



US00D423341S

United States Patent [19]
Swanstrom

[11] **Patent Number: Des. 423,341**
[45] **Date of Patent: ** Apr. 25, 2000**

[54] **LOBED FASTENER**

Machine Design, p. 325, bolt item A located at right of page, Mar. 1963.

[75] Inventor: **Kenneth A. Swanstrom**, Doylestown, Pa.

Primary Examiner—Holly Baynham
Attorney, Agent, or Firm—Gregory J. Gore

[73] Assignee: **Penn Engineering & Manufacturing Corp.**, Danboro, Pa.

[**] Term: **14 Years**

[57] **CLAIM**

The ornamental design for a lobed fastener, as shown and described.

[21] Appl. No.: **29/077,633**

[22] Filed: **Sep. 29, 1997**

DESCRIPTION

[51] **LOC (6) Cl.** **08-08**

FIG. 1 is a bottom front isometric perspective view of the lobed fastener of the present invention;

[52] **U.S. Cl.** **D8/387**

FIG. 2 is a side elevational view thereof with the opposite and adjacent sides being identical in appearance; and,

[58] **Field of Search** D8/382; 411/403, 411/480, 484, 347, 352, 353, 107-108

FIG. 3 is a bottom plan view thereof.

[56] **References Cited**

PUBLICATIONS

The broken line showing of a bolt fastener is for illustrative purposes only and forms no part of the claim design.

Outwater Plastics, p. 303, cap glide lobes in center of page, Jul. 1983.

Machine Design, p. 185 locknut, located at right of page, Mar. 1963.

1 Claim, 1 Drawing Sheet

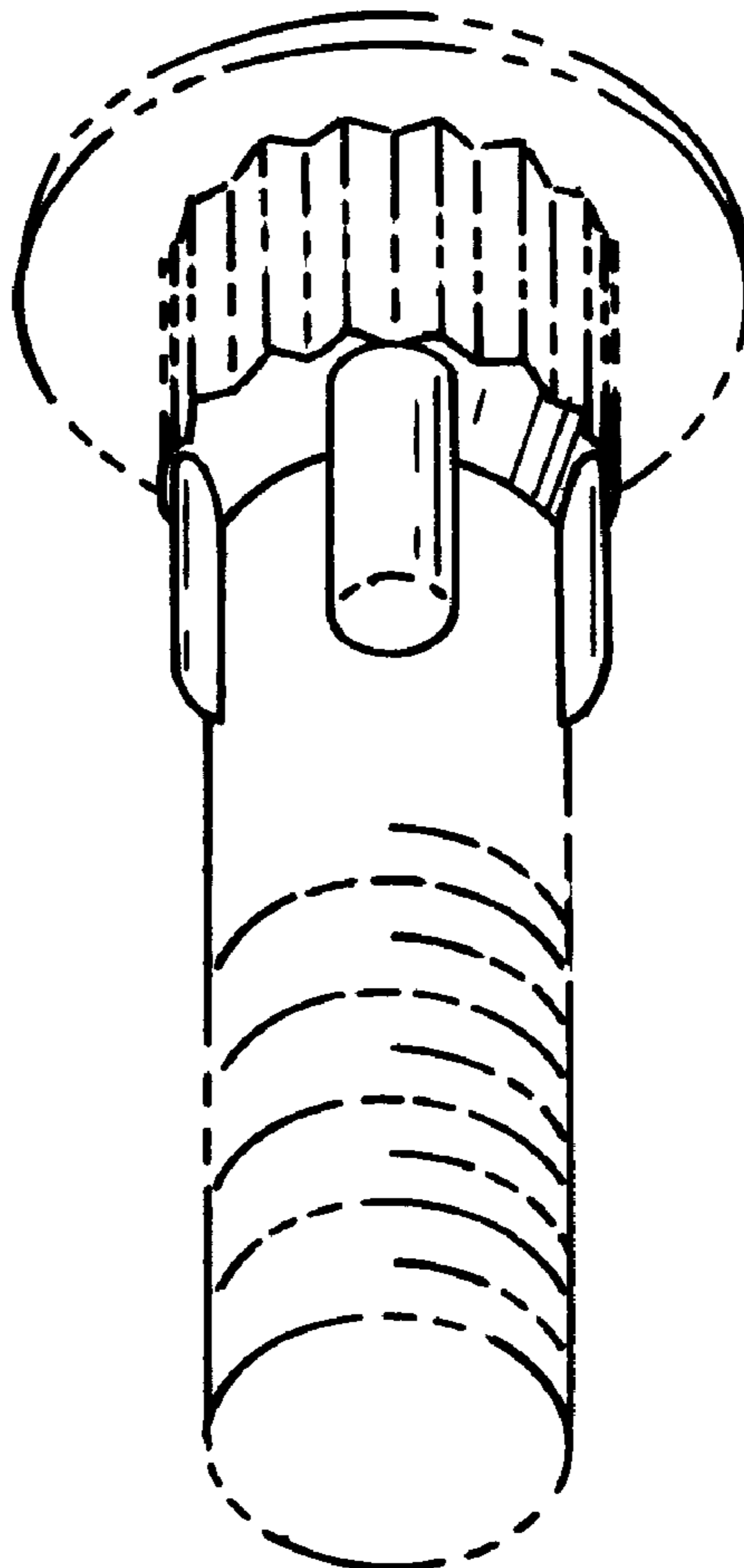


FIG. 1

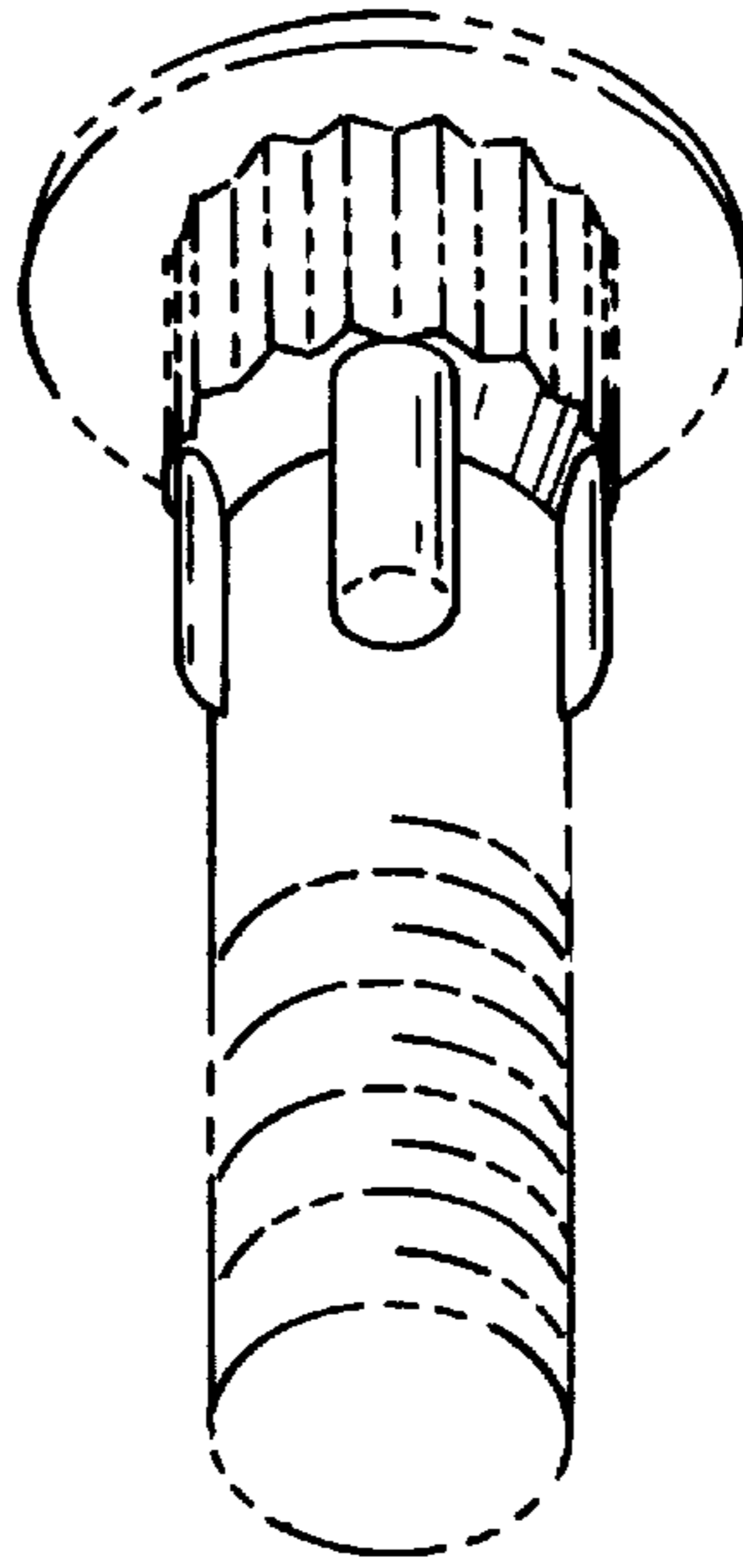


FIG. 2

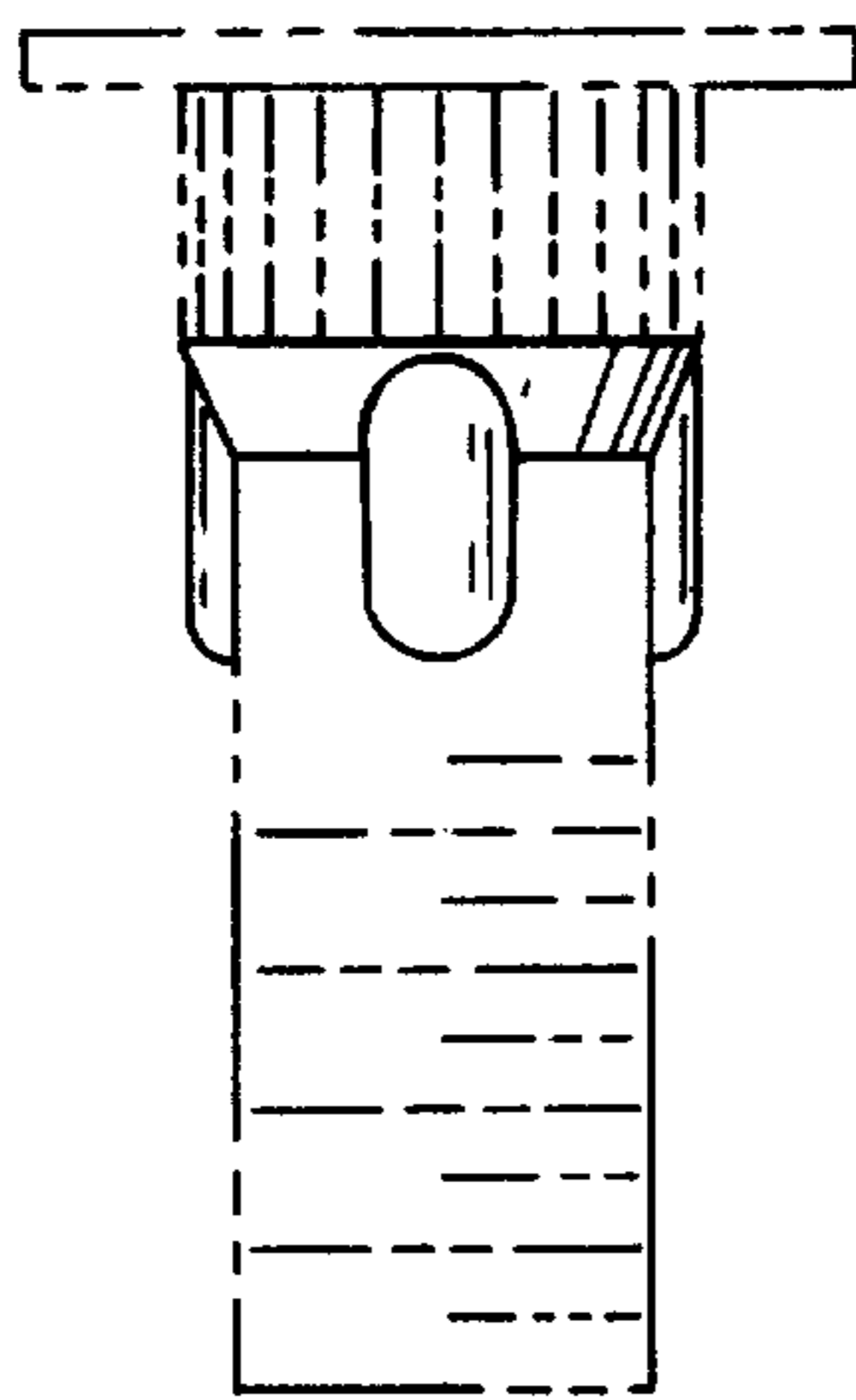


FIG. 3

