



US00D423338S

United States Patent [19] Laga

[11] **Patent Number: Des. 423,338**

[45] **Date of Patent: ** Apr. 25, 2000**

[54] **ADJUSTABLE OVERHEAD STORAGE HOOK**

1,226,845 5/1917 Benn 248/340 X
1,737,858 12/1929 Martin 248/300
2,957,672 10/1960 Logan 248/317

[75] Inventor: **Kenneth Laga**, Emmaus, Pa.

[73] Assignee: **Lehigh Consumer Products Corporation**, Macungie, Pa.

Primary Examiner—Holly Baynham
Attorney, Agent, or Firm—Samuels, Gauthier & Stevens

[**] Term: **14 Years**

[57] **CLAIM**

[21] Appl. No.: **29/103,890**

The ornamental design for an adjustable overhead storage hook, as shown and described.

[22] Filed: **Apr. 22, 1999**

DESCRIPTION

[51] **LOC (6) Cl.** **08-05**

FIG. 1 is an isometric view of an adjustable overhead storage hook;

[52] **U.S. Cl.** **D8/372**

FIG. 2 is a top view of FIG. 1;

[58] **Field of Search** D8/372, 367; D6/317,
D6/411; 211/31, 66, 113, 117; 248/302,
303, 340, 339

FIG. 3 is a front view, the back view being a mirror image thereof;

FIG. 4 is a left side view, the right side view being a mirror image thereof; and,

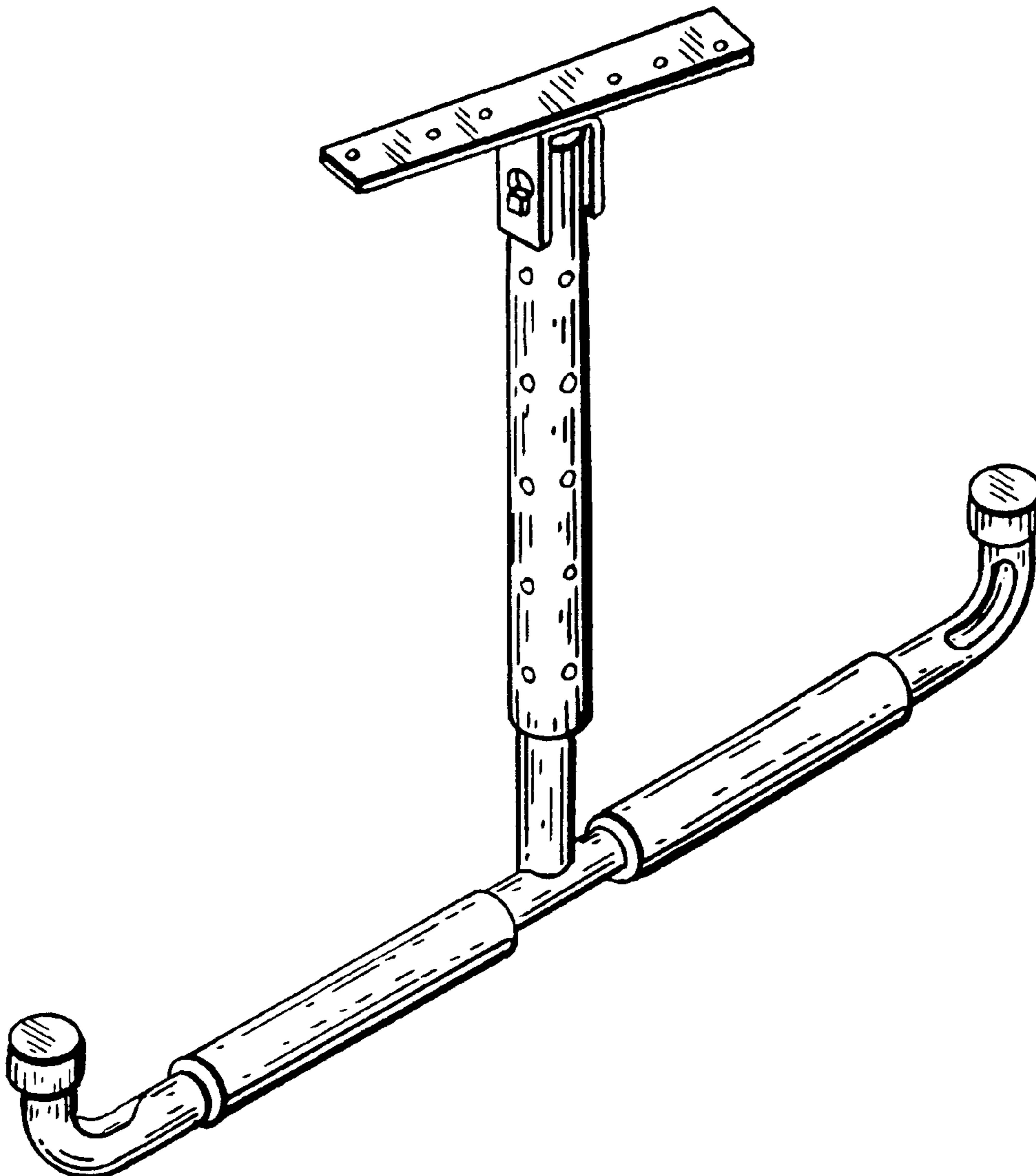
FIG. 5 is a bottom view.

[56] **References Cited**

U.S. PATENT DOCUMENTS

D. 380,666 7/1997 Sheftel D8/372

1 Claim, 1 Drawing Sheet



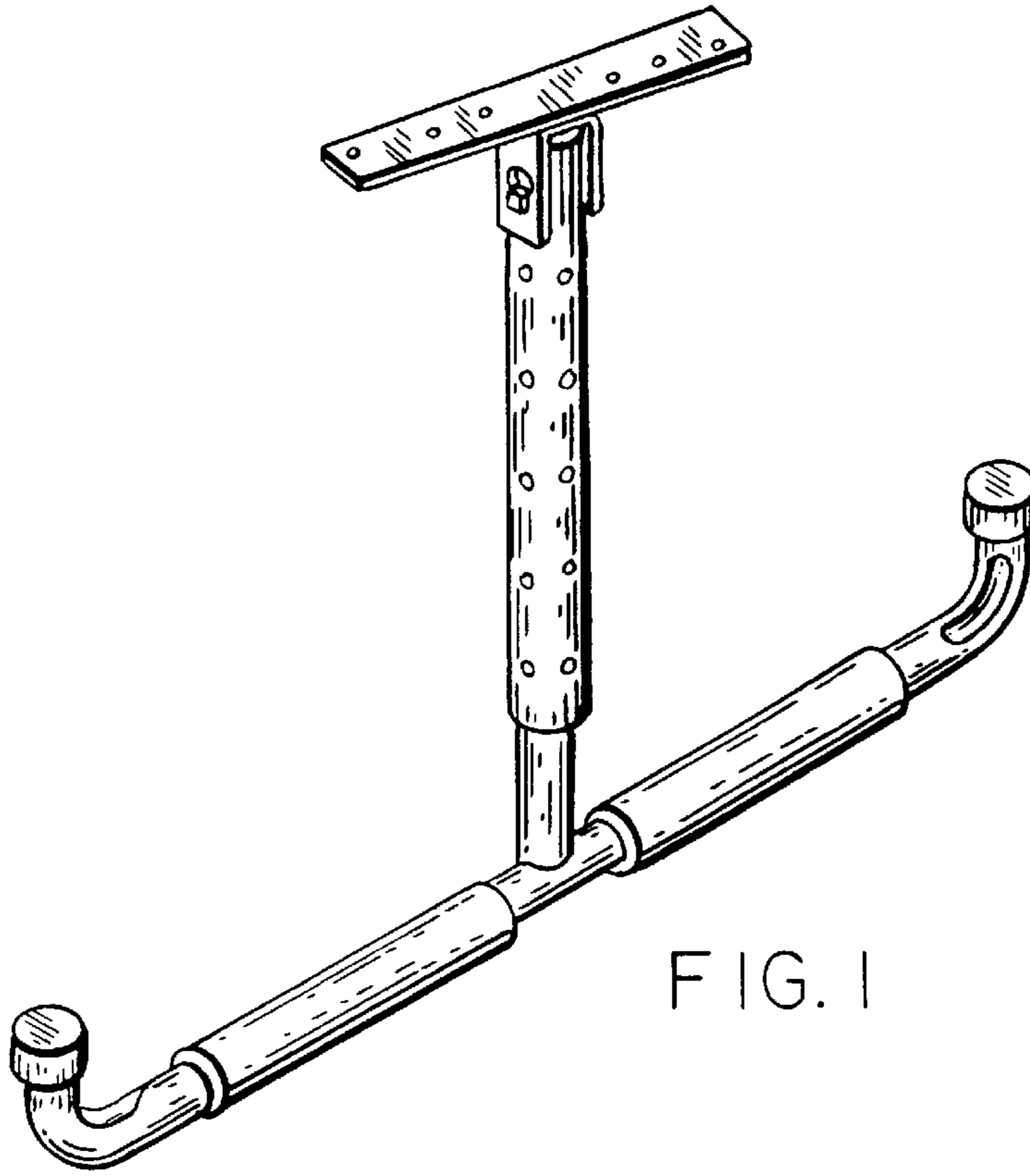


FIG. 1

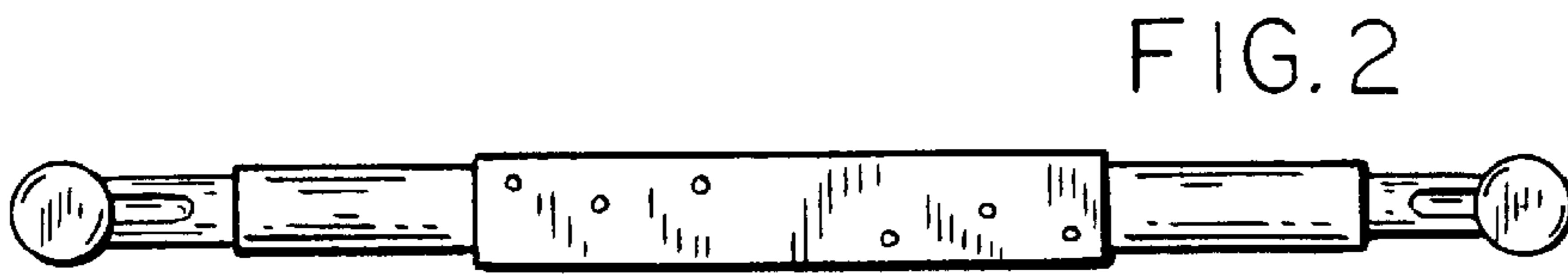


FIG. 2

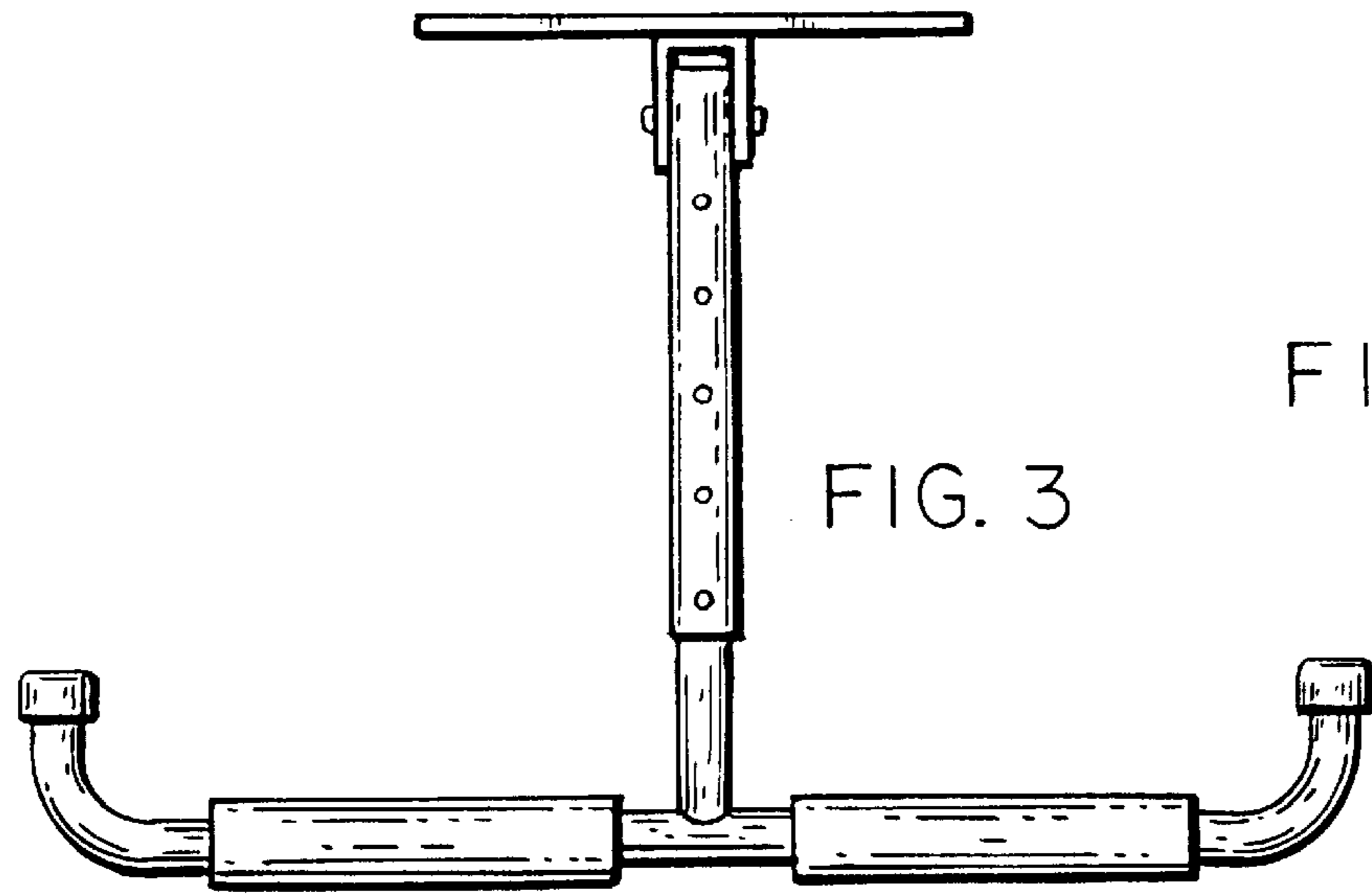


FIG. 3

FIG. 4



FIG. 5