



US00D423336S

# United States Patent [19] Gray

[11] **Patent Number: Des. 423,336**

[45] **Date of Patent: \*\* Apr. 25, 2000**

[54] **CEILING BEAM CLIP**

[75] Inventor: **Robert Gray**, Brook Park, Ohio

[73] Assignee: **Fasteners For Retail, Inc.**, Cleveland, Ohio

[\*\*] Term: **14 Years**

[21] Appl. No.: **29/103,112**

[22] Filed: **Apr. 8, 1999**

[51] **LOC (6) Cl.** ..... **08-05**

[52] **U.S. Cl.** ..... **D8/370**

[58] **Field of Search** ..... D8/370, 383; 248/317, 248/302-303, 339; 52/506.06, 712, 718.09

4,099,299 7/1978 Bruggert et al. .... 248/317 X  
4,135,692 1/1979 Ferguson .  
4,667,913 5/1987 Peelle et al. .  
5,768,843 6/1998 Dziedzic .

### OTHER PUBLICATIONS

The 1999 Semasys Product Catalog, Cover and p. 89.

*Primary Examiner*—Holly Baynham

*Attorney, Agent, or Firm*—Fay, Sharpe, Fagan, Minnich & McKee, LLP

### [57] CLAIM

The ornamental design for a ceiling beam clip, as shown and described.

### DESCRIPTION

FIG. 1 is a perspective view of a ceiling beam clip showing my new design;

FIG. 2 is a top plan view thereof;

FIG. 3 is a side elevational view thereof from the right side, with the left side elevational view being identical thereto;

FIG. 4 is a front elevational view thereof, with the rear elevational view being identical thereto; and,

FIG. 5 is a bottom plan view thereof.

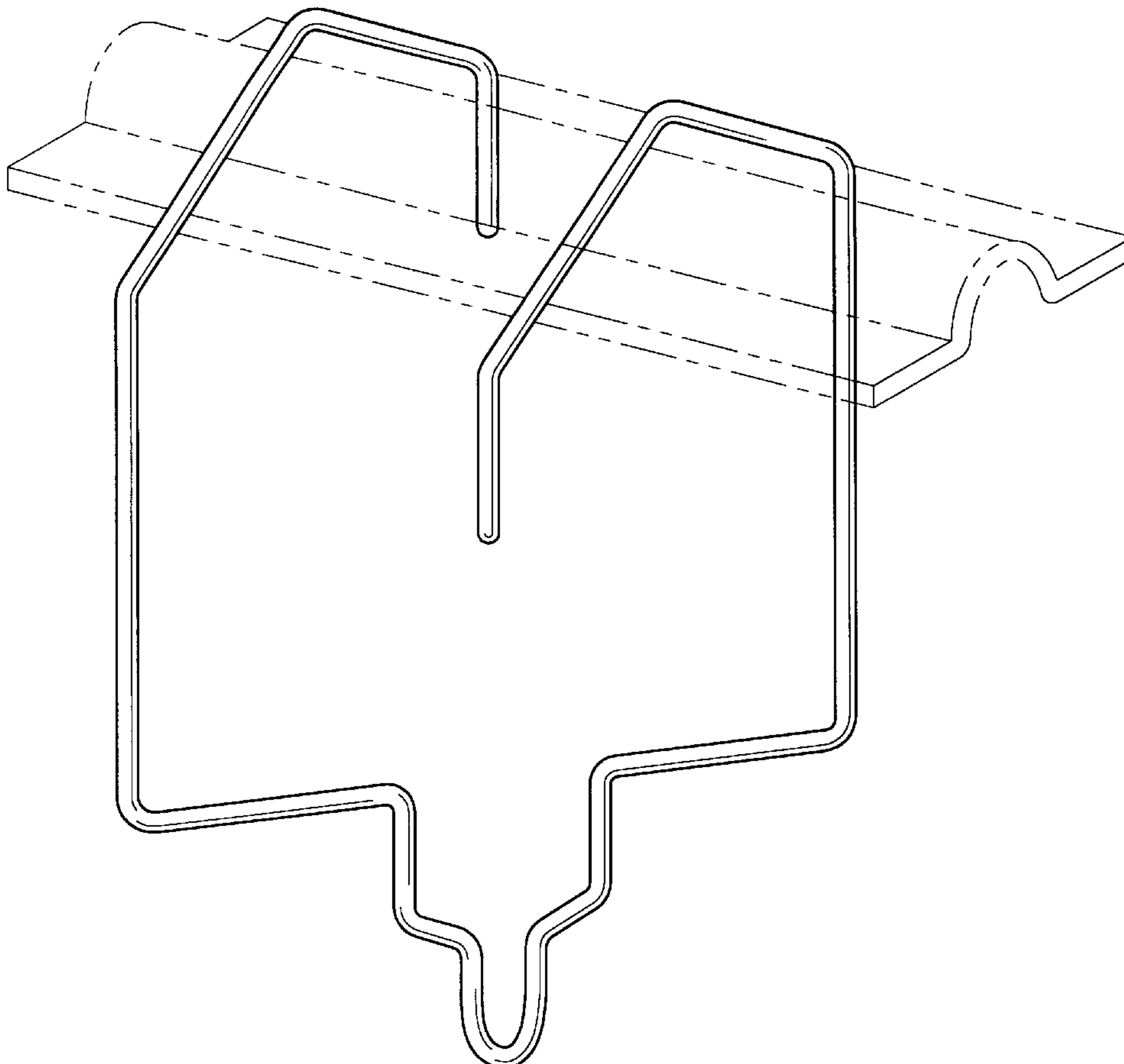
The broken line showing of a ceiling beam is for illustrative purposes only and forms no part of the claimed design.

### [56] References Cited

#### U.S. PATENT DOCUMENTS

499,549	6/1893	Hunter et al. .	
1,623,919	4/1927	Hagen .	
1,967,134	7/1934	Short .....	248/61
2,505,306	4/1950	Schmidt .	
3,327,376	6/1967	Freeman et al. .	
3,748,808	7/1973	Sheppard et al. .	
3,936,913	2/1976	Weissman .	
3,952,985	4/1976	Davenport .	
4,073,458	2/1978	Sease .	
4,074,885	2/1978	Hacker, Jr. .	

**1 Claim, 3 Drawing Sheets**



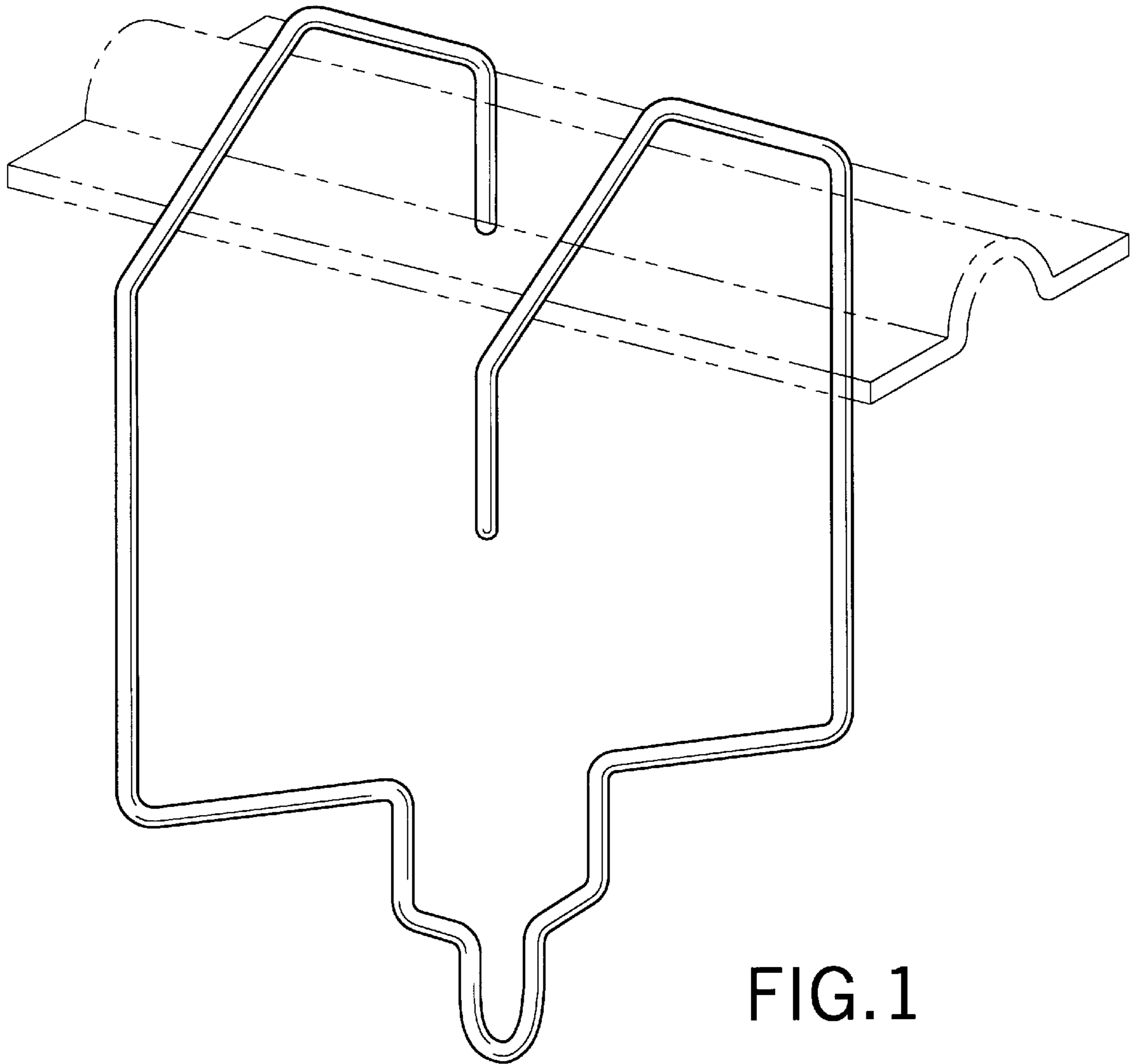


FIG.2

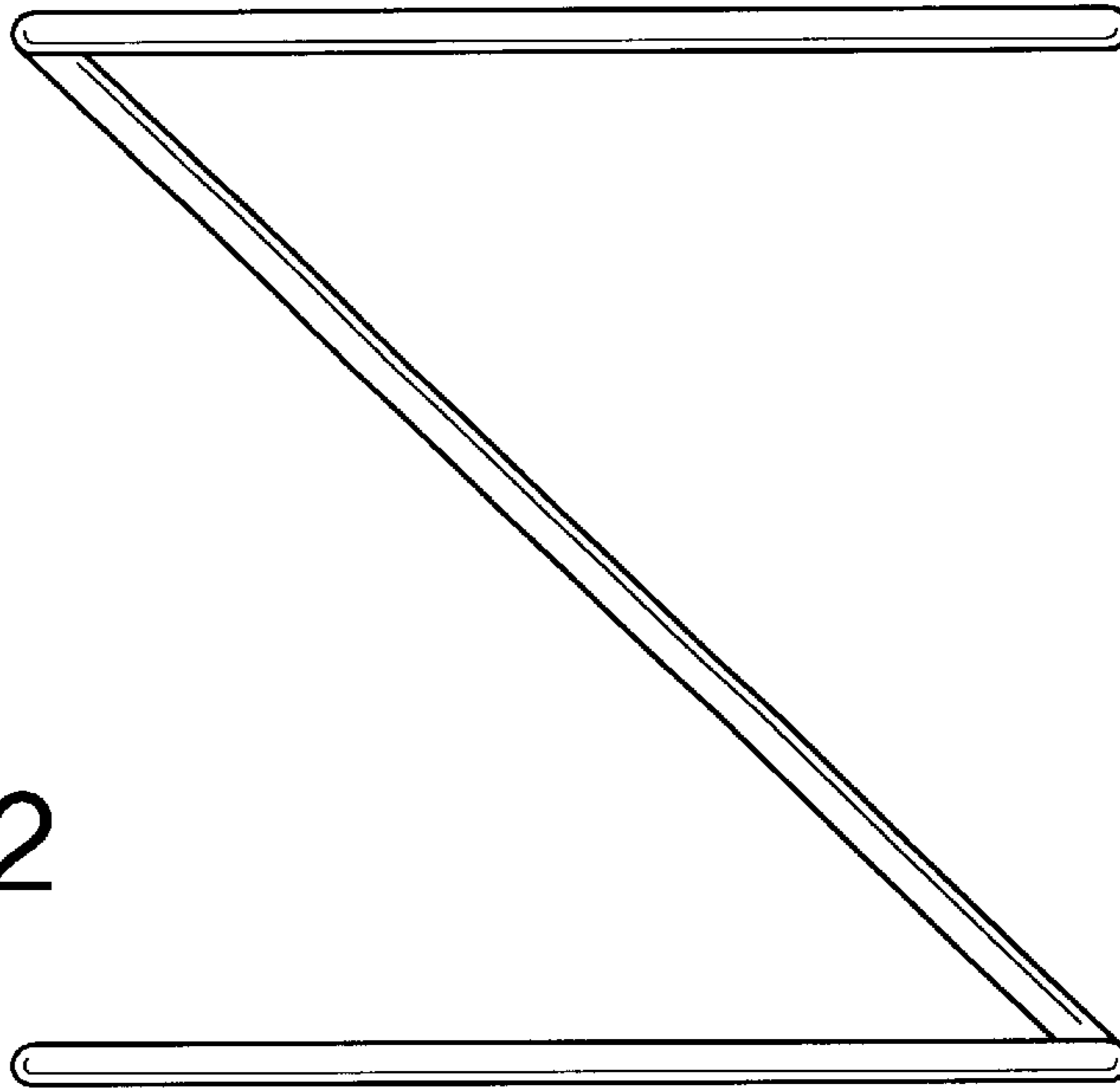
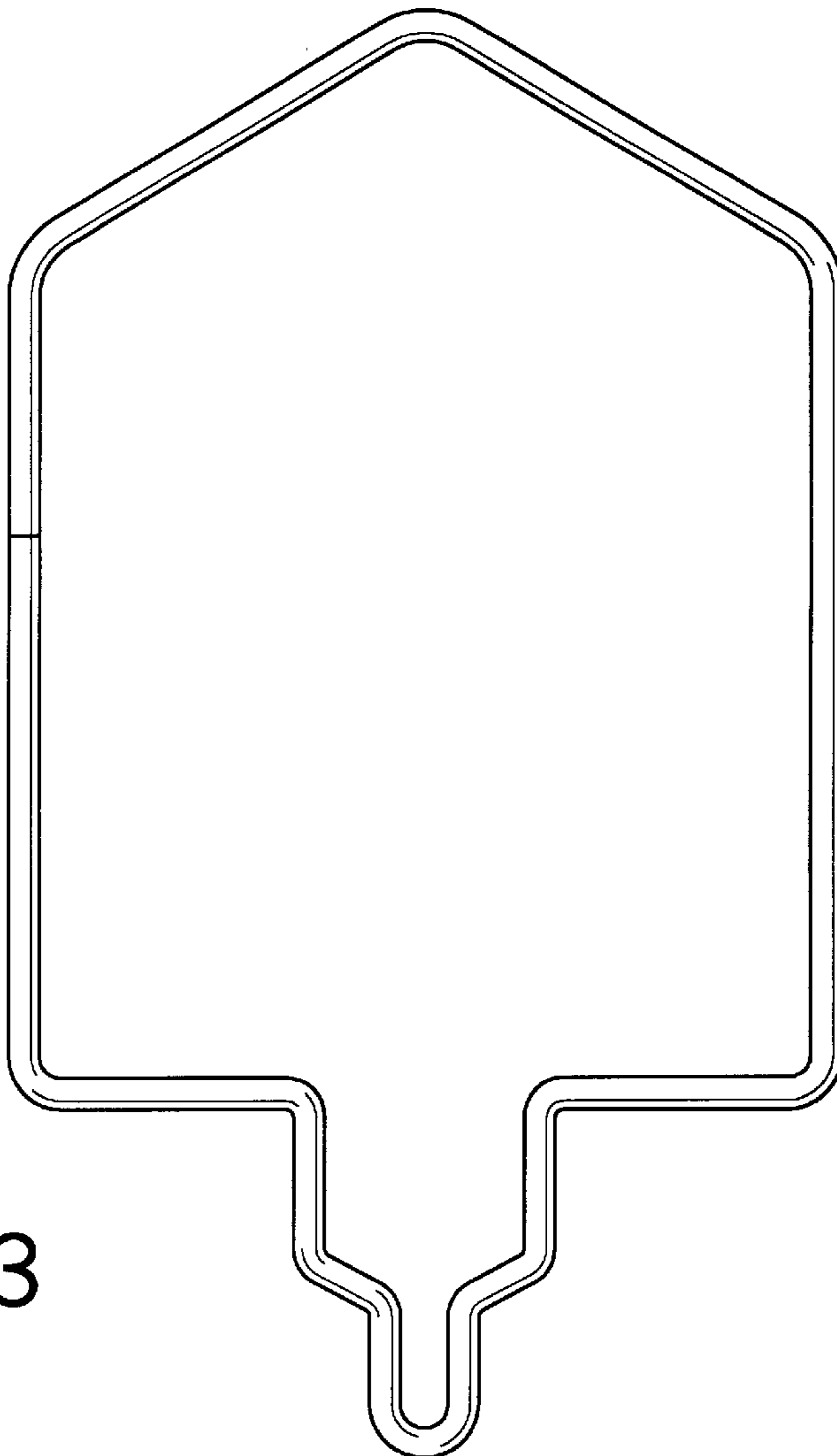


FIG.3



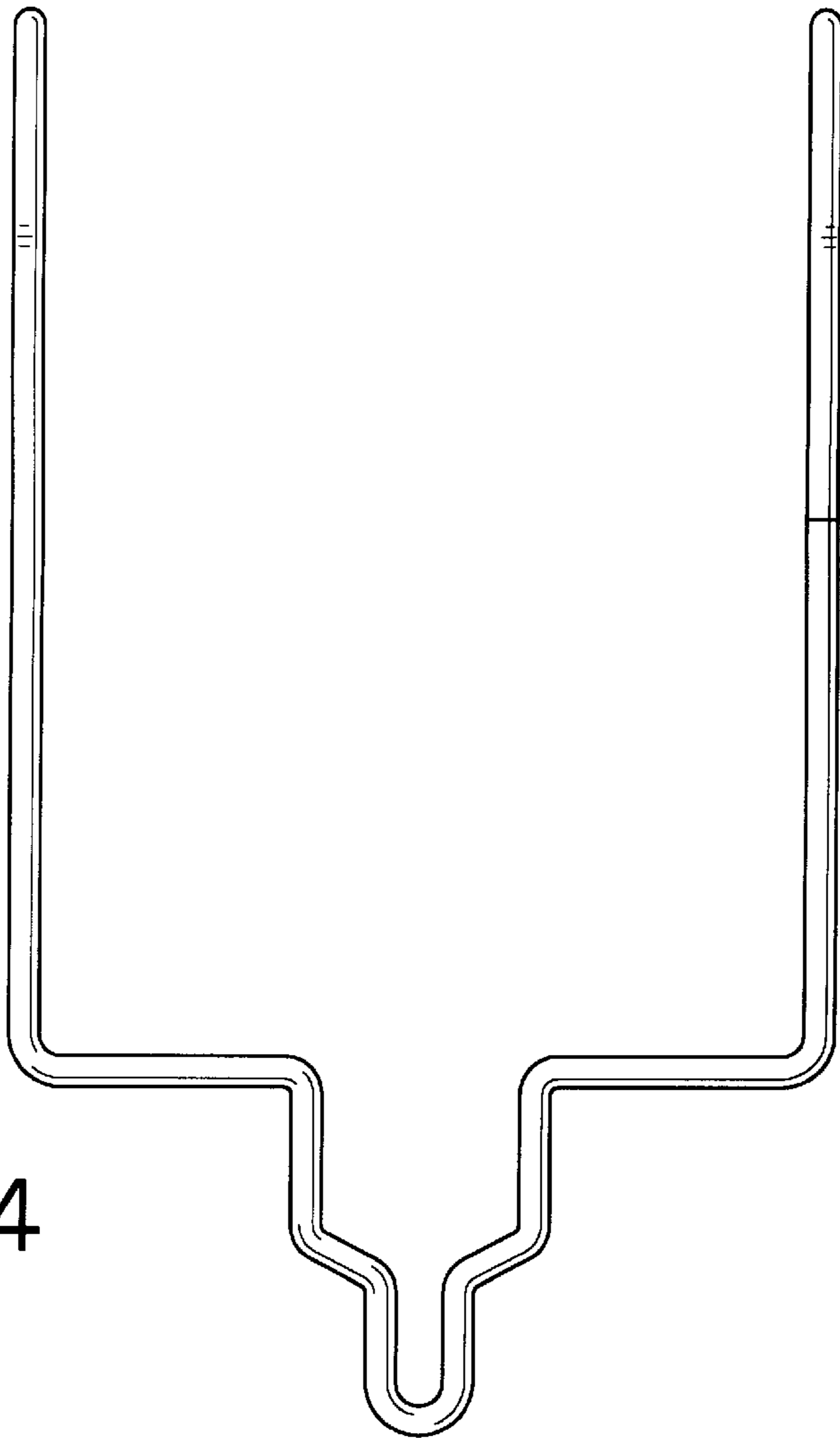


FIG. 4

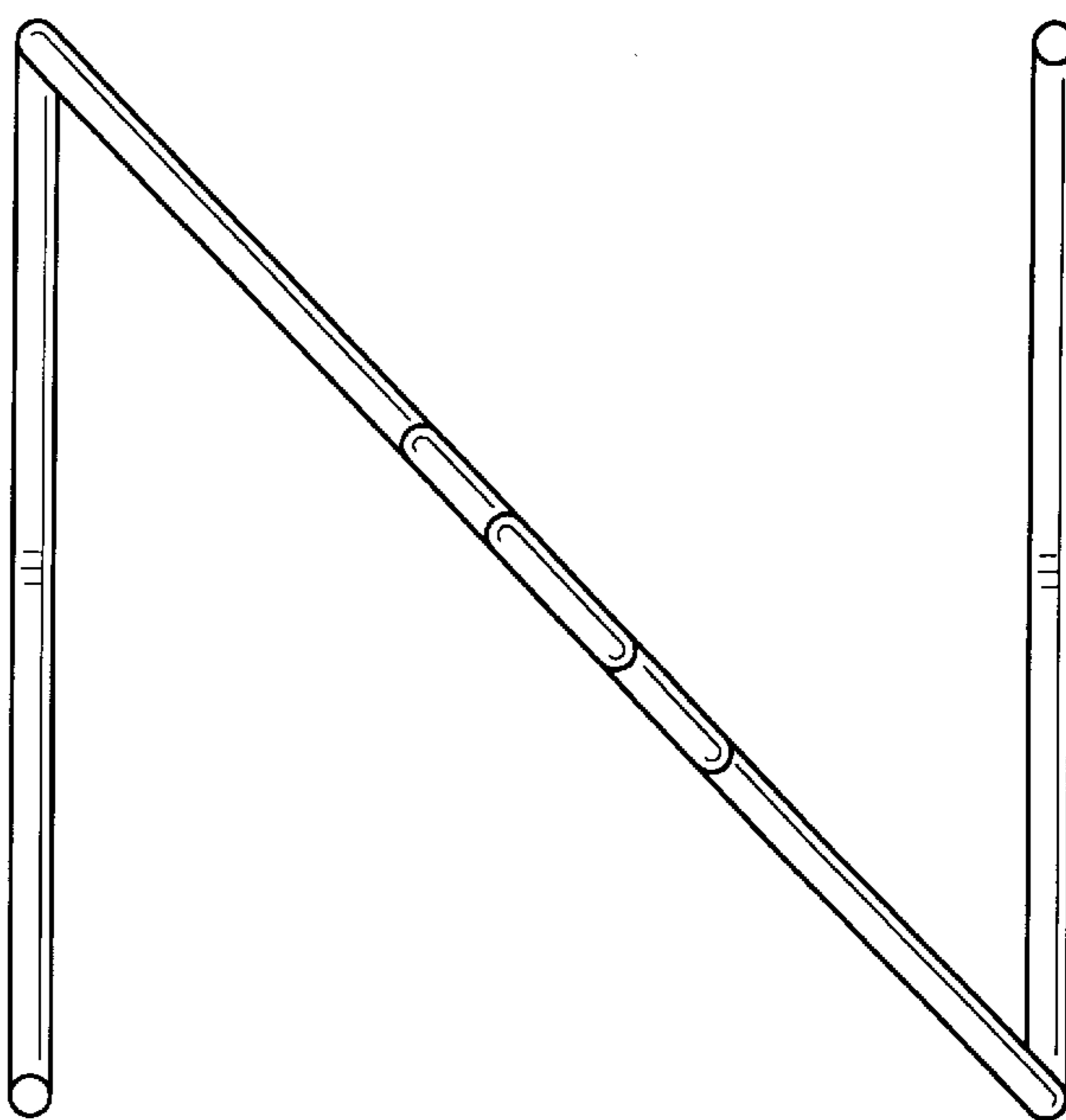


FIG. 5