



US00D423332S

United States Patent [19] Salter

[11] Patent Number: Des. 423,332

[45] Date of Patent: ** Apr. 25, 2000

[54] TIE-DOWN BELT REWIND CRANK

[76] Inventor: Timothy A. Salter, 440 Flynn Rd., Greer, S.C. 29651

[**] Term: 14 Years

[21] Appl. No.: 29/096,994

[22] Filed: Nov. 25, 1998

[51] LOC (6) Cl. 08-05

[52] U.S. Cl. D8/359

[58] Field of Search D8/359; 242/388, 242/407, 388.6, 129.8, 405.3; 254/243

[56] References Cited

U.S. PATENT DOCUMENTS

D. 307,239	4/1990	Topping	D8/359
D. 338,391	8/1993	Price	D8/359
D. 365,013	12/1995	Fujino	D8/359
1,380,748	6/1921	Stoppie .		
3,574,342	4/1971	Berns	254/243
3,910,558	10/1975	Brucker et al. .		
4,278,217	7/1981	Blackwell	242/268
5,401,216	3/1995	Fujikawa	474/273
5,433,565	7/1995	Chan	410/103

OTHER PUBLICATIONS

Kinedyne Corporation, 1998 Product Catalog, pp. 4 & 6.

Primary Examiner—Holly Baynham

Attorney, Agent, or Firm—Robert R. Reed; Cort Flint

[57] CLAIM

The ornamental design for a tie-down belt rewind crank, as shown and described.

DESCRIPTION

FIG. 1 is a perspective view of a tie-down belt rewind crank showing a first embodiment of my new design with the broken line showing of partial structure and a rewind belt being for illustrative purposes only and forming no part of the claimed design.

FIG. 2 is a side elevation view of said first embodiment thereof;

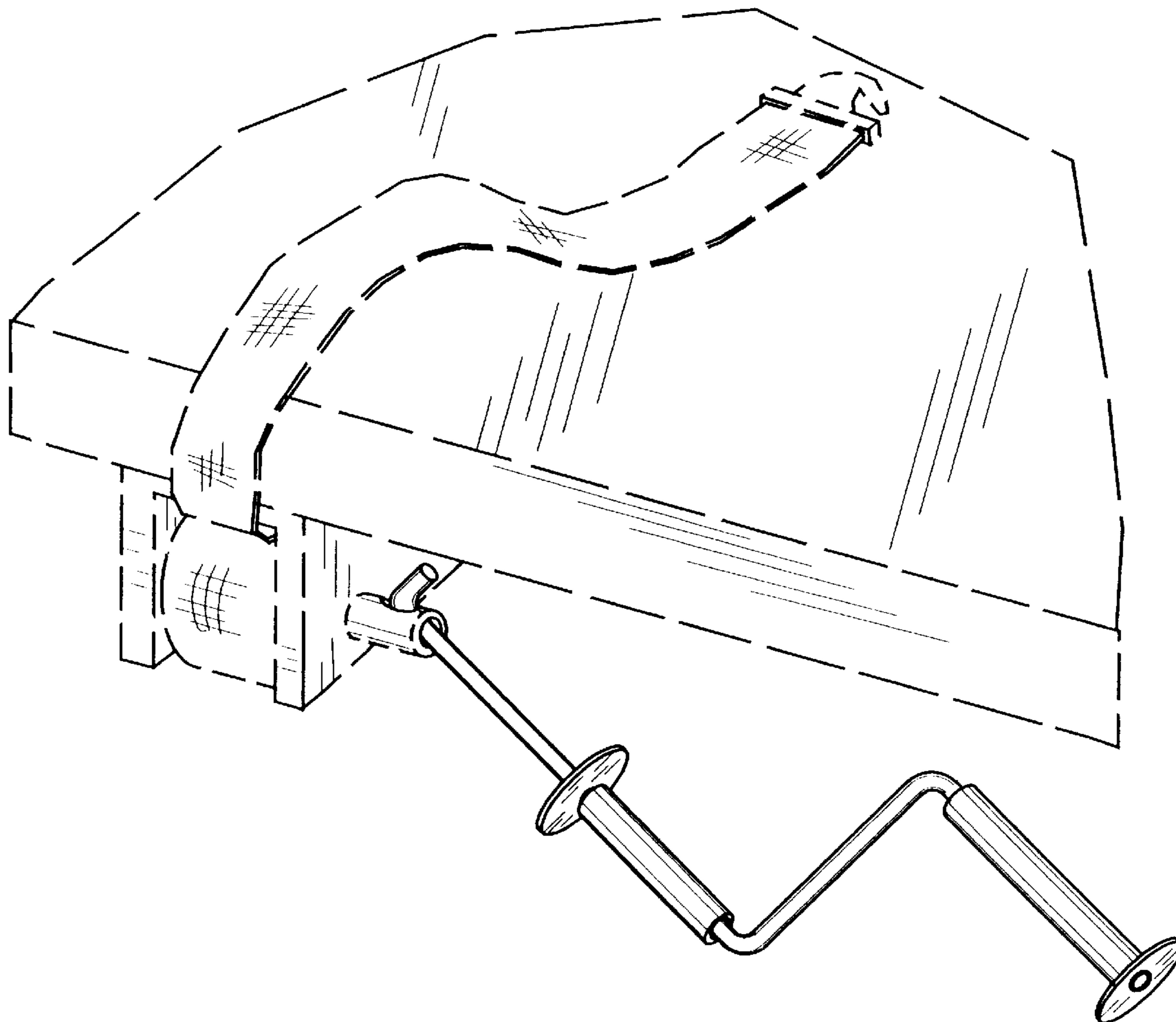
FIG. 3 is a top plan view of said first embodiment thereof;

FIG. 4 is a side elevation view of a tie-down belt rewind crank showing a second embodiment of my new design;

FIG. 5 is a top plan view of said second embodiment thereof; and,

FIG. 6 is an enlarged end elevation view of said second embodiment thereof;

1 Claim, 4 Drawing Sheets



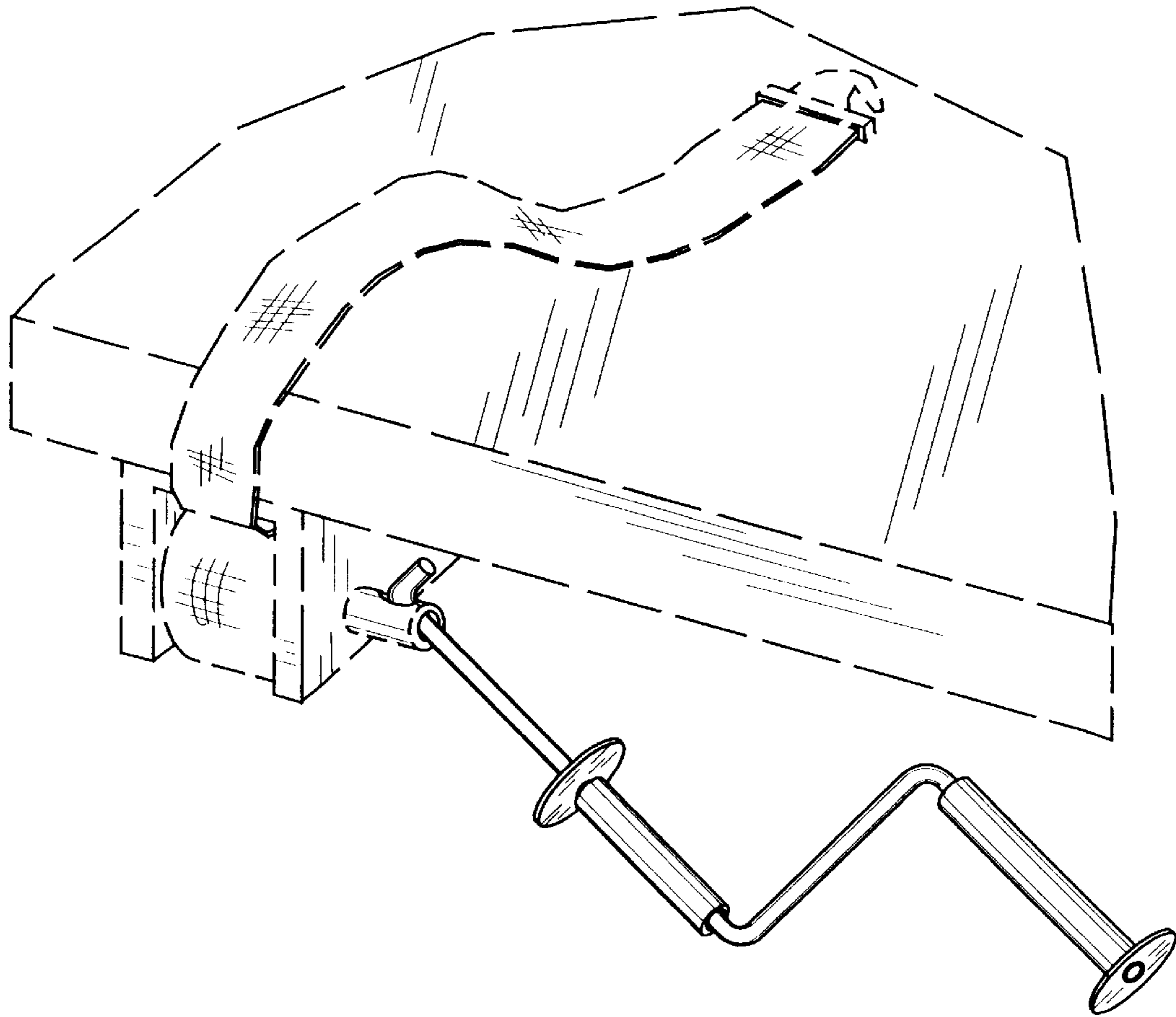


Fig. 1

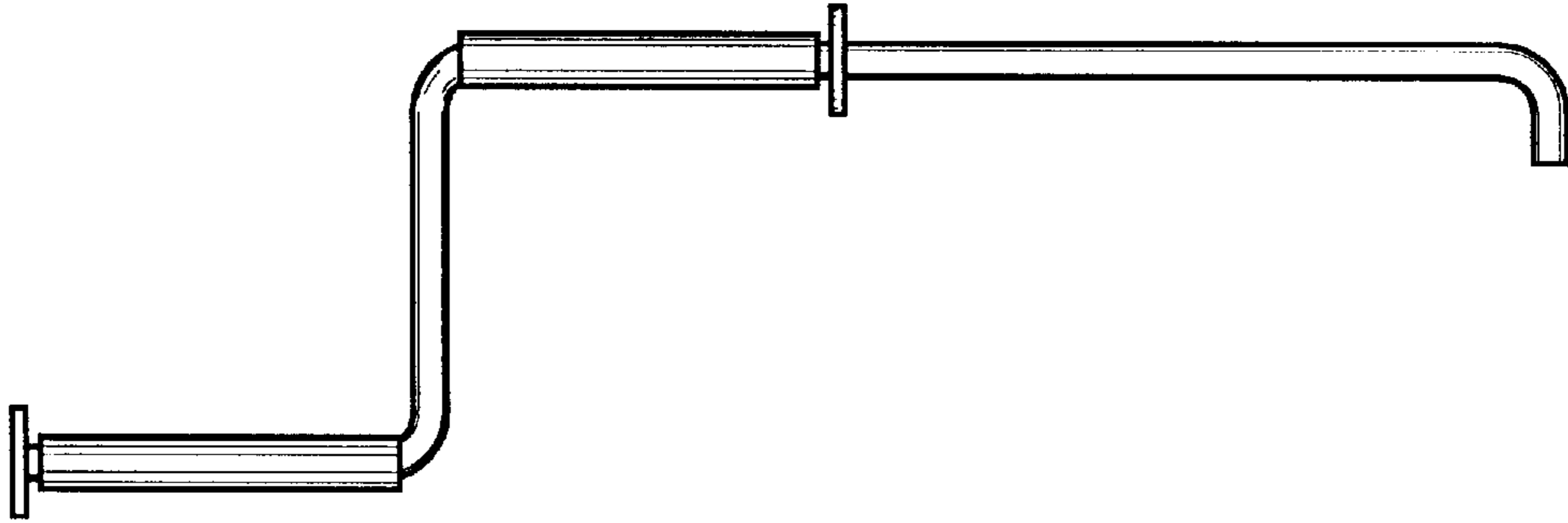


Fig. 2

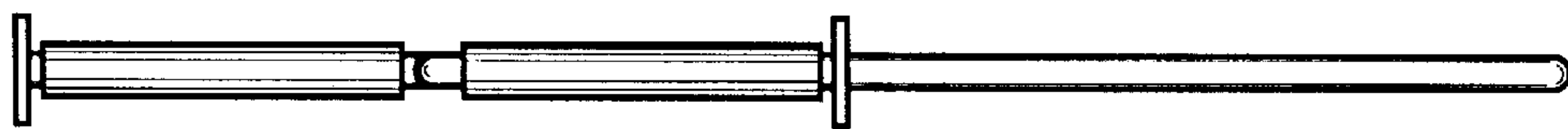


Fig. 3

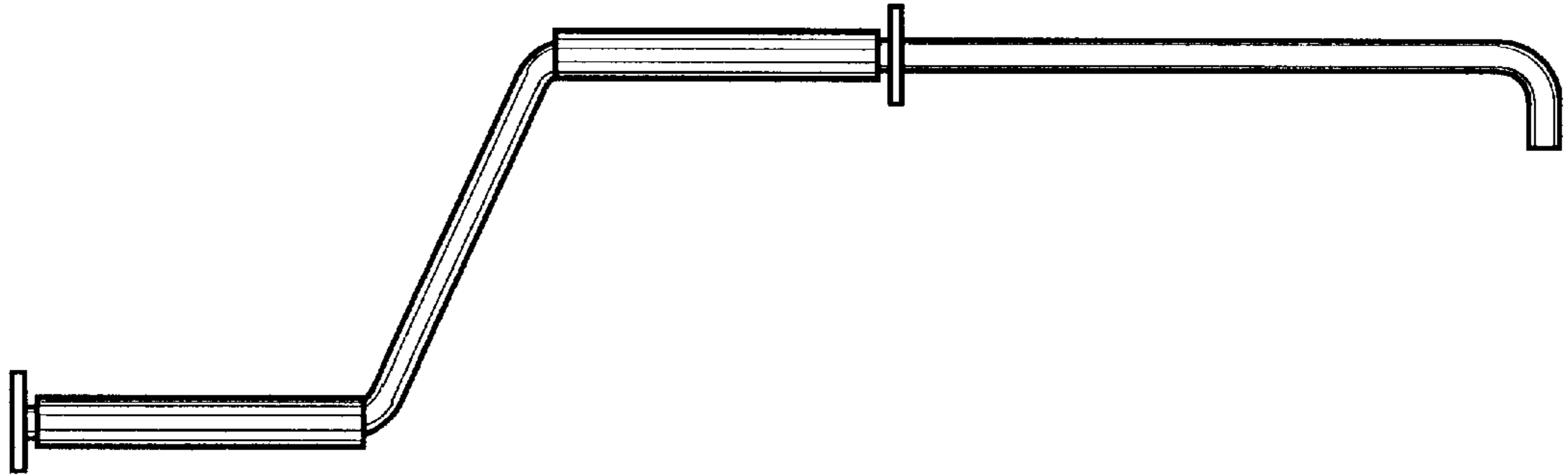


Fig. 4

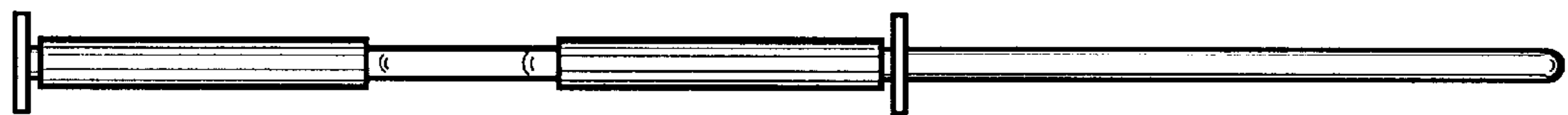


Fig. 5

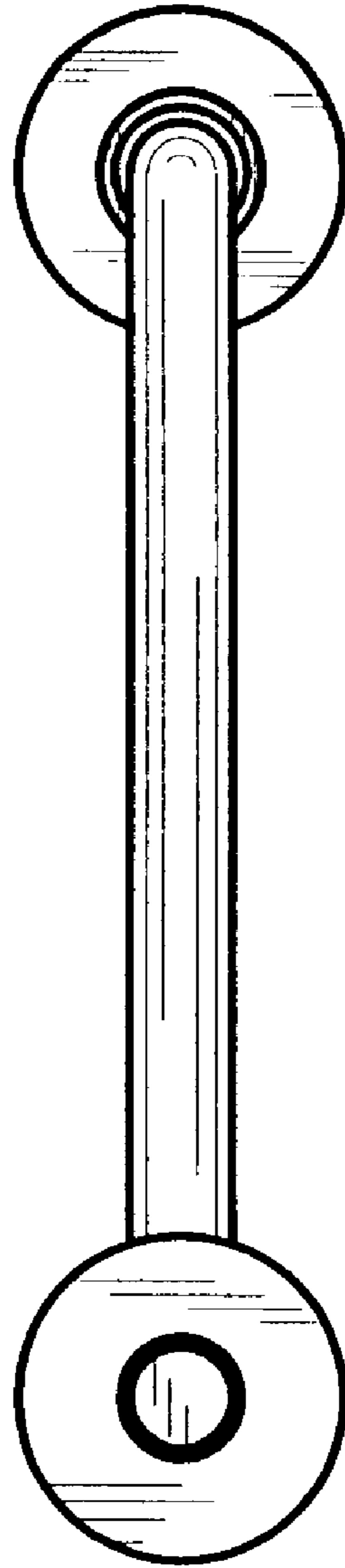


Fig. 6