



US00D423330S

United States Patent [19]

Potter et al.

[11] Patent Number: **Des. 423,330**

[45] Date of Patent: **** Apr. 25, 2000**

[54] **CABLE RETAINER**

3,968,323 7/1976 Blanchet 174/135

[75] Inventors: **Victor D. Potter**, Cumming; **Joseph A. Dukes**, Dawsonville, both of Ga.

Primary Examiner—Holly Baynham
Attorney, Agent, or Firm—Mark D. Hilliard; Robert A. McCann; Michael J. Turgeon

[73] Assignee: **Panduit Corp.**, Tinley Park, Ill.

[57] **CLAIM**

[**] Term: **14 Years**

The ornamental design for a cable retainer, as shown and described.

[21] Appl. No.: **29/106,040**

DESCRIPTION

[22] Filed: **Jun. 7, 1999**

[51] **LOC (6) Cl.** **08-05**

[52] **U.S. Cl.** **D8/356**

[58] **Field of Search** D8/356, 380, 394-396;
48/62-65, 72, 74.1-74.4, 68.1; 7/135

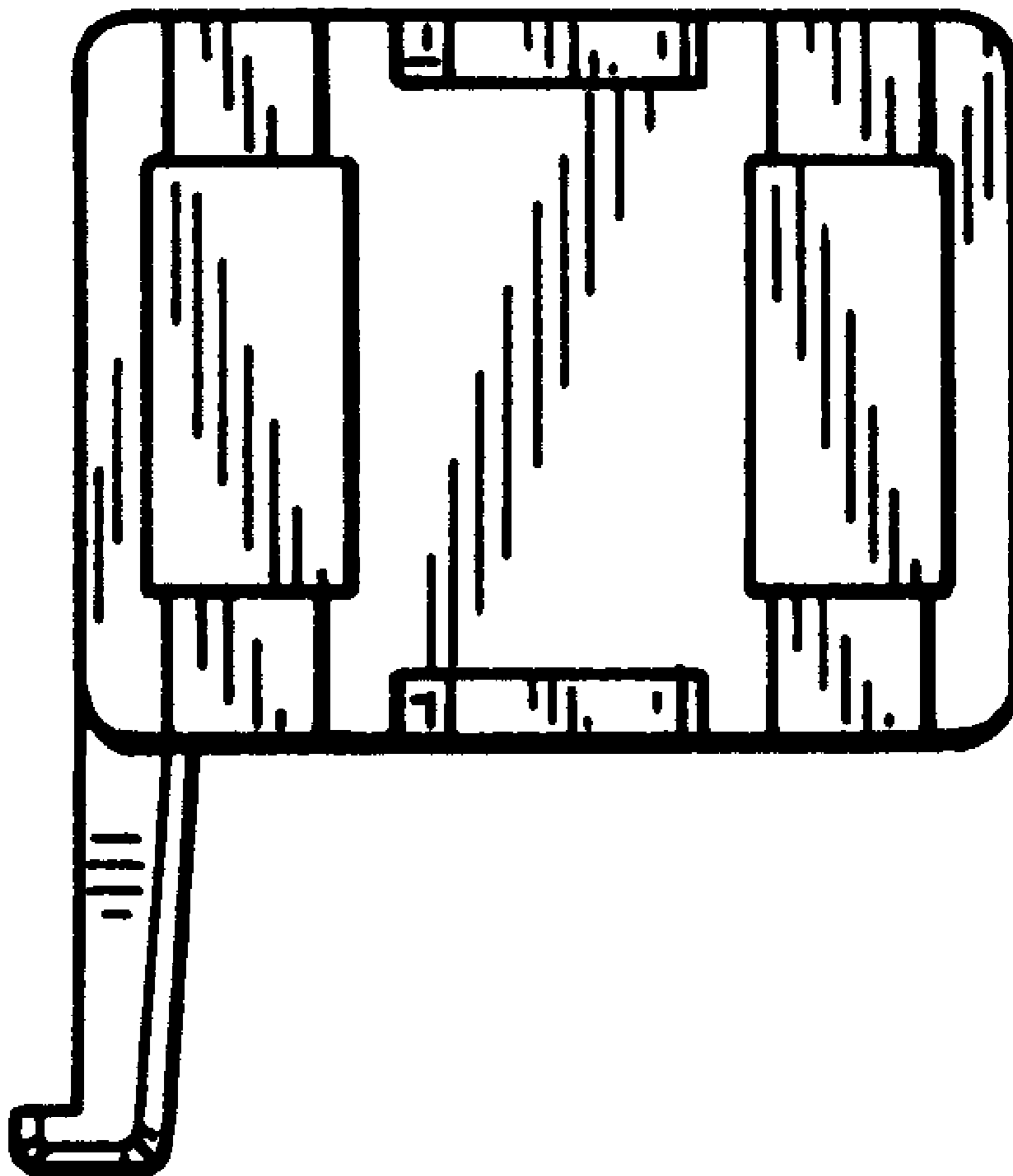
FIG. 1 is a front perspective view of a cable retainer;
FIG. 2 is a rear perspective view of the cable retainer of FIG. 1;
FIG. 3 is a front view of the cable retainer of FIG. 1;
FIG. 4 is a rear view of the cable retainer of FIG. 1;
FIG. 5 is a right side view of the cable retainer of FIG. 1;
FIG. 6 is a left side view of the cable retainer of FIG. 1;
FIG. 7 is a top view of the cable retainer of FIG. 1; and,
FIG. 8 is a bottom view of the cable retainer of FIG. 1.

[56] **References Cited**

U.S. PATENT DOCUMENTS

3,051,424 8/1962 Duhamel 248/62
3,964,707 6/1976 Lewis 248/68.1

1 Claim, 1 Drawing Sheet



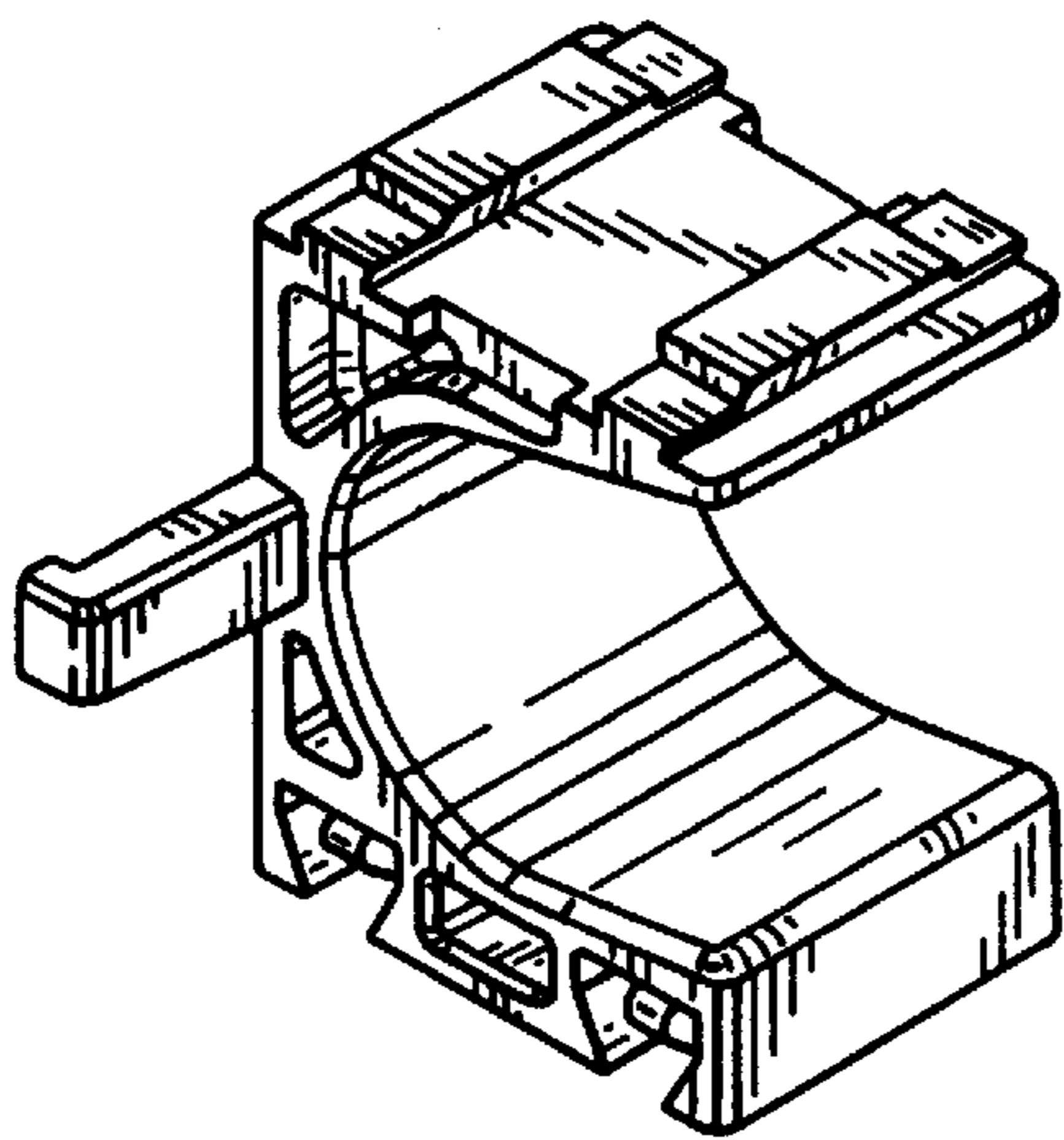


FIG. 1

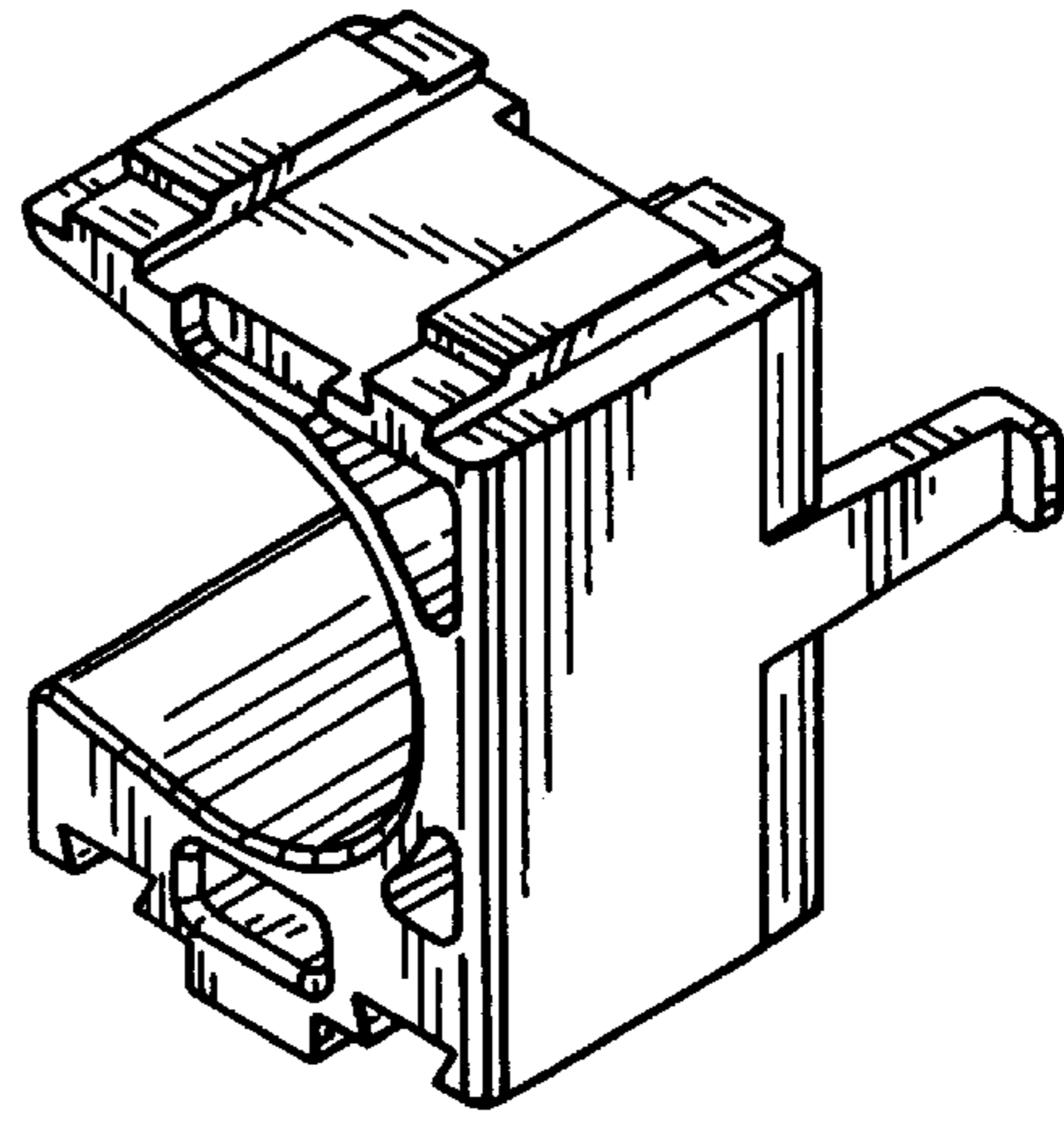


FIG. 2

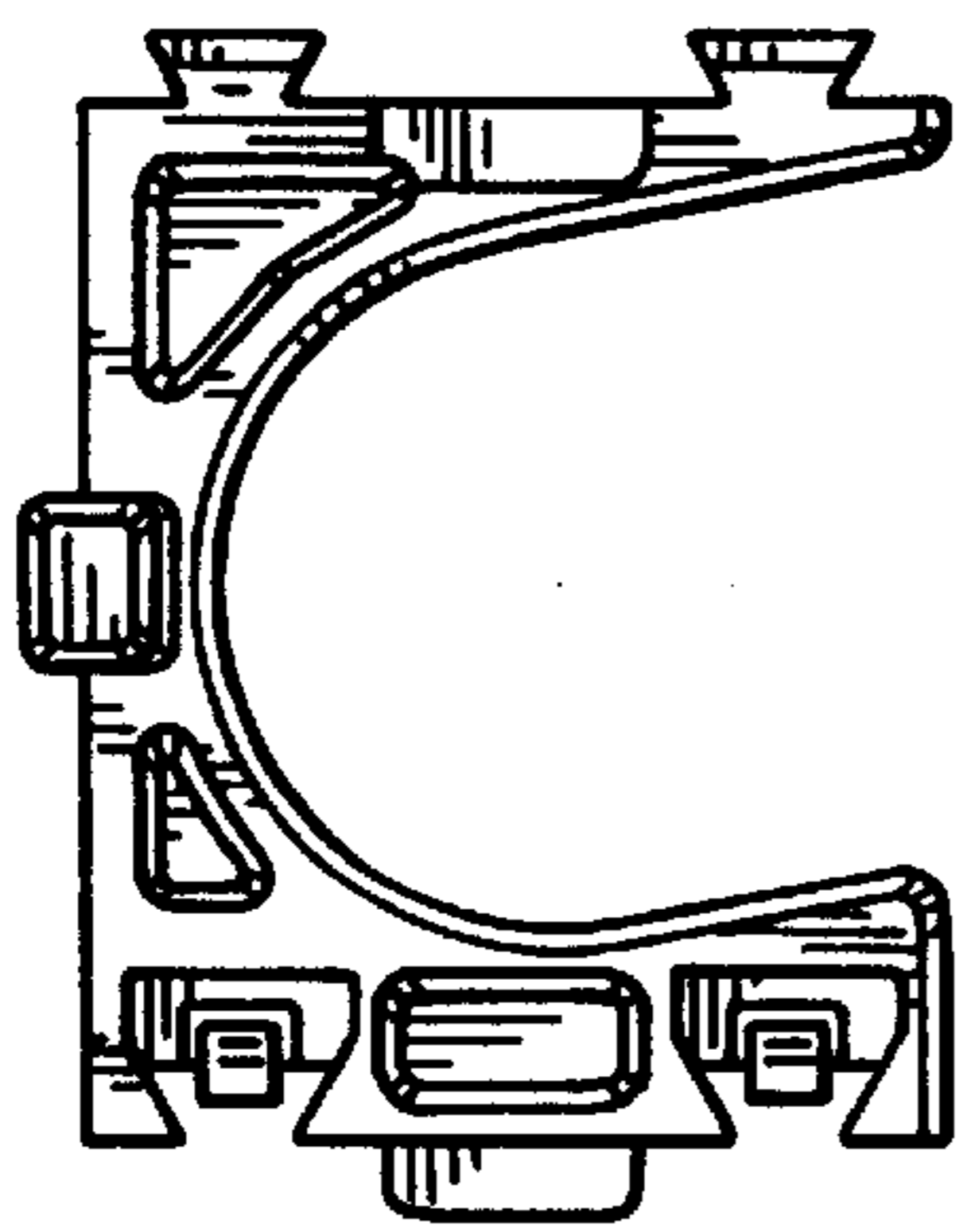


FIG. 3

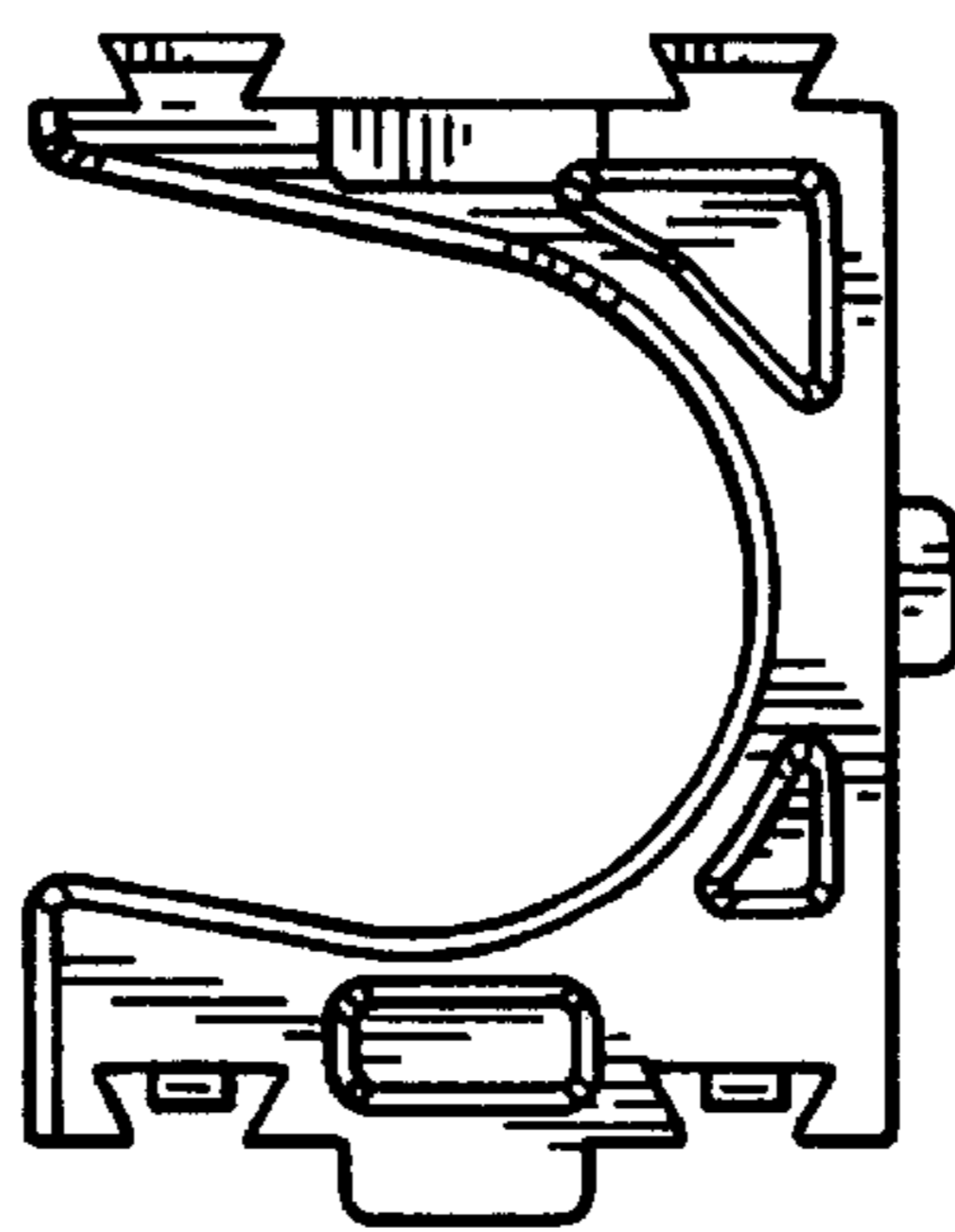


FIG. 4

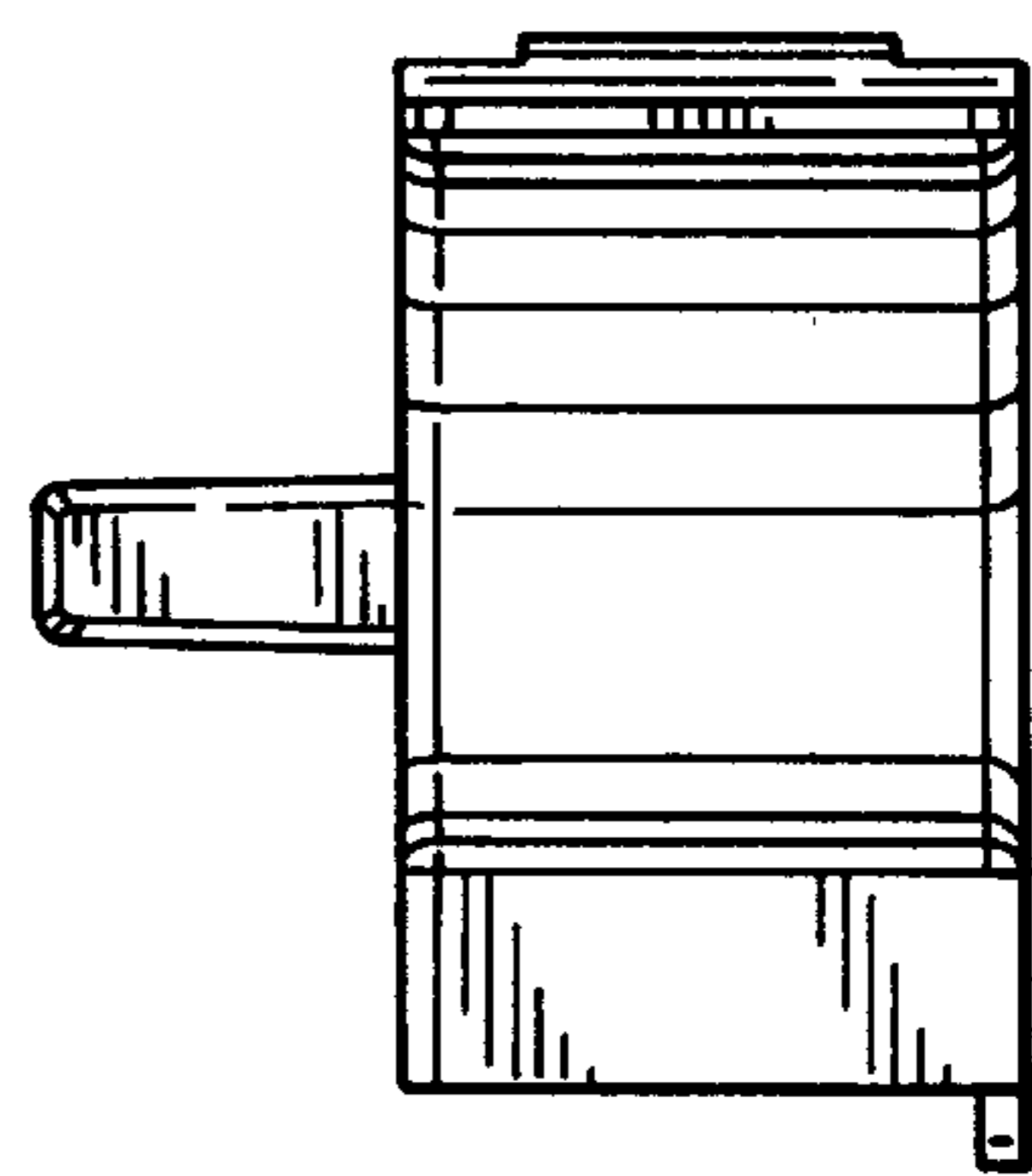


FIG. 5

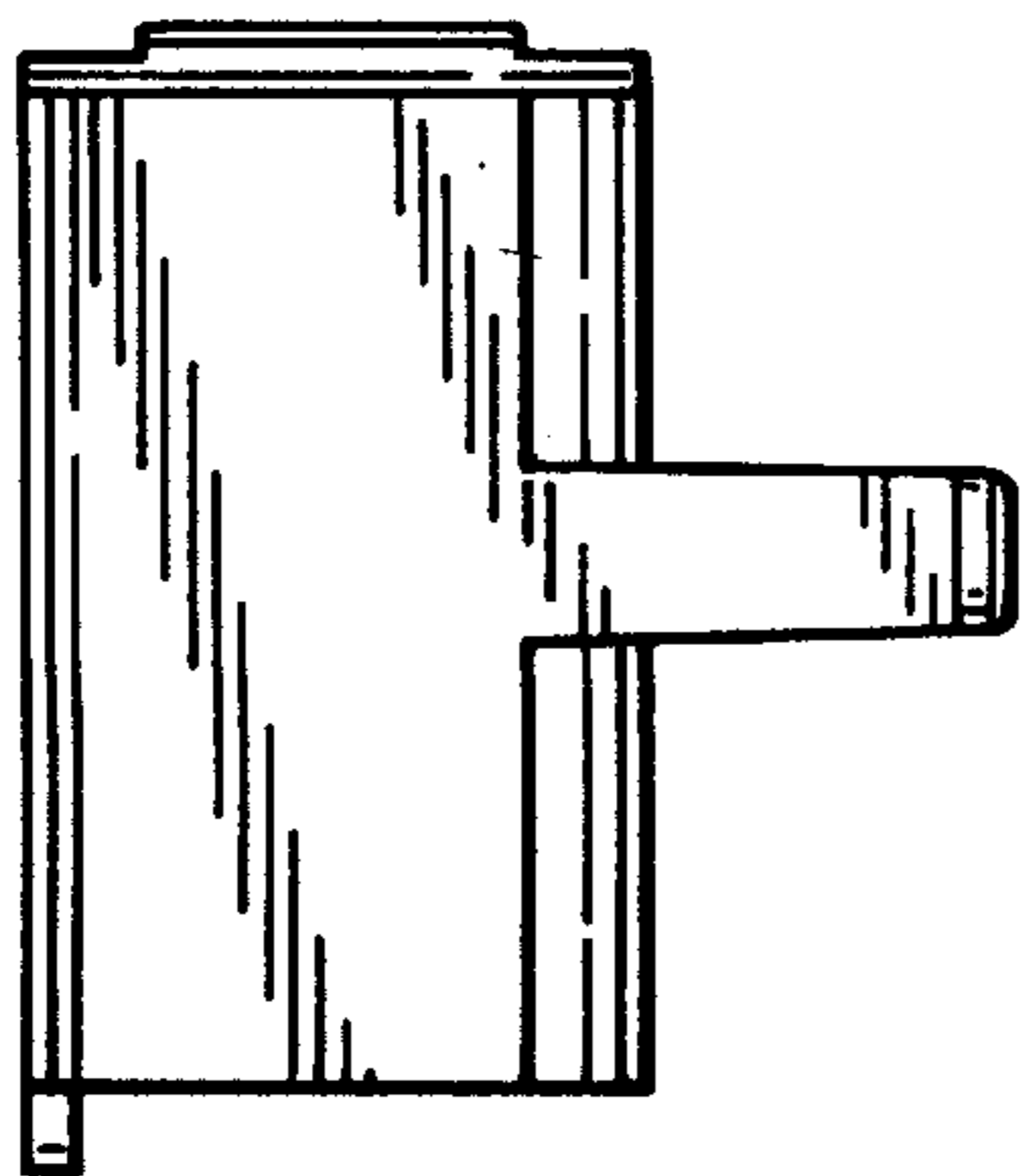


FIG. 6

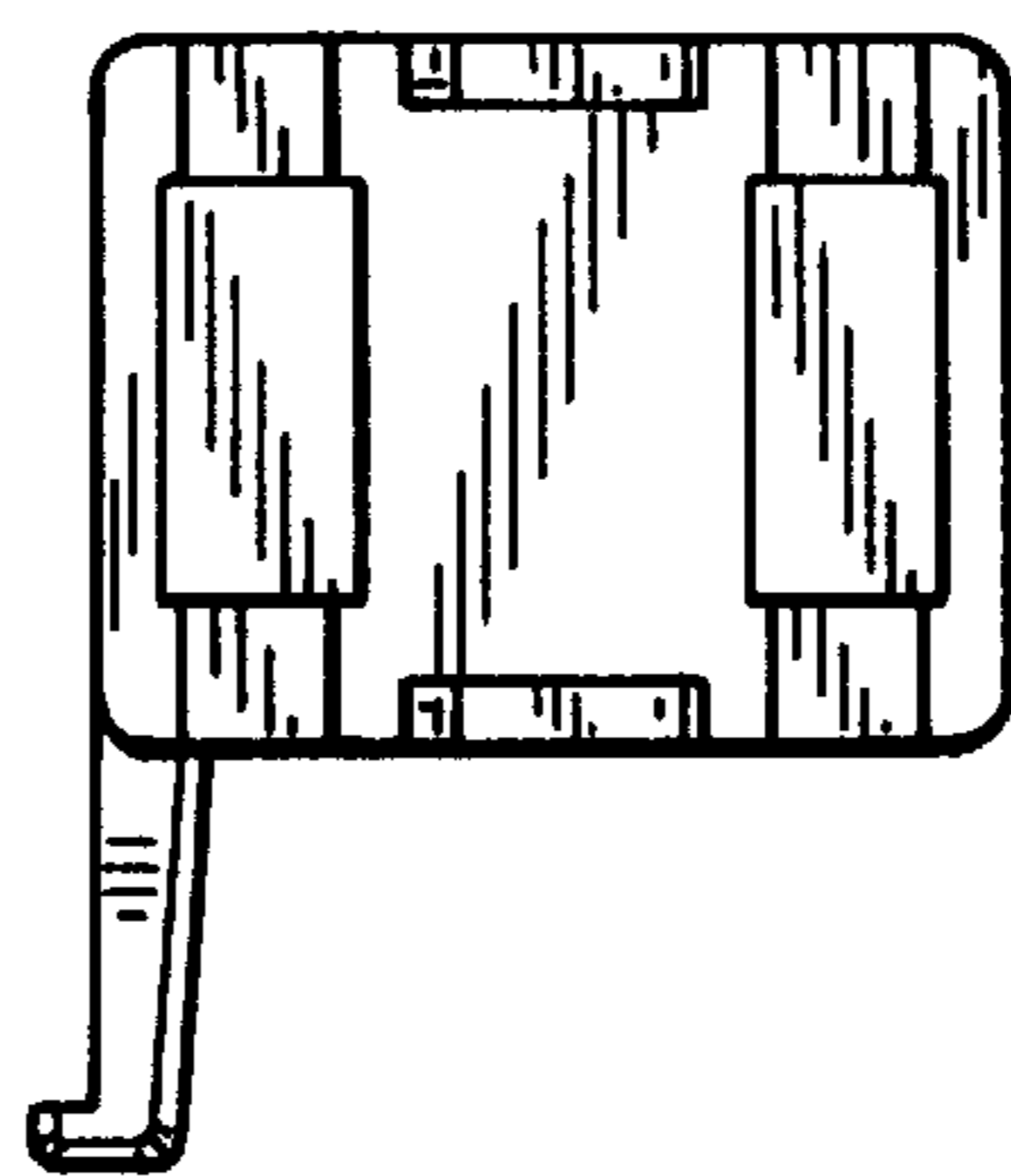


FIG. 7

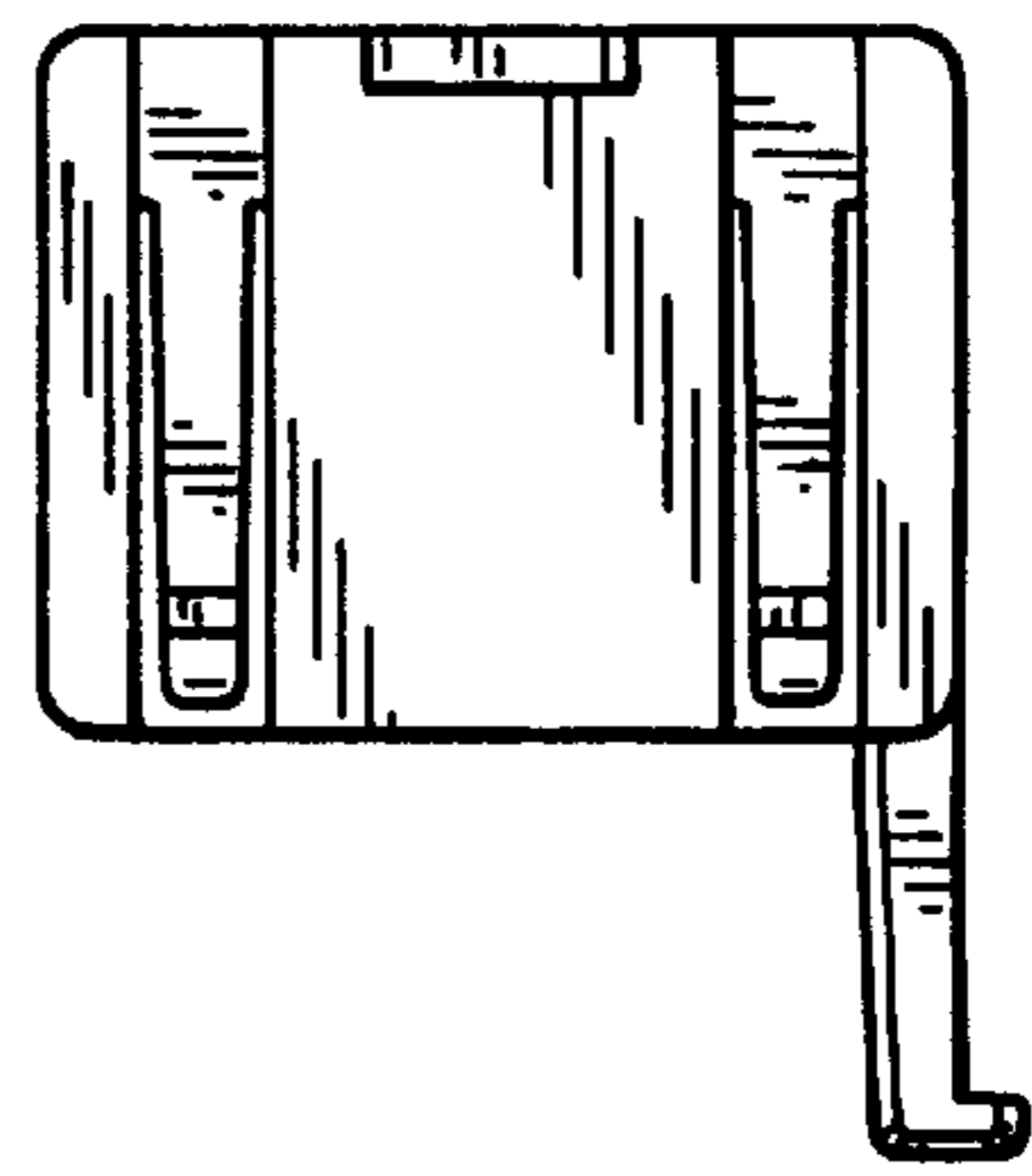


FIG. 8