



US00D423328S

# United States Patent [19] Burrows

[11] **Patent Number: Des. 423,328**

[45] **Date of Patent: \*\* Apr. 25, 2000**

[54] **BRACKET**

3,177,988 4/1965 Constantini et al. .... 248/218.4  
3,318,561 5/1967 Finke et al. .... 248/218.4

[75] Inventor: **Sharon Burrows**, London, United Kingdom

### FOREIGN PATENT DOCUMENTS

93-2791 9/1994 Sweden .

[73] Assignee: **Gratnell's Limited**, London, United Kingdom

*Primary Examiner*—Holly Baynham  
*Attorney, Agent, or Firm*—Ostrager Chong Flaherty & Onofrio, P.C.

[\*\*] Term: **14 Years**

[21] Appl. No.: **29/101,452**

### [57] CLAIM

[22] Filed: **Mar. 4, 1999**

The ornamental design for a bracket, as shown and described.

### [30] Foreign Application Priority Data

### DESCRIPTION

Sep. 4, 1998 [GB] United Kingdom ..... 2077372

[51] **LOC (6) Cl.** ..... **08-05**

FIG. 1 is a front, left side and top perspective view of a preferred embodiment of the bracket design of the invention; FIG. 2 is a top plan view thereof; FIG. 3 is a front elevational view thereof; FIG. 4 is a right side elevational view thereof; FIG. 5 is a rear elevational view thereof; and, FIG. 6 is a bottom plan view thereof.

[52] **U.S. Cl.** ..... **D8/354**

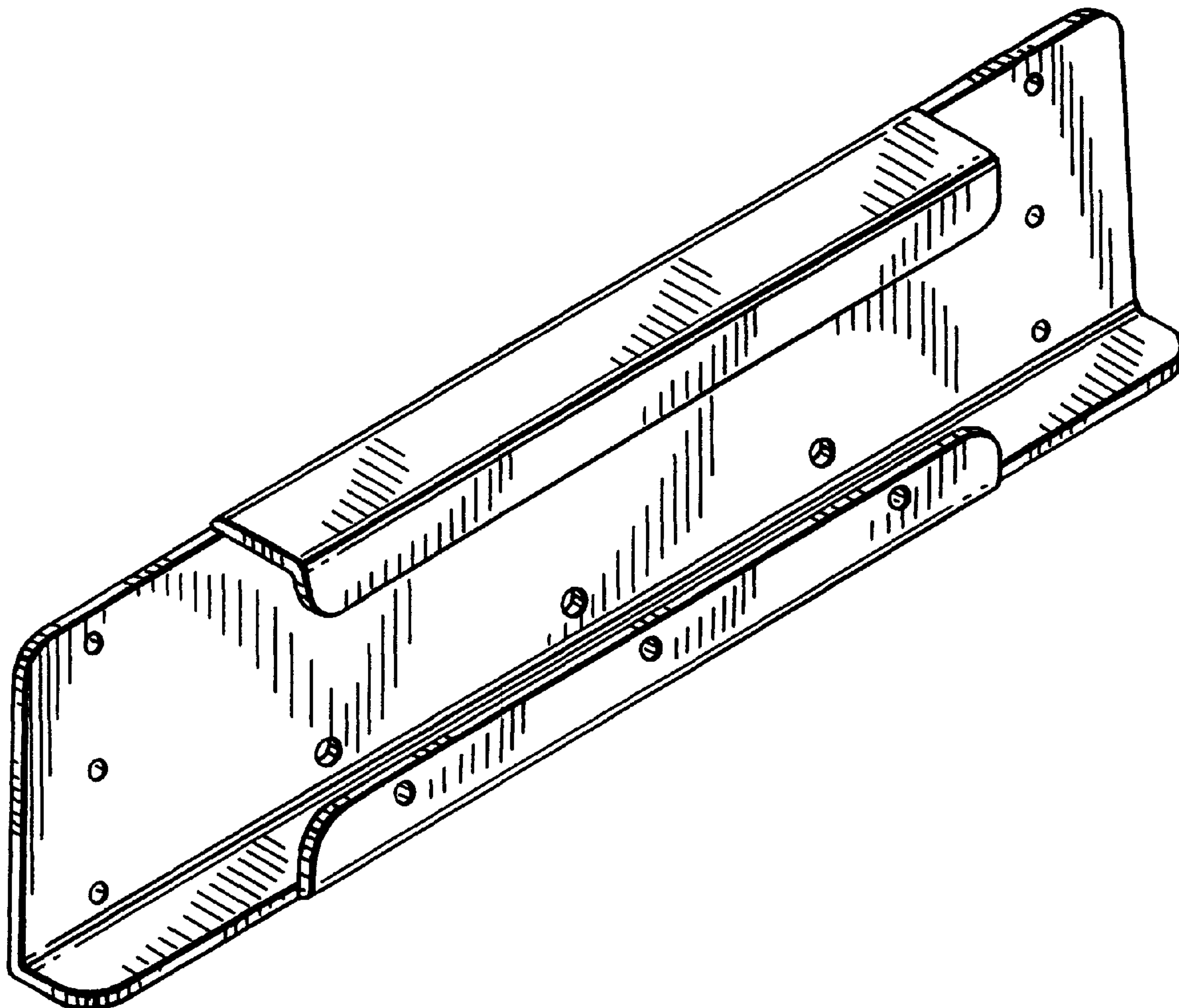
[58] **Field of Search** ..... D8/349, 354; 248/300, 248/201, 229.1, 218.4

### [56] References Cited

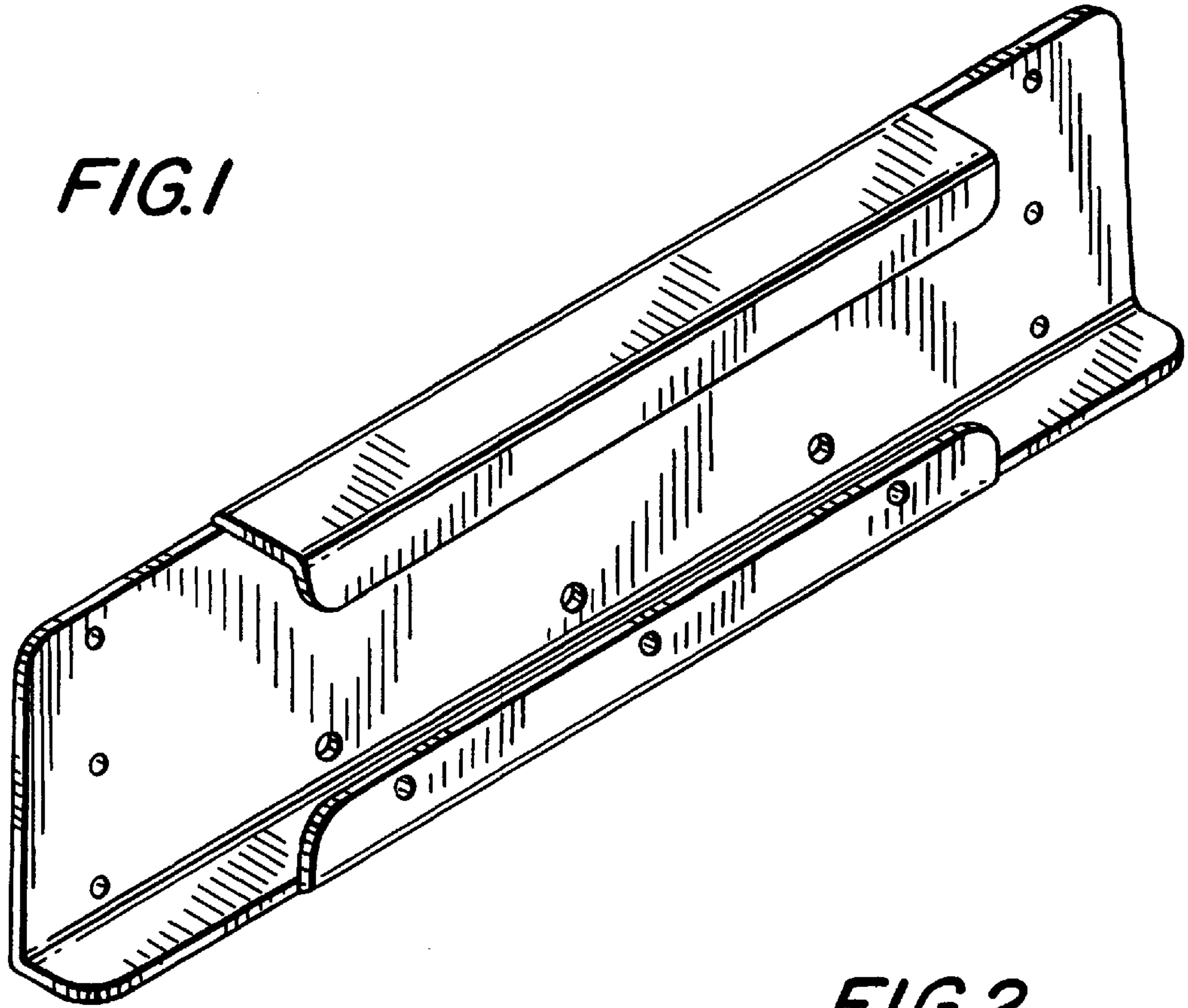
#### U.S. PATENT DOCUMENTS

D. 359,443 6/1995 Johansson ..... D8/382

**1 Claim, 2 Drawing Sheets**



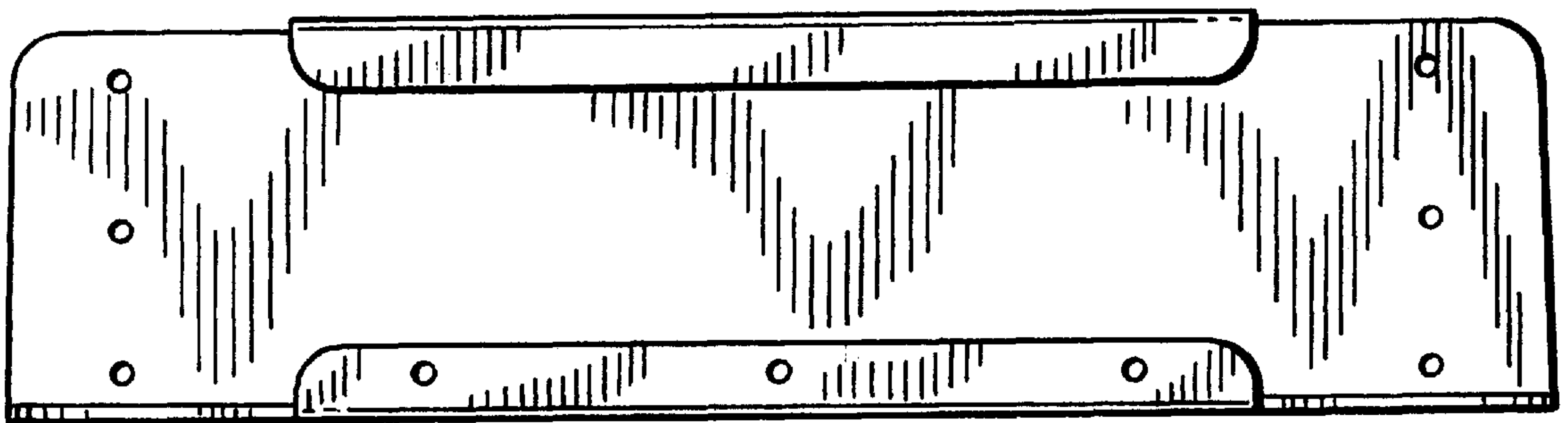
*FIG. 1*



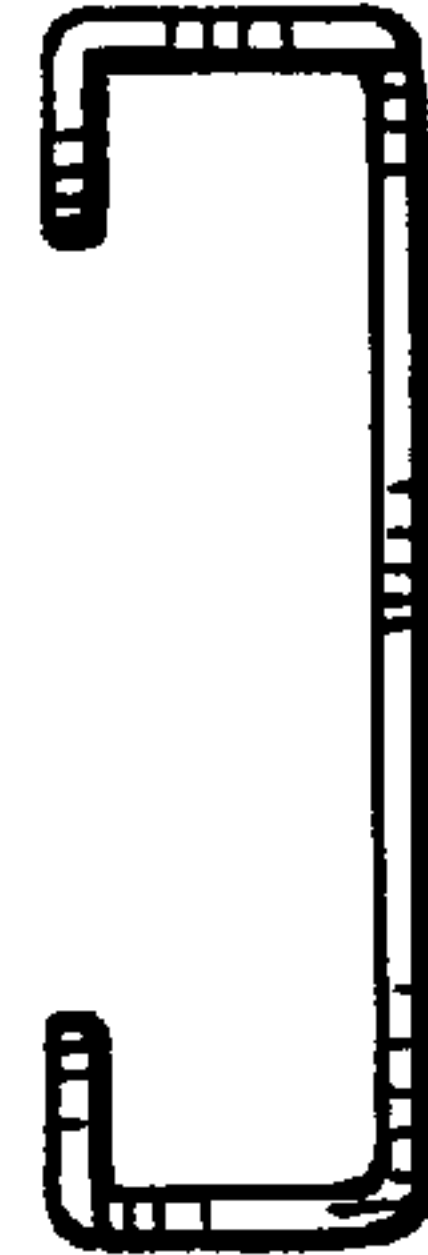
*FIG. 2*



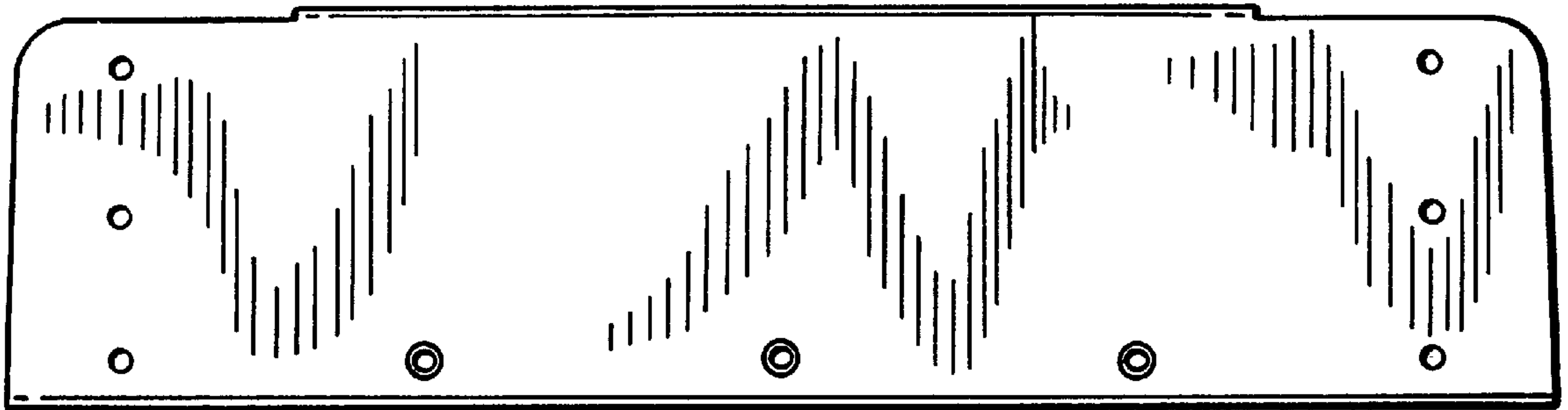
*FIG. 3*



*FIG. 4*



*FIG. 5*



*FIG. 6*