



US00D423327S

United States Patent [19]

[11] **Patent Number: Des. 423,327**

Ades

[45] **Date of Patent: ** Apr. 25, 2000**

[54] **SUCTION CUP PERCH WITH PIVOTAL ARM**

Primary Examiner—Holly Baynham
Attorney, Agent, or Firm—Richard D. Slehofer

[76] **Inventor: Ronald B. Ades**, 21726 Ybarra Rd.,
Woodland Hills, Calif. 91364

[57] **CLAIM**

[**] **Term: 14 Years**

The ornamental design for a suction cup perch with pivotal arm, as shown and described.

[21] **Appl. No.: 29/079,051**

DESCRIPTION

[22] **Filed: Nov. 7, 1997**

[51] **LOC (6) Cl. 08-05**

FIG. 1 is a perspective view of a suction cup perch with pivotal arm showing my new design;

[52] **U.S. Cl. D8/354**

FIG. 2 is a front view of FIG. 1;

[58] **Field of Search** D8/349, 354; 248/206.3,
248/205.8, 205.9, 206.2, 206.1

FIG. 3 is a rear view of FIG. 1;

FIG. 4 is a left side view of FIG. 1;

FIG. 5 is a right side view of FIG. 1;

FIG. 6 is a top view of FIG. 1; and,

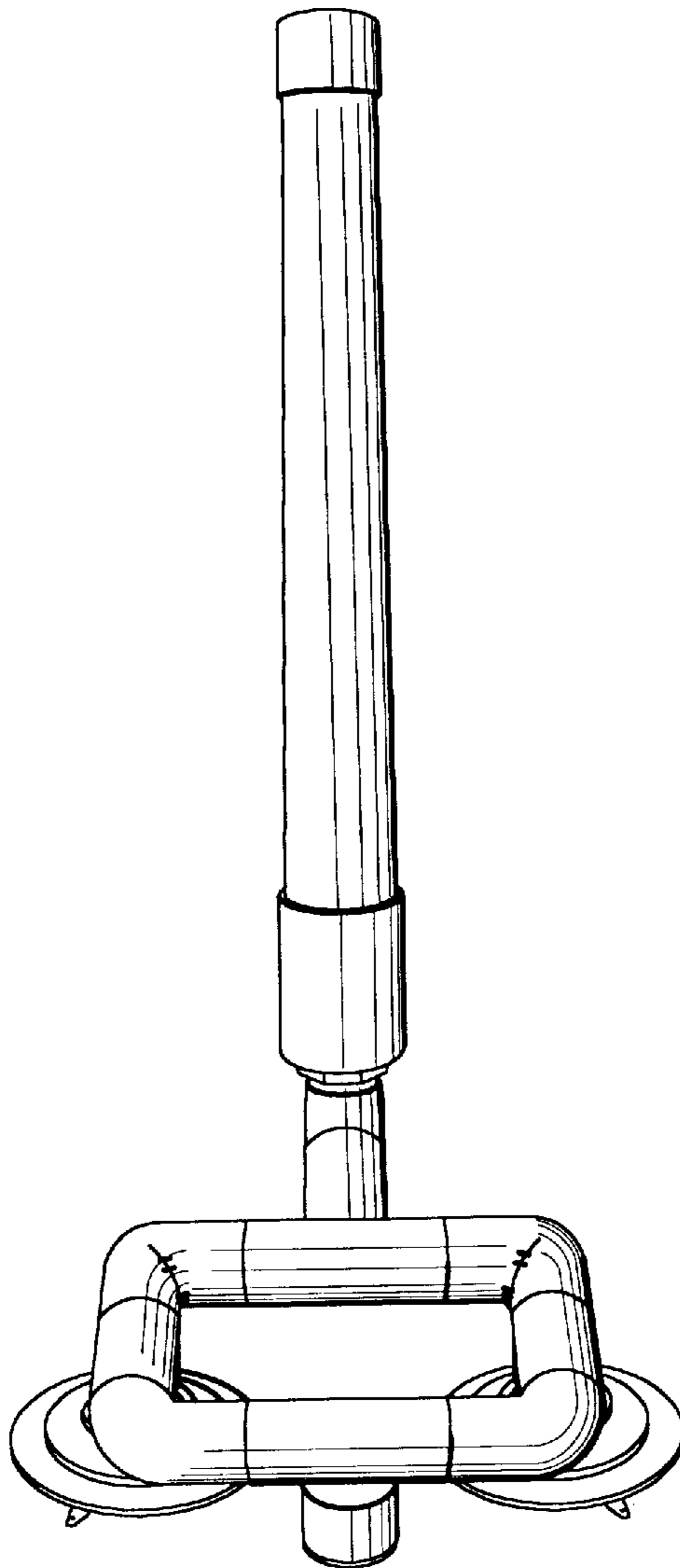
FIG. 7 is a bottom view of FIG. 1.

[56] **References Cited**

U.S. PATENT DOCUMENTS

2,730,325 1/1956 VanDusen et al. 248/205.8
5,087,005 2/1992 Holoff et al. 248/205.8

1 Claim, 3 Drawing Sheets



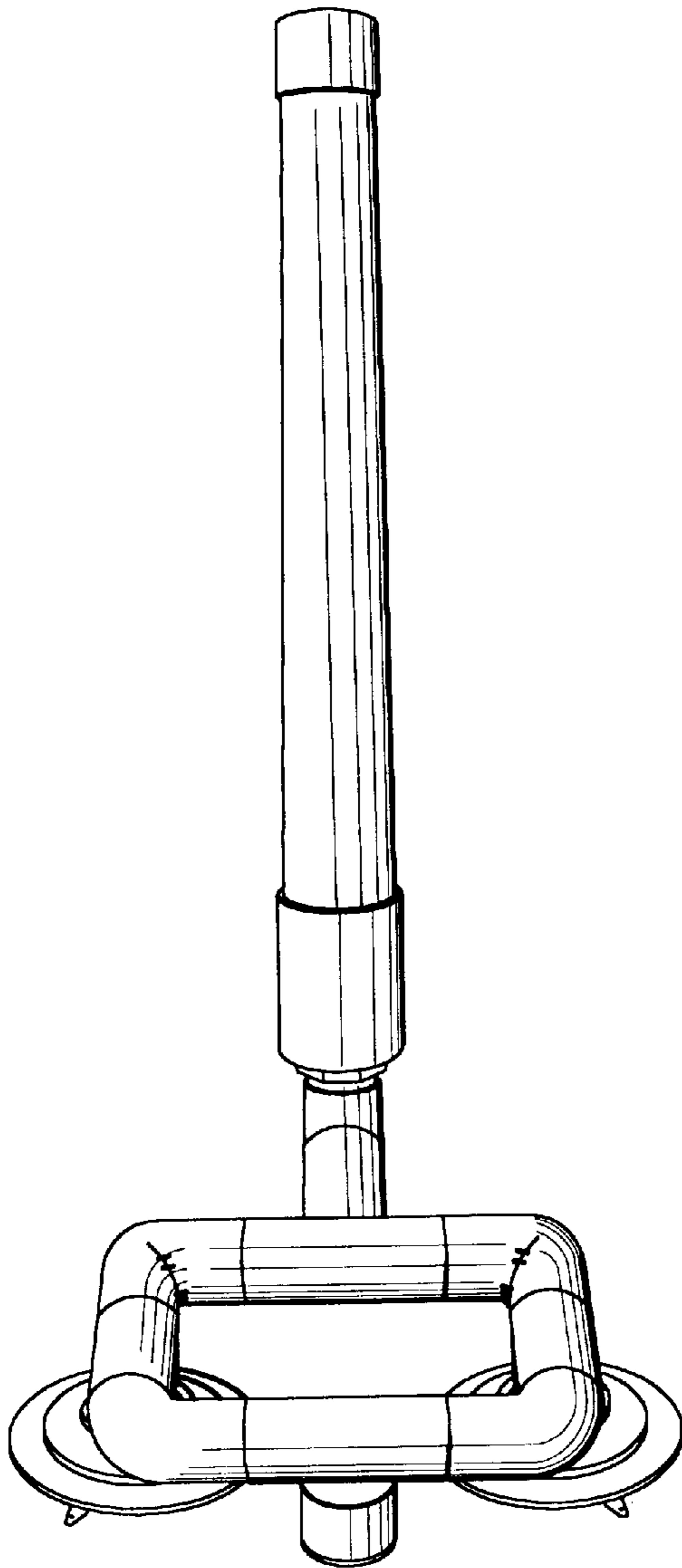


FIG. 1

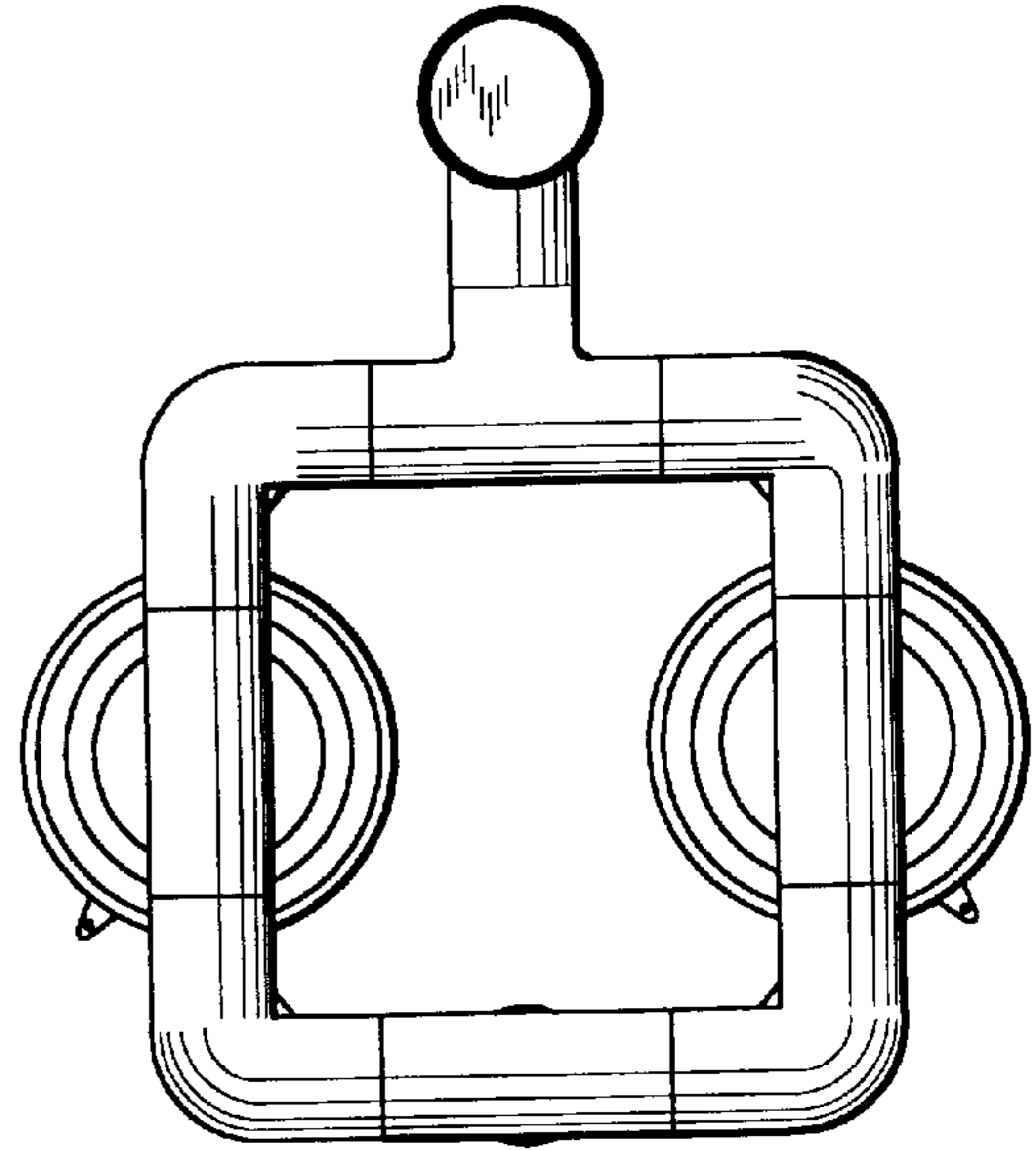
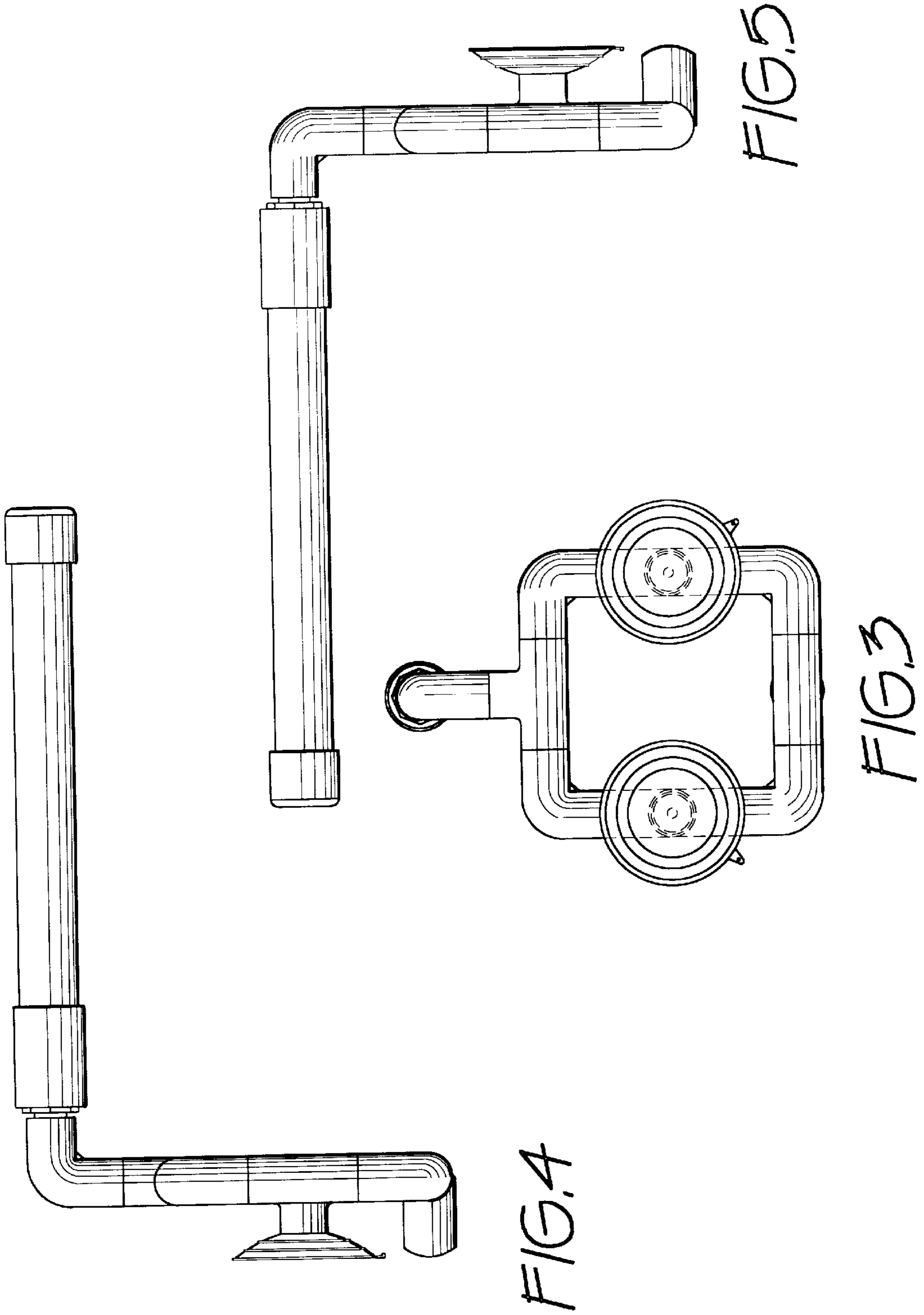


FIG. 2



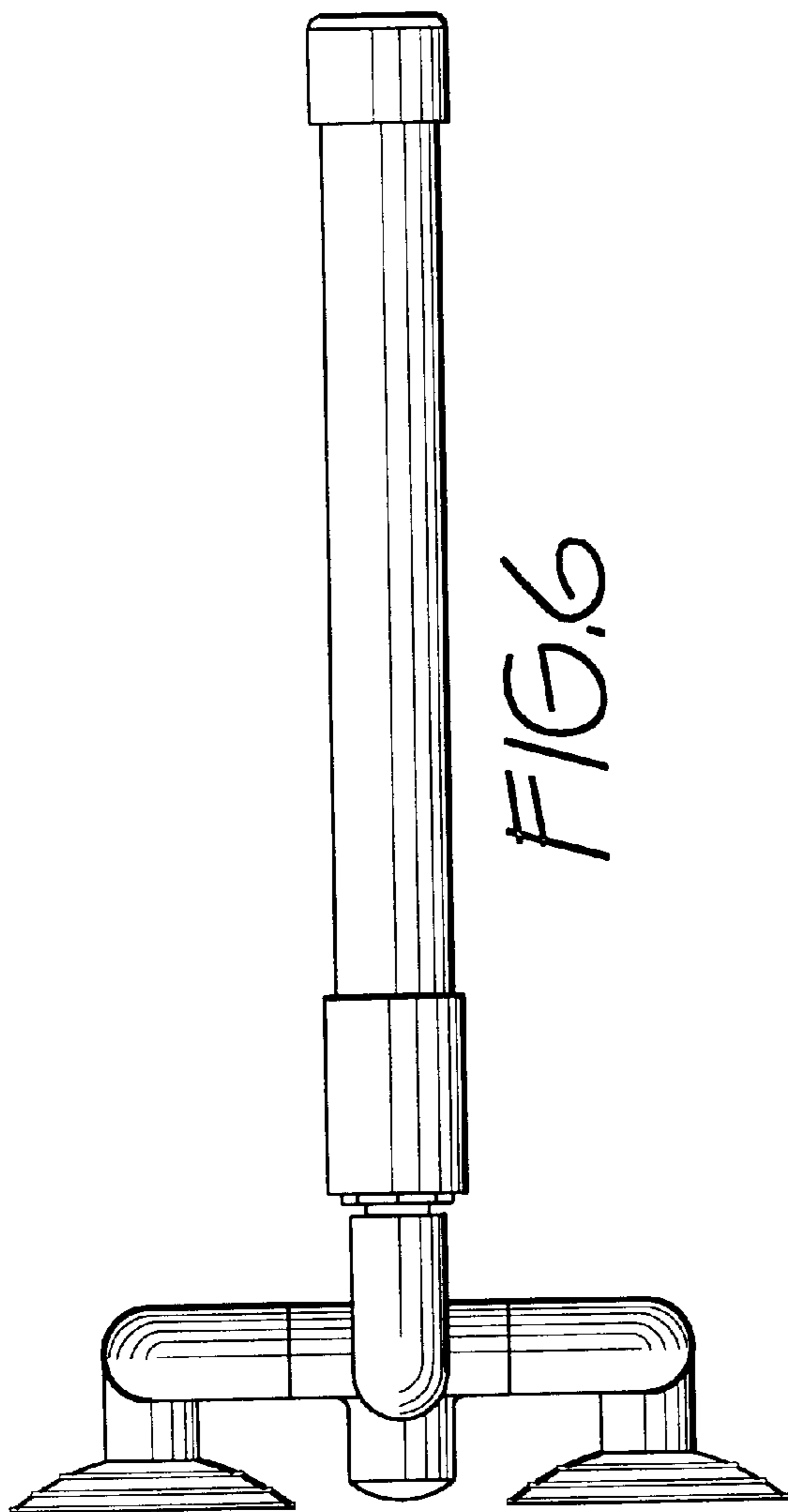


FIG. 6

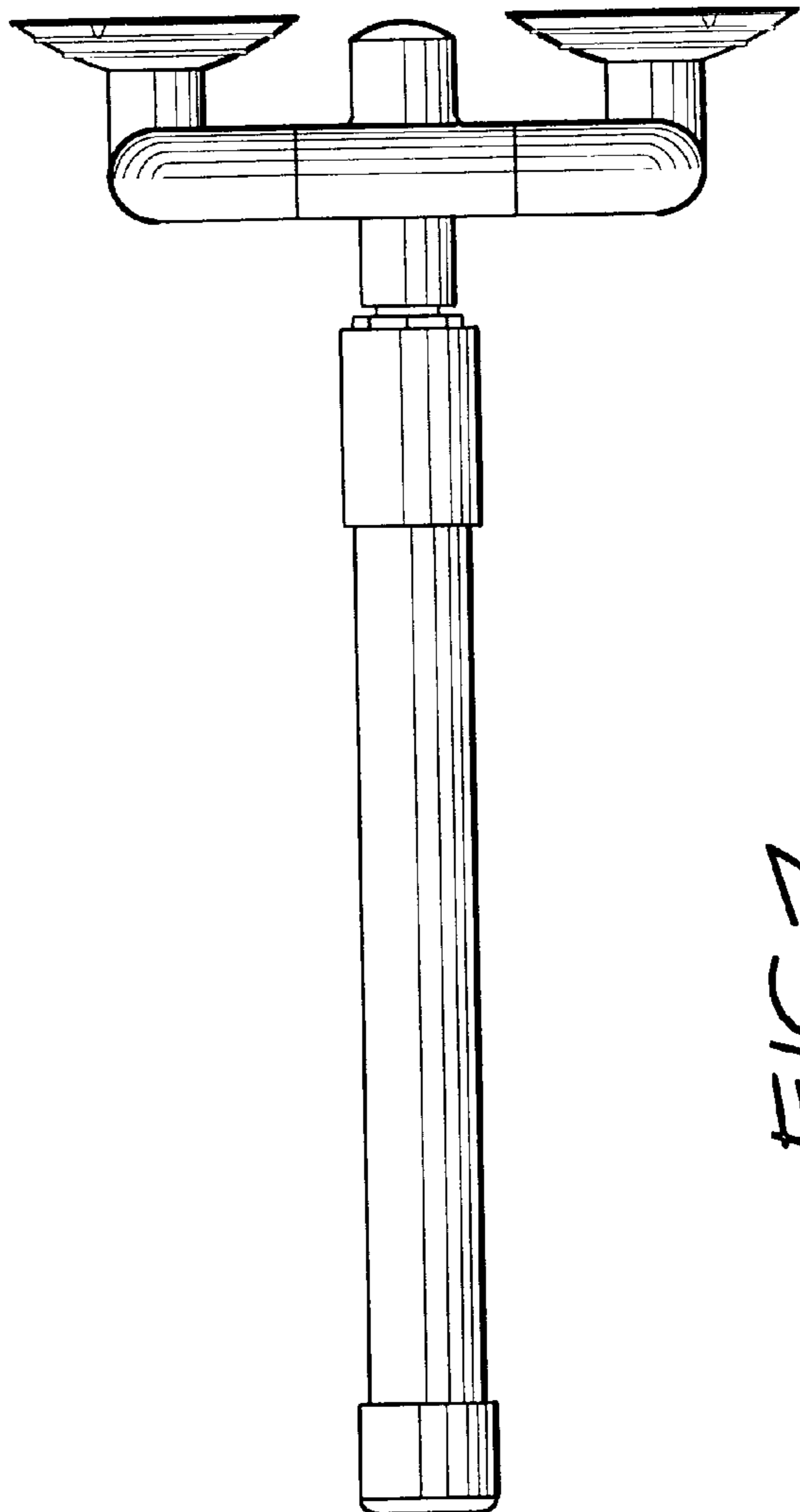


FIG. 7