



US00D423324S

United States Patent [19]
Liu

[11] **Patent Number: Des. 423,324**

[45] **Date of Patent: ** Apr. 25, 2000**

[54] **LAMINATED PADLOCK**

D. 408,262 4/1999 Liu D8/334

[76] Inventor: **Ten Kao Liu**, No. 22, Lane 5, Da-Lien Road, Pin Tong City, Taiwan

Primary Examiner—Susan J. Lucas
Assistant Examiner—Jennifer Rivard
Attorney, Agent, or Firm—Rosenberg, Klein & Lee

[**] Term: **14 Years**

[57] **CLAIM**

[21] Appl. No.: **29/105,710**

The ornamental design for a laminated padlock, as shown and described.

[22] Filed: **May 28, 1999**

DESCRIPTION

[51] **LOC (6) Cl.** **08-07**

[52] **U.S. Cl.** **D8/334**

[58] **Field of Search** D8/330, 331, 333, D8/334; 70/14, 20, 21, 31, 35, 36, 38 A, 38 R, 40, 41, 48

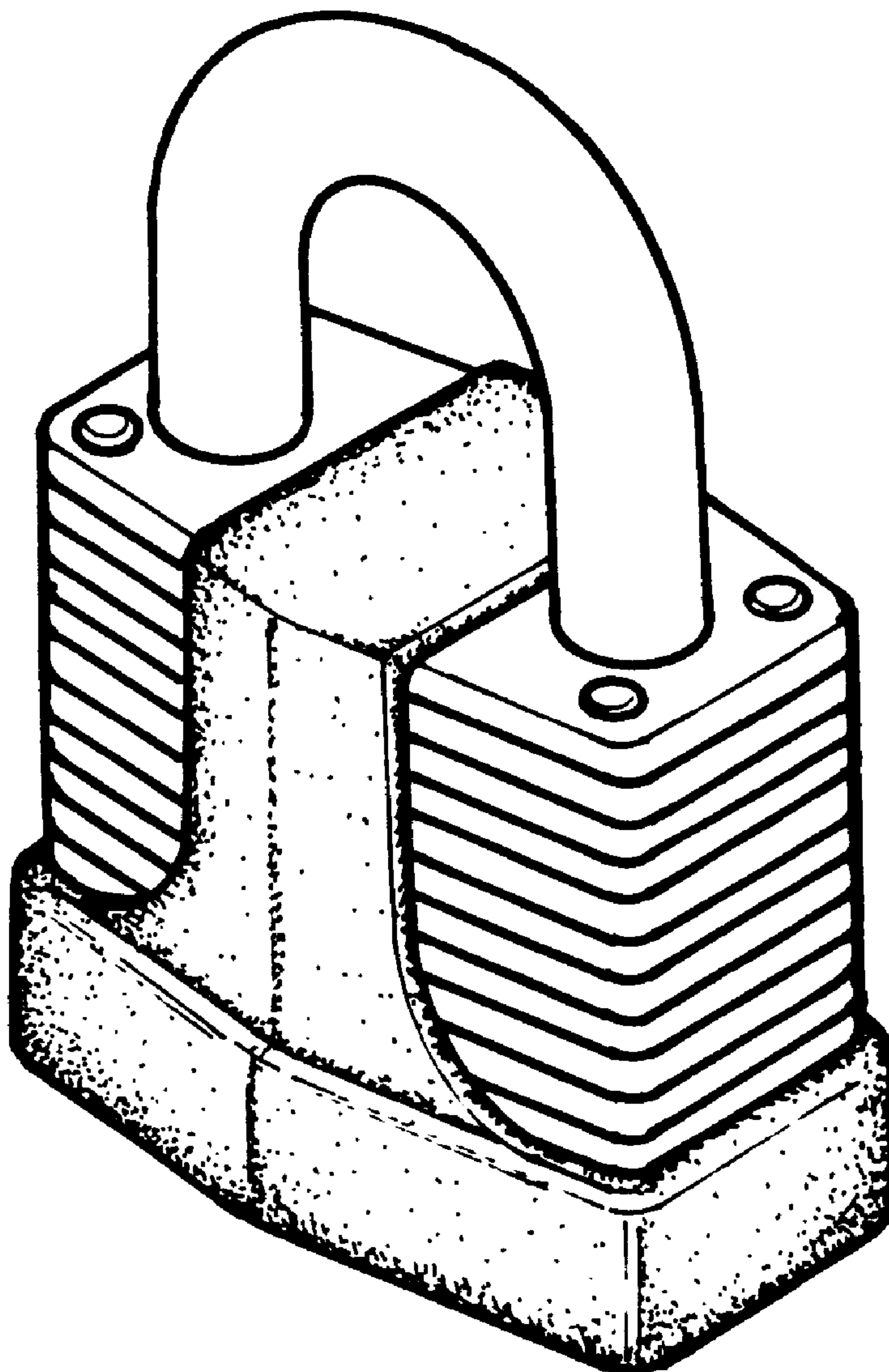
FIG. 1 is front-right-top perspective view of a laminated padlock, showing my new design;
FIG. 2 is a front elevation view thereof, the rear elevation view being a mirror image;
FIG. 3 is a left elevation view thereof; the right elevation view being a mirror image;
FIG. 4 is a top plan view thereof; and,
FIG. 5 is a bottom plan view thereof.

[56] **References Cited**

U.S. PATENT DOCUMENTS

- D. 341,766 11/1993 Zacher et al. D8/333
- D. 342,010 12/1993 Lebrecht et al. D8/334

1 Claim, 2 Drawing Sheets



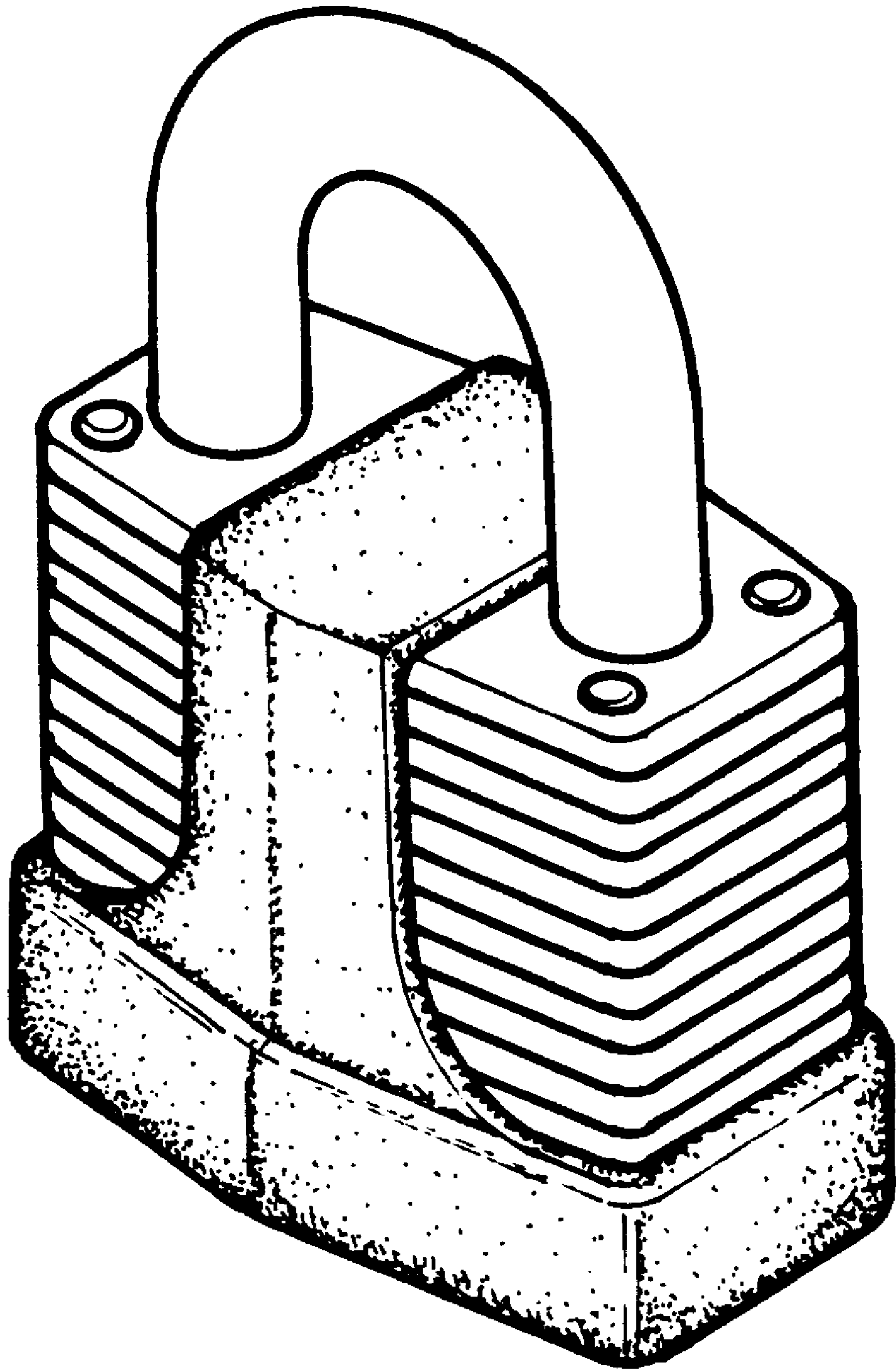


FIG. 1

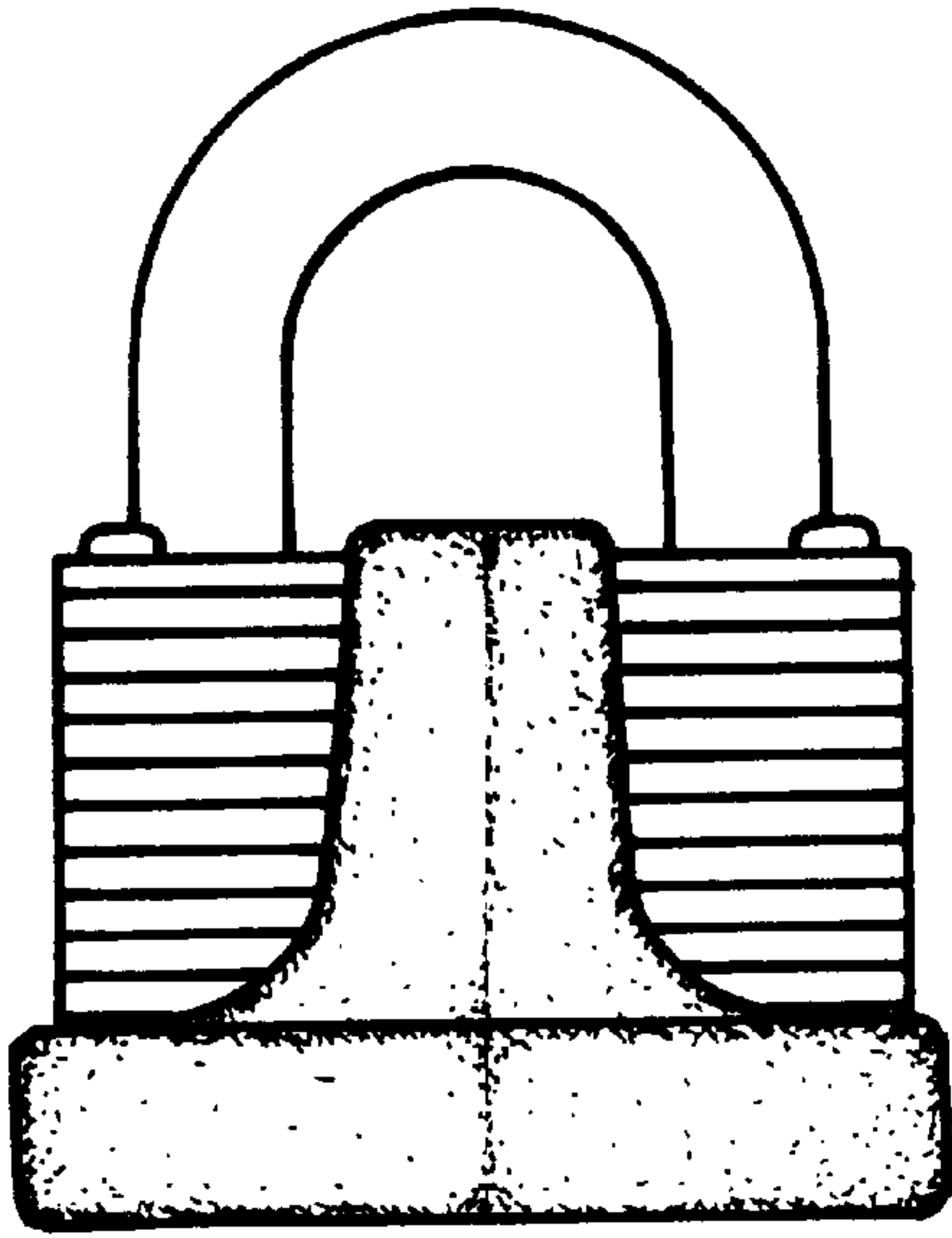


FIG. 2

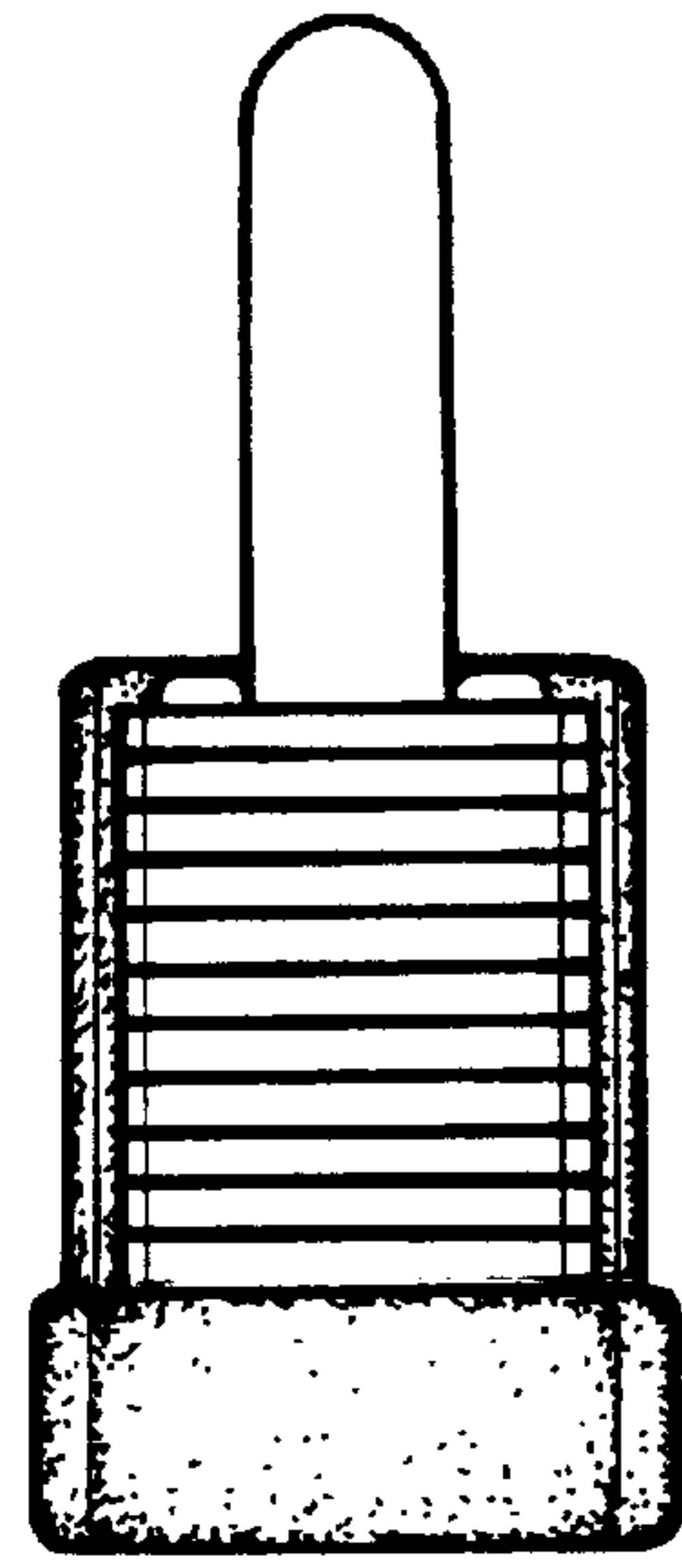


FIG. 3

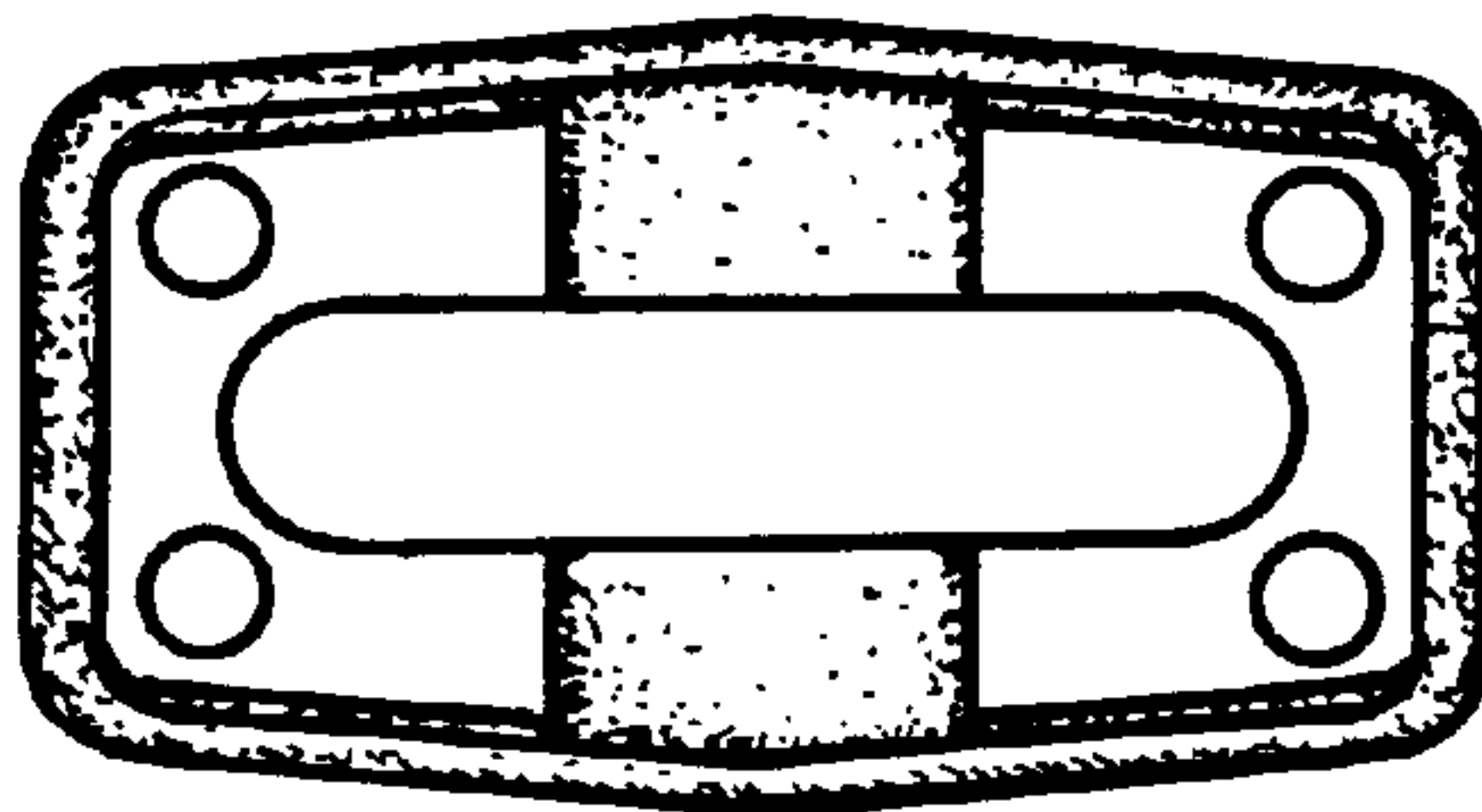


FIG. 4

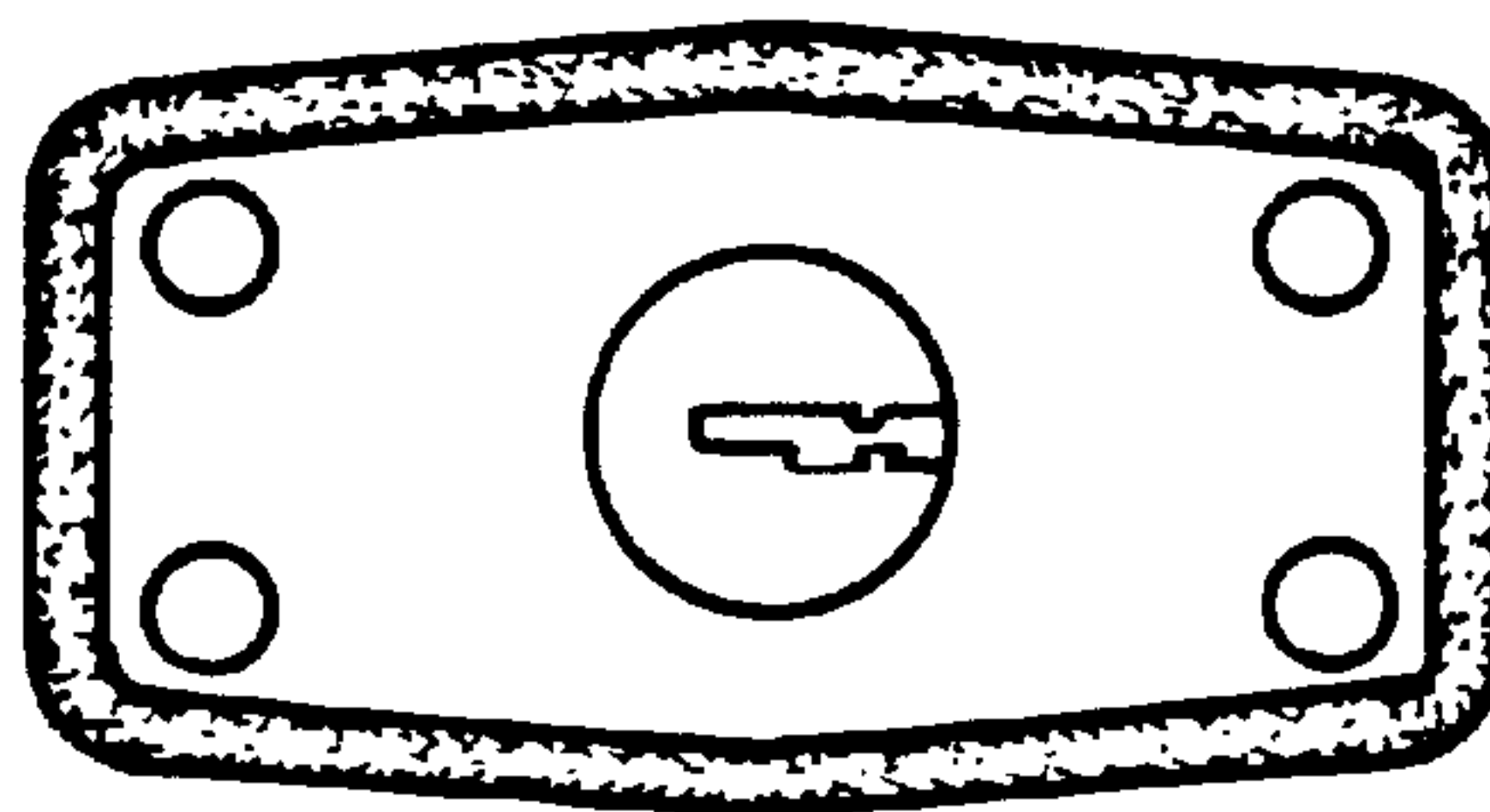


FIG. 5