



US00D423322S

United States Patent [19]
Stover

[11] **Patent Number: Des. 423,322**

[45] **Date of Patent: ** Apr. 25, 2000**

[54] **GLAD-HAND LOCK**

[76] Inventor: **DeVere W. Stover**, 1778 West Ave.,
Marilla, N.Y. 14102

[**] Term: **14 Years**

[21] Appl. No.: **29/084,270**

[22] Filed: **Feb. 27, 1998**

[51] **LOC (6) Cl.** **08-07**

[52] **U.S. Cl.** **D8/331**

[58] **Field of Search** 70/14, 57, 232,
70/237, 174, 228; 280/507; D8/330, 331

[56] **References Cited**

U.S. PATENT DOCUMENTS

D. 350,055	8/1994	Few	D8/331
3,884,055	5/1975	Vuillemot	70/14
4,693,096	9/1987	Mercer	70/14
5,076,077	12/1991	Renne	70/14

Primary Examiner—Susan J. Lucas
Assistant Examiner—Jennifer Rivard

Attorney, Agent, or Firm—Phillips, Lytle, Hitchcock, Blaine & Huber LLP

[57] **CLAIM**

I claim the ornamental design for a glad-hand lock, as shown and described.

DESCRIPTION

FIG. 1 is a perspective view of the claimed glad-hand lock engaged with a glad-hand air supply, the broken-lines disclosing a portion of the glad-hand air supply and padlock are shown for illustrated purposes only and forming no part of the claimed design.

FIG. 2 is an exploded perspective view of the claimed glad-hand lock.

FIG. 3 is a front end elevation of the glad-hand lock in FIG. 1

FIG. 4 is a rear end elevation thereof.

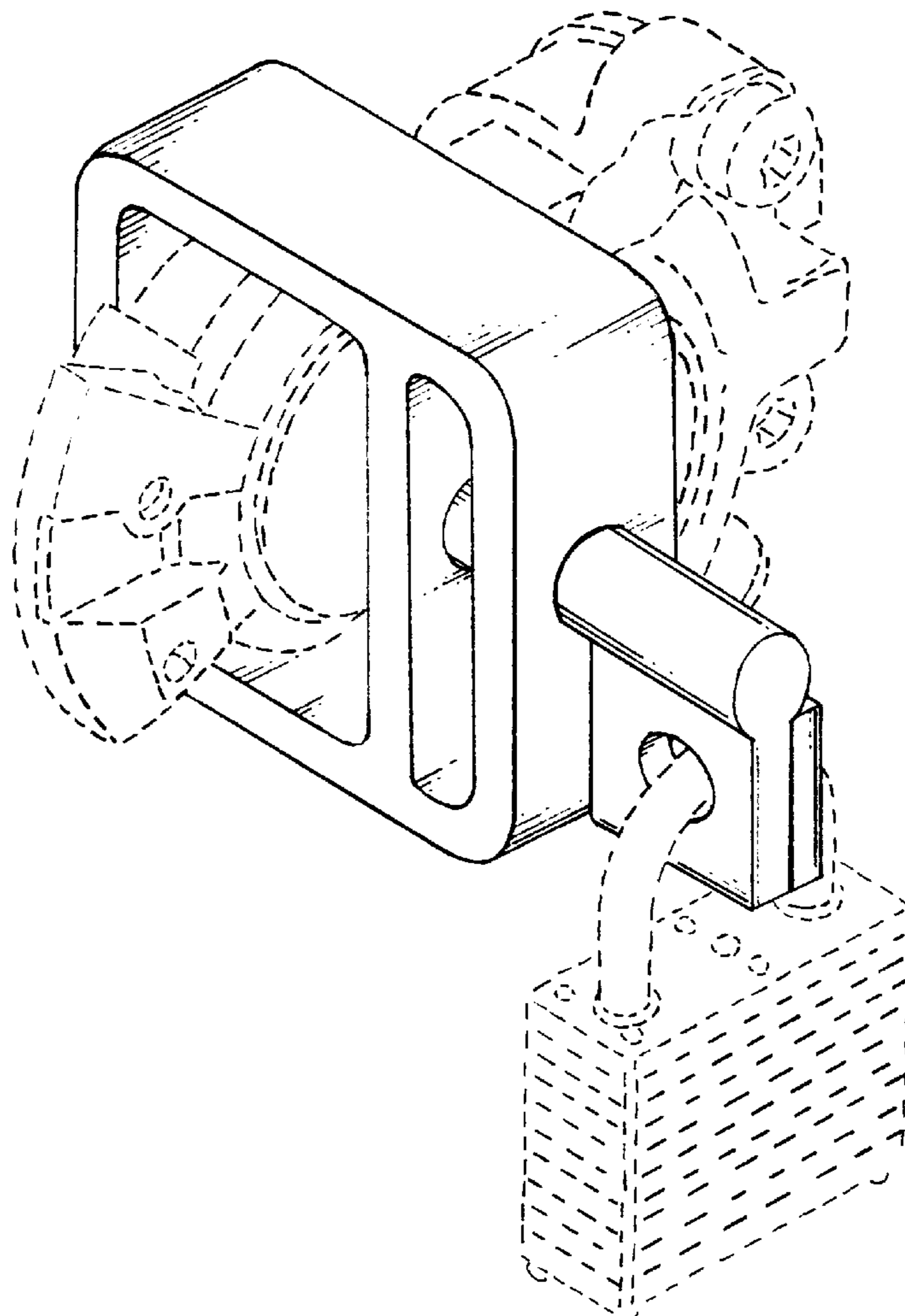
FIG. 5 is a bottom plan view thereof.

FIG. 6 is a top plan view thereof.

FIG. 7 is a right end elevation thereof; and,

FIG. 8 is a left end elevation thereof.

1 Claim, 3 Drawing Sheets



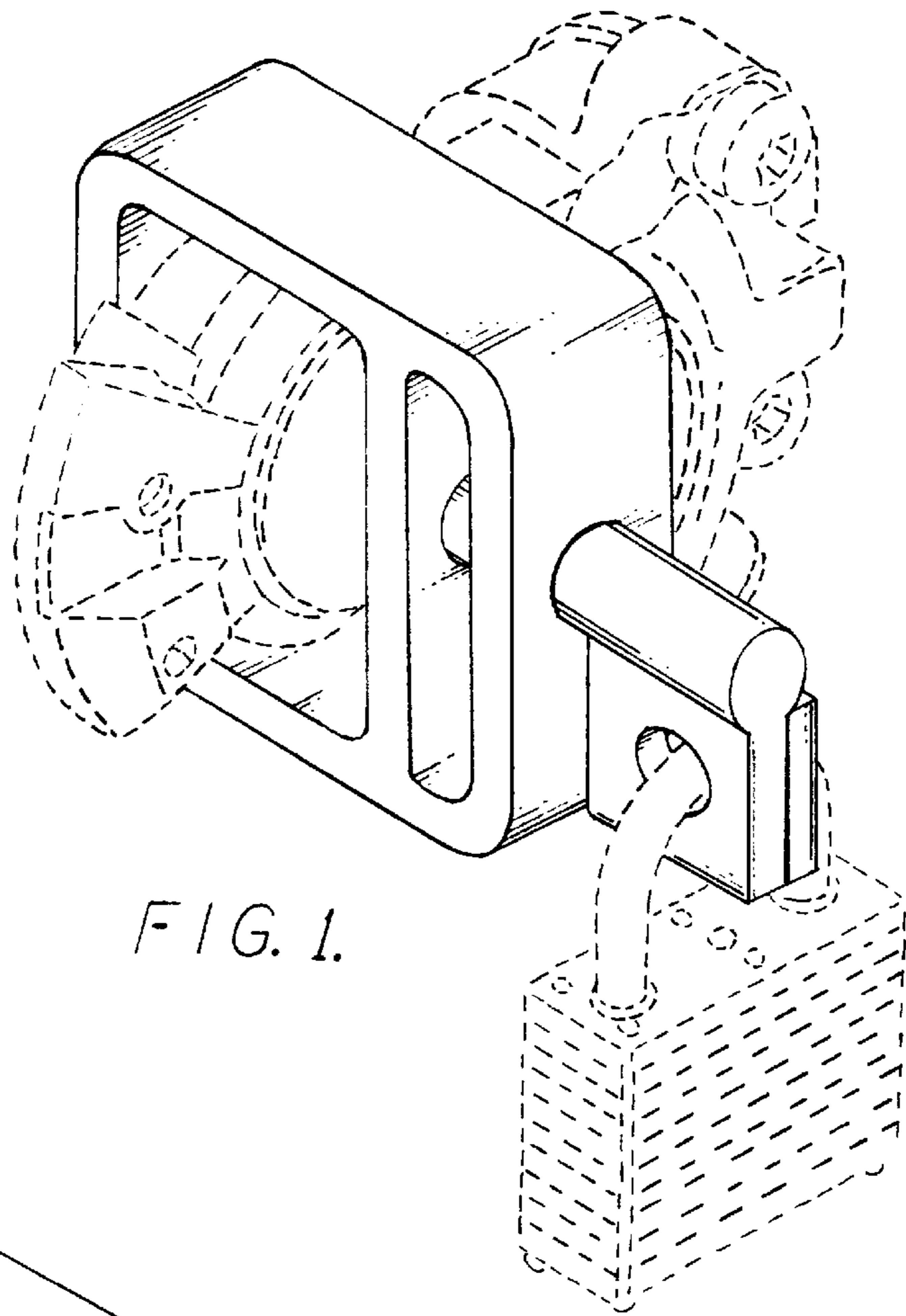


FIG. 1.

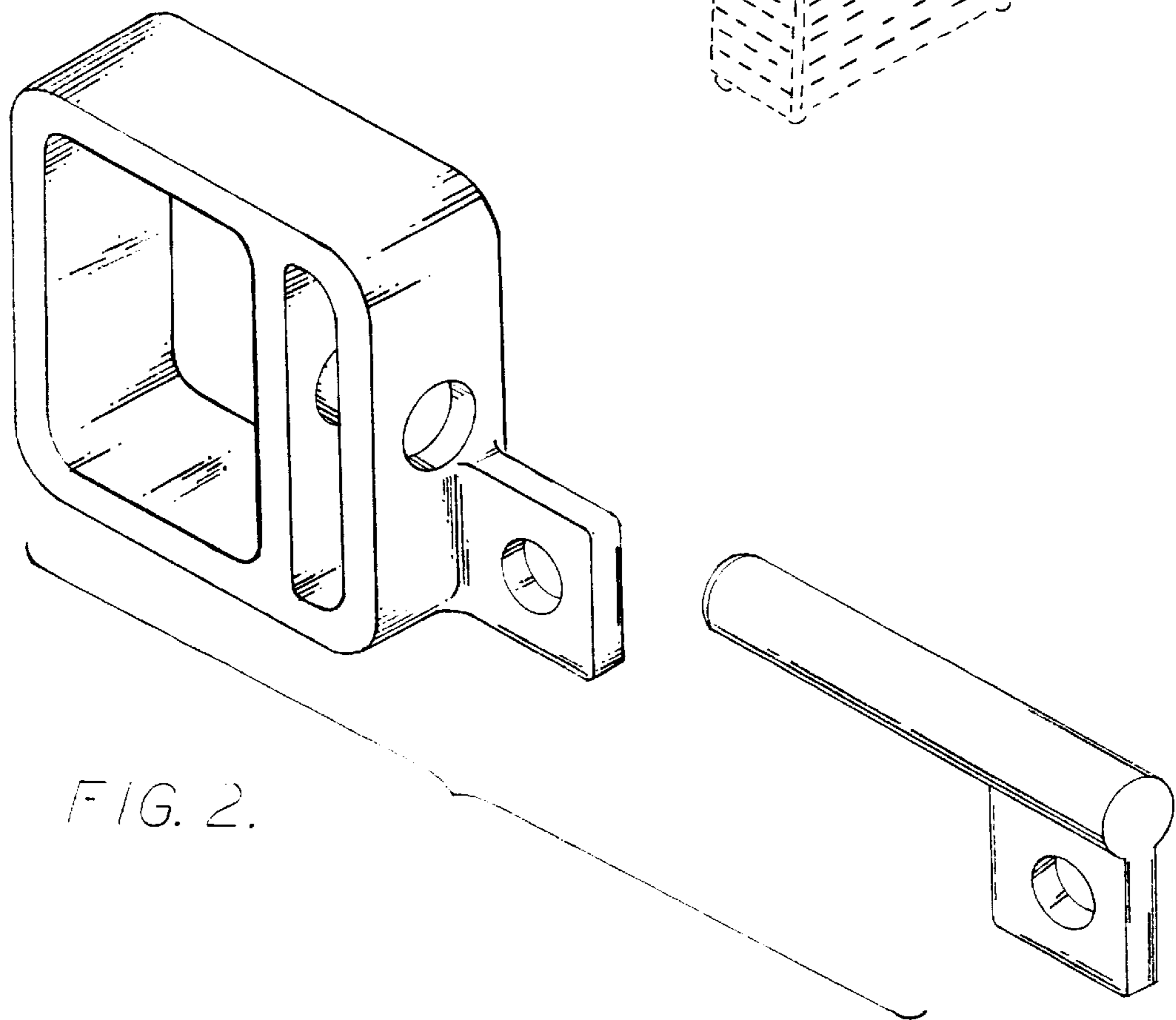


FIG. 2.

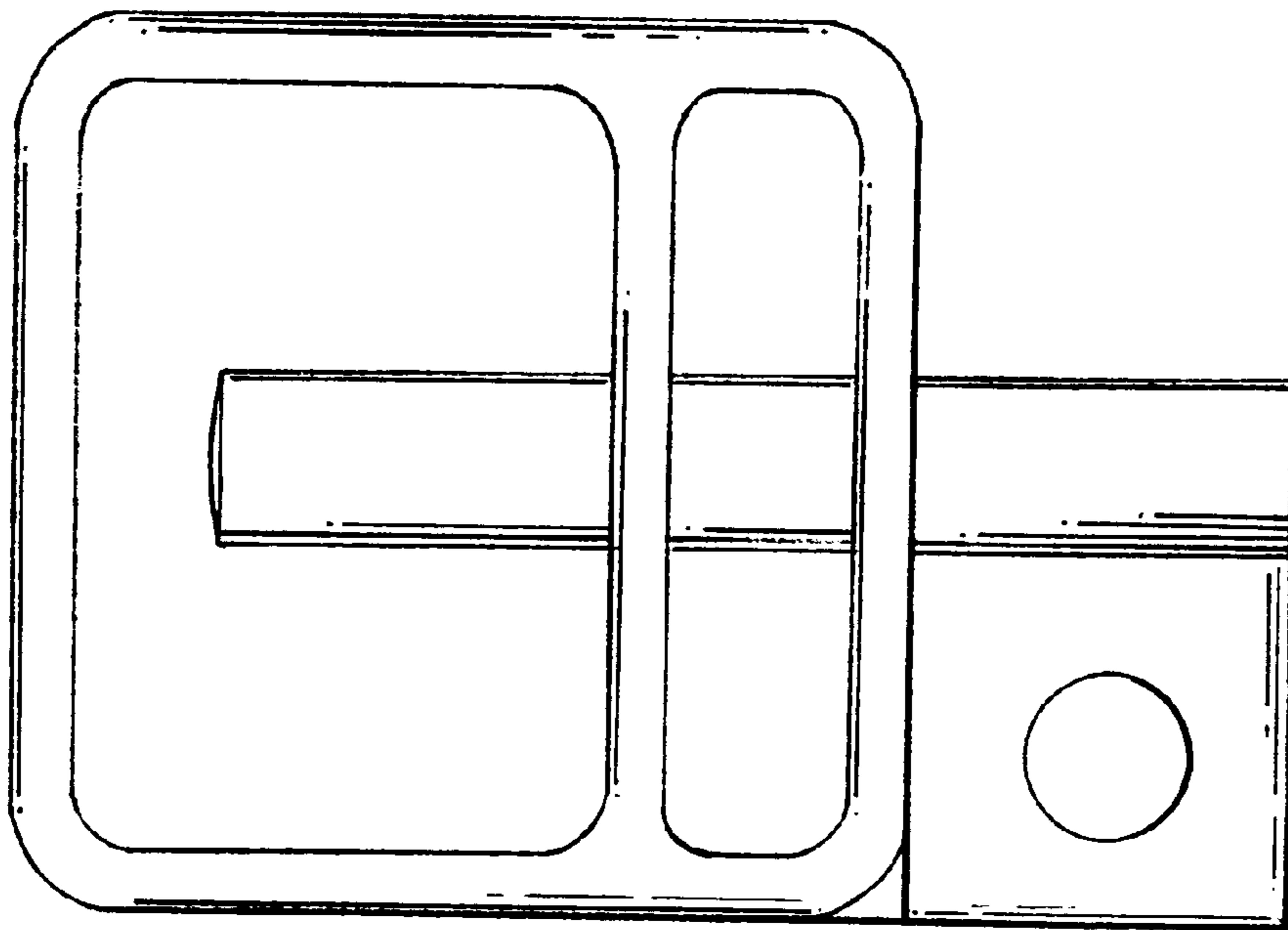


FIG. 3.

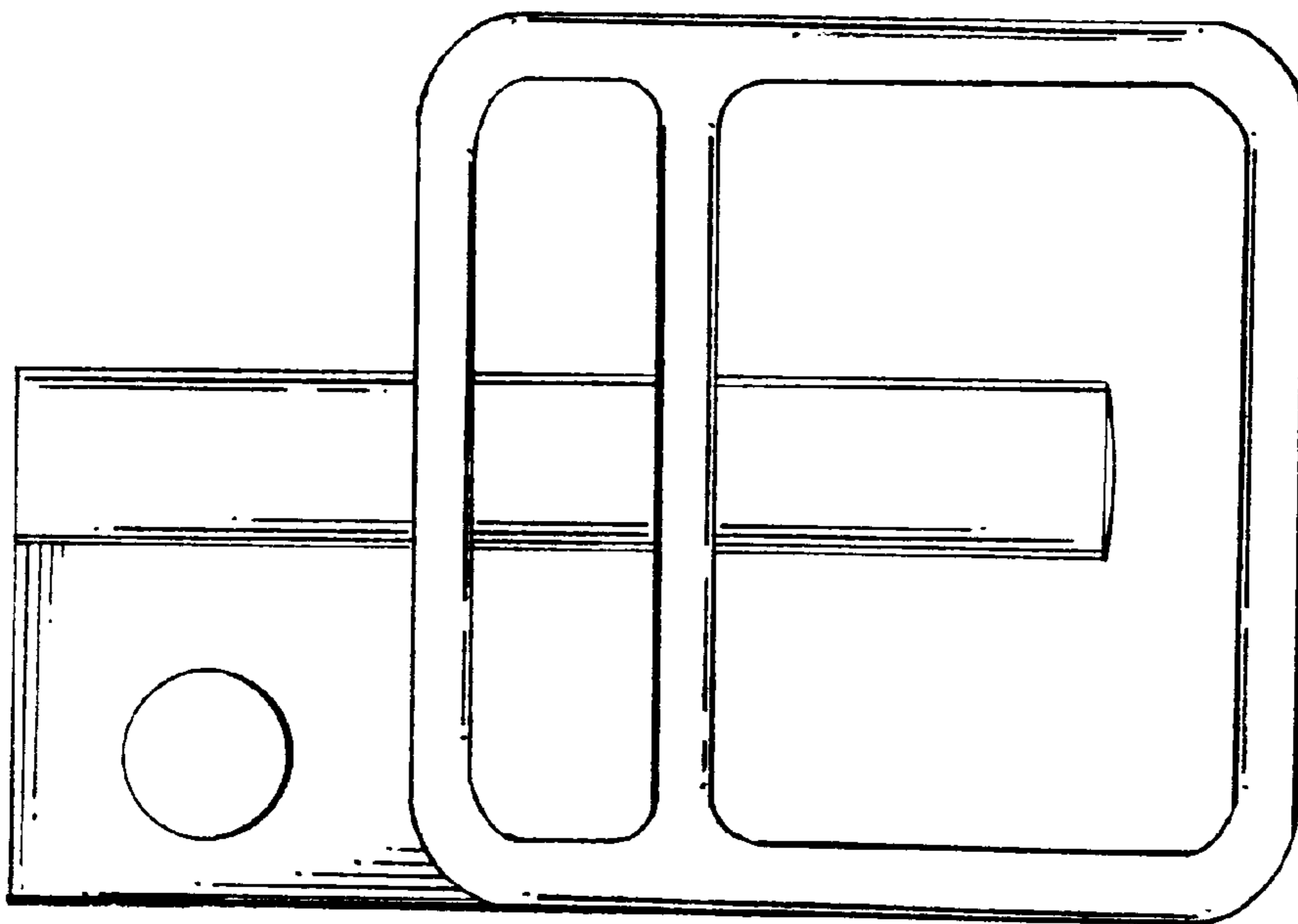


FIG. 4.

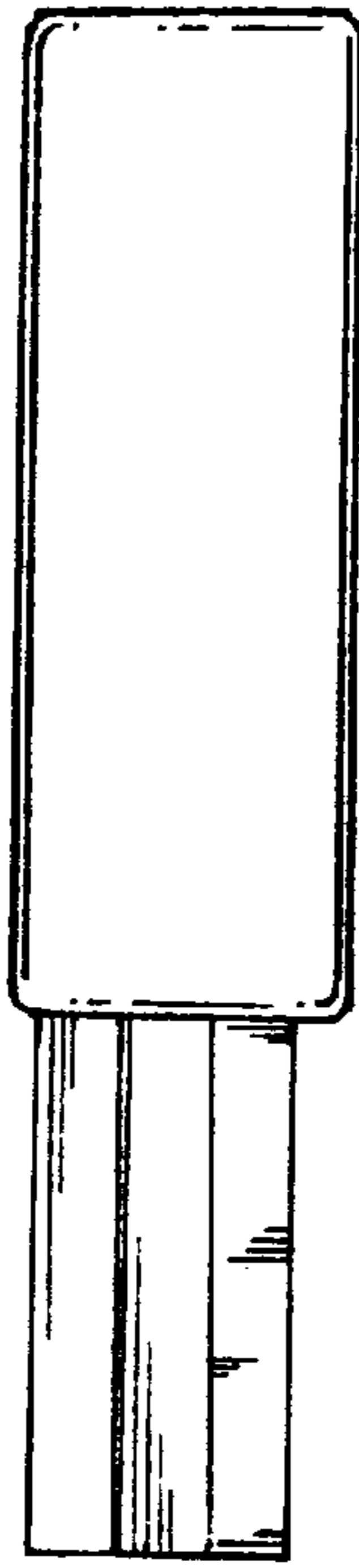


FIG. 5.

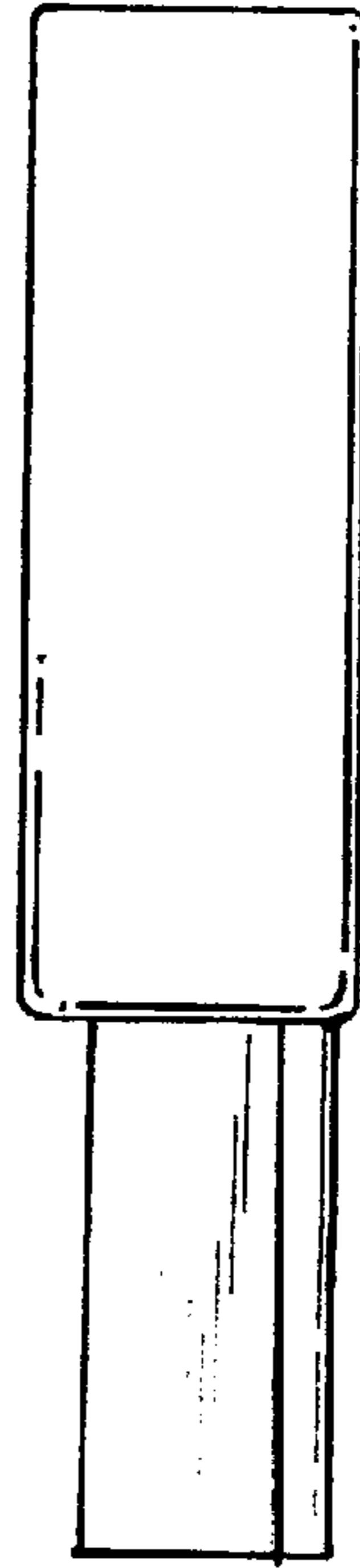


FIG. 6.

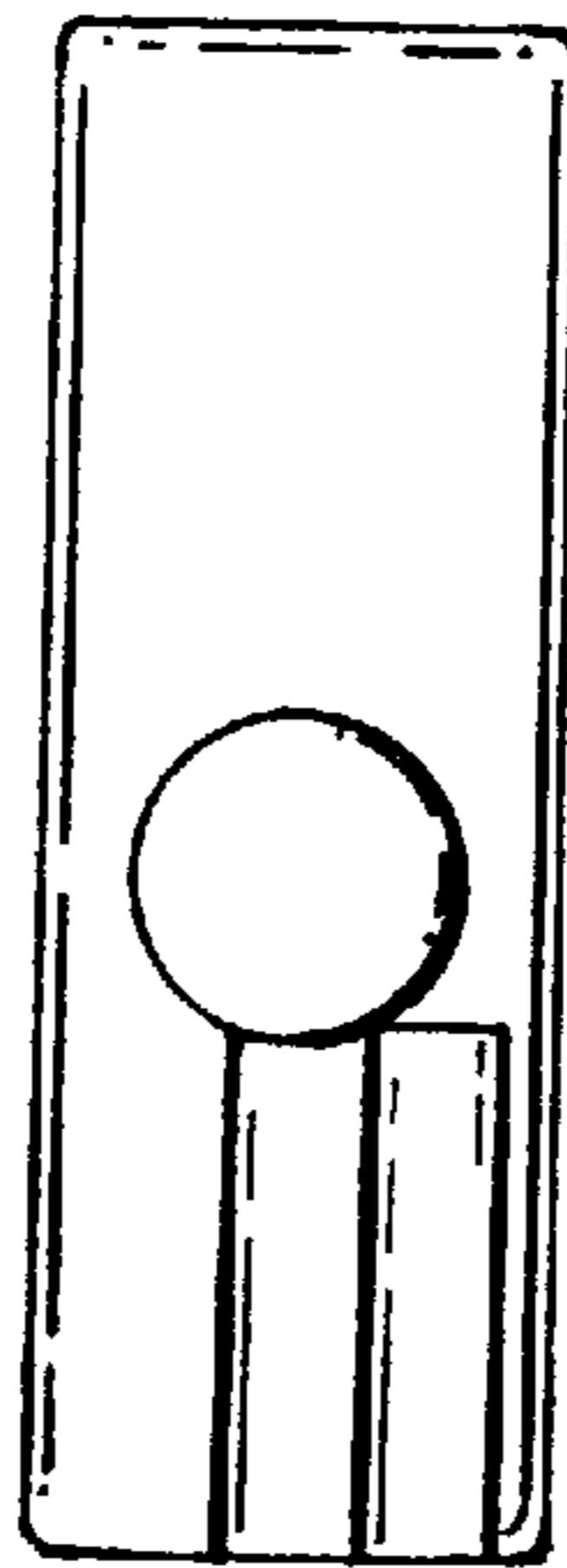


FIG. 7.

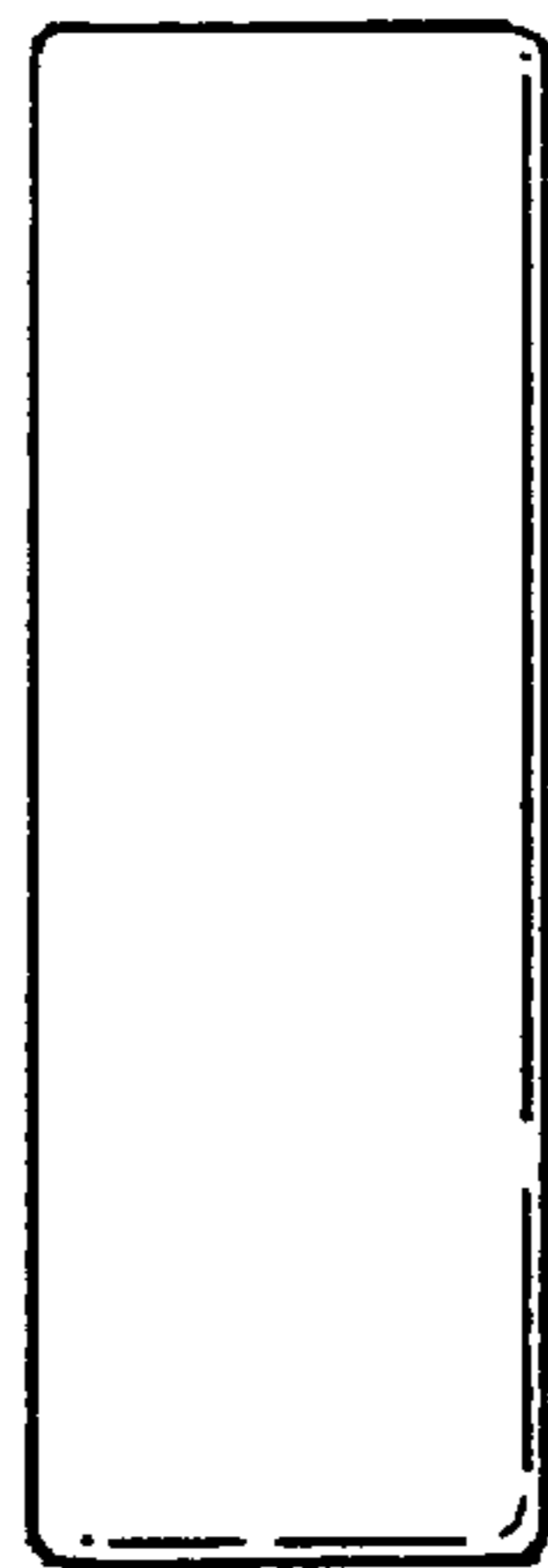


FIG. 8.