



US00D423318S

# United States Patent [19] Lacy

[11] **Patent Number: Des. 423,318**

[45] **Date of Patent: \*\* Apr. 25, 2000**

[54] **MEDIA PACKAGE OPENER**

[76] Inventor: **Brian W. Lacy**, 2494 Riceville Rd.,  
Asheville, N.C. 28805

[\*\*] Term: **14 Years**

[21] Appl. No.: **29/101,395**

[22] Filed: **Mar. 3, 1999**

[51] **LOC (6) Cl. .... 08-03**

[52] **U.S. Cl. .... D8/98**

[58] **Field of Search .... D8/14, 98, 99,**  
D8/102; 30/2, 280, 294, 310, 287, 289

4,779,504	10/1988	Murphy et al. ....	83/856
4,878,408	11/1989	Isaacson et al. ....	83/444
5,009,141	4/1991	Julian et al. ....	83/857
5,127,161	7/1992	Ikeda ....	30/294
5,555,624	9/1996	McCracken ....	30/2
5,638,603	6/1997	Li ....	30/280
5,655,428	8/1997	Cockburn et al. ....	83/857
5,666,731	9/1997	Rungren ....	30/287

*Primary Examiner*—Philip S. Hyder  
*Attorney, Agent, or Firm*—Canter & Schnedler, P.A.

### [57] CLAIM

The ornamental design for a media package opener, as shown.

### DESCRIPTION

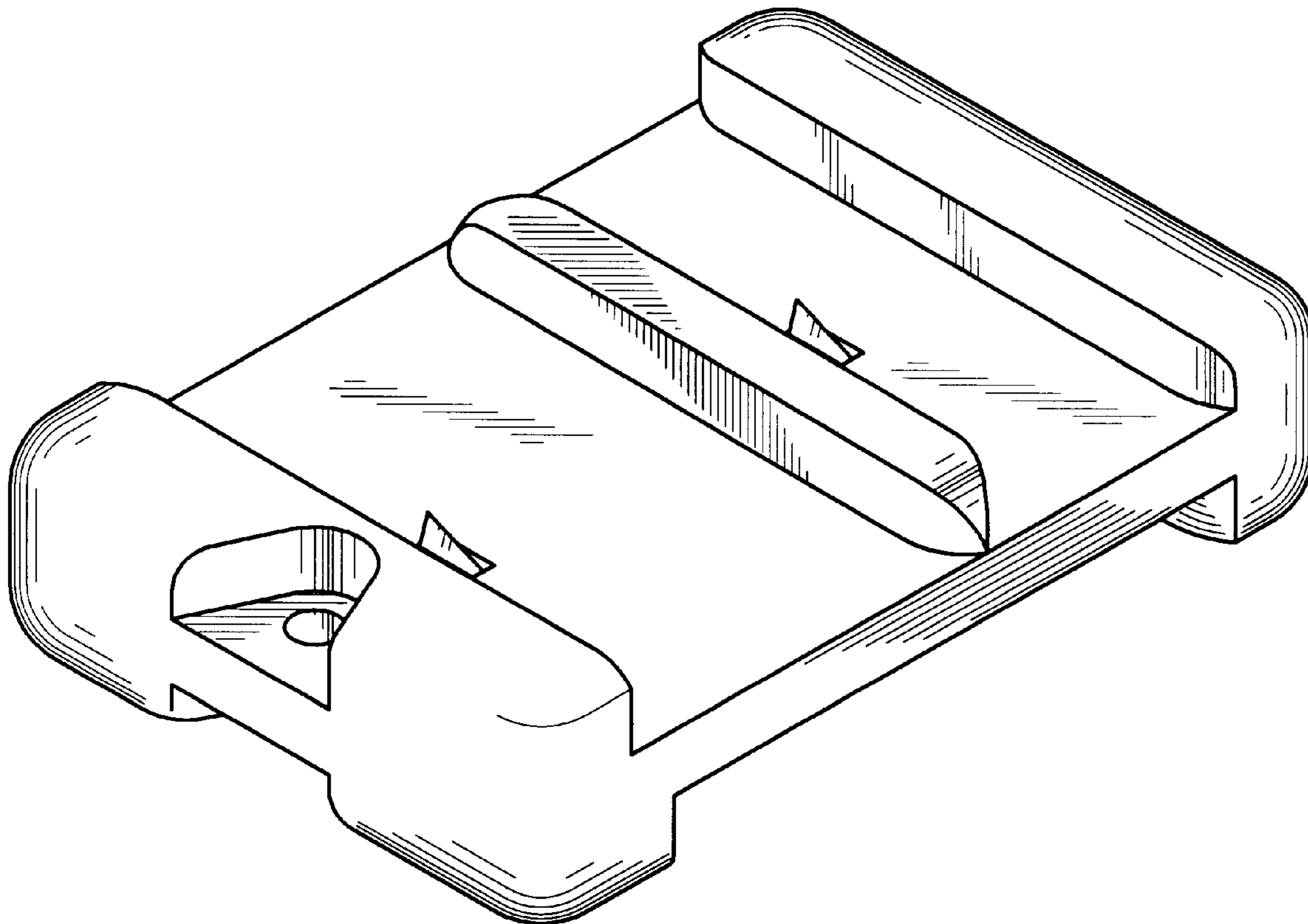
FIG. 1 is a top perspective view showing my new design;  
FIG. 2 is a bottom perspective view thereof;  
FIG. 3 is a top plan view thereof;  
FIG. 4 is a bottom plan view thereof;  
FIG. 5 is a front elevational view thereof;  
FIG. 6 is a rear elevational view thereof; and,  
FIG. 7 is a side elevational view thereof.

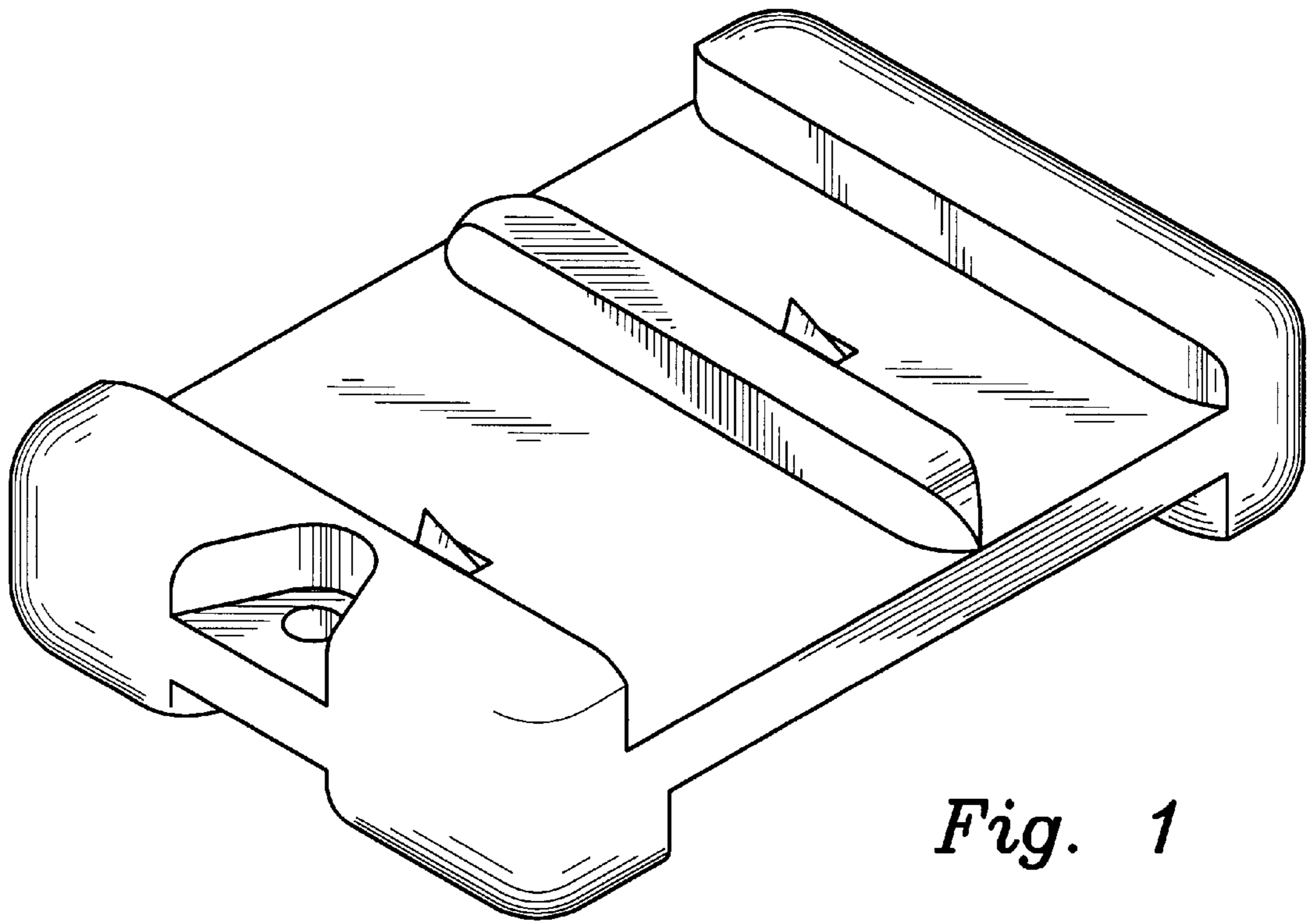
**1 Claim, 3 Drawing Sheets**

### [56] References Cited

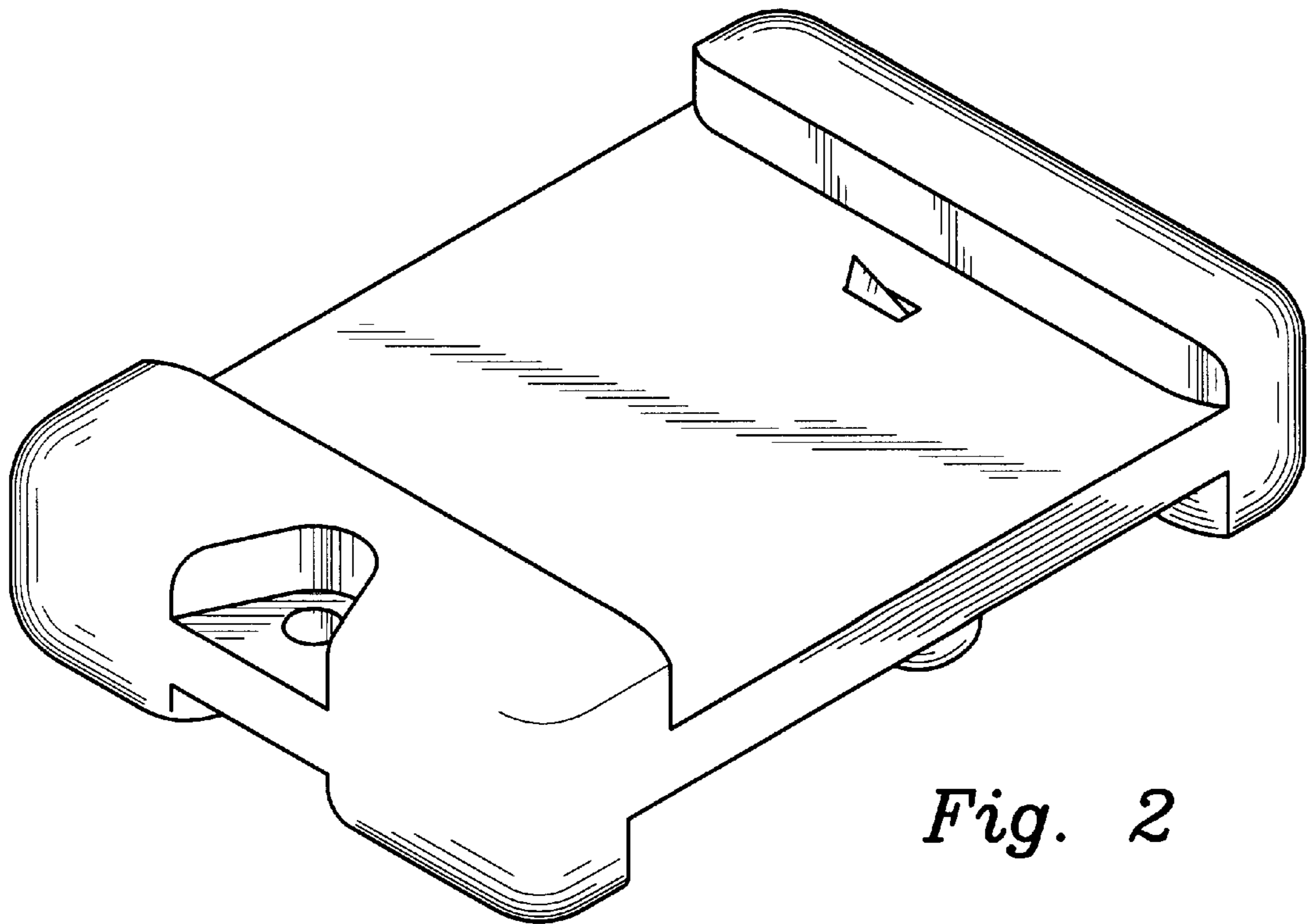
#### U.S. PATENT DOCUMENTS

D. 281,141	10/1985	Butler et al. ....	D8/98
D. 298,102	10/1988	Gugler ....	D8/98
2,573,381	10/1951	Arnold .	
3,065,540	11/1962	Magnatta .	
3,791,014	2/1974	Perna ....	30/294
4,001,934	1/1977	Bell ....	30/124
4,382,330	5/1983	Harbaugh ....	30/124
4,531,286	7/1985	Vito et al. ....	30/2

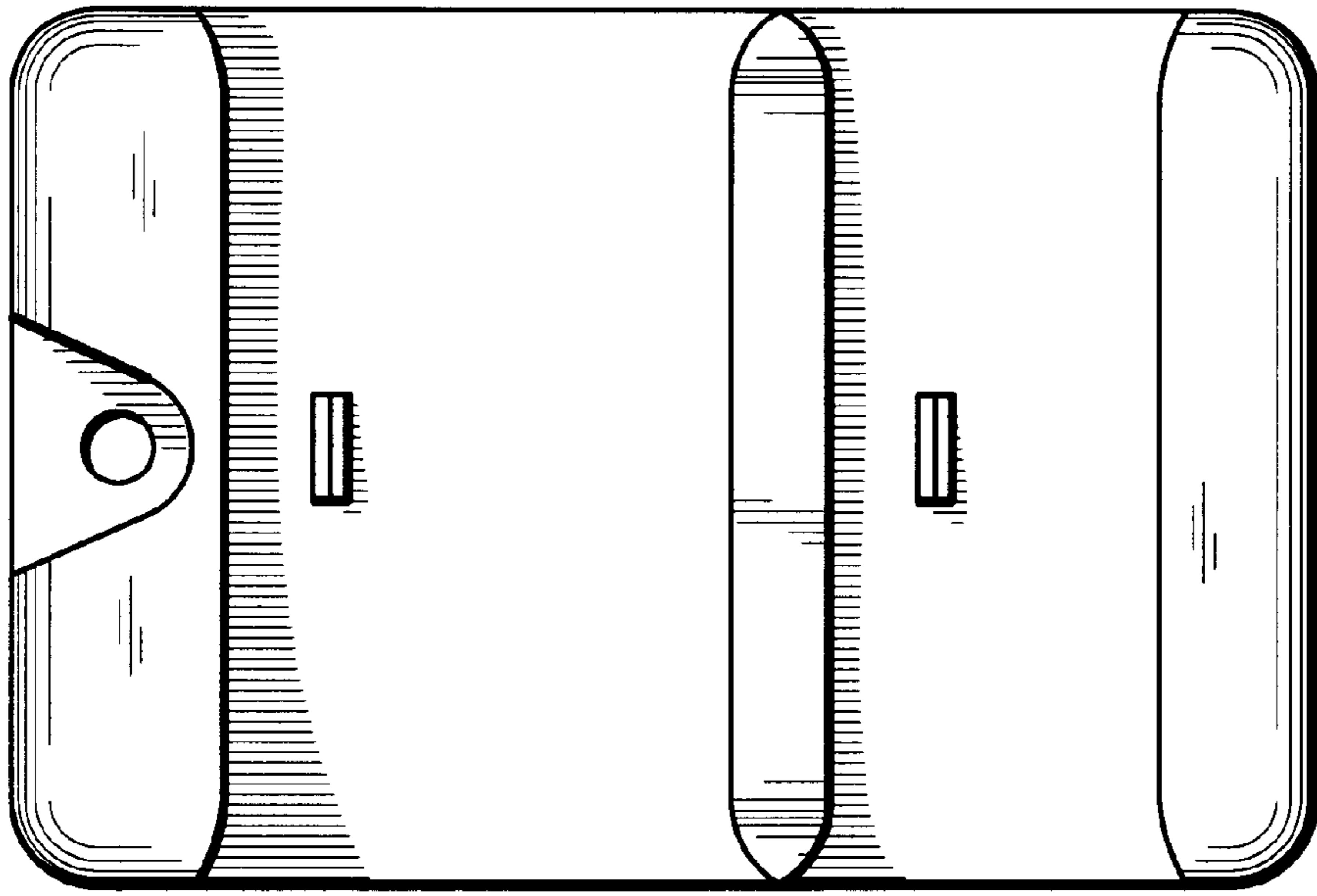




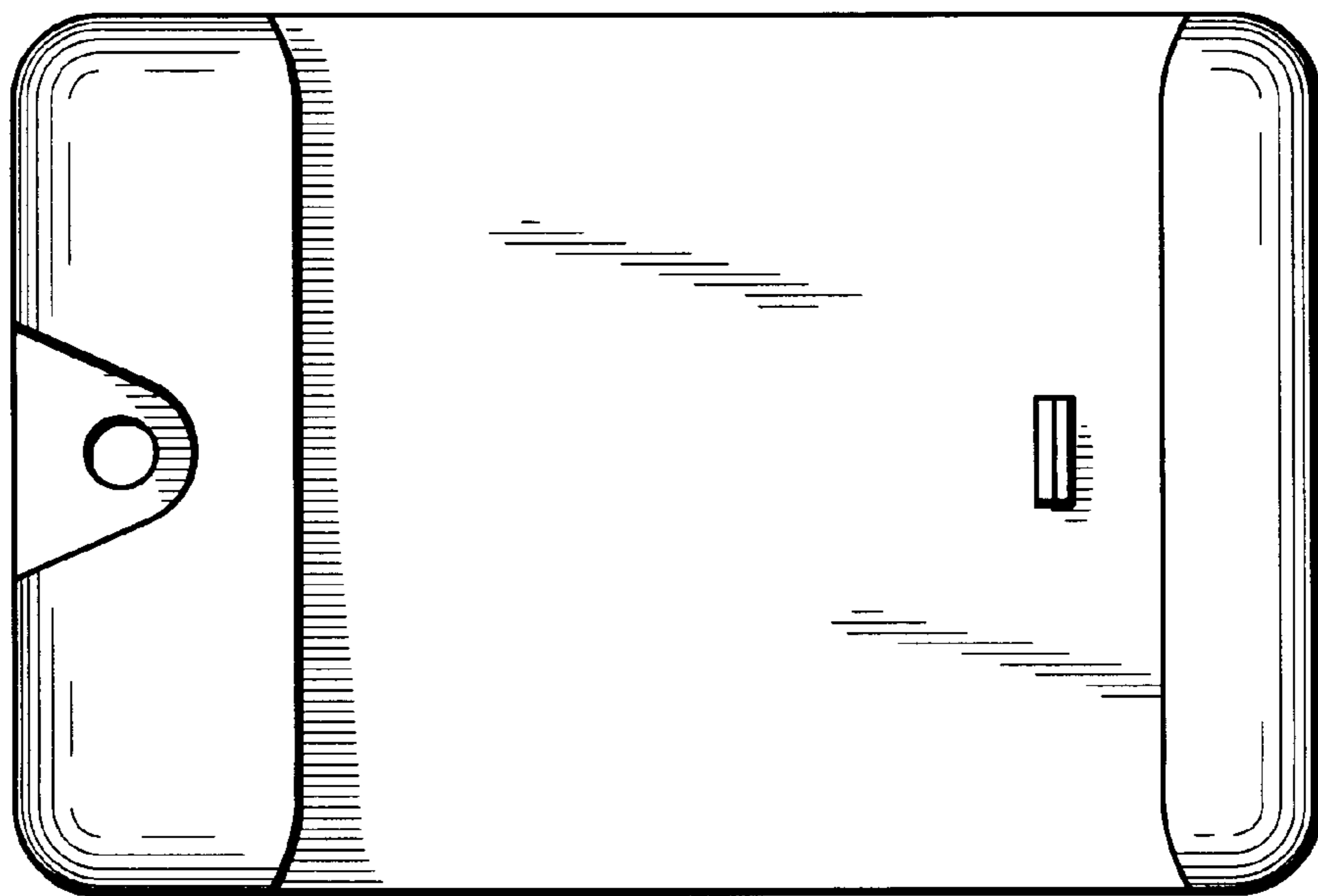
*Fig. 1*



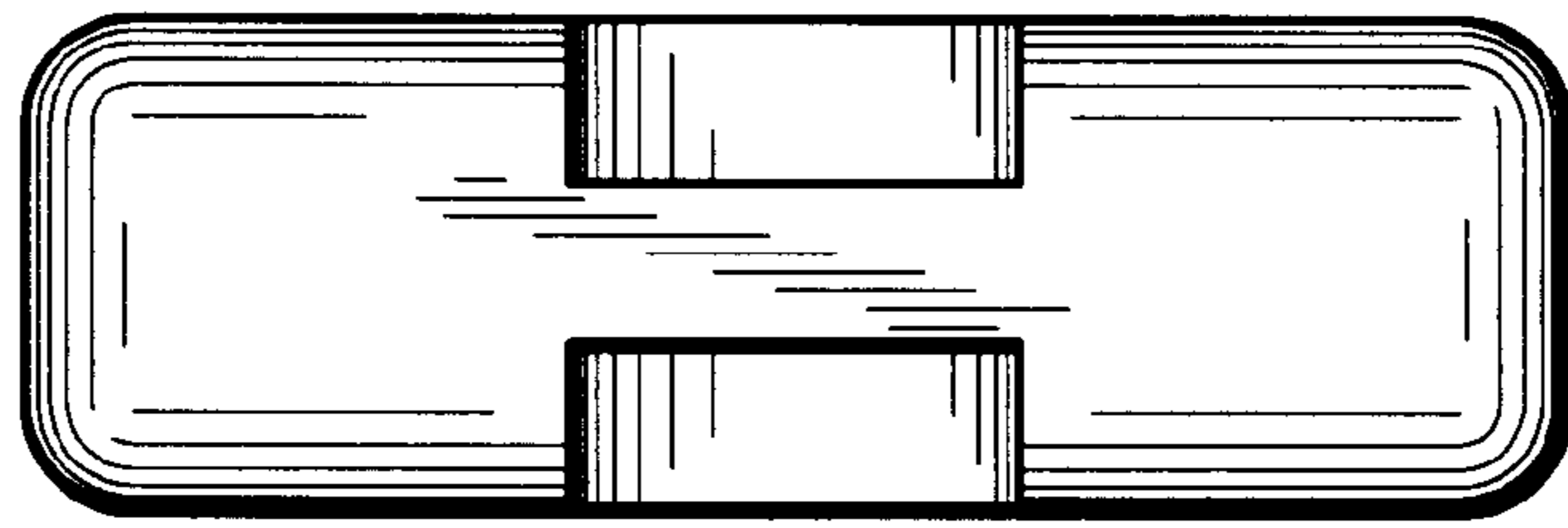
*Fig. 2*



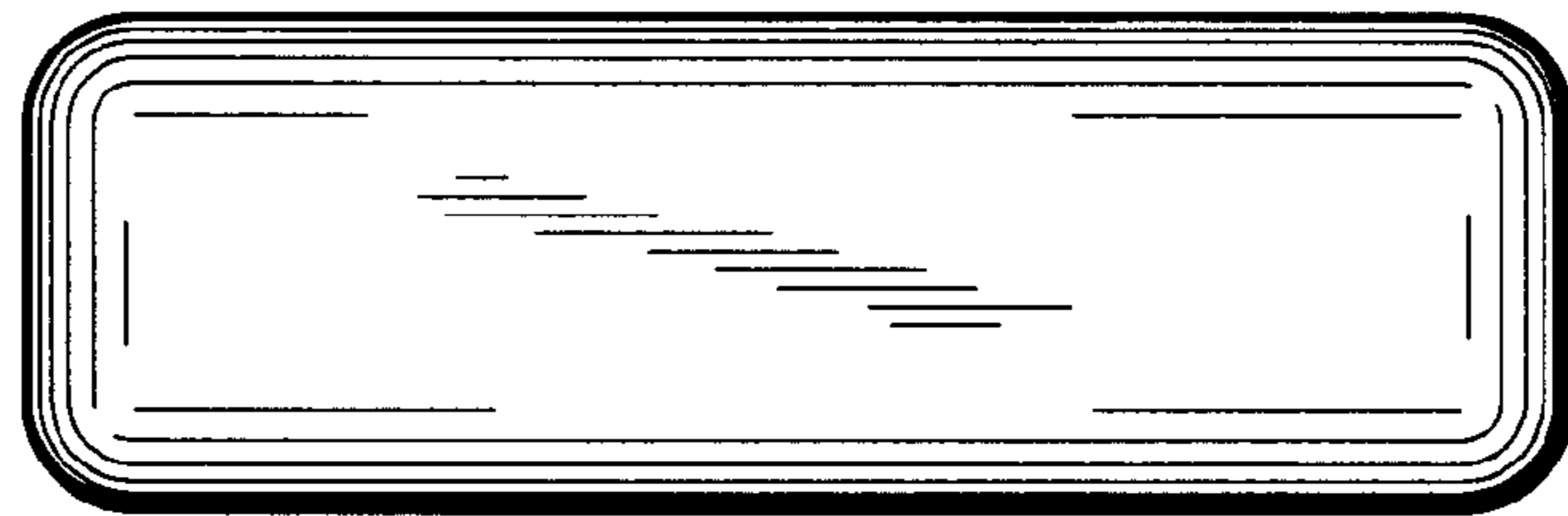
*Fig. 3*



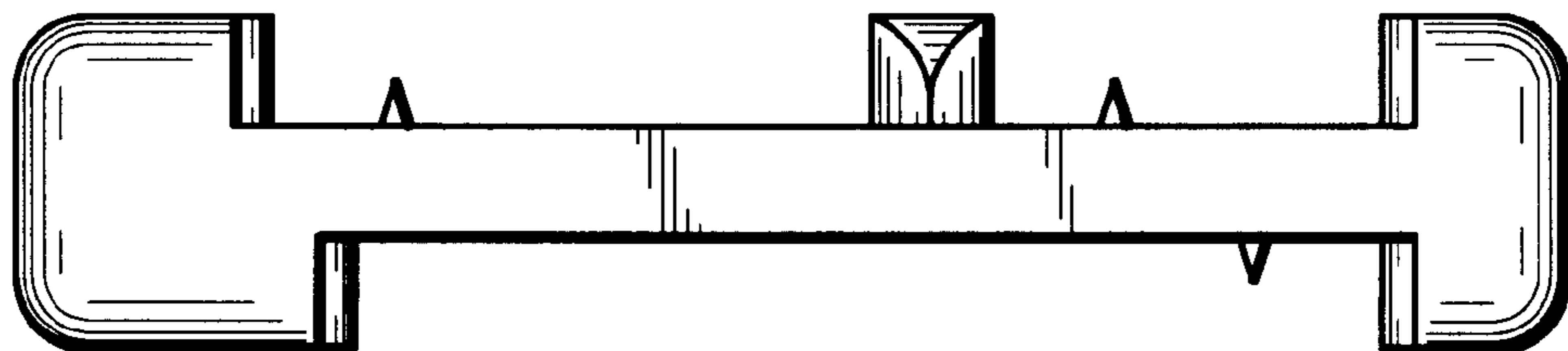
*Fig. 4*



*Fig. 5*



*Fig. 6*



*Fig. 7*