



US00D423313S

United States Patent [19] Edwards

[11] Patent Number: Des. 423,313

[45] Date of Patent: ** Apr. 25, 2000

[54] CAN OPENER

[75] Inventor: John Anthony Edwards, Seaford,
United Kingdom

[73] Assignee: Mitchell & Cooper Limited, Uckfield,
United Kingdom

[**] Term: 14 Years

[21] Appl. No.: 29/104,422

[22] Filed: May 4, 1999

[30] Foreign Application Priority Data

Feb. 19, 1999 [GB] United Kingdom 2081340

[51] LOC (6) Cl. 07-99

[52] U.S. Cl. D8/41; D8/33

[58] Field of Search D8/33-43, 18,
D8/19; 30/400-443; 81/3.07-3.49; 7/151-156

[56] References Cited

U.S. PATENT DOCUMENTS

D. 174,858	5/1955	Greco et al.	D8/33
528,371	10/1894	Keller .	
1,534,932	4/1925	Edlund	30/416
1,537,110	5/1925	Edlund	30/416
1,713,823	5/1929	Edlund	30/416
1,974,671	9/1934	Egan .	
2,508,106	5/1950	Edlund	30/416

2,725,622	12/1955	Geier	30/447
4,651,962	3/1987	Helgesson .	
4,652,243	3/1987	Crosslen .	
4,689,886	9/1987	Bernazzani et al. .	
5,052,110	10/1991	Bartlett .	

FOREIGN PATENT DOCUMENTS

986574	3/1951	France .	
15696	of 1907	United Kingdom .	
259410	10/1926	United Kingdom .	

Primary Examiner—Jeffrey Asch
Attorney, Agent, or Firm—Bryan Cave LLP

[57] CLAIM

The ornamental design for a can opener, as shown and described.

DESCRIPTION

FIG. 1 is a front view of the can opener.
FIG. 2 is a view of one side of the can opener, the other side being the same.
FIG. 3 is a perspective view of the can opener from the front and to one side.
FIG. 4 is a perspective view of the can opener from the back to one side.
FIG. 5 is a back view of the can opener.
FIG. 6 is a plan view of the can opener from above; and, FIG. 7 is a plan view of the can opener from below.

1 Claim, 5 Drawing Sheets

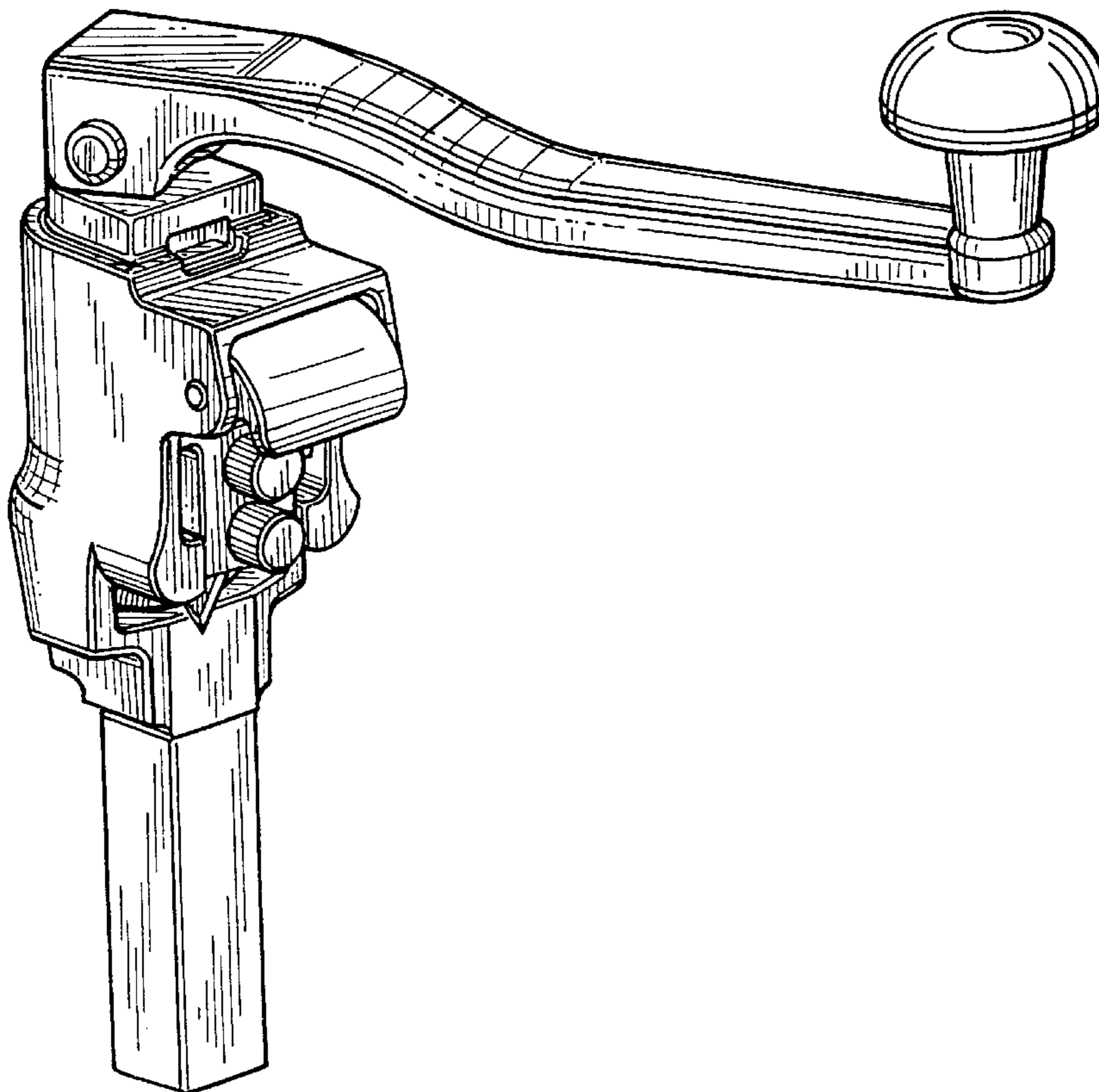


FIG. 1

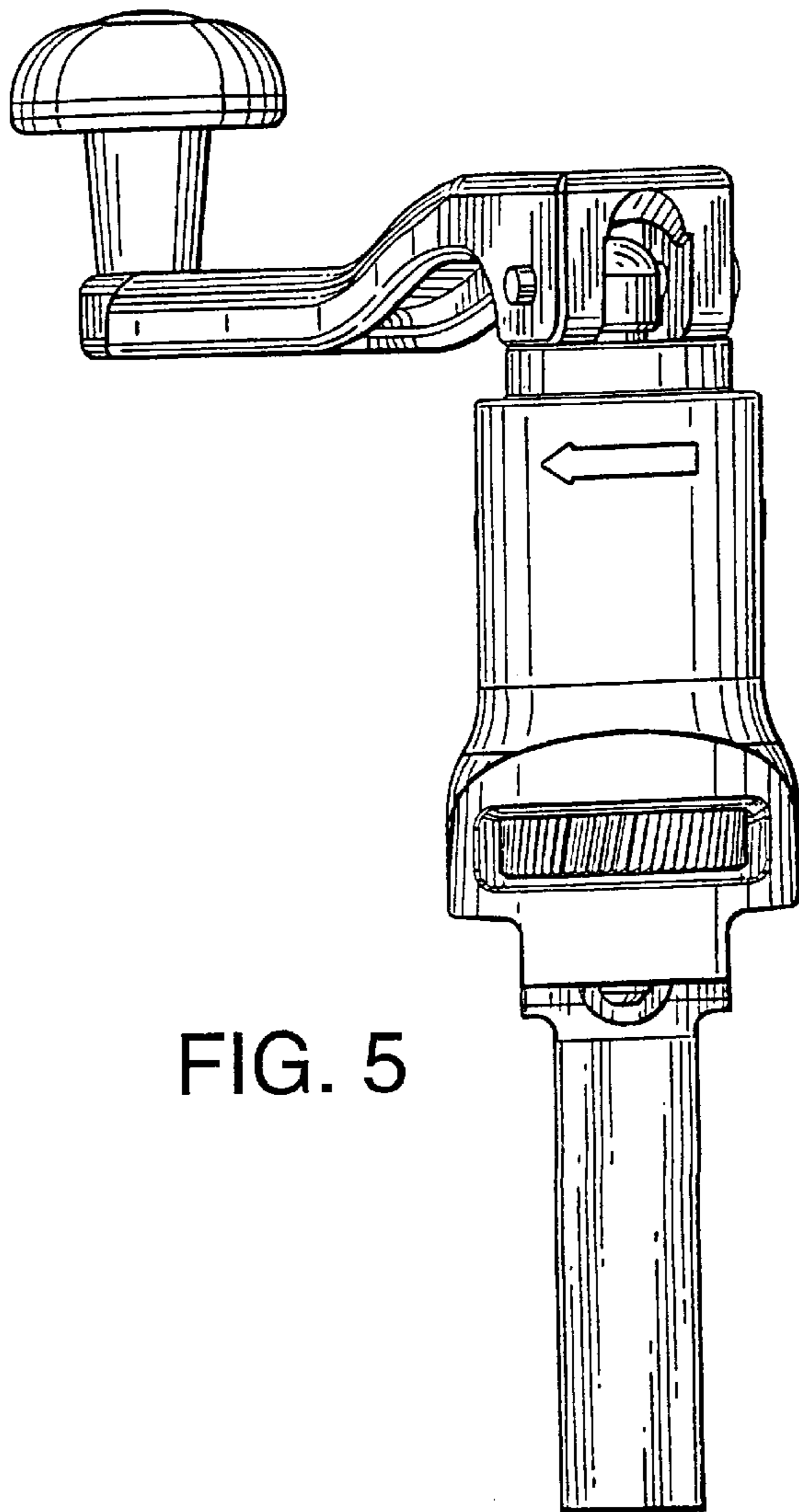
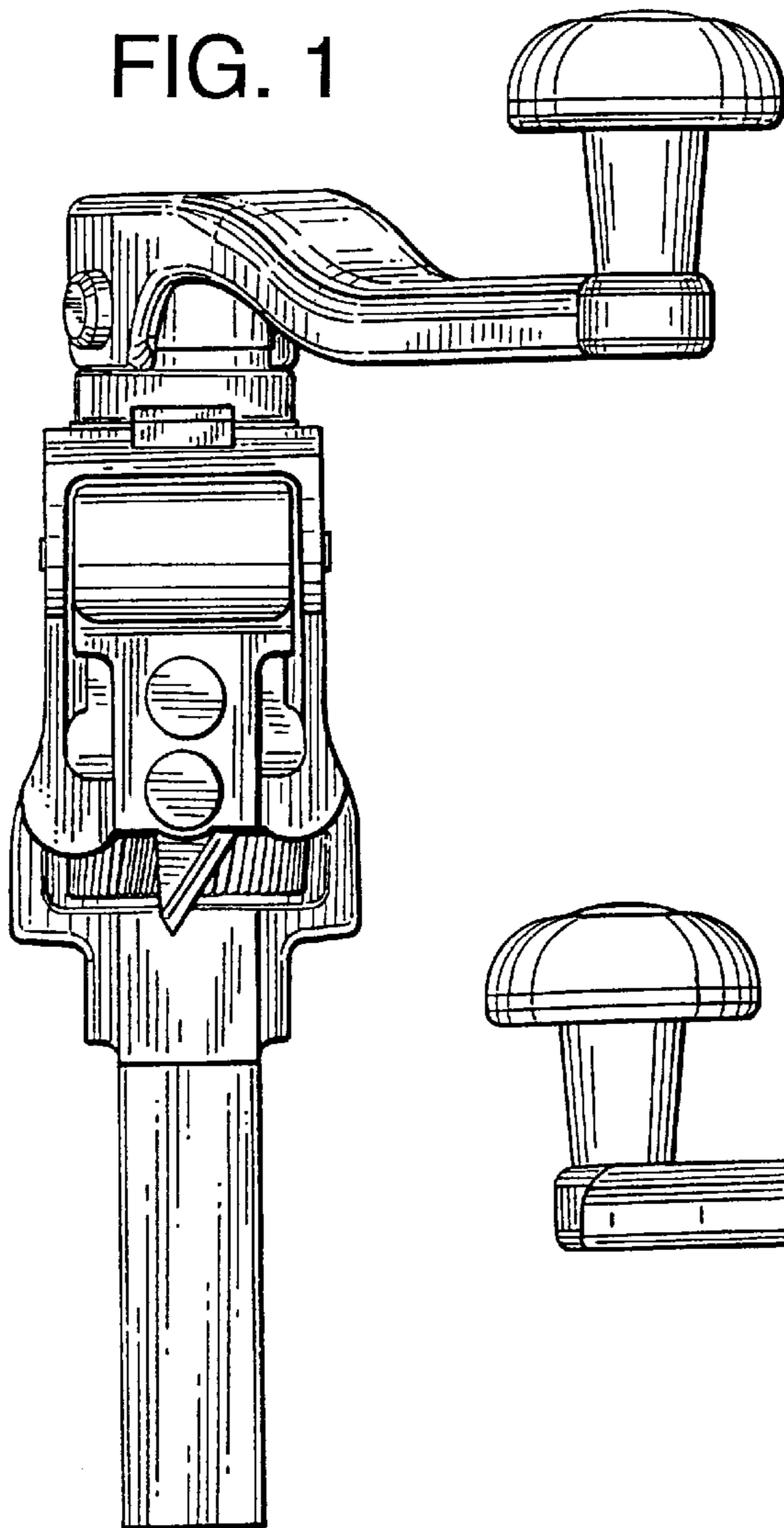


FIG. 5

FIG. 2

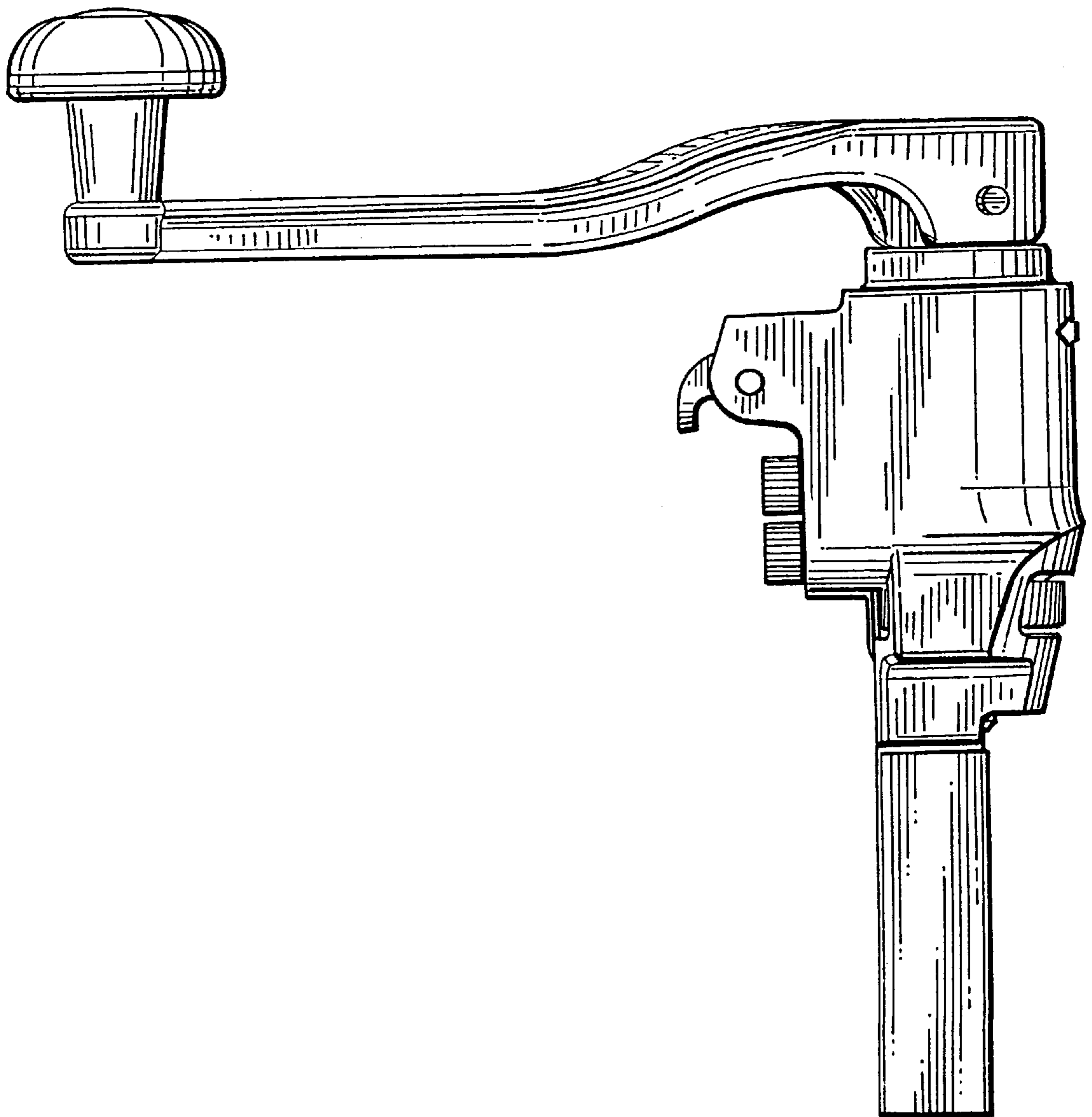


FIG. 3

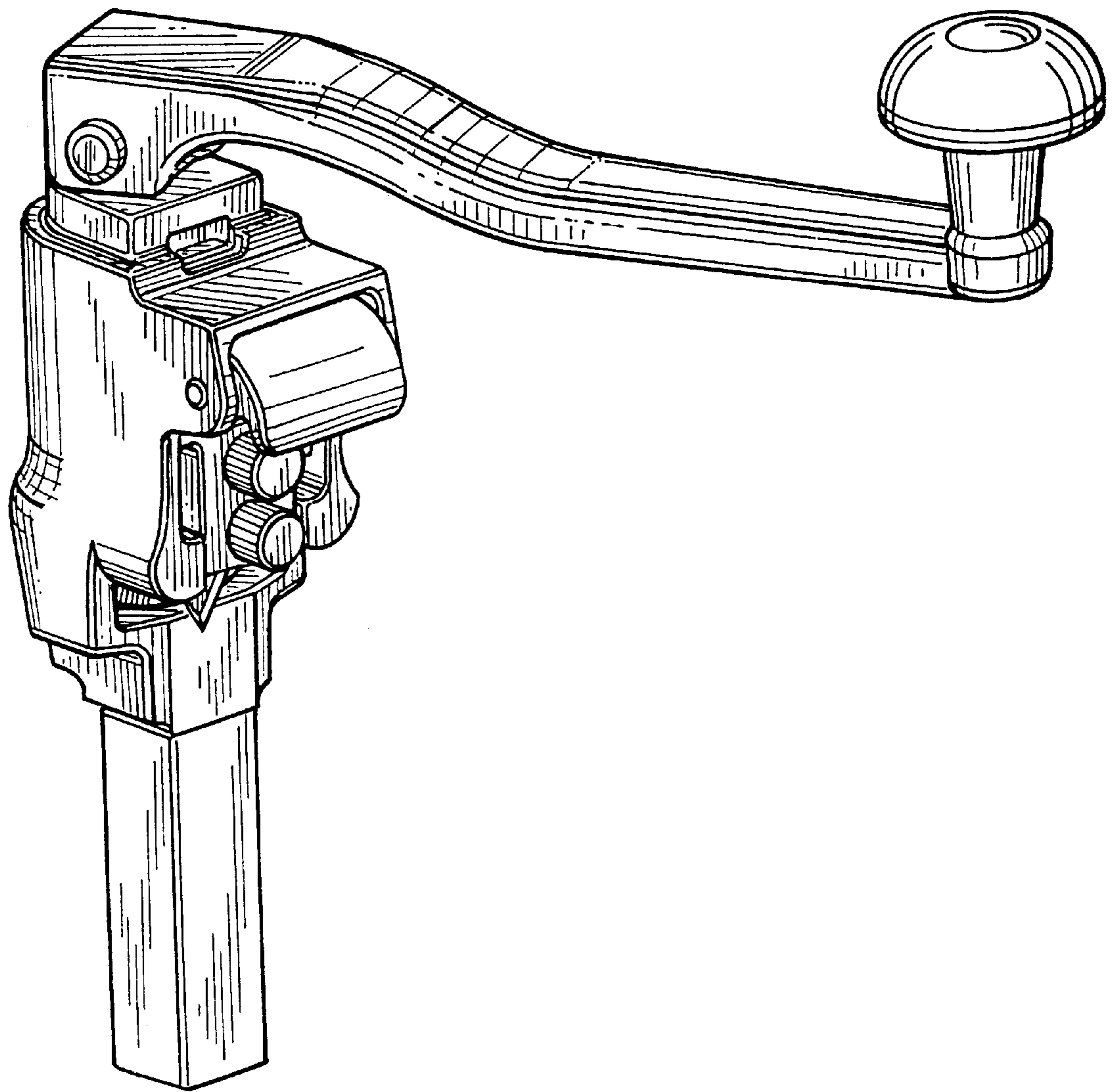


FIG. 4

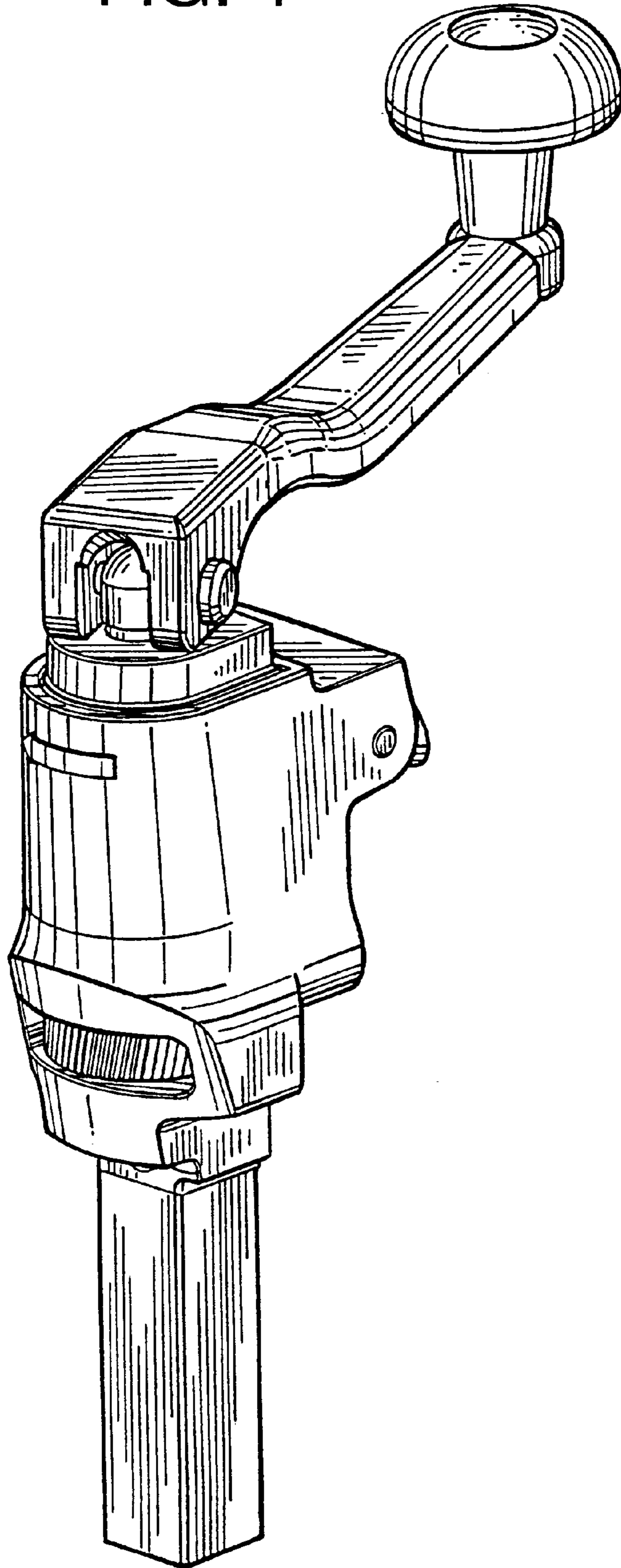


FIG. 6

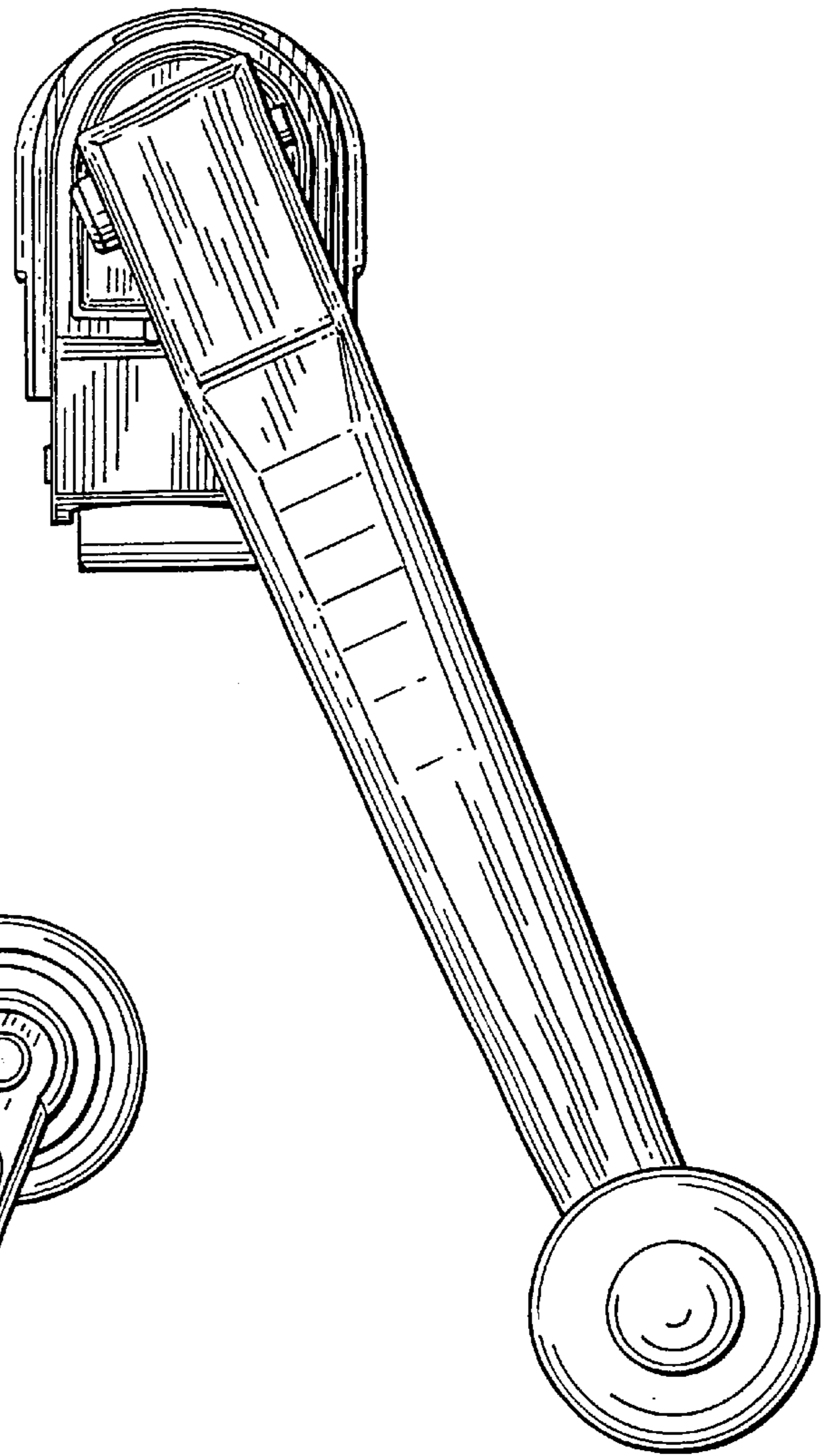
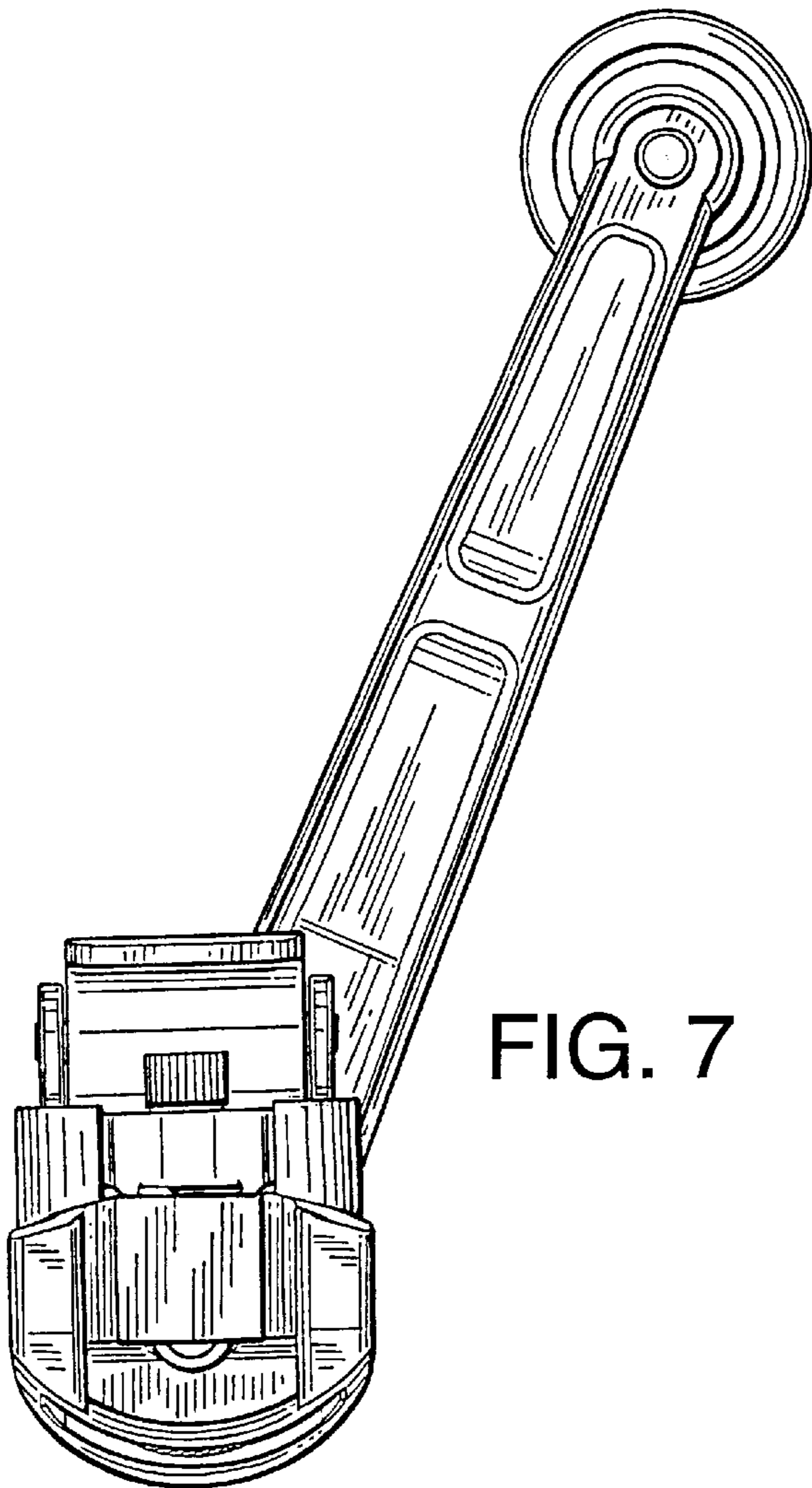


FIG. 7



UNITED STATES PATENT AND TRADEMARK OFFICE
CERTIFICATE OF CORRECTION

PATENT NO. : Des 423,313
DATED : April 25, 2000
INVENTOR(S) : John Anthony Edwards

Page 1 of 1

It is certified that error appears in the above-identified patent and that said Letters Patent is hereby corrected as shown below:

Title page,

After Item [30], "Foreign Application Priority Data" the following second priority claim should appear:

-- Nov. 20, 1998 [GB] United Kingdom 2079269 --

Signed and Sealed this

Thirteenth Day of November, 2001

Attest:

Nicholas P. Godici

Attesting Officer

NICHOLAS P. GODICI
Acting Director of the United States Patent and Trademark Office