



US00D423311S

# United States Patent [19] Fitzpatrick

[11] Patent Number: **Des. 423,311**

[45] Date of Patent: **\*\* Apr. 25, 2000**

[54] **ELECTRIC CAN OPENER**

[76] Inventor: **John J. Fitzpatrick**, 2109 Broadway,  
Suite 203, New York, N.Y. 10023

[\*\*] Term: **14 Years**

[21] Appl. No.: **29/104,053**

[22] Filed: **Apr. 27, 1999**

[51] **LOC (6) Cl.** ..... **07-99**

[52] **U.S. Cl.** ..... **D8/36**

[58] **Field of Search** ..... D8/33-43; 30/400-443;  
81/3.07-3.49; 7/151-156

3,105,297 10/1963 Clowers ..... 30/410  
 3,313,023 4/1967 Jepson et al. .... 30/347  
 5,052,110 10/1991 Bartlett ..... 30/434

*Primary Examiner*—Jeffrey Asch  
*Attorney, Agent, or Firm*—Kenyon & Kenyon

### [57] CLAIM

The ornamental design for an electrical can opener, as shown and described.

### DESCRIPTION

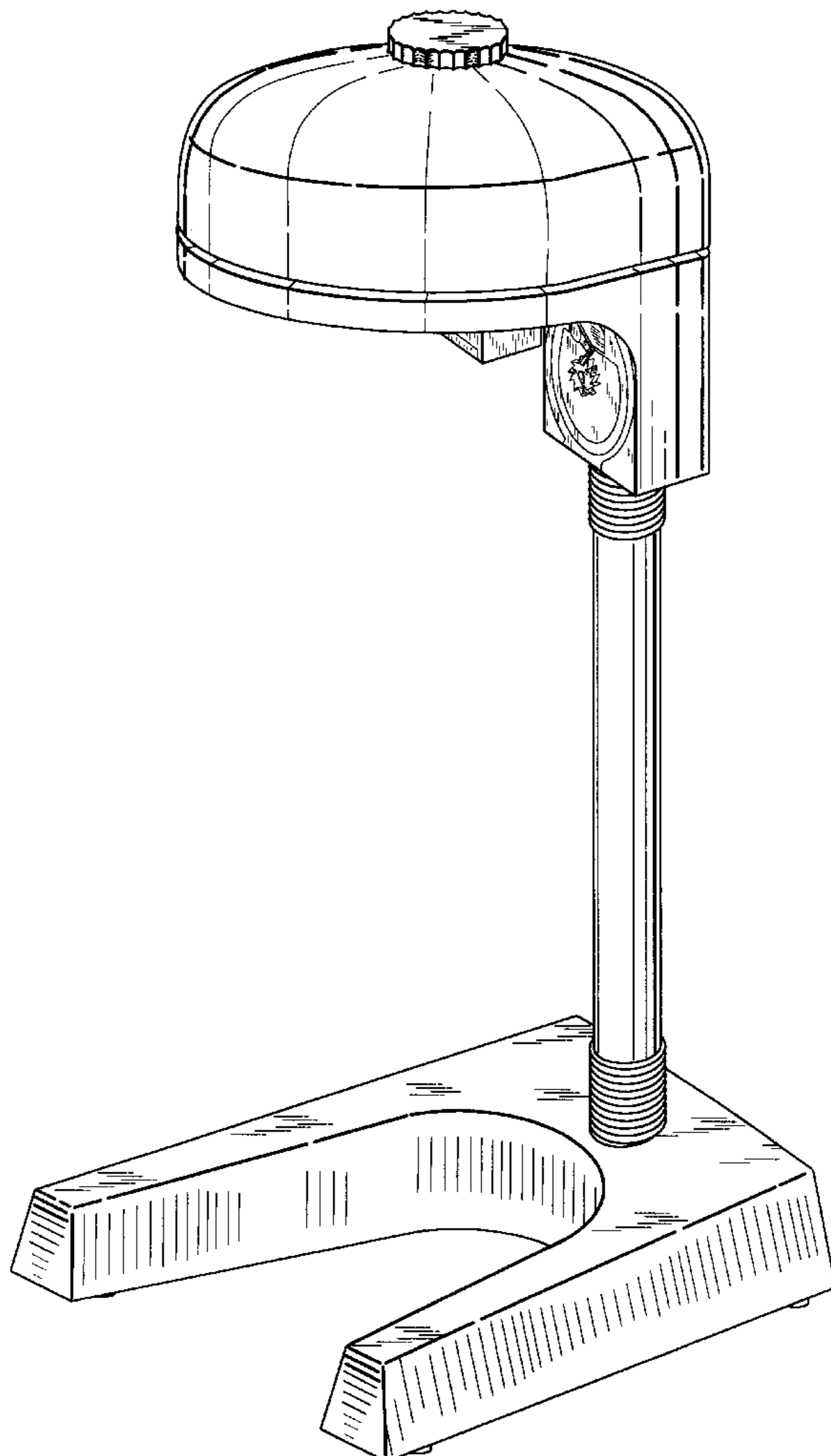
FIG. 1 shows a front elevation view of an electrical can opener according to my design;  
 FIG. 2 shows a side elevation view of the electrical can opener illustrated in FIG. 1;  
 FIG. 3 shows a rear plan view of the electrical can opener illustrated in FIG. 1;  
 FIG. 4 shows a top plan view of the electrical can opener illustrated in FIG. 1;  
 FIG. 5 shows a bottom plan view of the electrical can opener illustrated in FIG. 1; and,  
 FIG. 6 shows a perspective view of the electrical can opener illustrated in FIG. 1.

### [56] References Cited

#### U.S. PATENT DOCUMENTS

D. 180,241	5/1957	Meador	.....	D8/36
D. 181,012	9/1957	Madl	.....	D8/36
D. 183,714	10/1958	Bodle	.....	D8/35
D. 191,266	9/1961	Madl	.....	D8/36
D. 283,870	5/1986	Yamamoto et al.	.....	D8/36
D. 308,159	5/1990	Stitzer	.....	D8/35
D. 319,169	8/1991	Van Asten	.....	D8/36
D. 409,063	5/1999	Chan	.....	D8/36
2,725,622	12/1955	Geier	.....	30/447

**1 Claim, 5 Drawing Sheets**



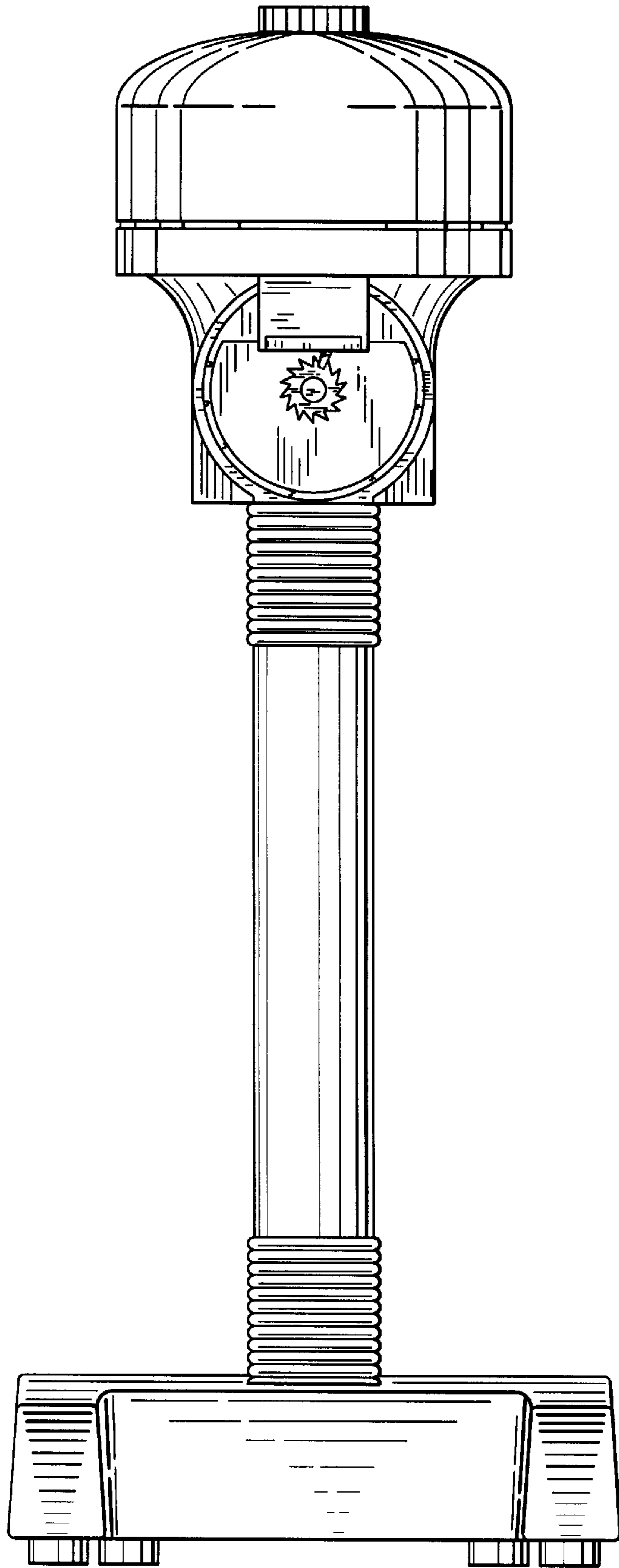


Fig. 1

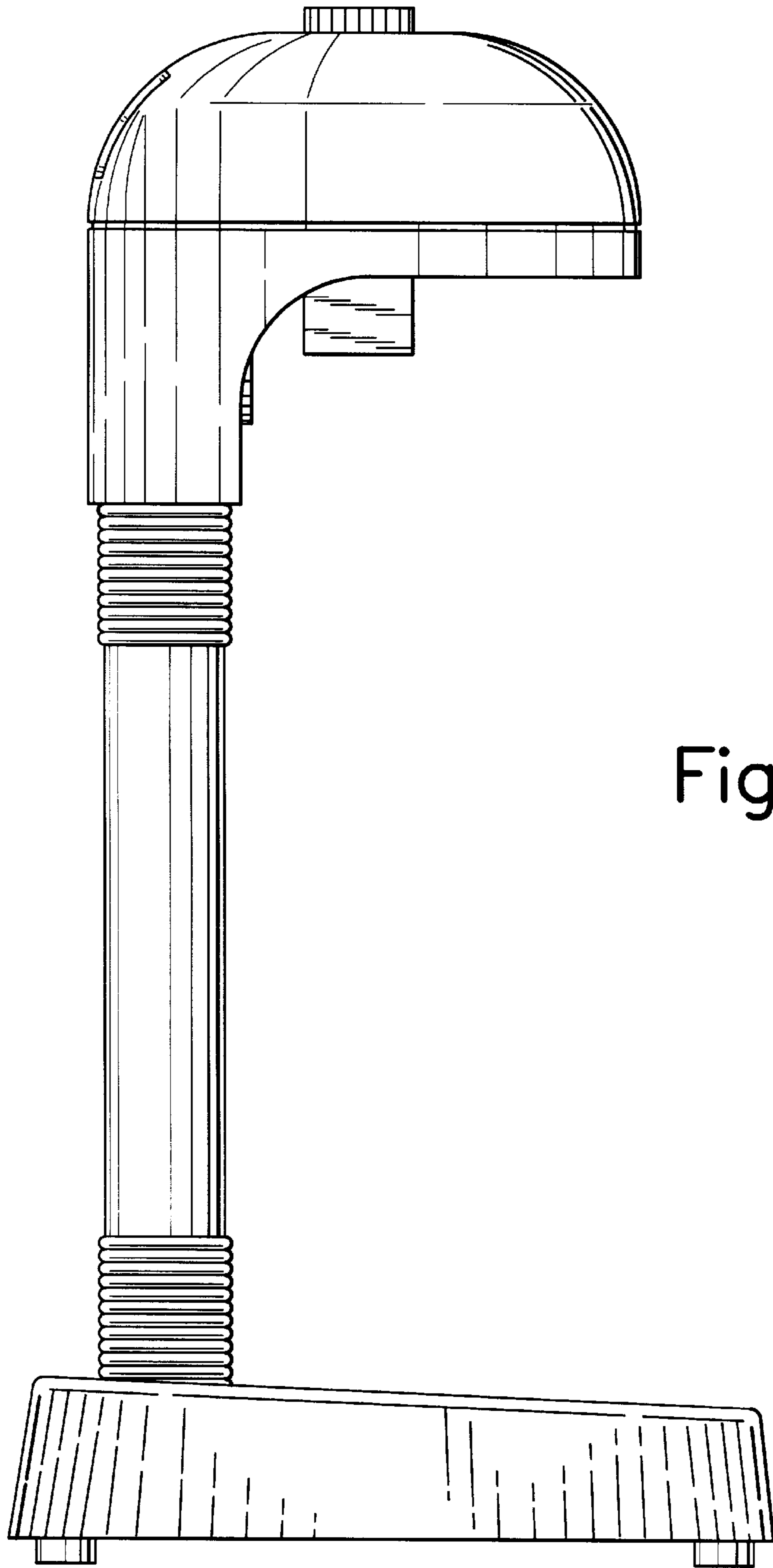


Fig. 2

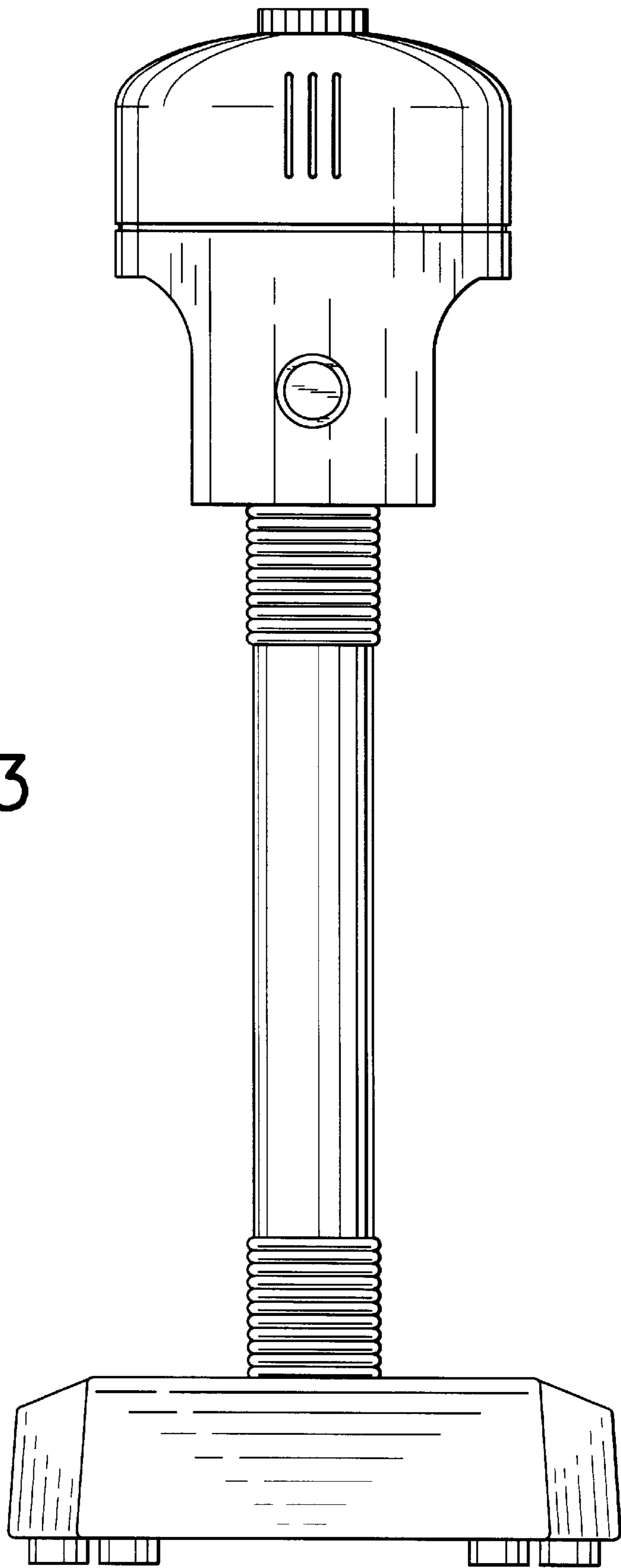


Fig. 3

Fig. 4

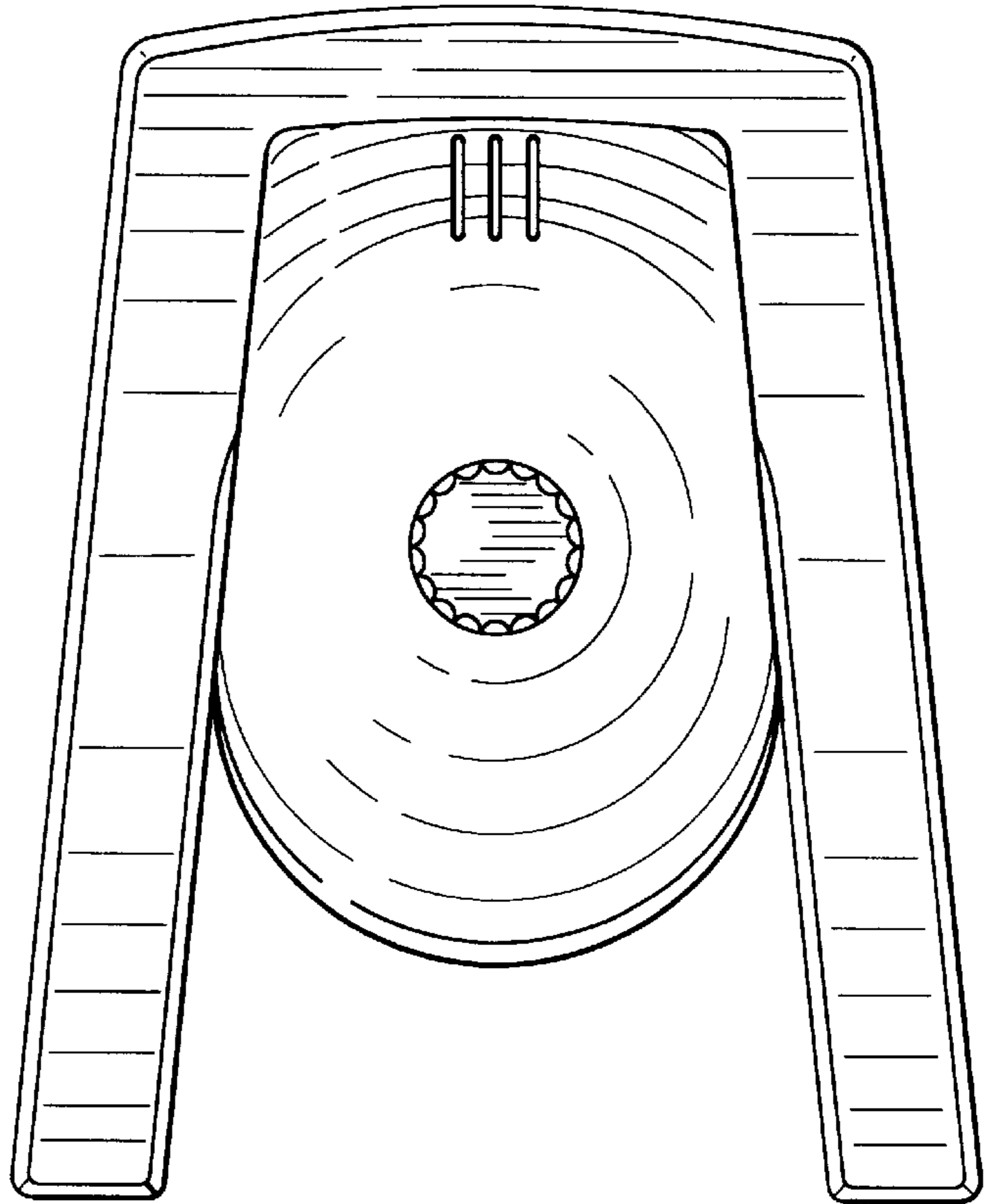
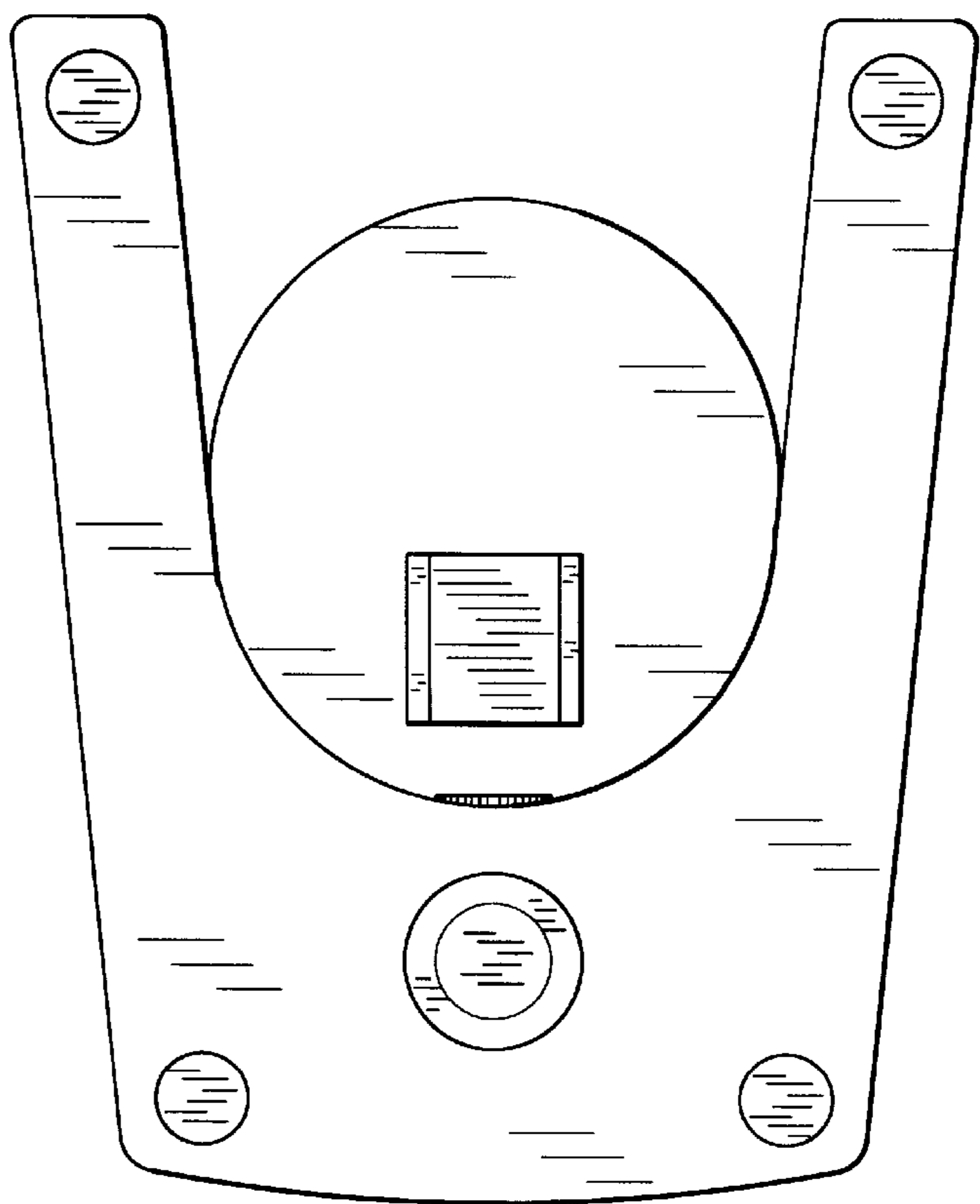


Fig. 5



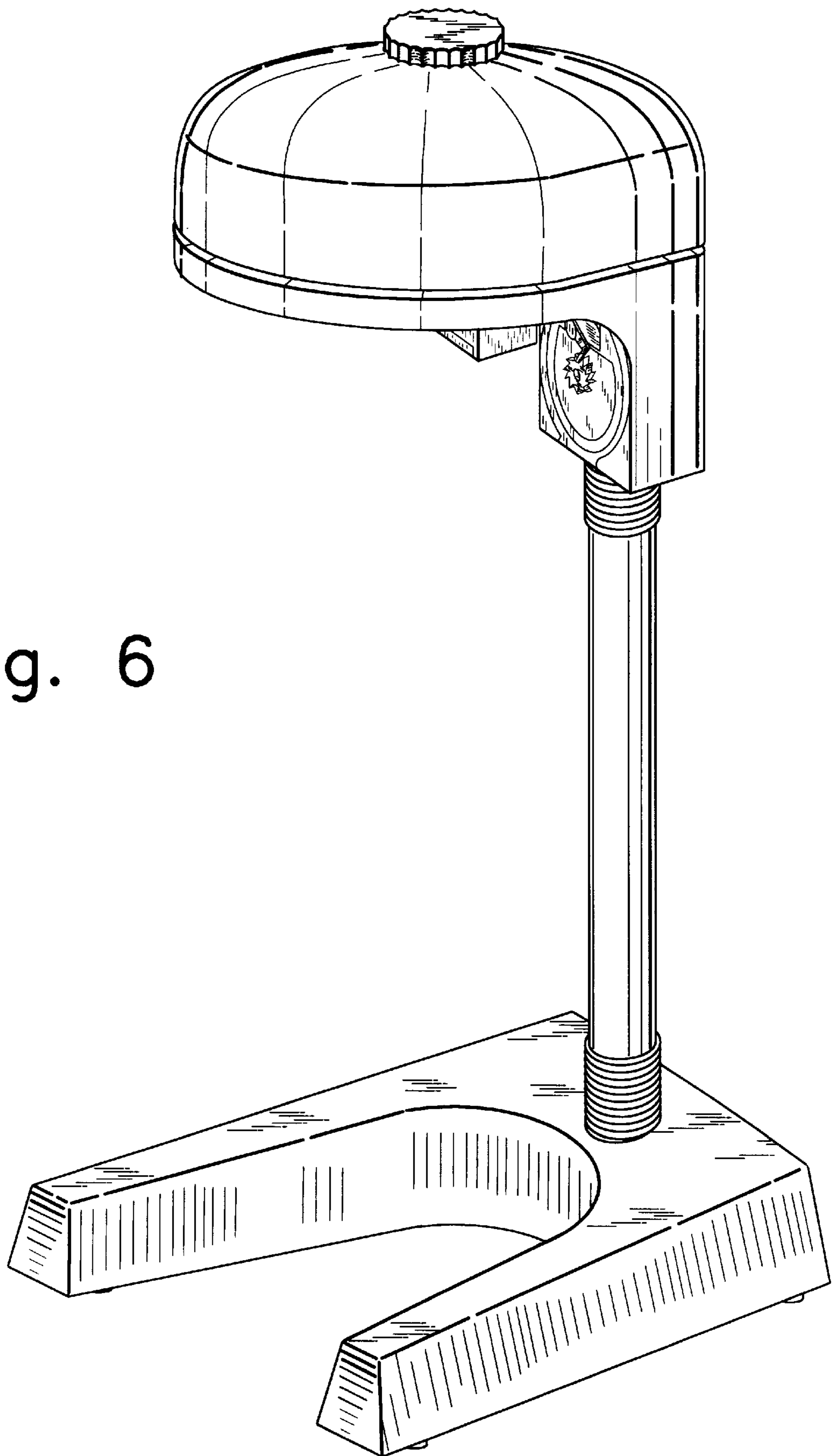


Fig. 6