



US00D423310S

**United States Patent** [19]  
**Hasson**

[11] **Patent Number: Des. 423,310**

[45] **Date of Patent: \*\* Apr. 25, 2000**

[54] **POCKET TOOL**

3,713,200 1/1973 Burns ..... 29/267  
4,199,833 4/1980 Sitkins et al. .... 7/166  
5,031,881 7/1991 Thurmston ..... 254/28

[75] Inventor: **Jack L. Hasson**, Arnold, Mo.

[73] Assignee: **Alexander Manufacturing Company**,  
St. Louis, Mo.

*Primary Examiner*—Philip S. Hyder  
*Attorney, Agent, or Firm*—Polster, Lieder, Woodruff &  
Lucchesi, L.C.

[\*\*] Term: **14 Years**

[57] **CLAIM**

[21] Appl. No.: **29/104,494**

The ornamental design for a pocket tool, as shown and described.

[22] Filed: **May 6, 1999**

**DESCRIPTION**

[51] **LOC (6) Cl.** ..... **08-05**

[52] **U.S. Cl.** ..... **D8/14**

[58] **Field of Search** ..... D8/14, 48, 88,  
D8/87, 89, 16; 254/25, 28; 7/166; 29/276,  
229, 267

FIG. 1 is a perspective view of a pocket tool, showing my new design;

FIG. 2 is a top view thereof;

FIG. 3 is a bottom view thereof;

FIG. 4 is a left side elevational view thereof;

FIG. 5 is a right side elevational view thereof;

FIG. 6 is a front end elevational view thereof; and,

FIG. 7 is a rear end elevational view thereof.

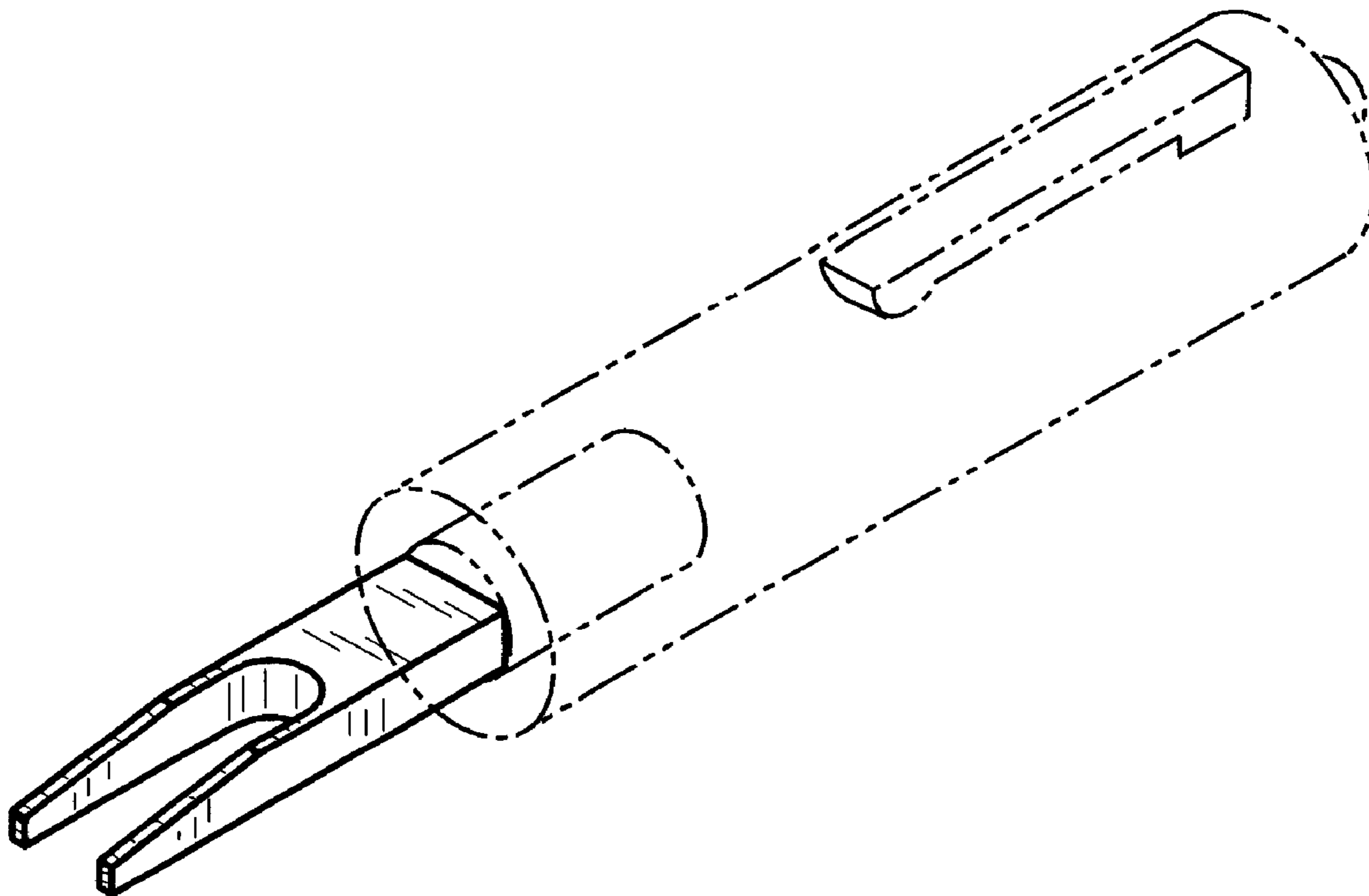
The broken line portions of the disclosure are for illustrative purposes only and form no part of the claimed design.

[56] **References Cited**

**U.S. PATENT DOCUMENTS**

D. 271,372 11/1983 Fortune ..... D8/14  
D. 318,996 8/1991 Israelson ..... D8/14  
D. 340,634 10/1993 Lipic ..... D8/87  
3,698,689 10/1972 Poskin ..... 254/28

**1 Claim, 1 Drawing Sheet**



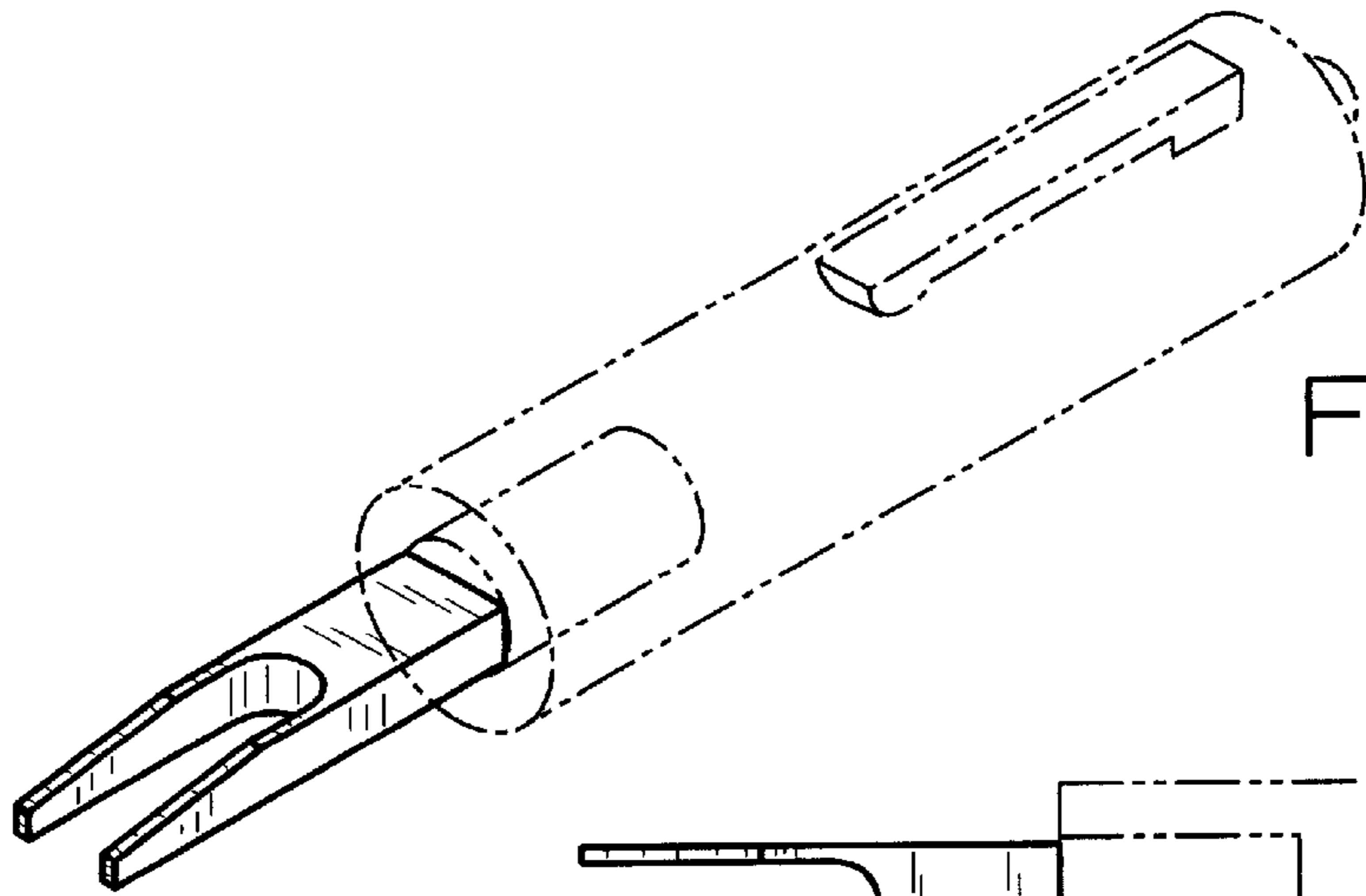


FIG. 1

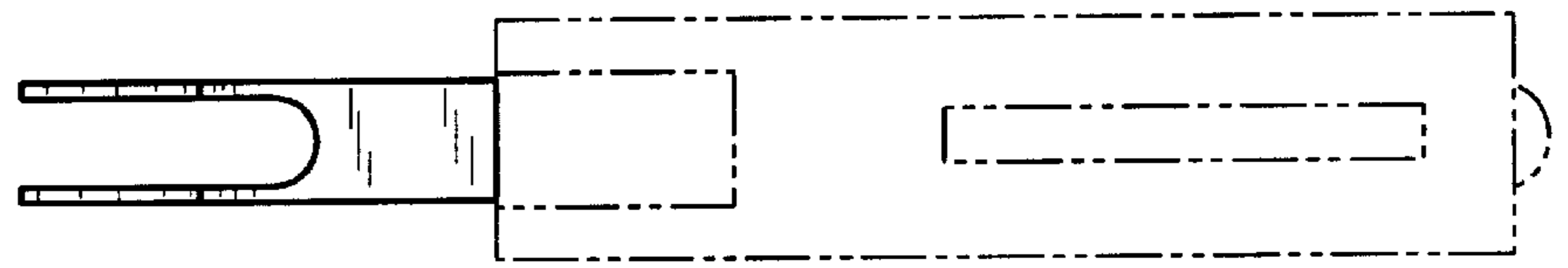


FIG. 2

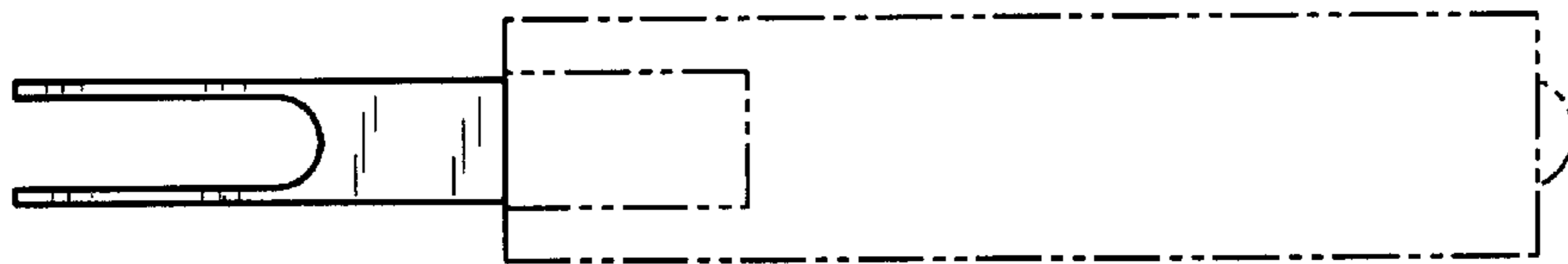


FIG. 3

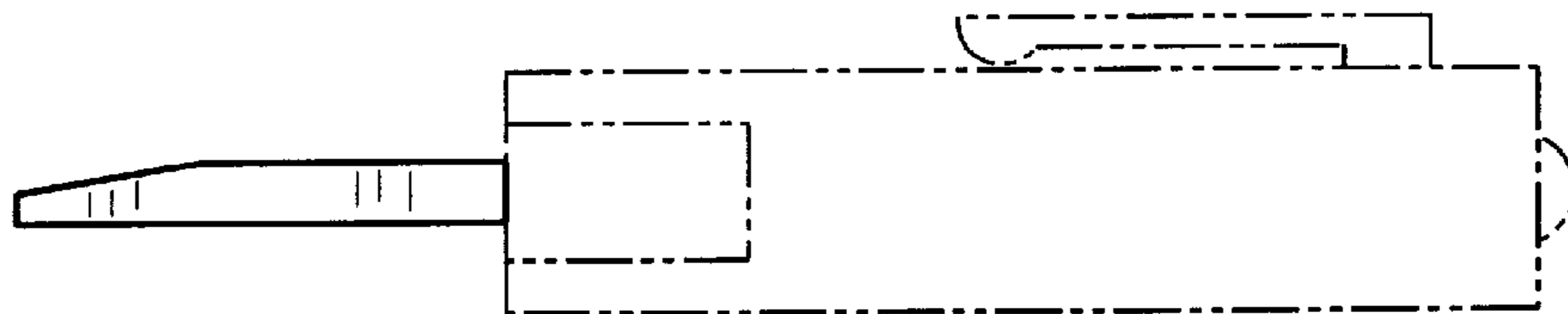


FIG. 4

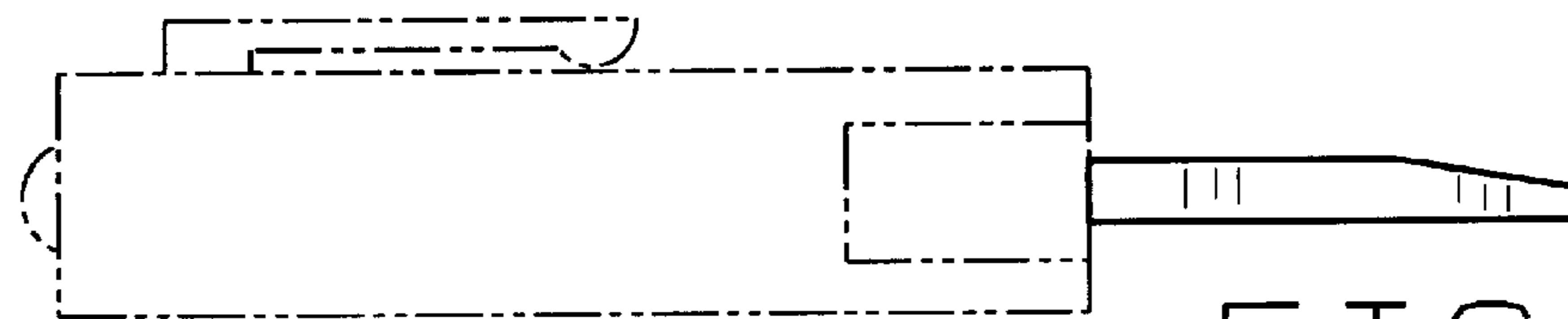


FIG. 5

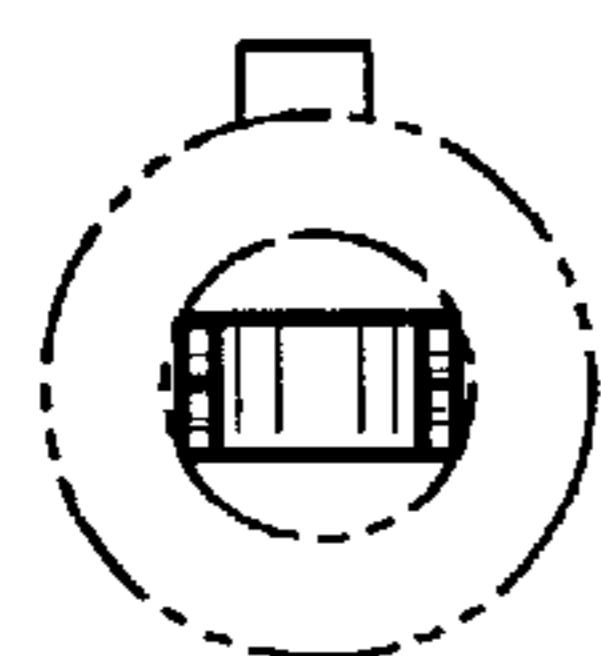


FIG. 6

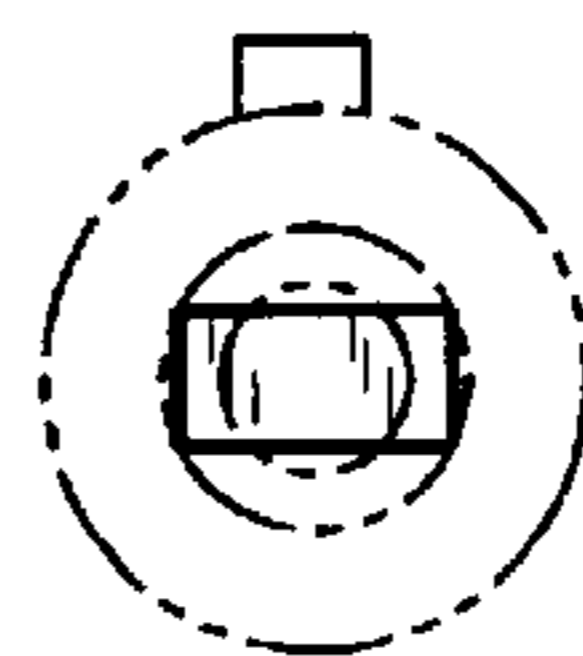


FIG. 7