



US00D423308S

United States Patent [19]
Marshall et al.

[11] **Patent Number: Des. 423,308**
[45] **Date of Patent: ** Apr. 25, 2000**

[54] **LAWN EDGER**

5,029,435 7/1991 Buchanan 56/12.1
5,263,303 11/1993 Stroud 56/12.7

[75] Inventors: **James Marshall**, Mallorytown;
Richard Rosa, Kingston; **Jacob R. Prosper**, Brockville, all of Canada;
Vincent Paul Cooper, Baltimore, Md.

Primary Examiner—Holly Baynham
Attorney, Agent, or Firm—Ajay K. Gambhir

[73] Assignee: **Black & Decker Inc.**, Newark, Del.

[**] Term: **14 Years**

[57] **CLAIM**

The ornamental design for a lawn edger, as shown and described.

[21] Appl. No.: **29/085,485**

DESCRIPTION

[22] Filed: **Mar. 24, 1998**

FIG. 1 is a front perspective view of the design;
FIG. 2 is a front elevation of the design;
FIG. 3 is a rear elevation of the design;
FIG. 4 is a side elevation of the design;
FIG. 5 is an opposite side elevation of the design;
FIG. 6 is a top plan view of the design; and,
FIG. 7 is an enlarged perspective view.

[51] **LOC (6) Cl.** **08-05**

[52] **U.S. Cl.** **D8/8**

[58] **Field of Search** D8/1, 8; 56/12.1,
56/12.7, 17.1; 30/276

[56] **References Cited**

U.S. PATENT DOCUMENTS

D. 360,563 7/1995 Griffin et al. D8/1

1 Claim, 6 Drawing Sheets

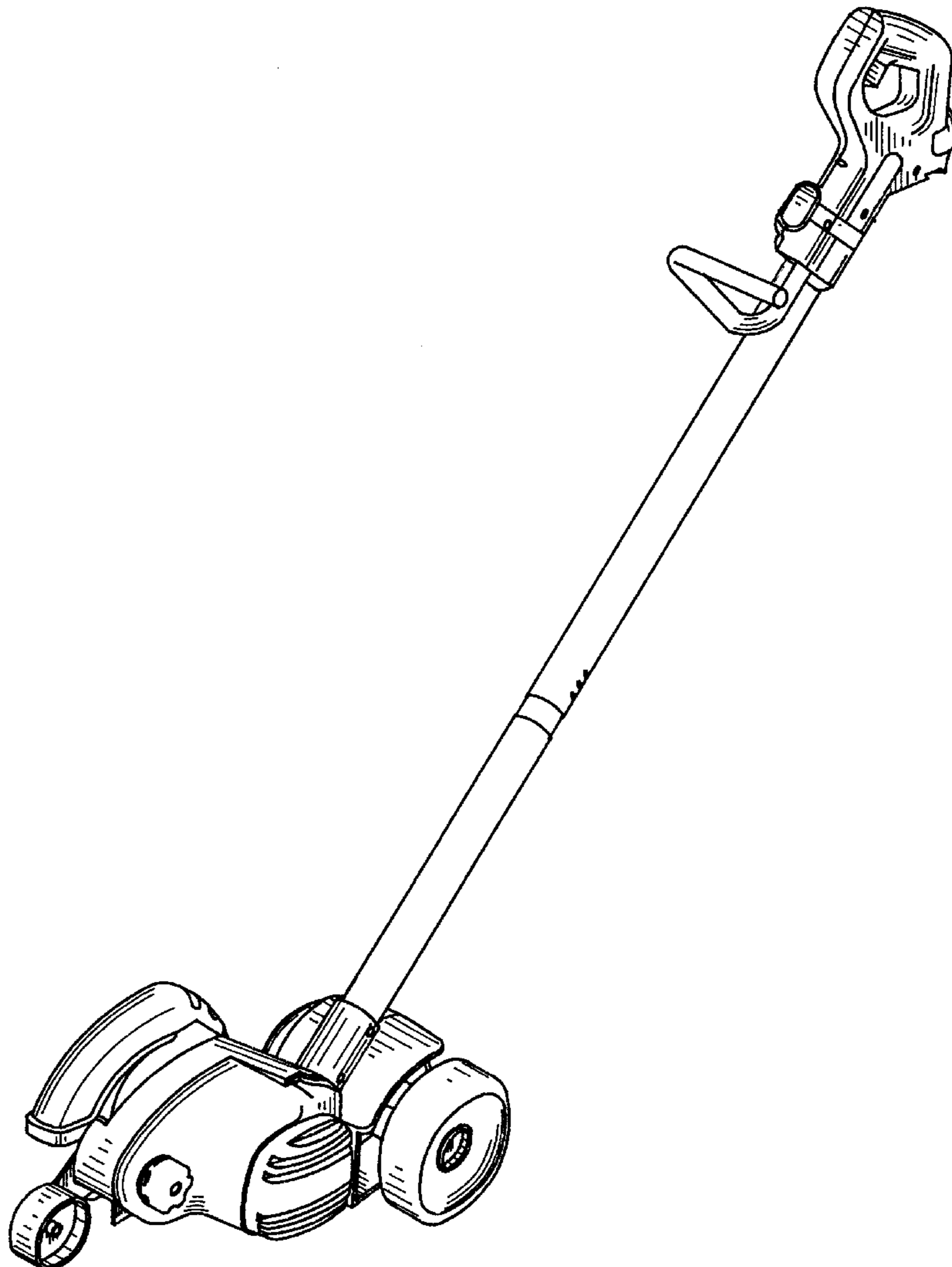


FIG. 1

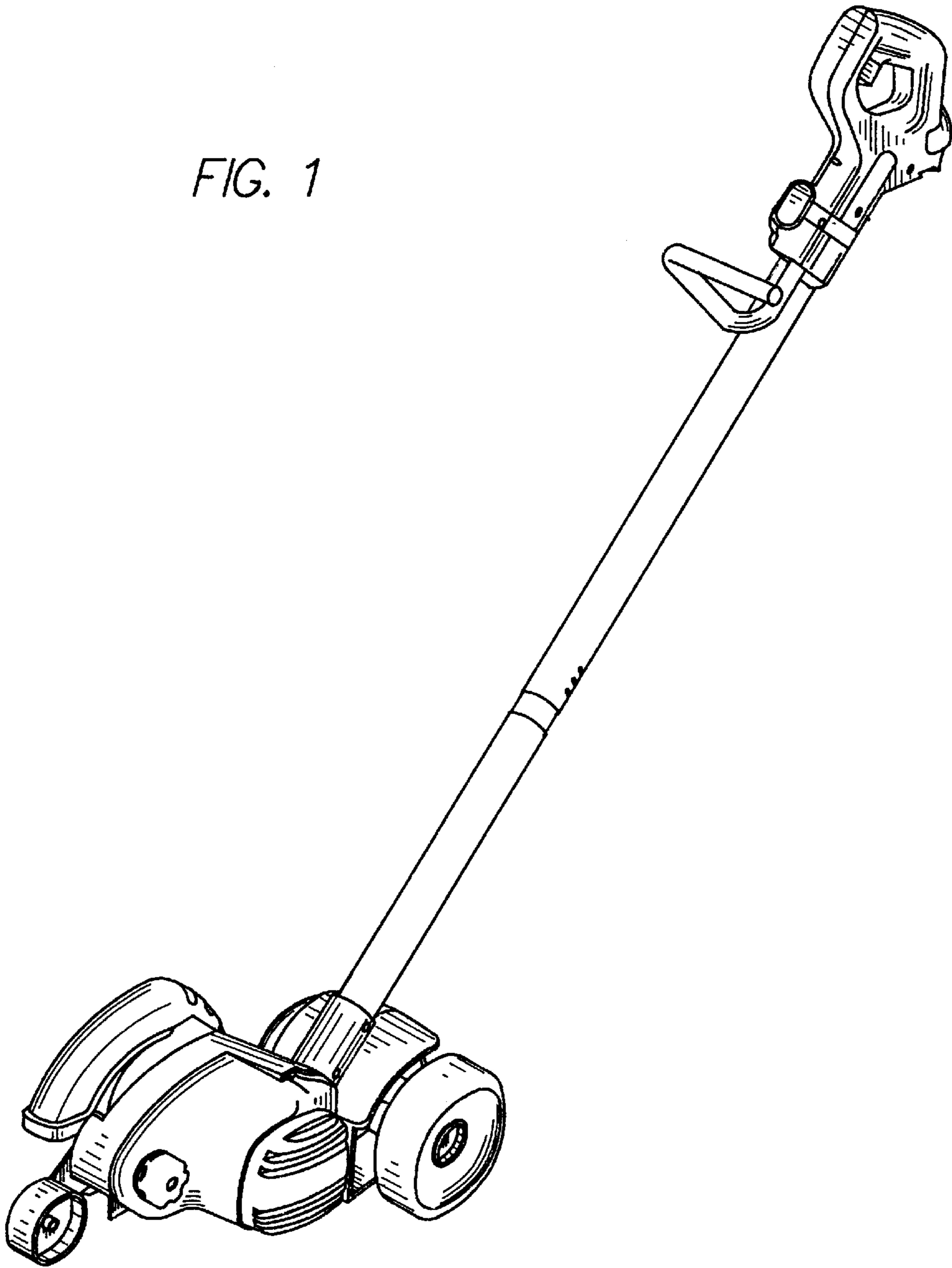


FIG. 2

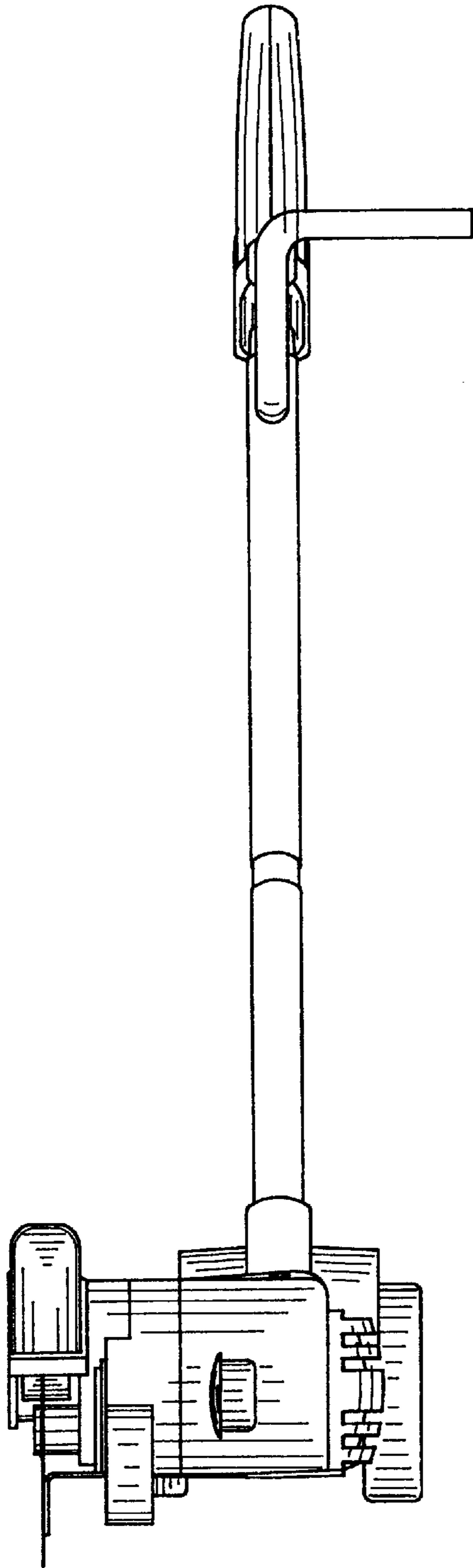


FIG. 3

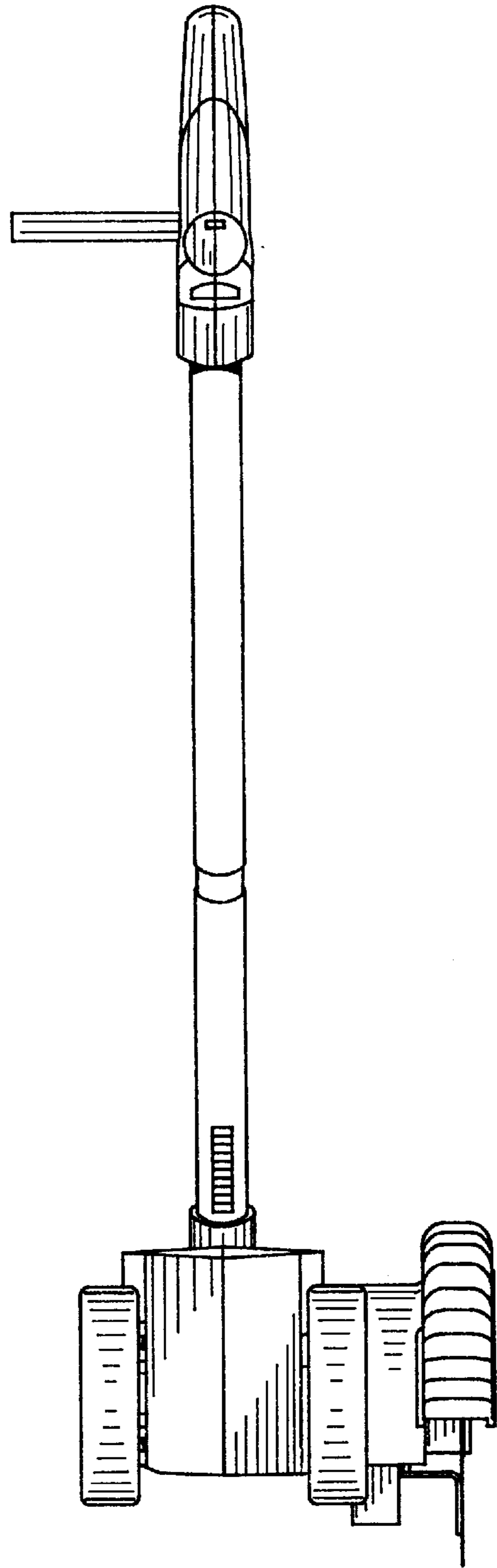


FIG. 4

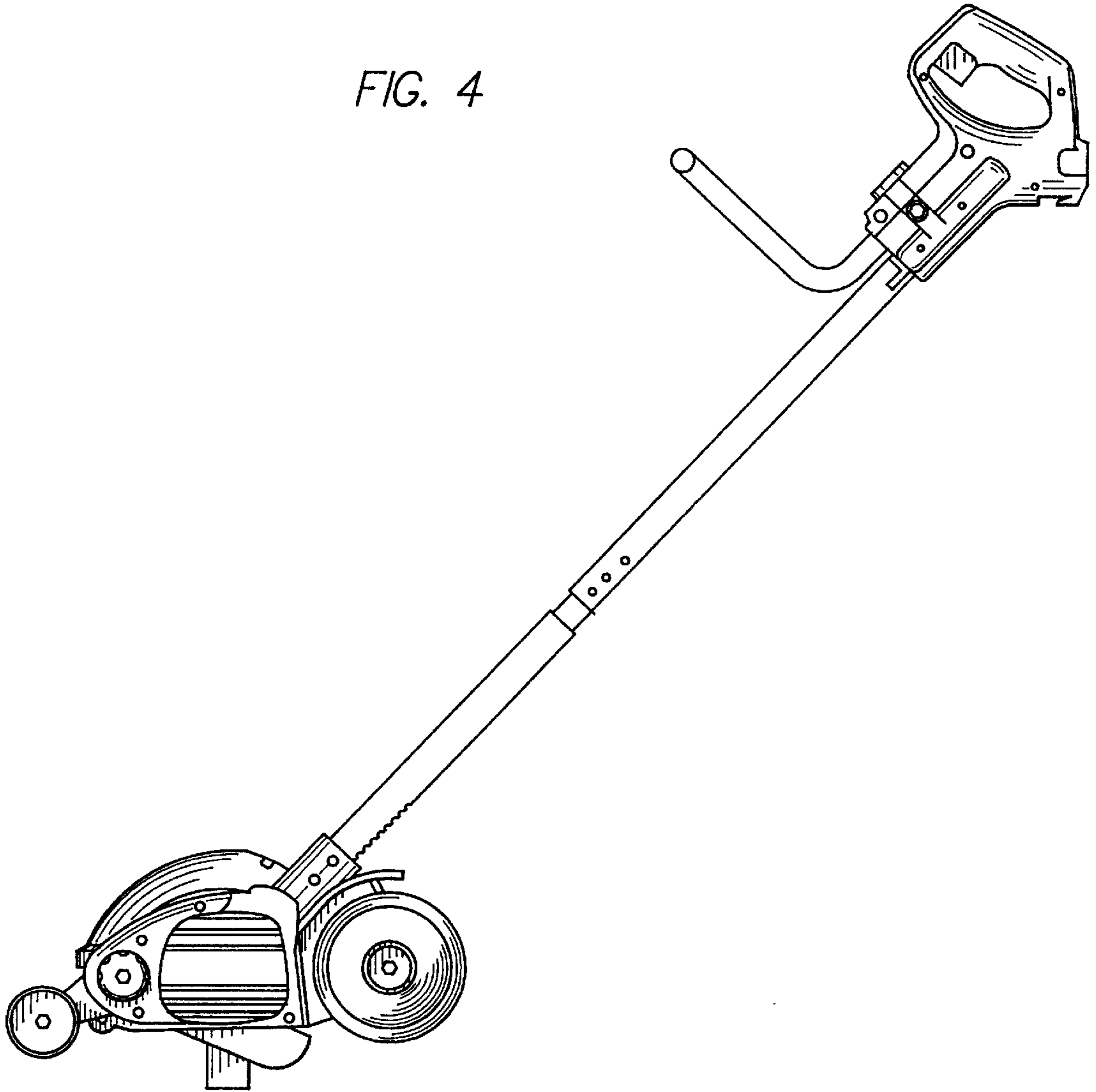


FIG. 5

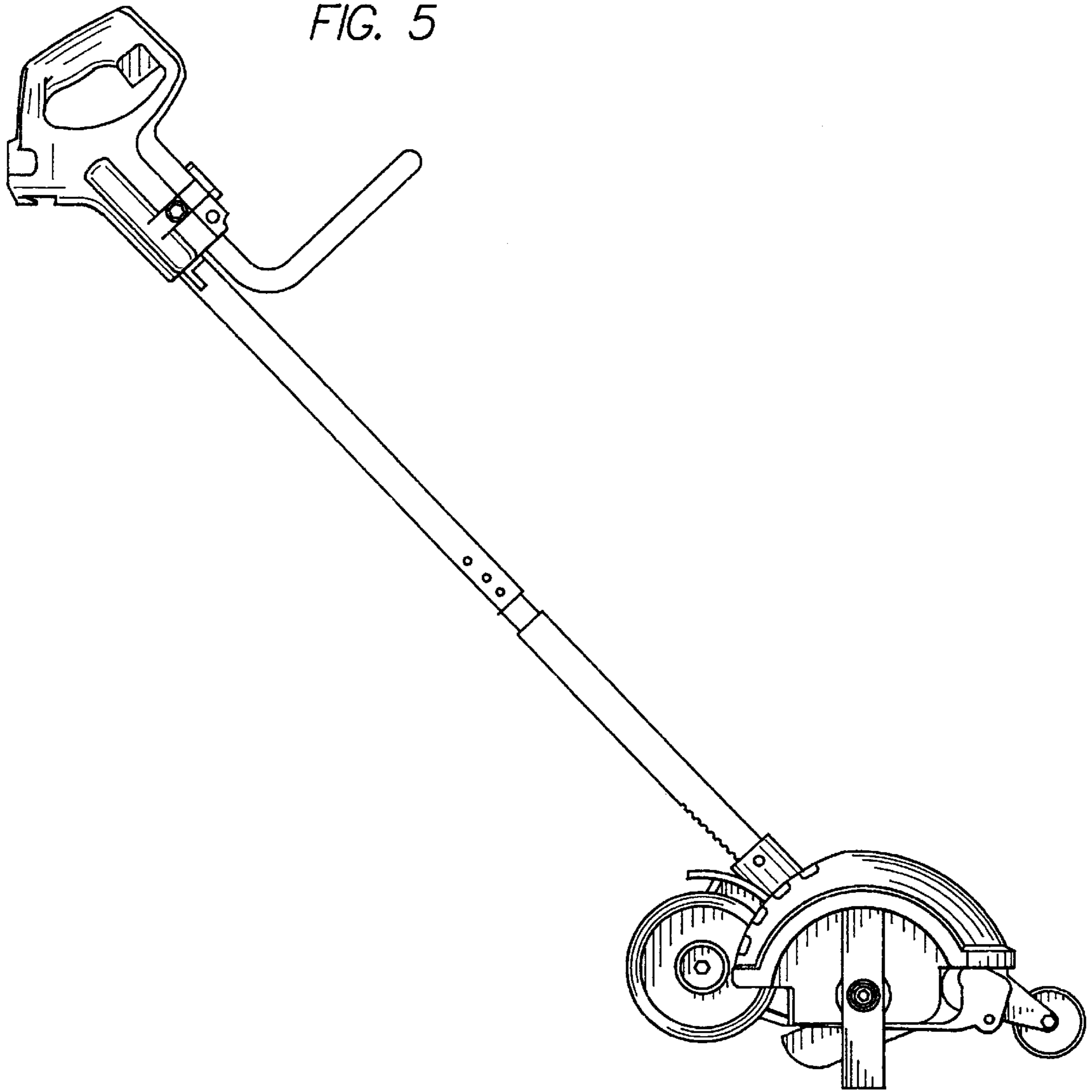
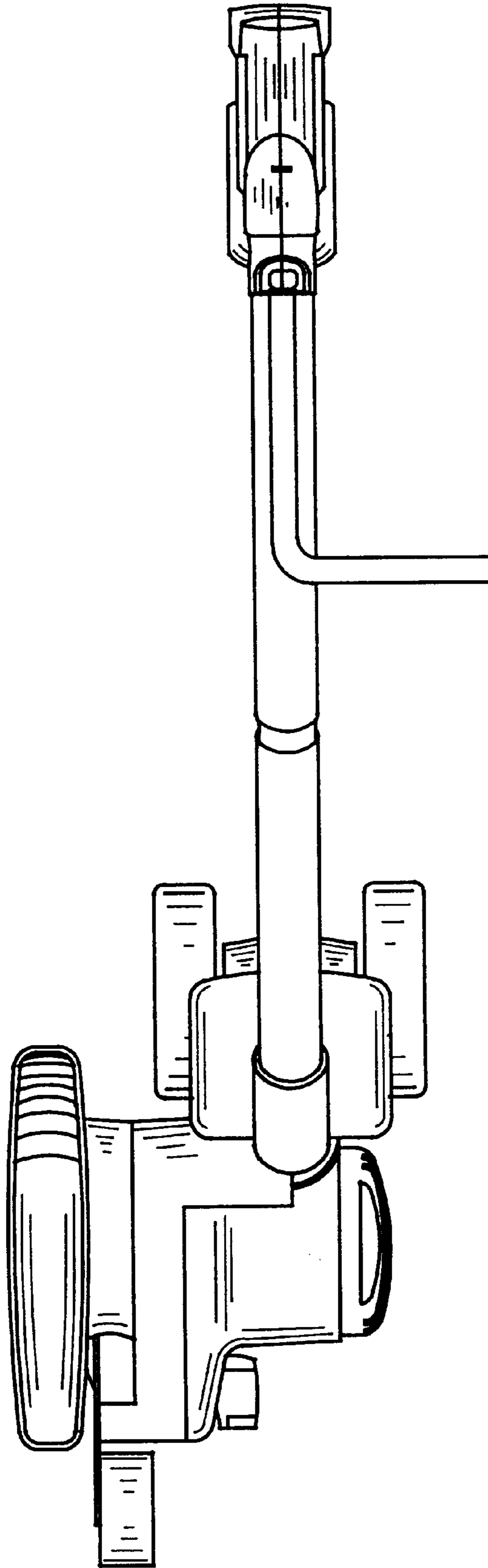


FIG. 6



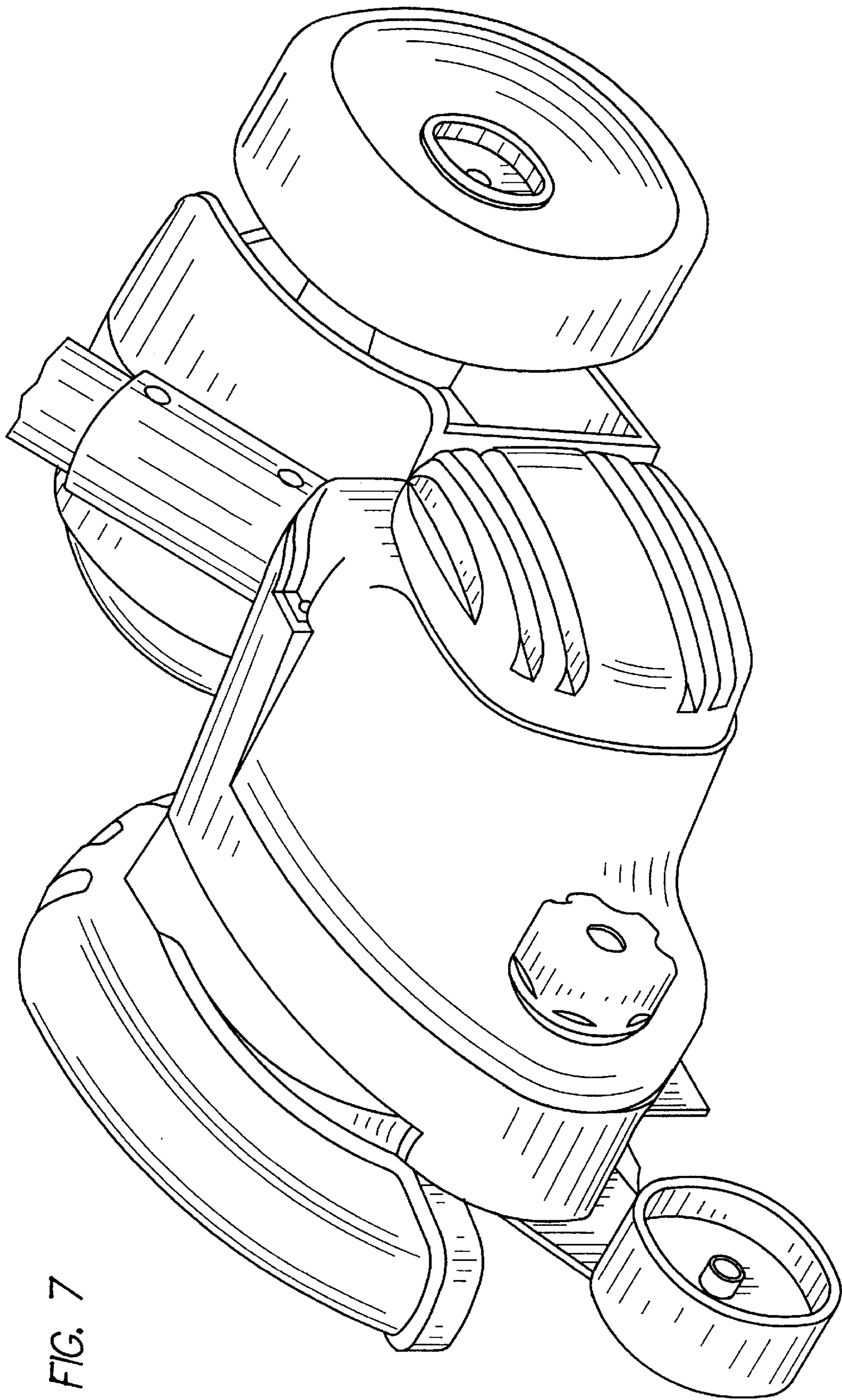


FIG. 7