



US00D423307S

United States Patent [19]
Dittmann, Jr.

[11] **Patent Number: Des. 423,307**

[45] **Date of Patent: ** Apr. 25, 2000**

[54] **TRANSFER APPARATUS FOR A REFILL CONTAINER**

[76] Inventor: **Walter H. Dittmann, Jr.**, 181
Dartmouth Rd., Manchester, Conn.
06040

[**] Term: **14 Years**

[21] Appl. No.: **29/085,178**

[22] Filed: **Mar. 17, 1998**

[51] **LOC (6) Cl.** **07-99**

[52] **U.S. Cl.** **D7/700**

[58] **Field of Search** D7/700, 619; 141/286,
141/309, 310, 319, 364; D15/150; D8/382;
D23/259

[56] **References Cited**

U.S. PATENT DOCUMENTS

D. 261,212	10/1981	Mills	D7/619
D. 273,793	5/1984	Nachatelo	D15/150
D. 274,208	6/1984	Hildenbrand	.	
D. 310,123	8/1990	Carlson	D24/29
3,028,032	4/1962	Jones	.	
3,156,272	11/1964	Indrunas	D7/619 X

3,211,195	10/1965	Porter	.	
3,266,533	8/1966	McHale	141/364
3,877,499	4/1975	Fluster	141/364
4,135,404	1/1979	Butler, Jr.	220/82 R
4,256,154	3/1981	Black	.	

Primary Examiner—Mitchell Siegel
Attorney, Agent, or Firm—McCormick, Paulding & Huber
LLP

[57] **CLAIM**

The ornamental design for a transfer apparatus for a refill container, as shown and described.

DESCRIPTION

FIG. 1 is a perspective view of the transfer apparatus for a refill container and shows my new design;
FIG. 2 is a top plan view of the transfer apparatus for a refill container;
FIG. 3 is a side elevational view of the transfer apparatus for a refill container, in which the front, back, left and right views are the same; and,
FIG. 4 is a bottom plan view of the transfer apparatus for a refill container.

1 Claim, 1 Drawing Sheet

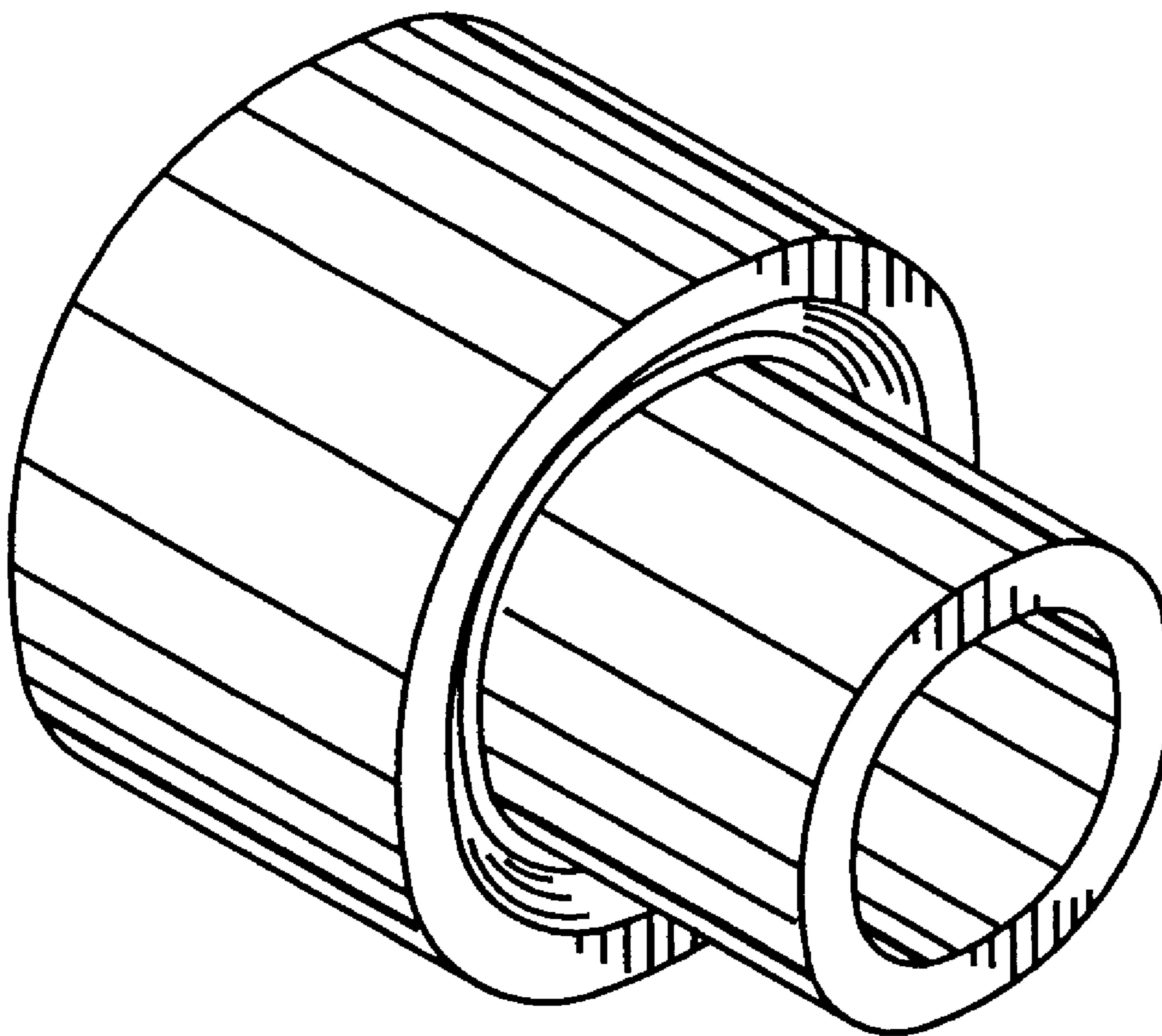


FIG. 1

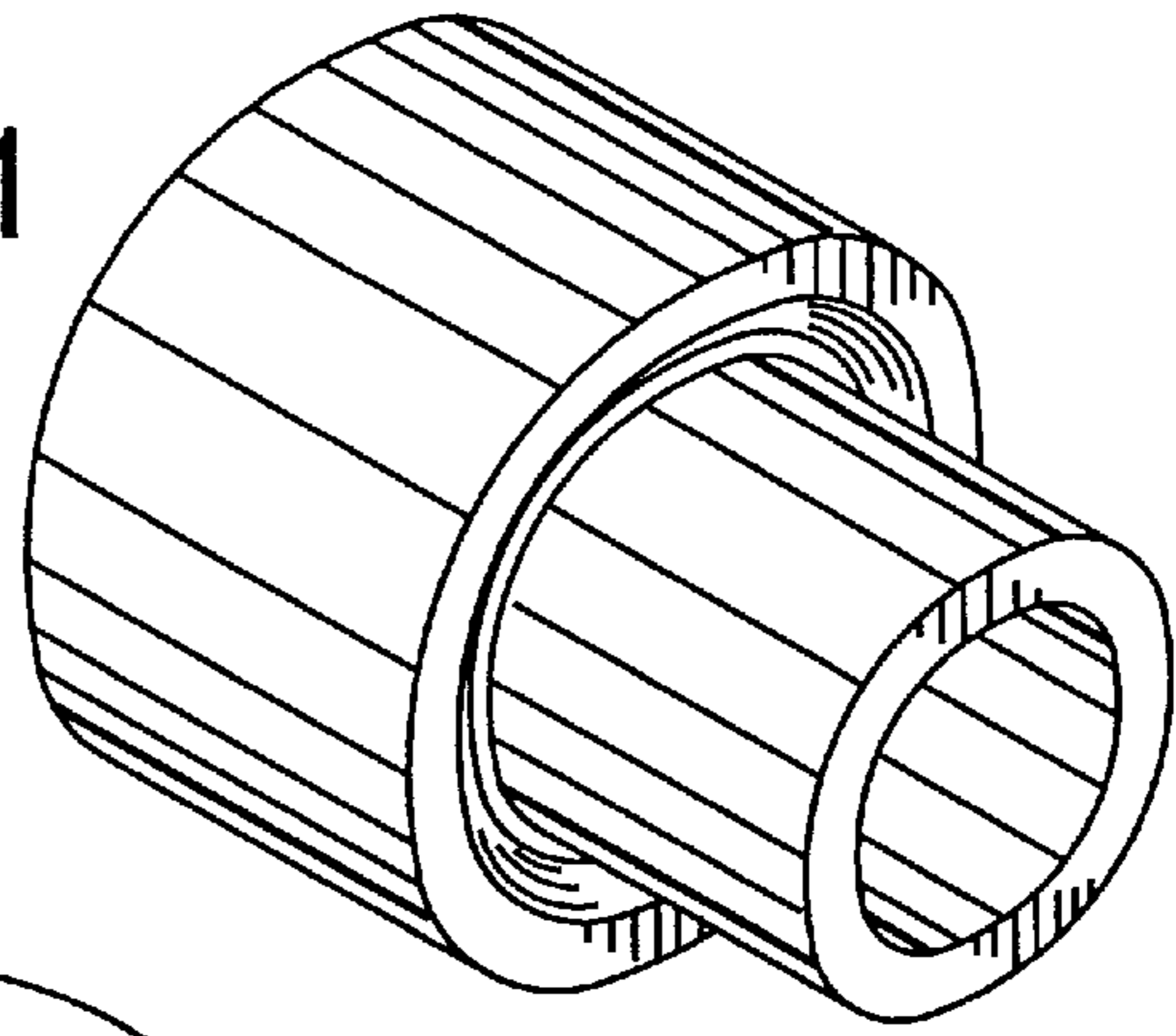


FIG. 2

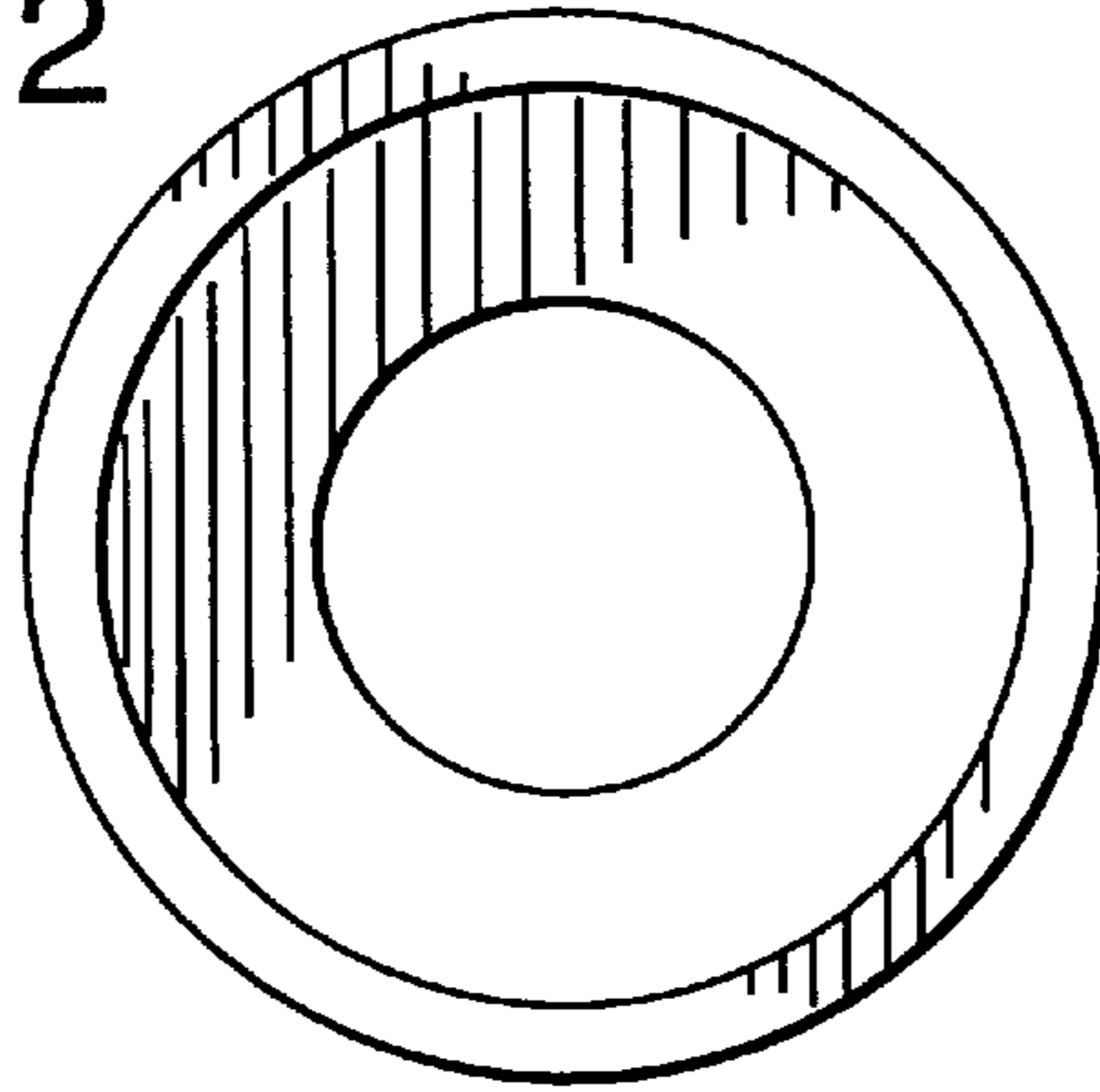


FIG. 3

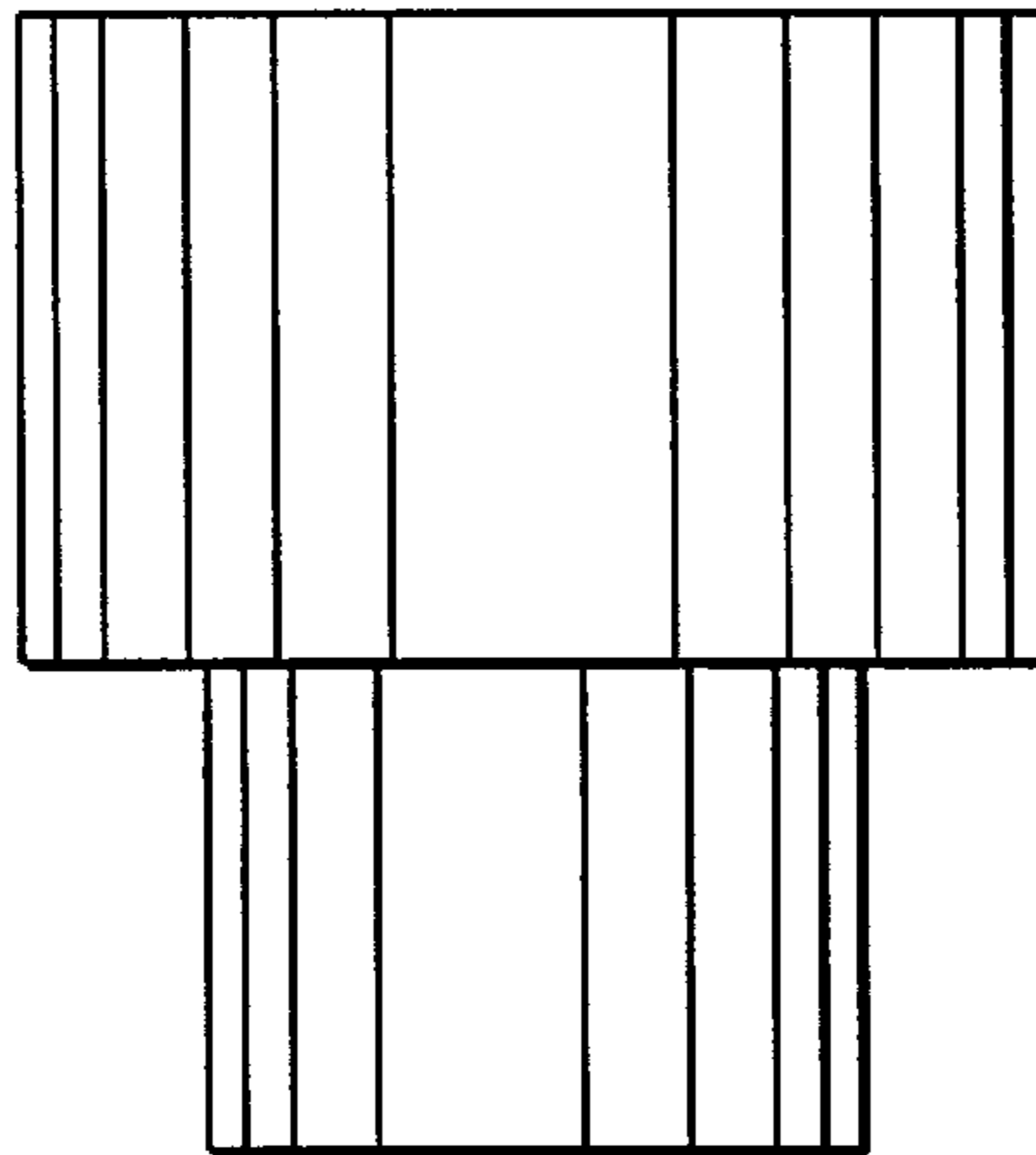


FIG. 4

