



US00D423301S

United States Patent [19]

Haner et al.

[11] Patent Number: **Des. 423,301**

[45] Date of Patent: **** Apr. 25, 2000**

[54] **VIAL FOR STORING AND DISPENSING FILMS**

[75] Inventors: **Linda Haner**, Morristown, N.J.;
Michael S. Reiter, Lancaster, Pa.;
Marco Camnasio, Branchburg;
Thomas J. Zoltner, Denville, both of N.J.

[73] Assignee: **Warner-Lambert Company**, Morris Plains, N.J.

[**] Term: **14 Years**

[21] Appl. No.: **29/108,115**

[22] Filed: **Jul. 20, 1999**

[51] **LOC (6) Cl.** **07-99**

[52] **U.S. Cl.** **D7/629**

[58] **Field of Search** D7/601, 602, 628,
D7/629; D3/247, 251; D9/339; D27/189,
191; 206/39.5, 800, 425; 221/62, 65, 232,
281; 225/103

[56] **References Cited**

U.S. PATENT DOCUMENTS

D. 371,723 7/1996 Hirao .

1,451,279 4/1923 Strietelmeier 206/39.5
3,286,823 11/1966 Gillespie 206/39.5
3,421,658 1/1969 Cooksey 206/39.5 X
4,170,914 10/1979 Carrier 225/103 X

FOREIGN PATENT DOCUMENTS

5-22380 3/1997 Japan .

Primary Examiner—Terry A. Wallace
Attorney, Agent, or Firm—Evan J. Federman

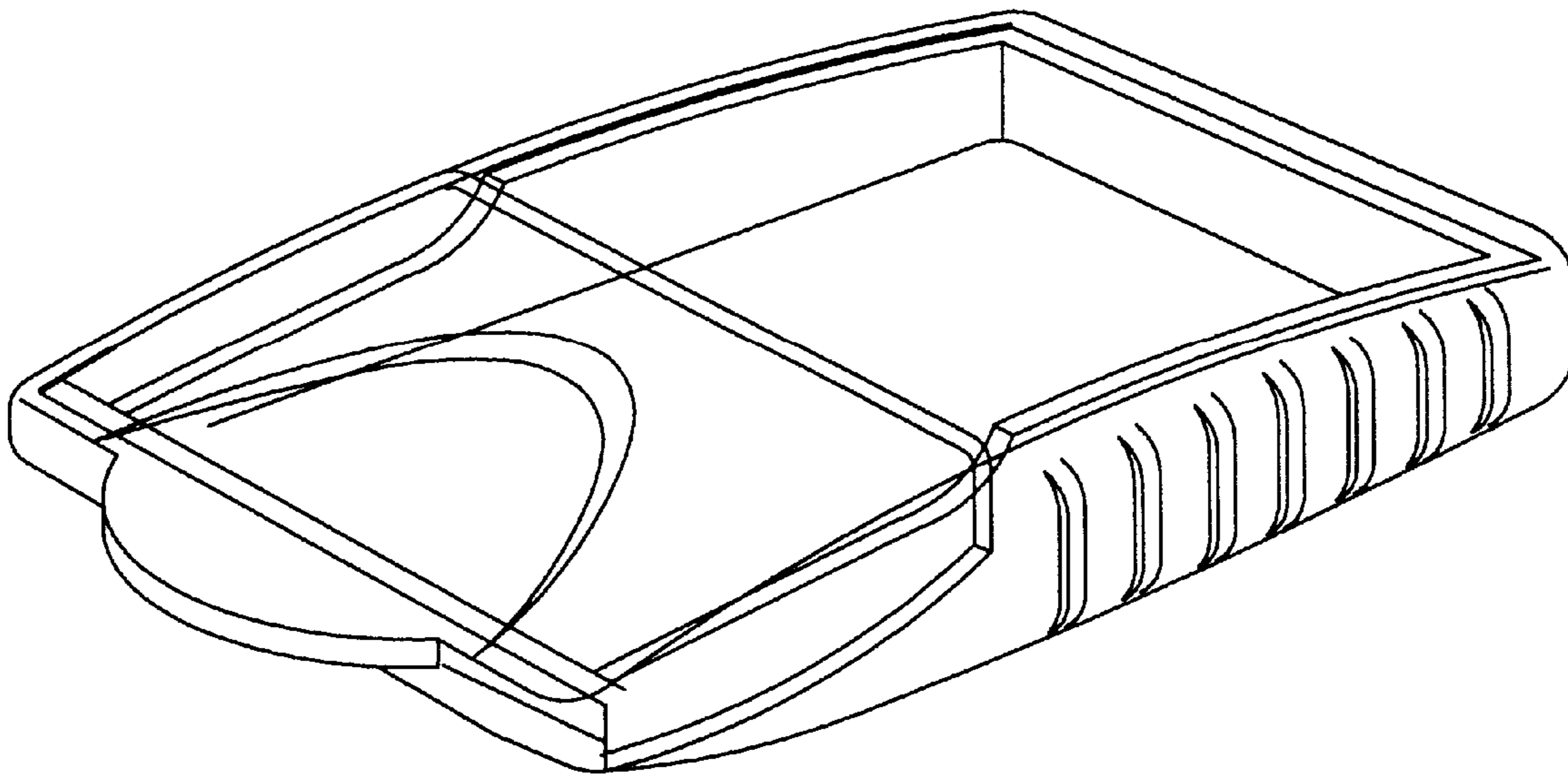
[57] **CLAIM**

The ornamental design for a vial for storing and dispensing films, as shown and described.

DESCRIPTION

FIG. 1 is a top perspective view of the vial;
FIG. 2 is a front side view of the vial;
FIG. 3 is a rear side view of the vial;
FIG. 4 is a side view of the vial;
FIG. 5 is a top view of the vial; and,
FIG. 6 is a bottom view of the vial.

1 Claim, 3 Drawing Sheets



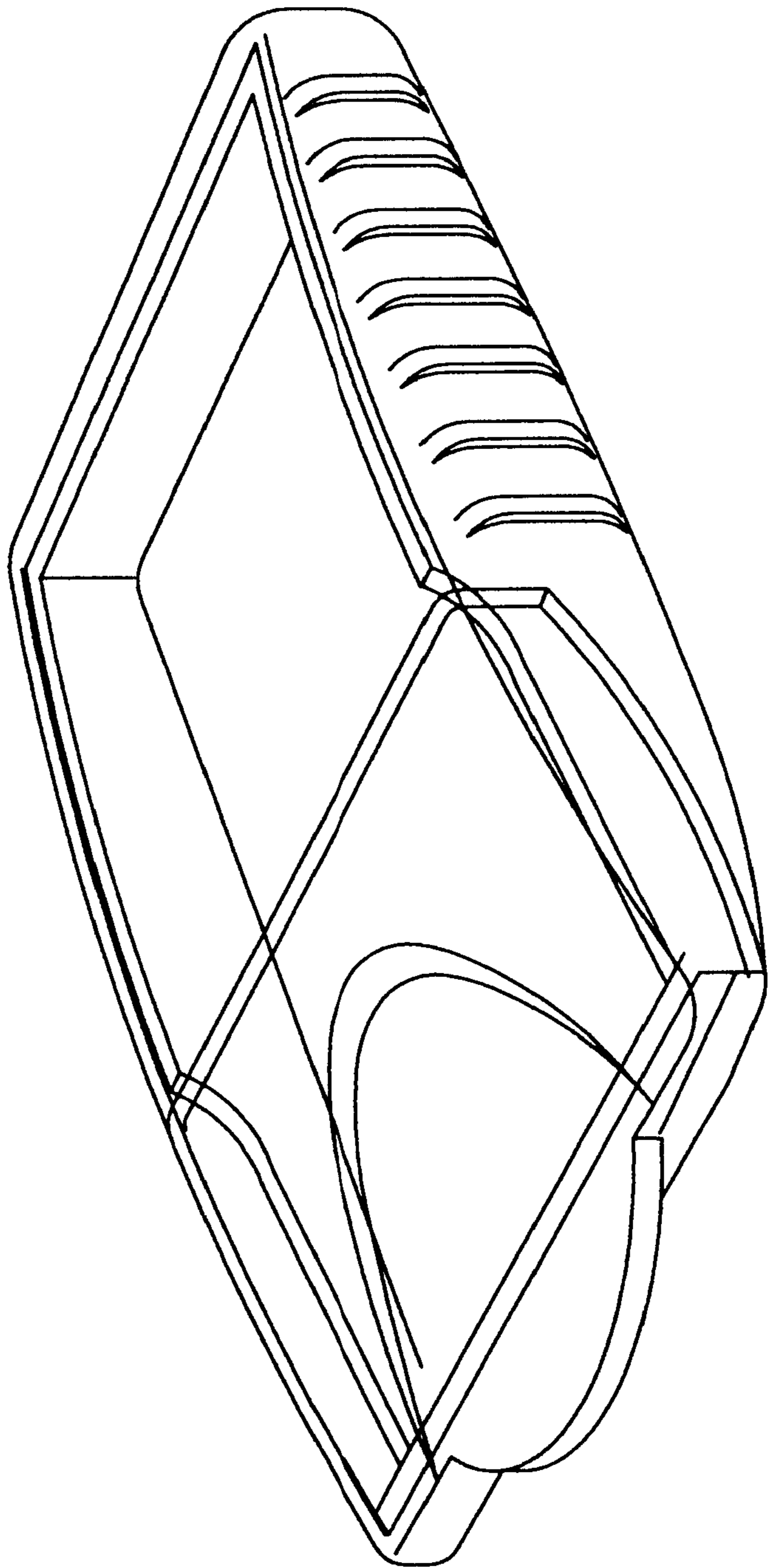


FIG-1

FIG-3

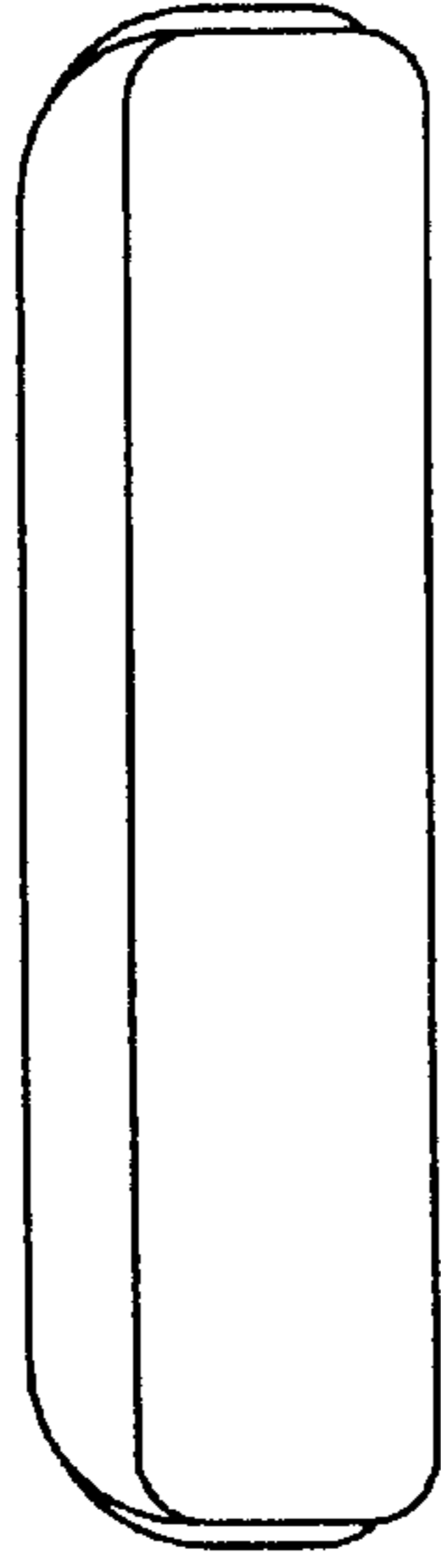


FIG-2

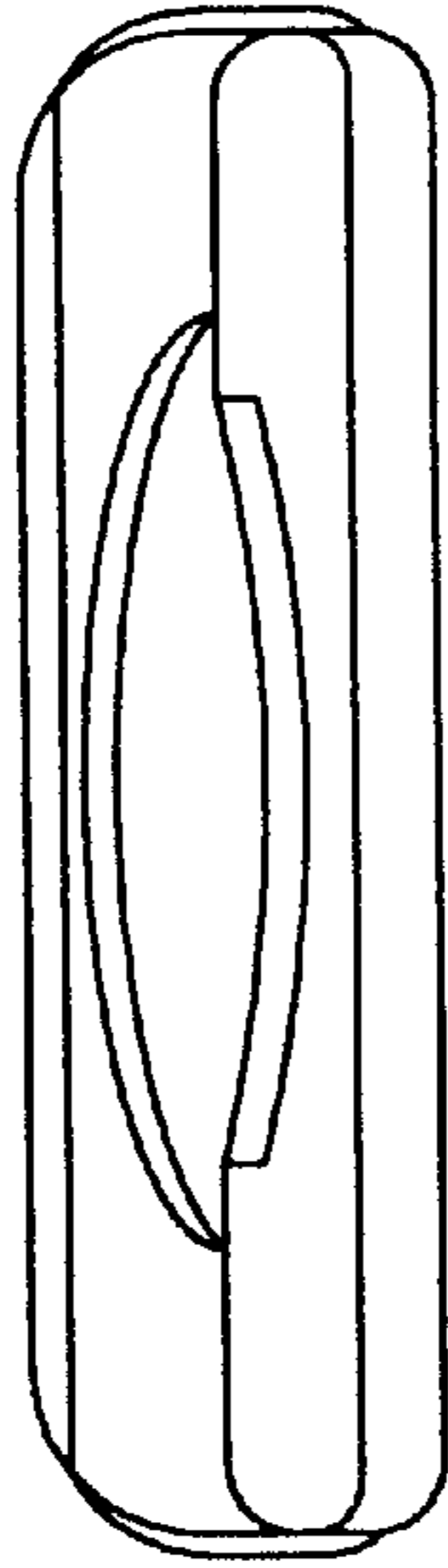


FIG-4

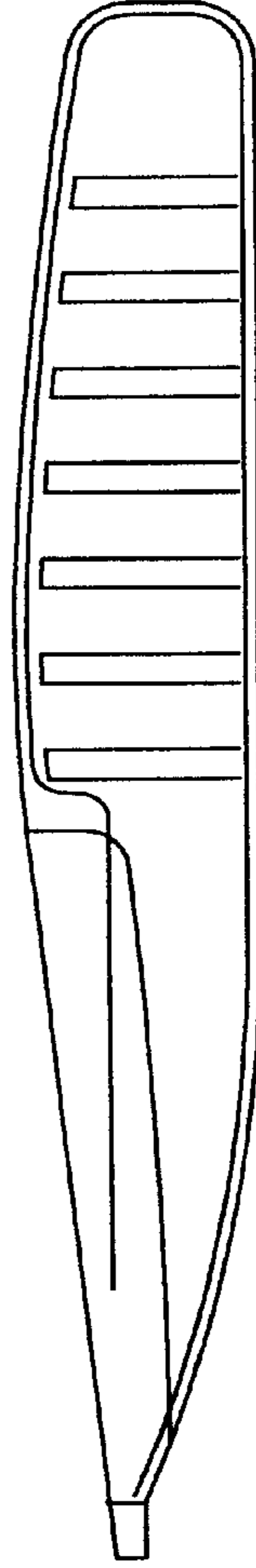


FIG-6

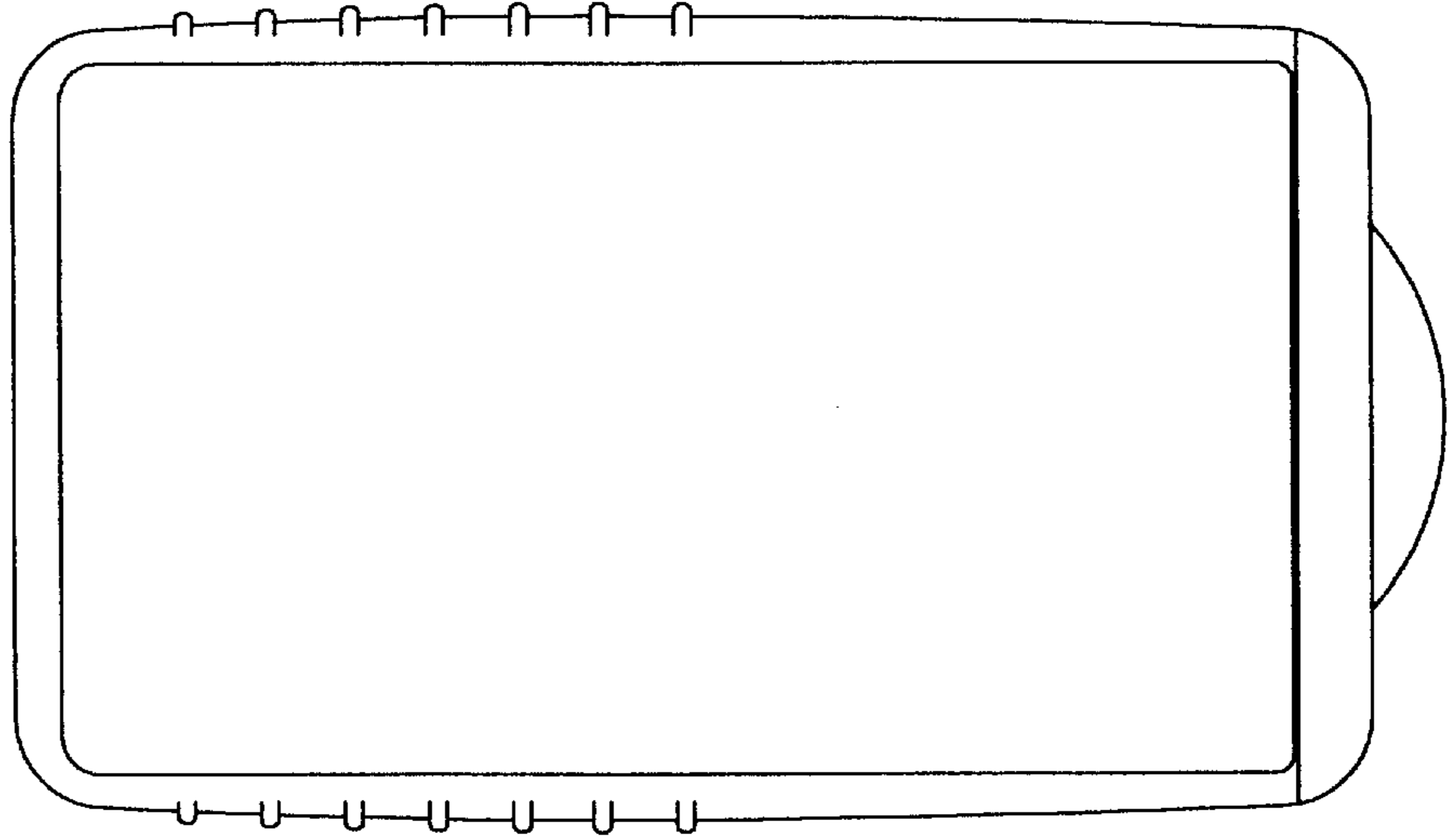


FIG-5

