



US00D423299S

United States Patent [19]

[11] Patent Number: **Des. 423,299**

Burrus

[45] Date of Patent: **** Apr. 25, 2000**

[54] **STRETCHABLE FABRIC COVER FOR A CONTAINER**

4,884,704	12/1989	Spector .	
4,986,089	1/1991	Raab	62/457.4
4,989,418	2/1991	Hewlett	62/457.4
5,299,700	4/1994	Beniacar .	
5,366,102	11/1994	Bergner et al. .	
5,695,090	12/1997	Burdick .	

[76] Inventor: **Delores Burrus**, 1033 S. Edison St.,
Arlington, Va. 22204

[**] Term: **14 Years**

Primary Examiner—Terry A. Wallace
Attorney, Agent, or Firm—Richard C. Litman

[21] Appl. No.: **29/094,861**

[22] Filed: **Oct. 13, 1998**

[57] CLAIM

[51] **LOC (6) Cl.** **07-01**

[52] **U.S. Cl.** **D7/607; D7/624**

[58] **Field of Search** D7/605, 607, 624;
D3/229; 62/371, 372, 457.1, 457.4, 530;
220/400, 737, 739, 903

The ornamental design for a stretchable fabric cover for a container, as shown and described.

DESCRIPTION

[56] References Cited

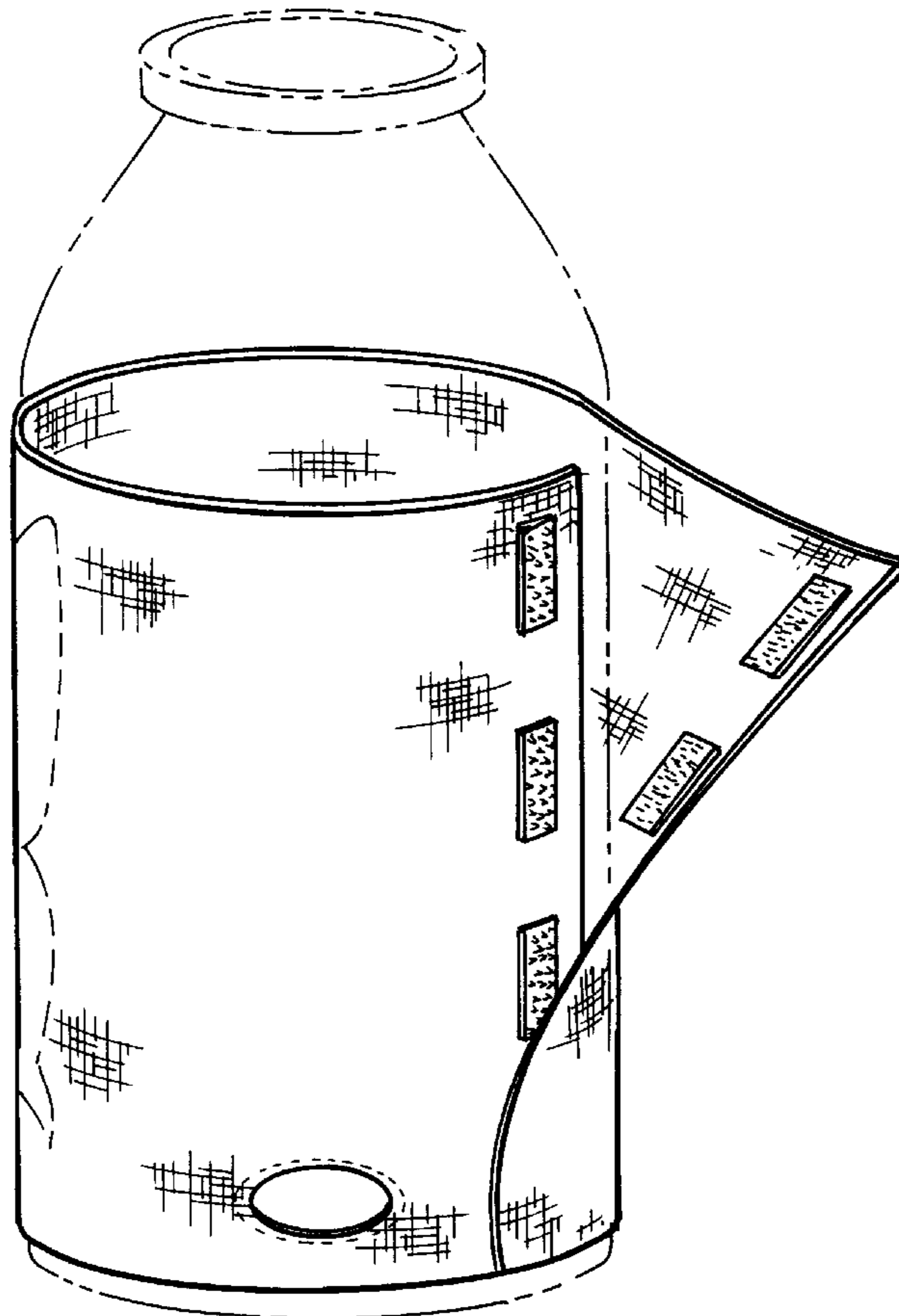
U.S. PATENT DOCUMENTS

D. 276,204	11/1984	Heweston .	
D. 298,013	10/1988	Gibbons .	
D. 379,303	5/1997	Broye .	
2,035,384	3/1936	Hinchliff	220/739 X
3,980,117	9/1976	Trombley .	
4,181,765	1/1980	Harmony	220/903
4,268,567	5/1981	Harmony .	
4,526,280	7/1985	Taylor .	
4,871,597	10/1989	Hobson .	

FIG. 1 is a perspective view of a stretchable fabric cover for a container showing my new design;
FIG. 2 is a front elevational view thereof;
FIG. 3 is a right side elevational view with the left side being a mirror image thereof;
FIG. 4 is a top view with the bottom view being a mirror image thereof; and,
FIG. 5 is a rear elevational view thereof.

The broken lines showing the bottle and butterfly are for illustrative purposes only and form no part of the claimed design.

1 Claim, 3 Drawing Sheets



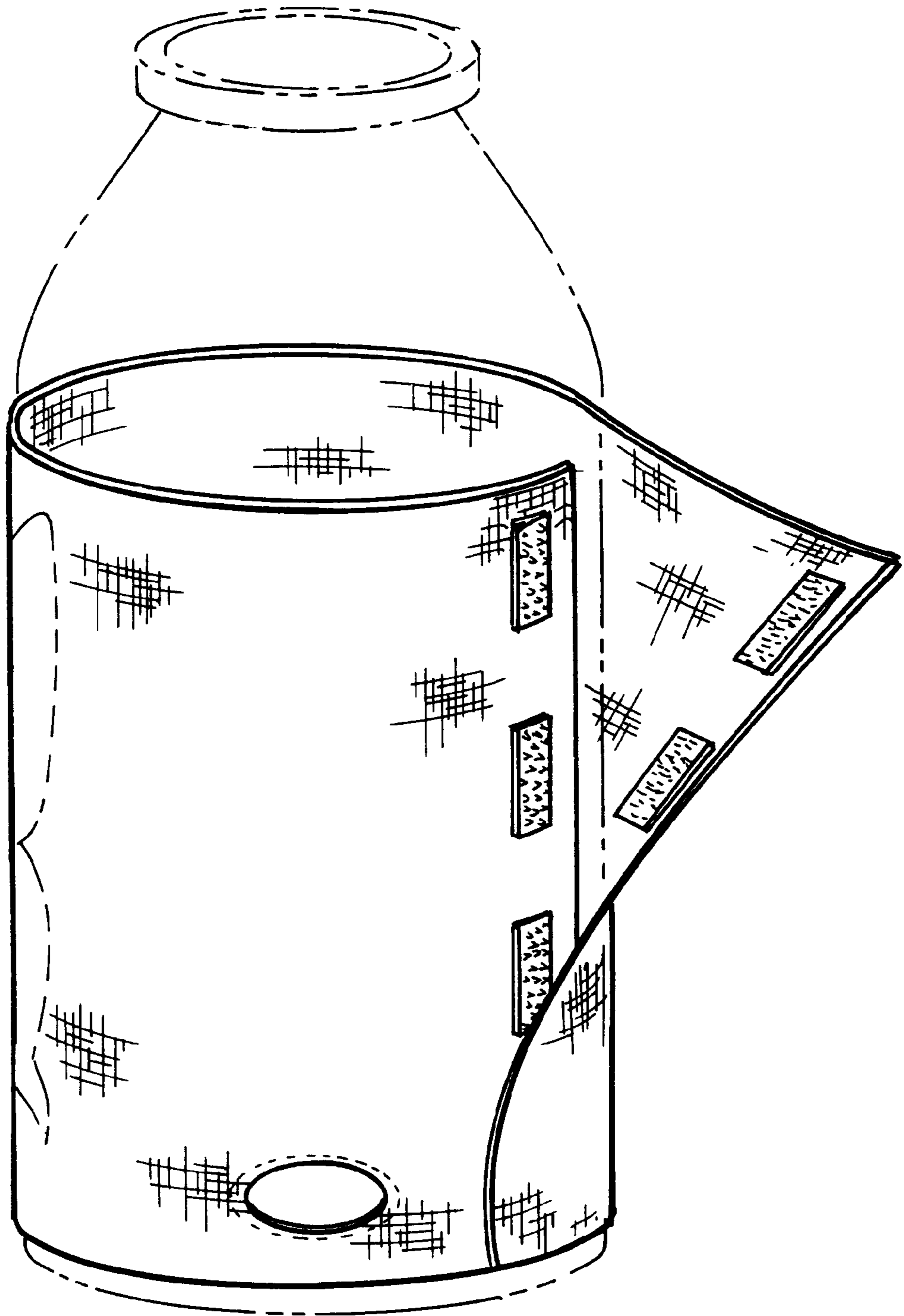


FIG. 1

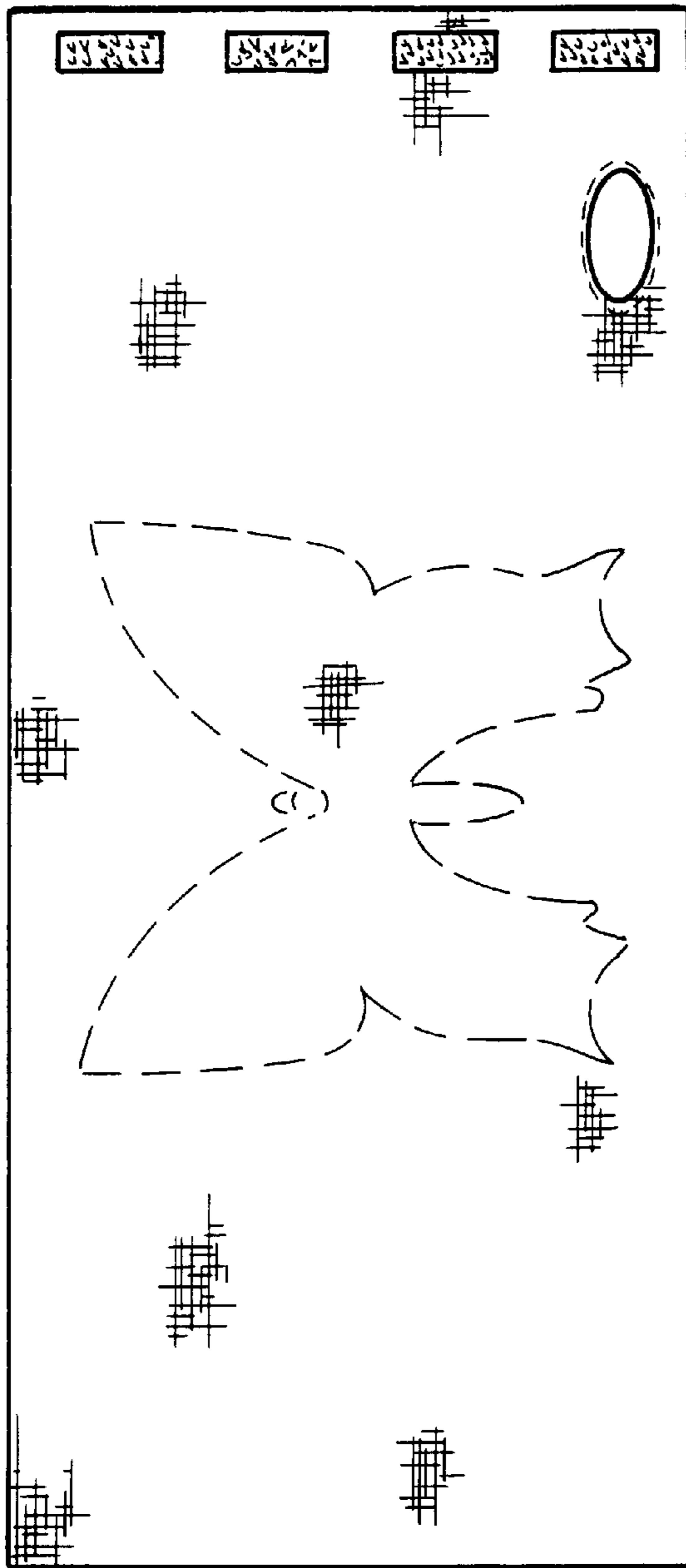


FIG. 2



FIG. 3



FIG. 4

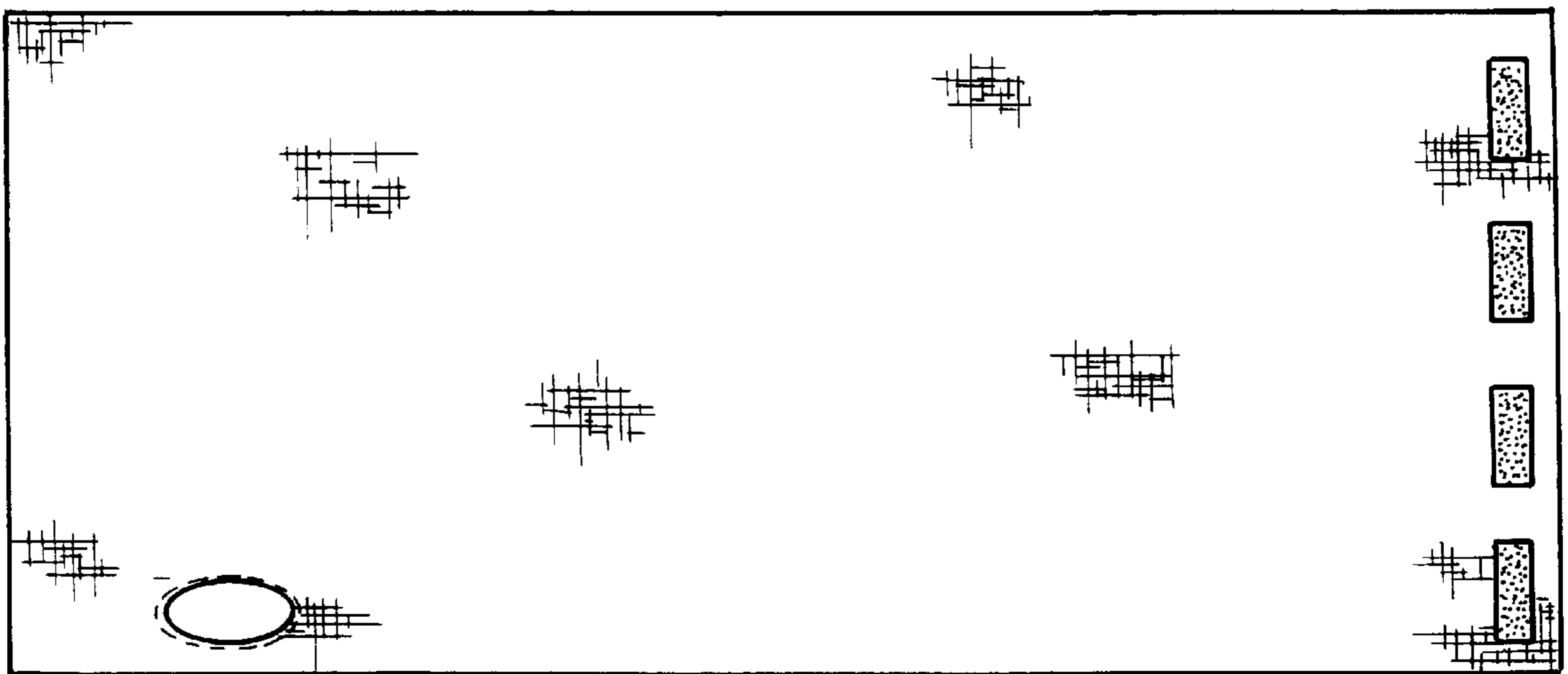


FIG. 5