



US00D423295S

United States Patent [19]

[11] **Patent Number: Des. 423,295**

Buck et al.

[45] **Date of Patent: ** Apr. 25, 2000**

[54] **FLOATING COOLER**

5,305,544 4/1994 Testa, Jr. .
5,564,288 10/1996 Lewis .

[76] Inventors: **Ronald Buck**, 6125 Little Creek Ct., Huber Heights, Ohio 45424; **Michael A. Blanford**, 546 Ramsgate Dr., Beavercreek, Ohio 45430; **Wesely Campbell**, 5916 Woodmore Dr., Dayton, Ohio 45414

Primary Examiner—Terry A. Wallace
Attorney, Agent, or Firm—R. William Graham

[**] Term: **14 Years**

[57] CLAIM

We claim the ornamental design for the floating cooler, as shown and described herein.

[21] Appl. No.: **29/107,593**

DESCRIPTION

[22] Filed: **Jul. 8, 1999**

FIG. 1 is a perspective view of a floating cooler showing my new design;

[51] **LOC (6) Cl. 07-07**

FIG. 2 is a top view of a floating cooler showing my new design;

[52] **U.S. Cl. D7/606; D21/603**

FIG. 3 is a left side view of a floating cooler showing my new design, wherein the right side is a mirror image thereof;

[58] **Field of Search D7/605, 606, 628; D21/603; 62/371, 457.1, 457.7; 220/560, 592.2, 915.1, 915.2**

FIG. 4 is a front end view of a floating cooler showing my new design;

[56] References Cited

U.S. PATENT DOCUMENTS

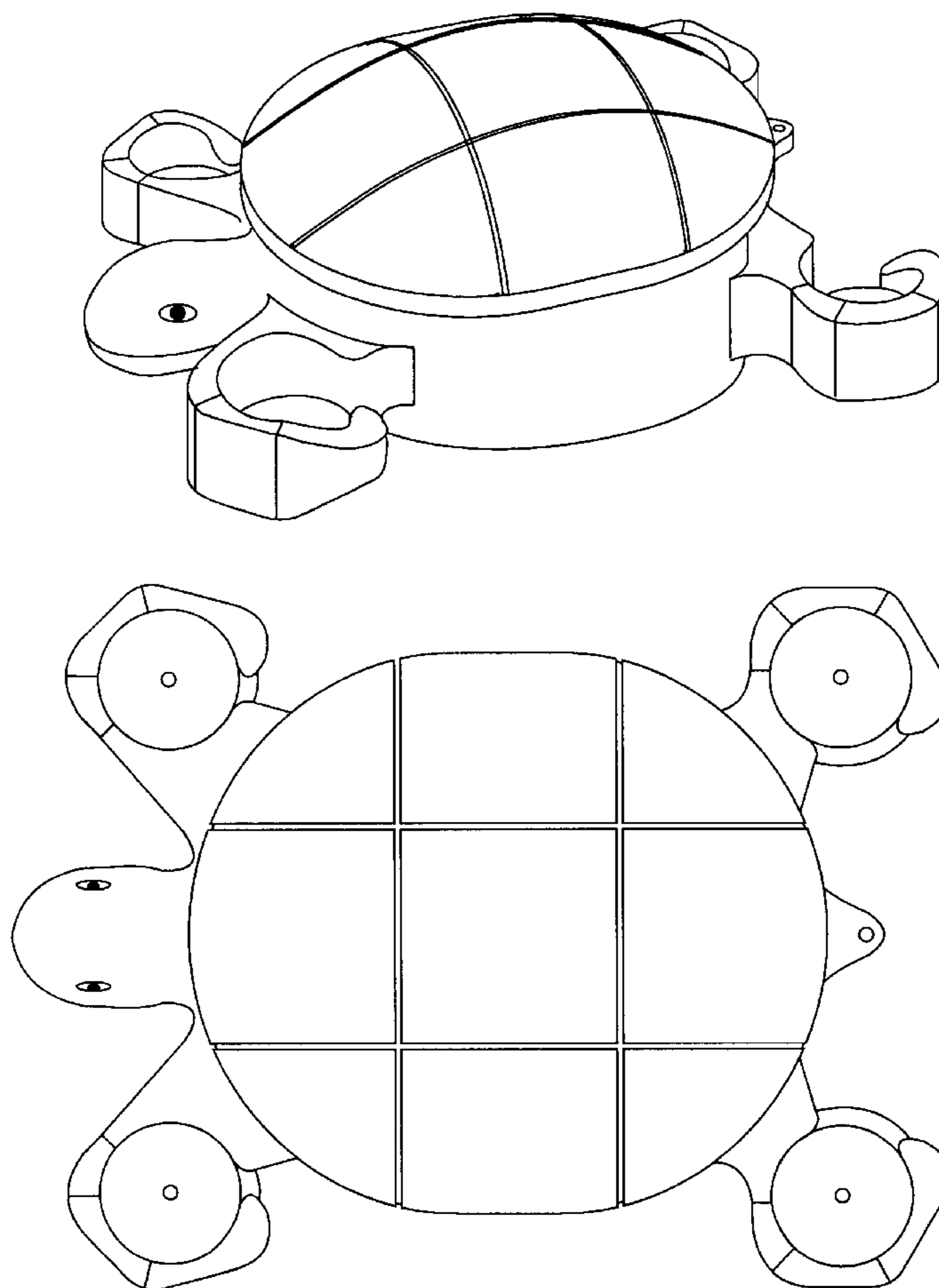
D. 265,043	6/1982	Wei	D7/606	X
D. 304,657	11/1989	Mason Hayes	D21/603	X
D. 337,486	7/1993	Maggiore	D7/606	
4,871,079	10/1989	Doucette et al.	.		
4,927,041	5/1990	Hepburn	.		

FIG. 5 is a rear end view of a floating cooler showing my new design; and,

FIG. 6 is a bottom view of a floating cooler showing my new design.

The rope that ties the two pieces of the cooler together is not shown in FIGS. 1, 2 and 6 for ease of illustration.

1 Claim, 3 Drawing Sheets



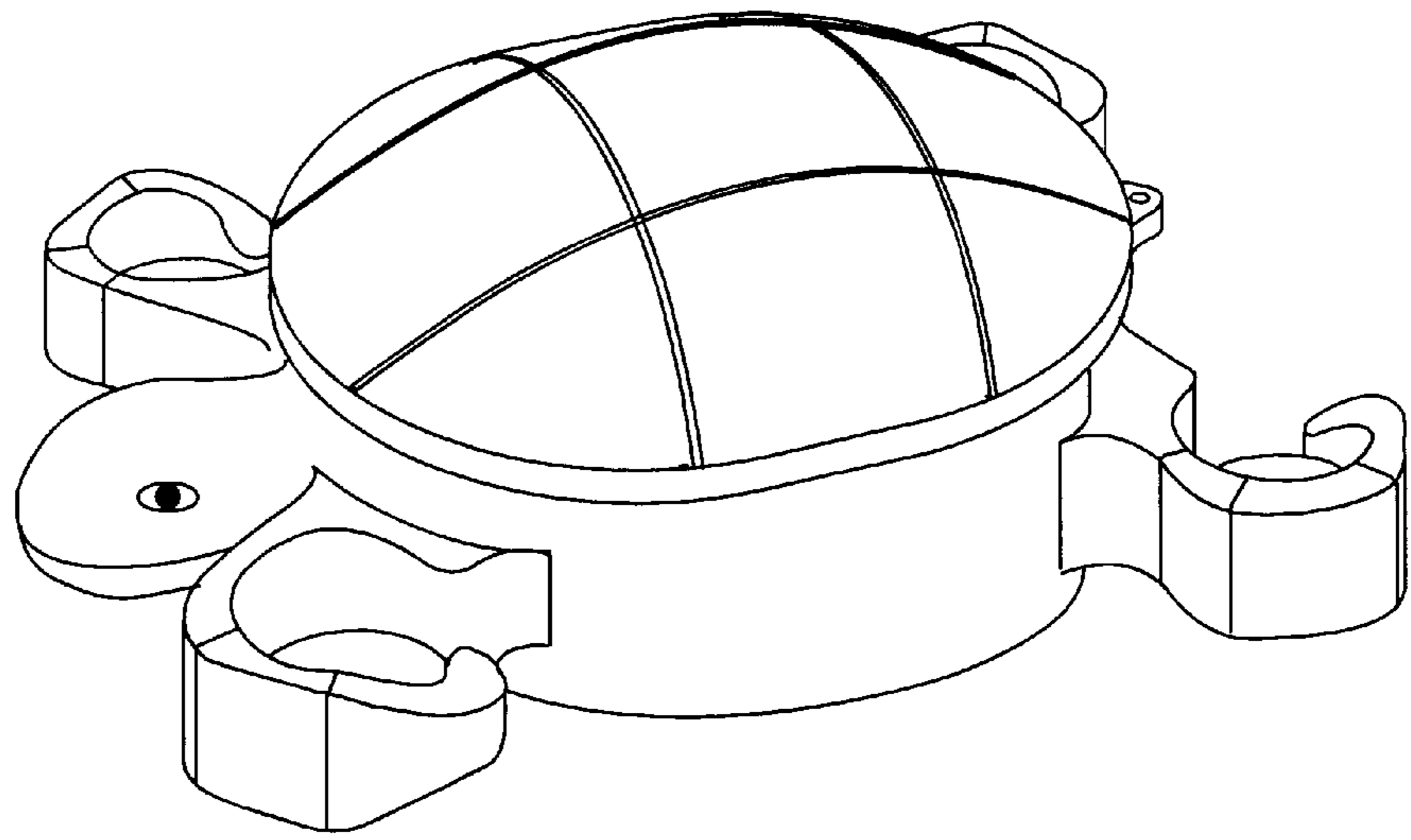


Fig. 1

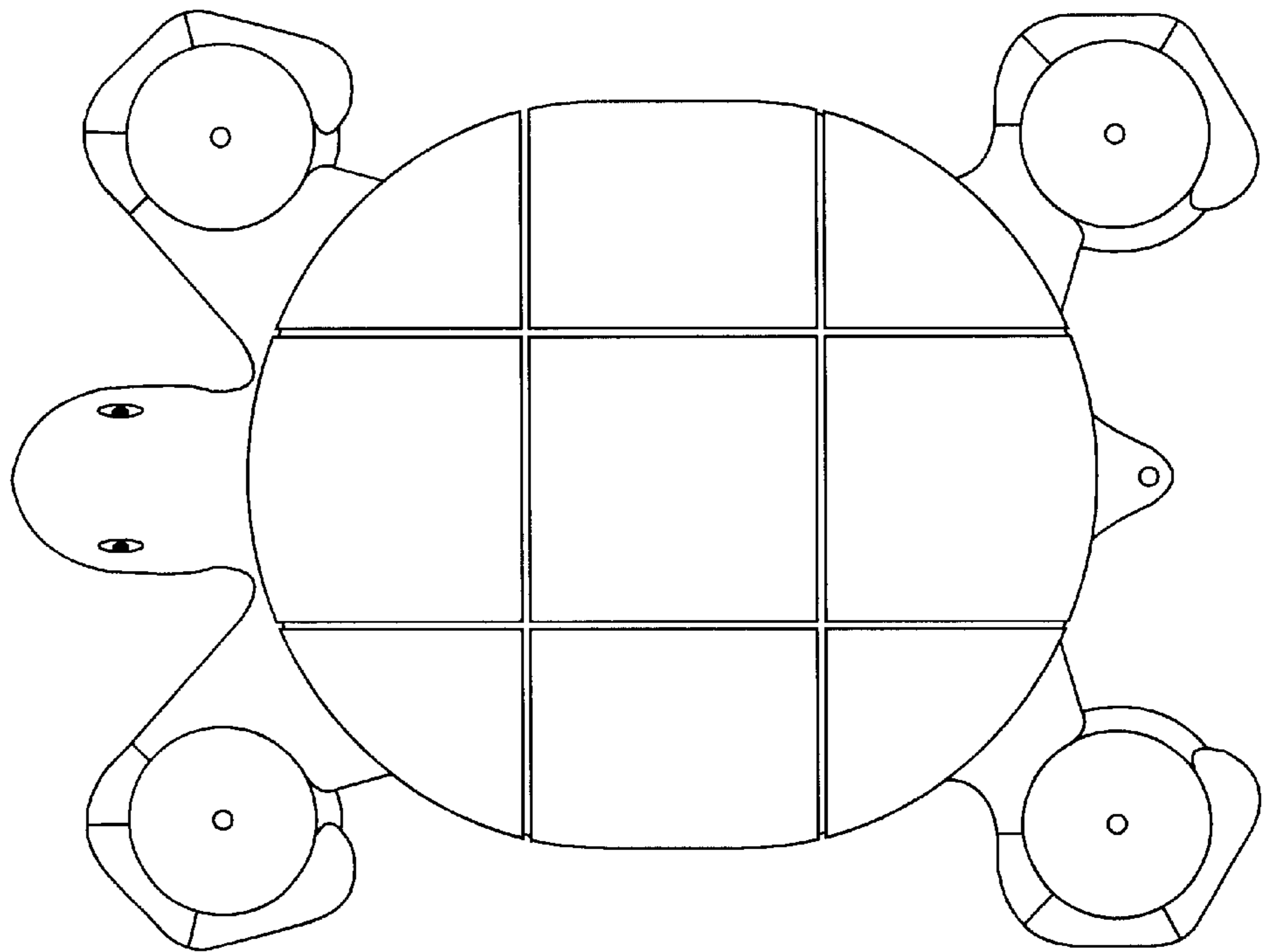


Fig. 2

Fig. 3

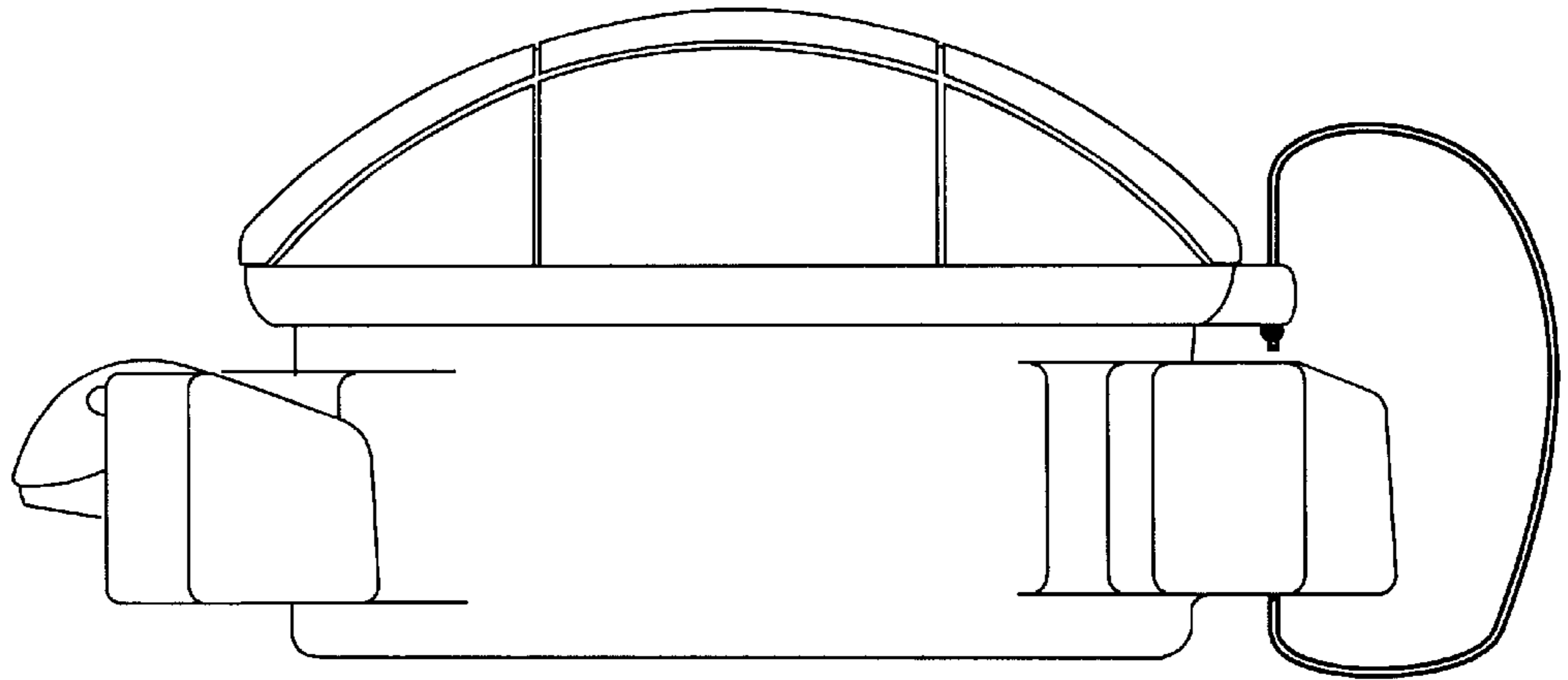


Fig. 4

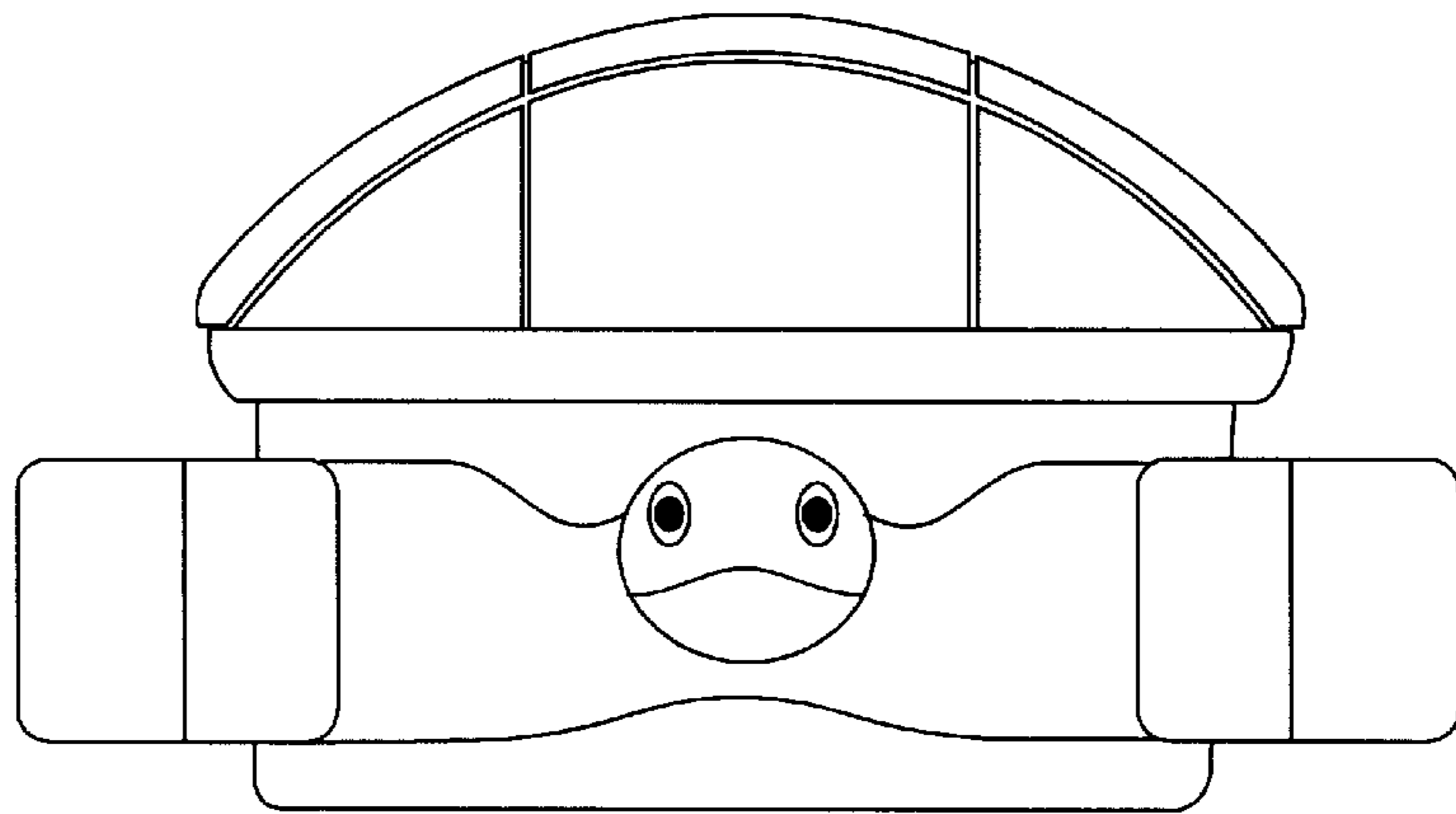
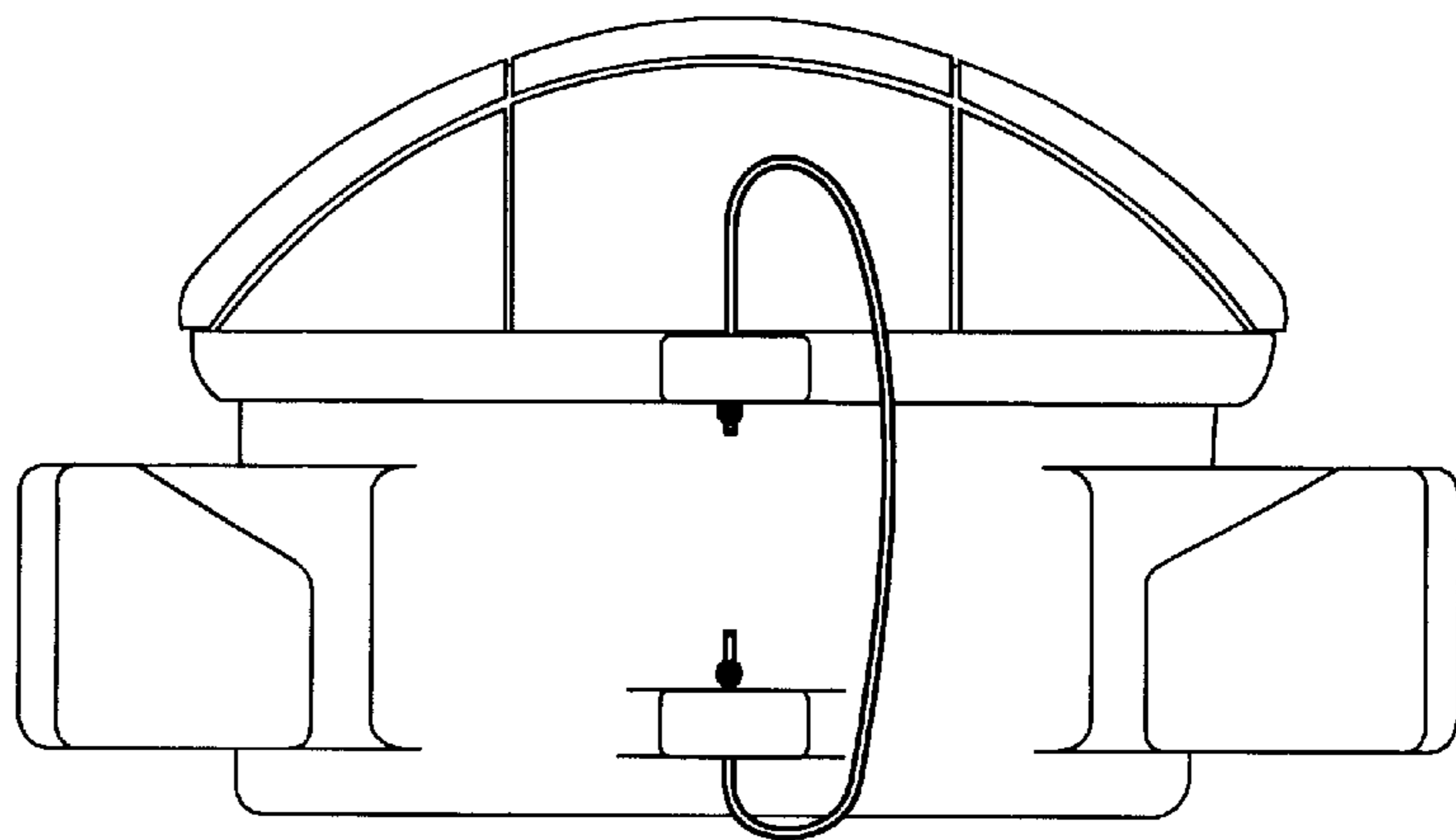


Fig. 5



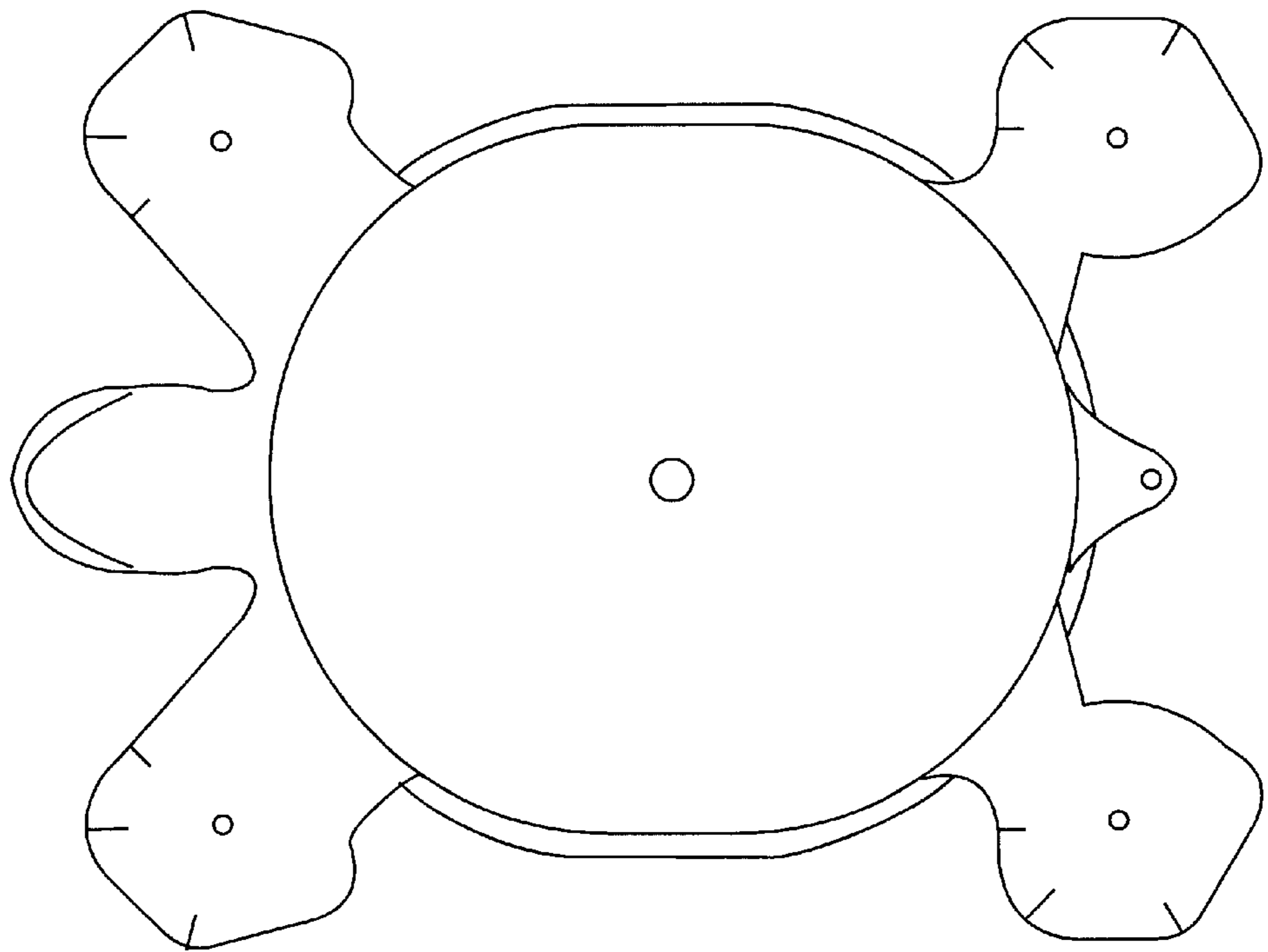


Fig. 6