



US00D423294S

United States Patent [19]

Klein et al.

[11] Patent Number: **Des. 423,294**

[45] Date of Patent: **** Apr. 25, 2000**

[54] **COOLER**

4,773,515 9/1988 Kotkins, Jr. 190/103

[75] Inventors: **Raymond H. Klein**, Milwaukee; **Scott H. Micoley**, Cedarburg, both of Wis.; **T. Brent Freese**, Gurnee, Ill.

OTHER PUBLICATIONS

“1999 Igloo Product Catalog and Price List” Copyright 1998, pp. 18, 20, 22, 24, 26, 28 & 44.

[73] Assignee: **Outer Circle Products, Ltd.**, Chicago, Ill.

“1996 Coleman Outdoor Products Catalog” The Coleman Company, pp. 29, 31 and 33.

[**] Term: **14 Years**

1998 catalog published in Canada by Canadian Thermos Products, Ltd., pp. 3, 4 & 5.

[21] Appl. No.: **29/095,481**

Primary Examiner—Terry A. Wallace
Attorney, Agent, or Firm—McDonnell Boehnen Hulbert & Berghoff

[22] Filed: **Oct. 23, 1998**

[51] **LOC (6) Cl.** **07-07**

[57] CLAIM

[52] **U.S. Cl.** **D7/605**

The ornamental design for a cooler, as shown and described.

[58] **Field of Search** D7/605, 607, 709, D7/710; D3/273, 276, 283; 62/457.1, 457.7, 371; 150/107, 118, 119; 190/100, 109, 112; 220/592.2, 915.1, 915.2

DESCRIPTION

[56] References Cited

U.S. PATENT DOCUMENTS

D. 292,056	9/1987	Decker, Jr. et al.	D7/605
D. 296,065	6/1988	Tarozzi	D7/605
D. 362,548	9/1995	King et al.	D3/276 X
D. 398,191	9/1998	Melk	D7/607

FIG. 1 is a top, right, front perspective view of the cooler of the claimed design;

FIG. 2 is a front elevational view thereof;

FIG. 3 is a rear elevational view thereof;

FIG. 4 is a right side elevational view thereof;

FIG. 5 is a left side elevational view thereof;

FIG. 6 is a top plan view thereof; and,

FIG. 7 is a bottom plan view thereof.

1 Claim, 4 Drawing Sheets

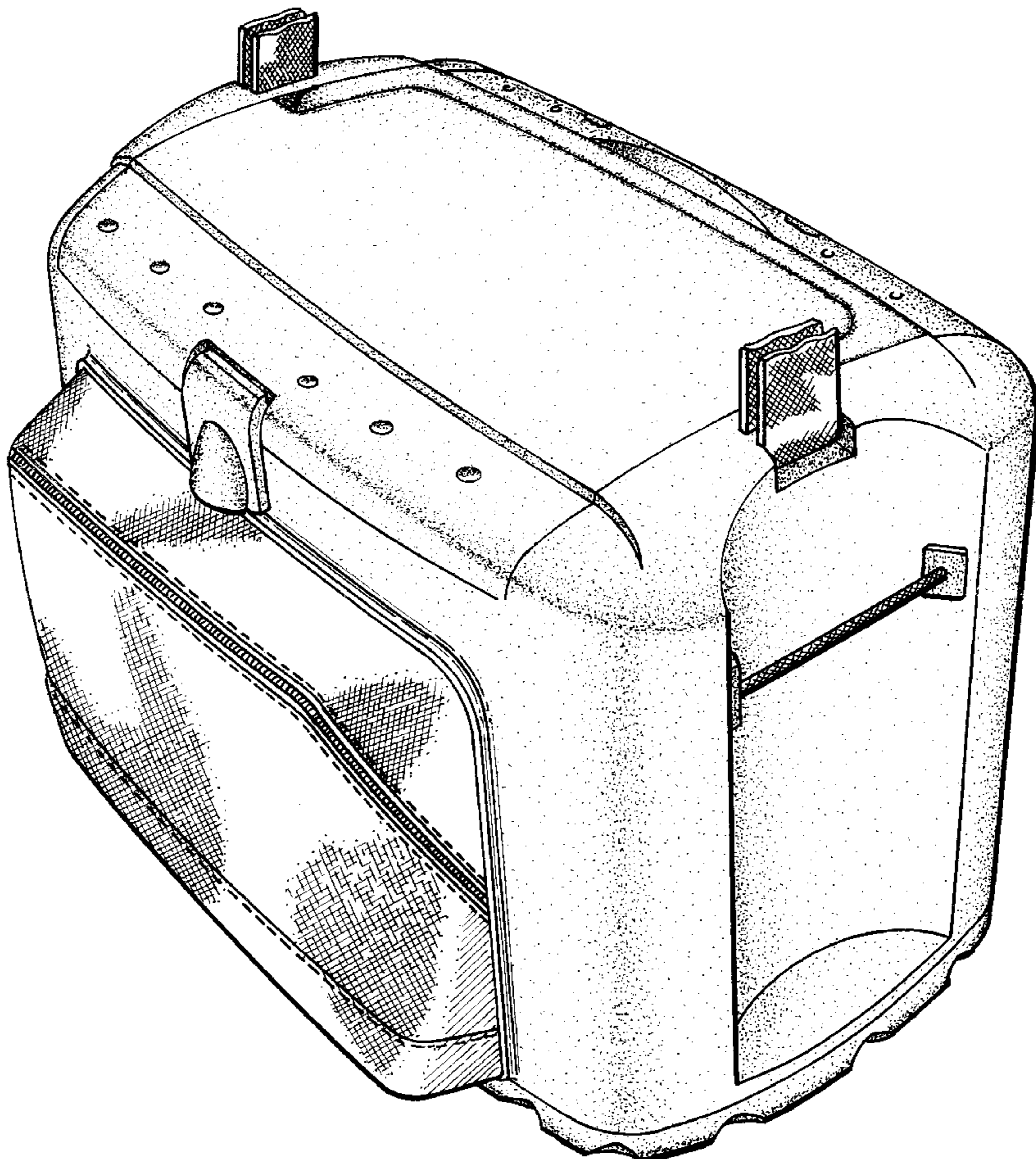


FIG. 1

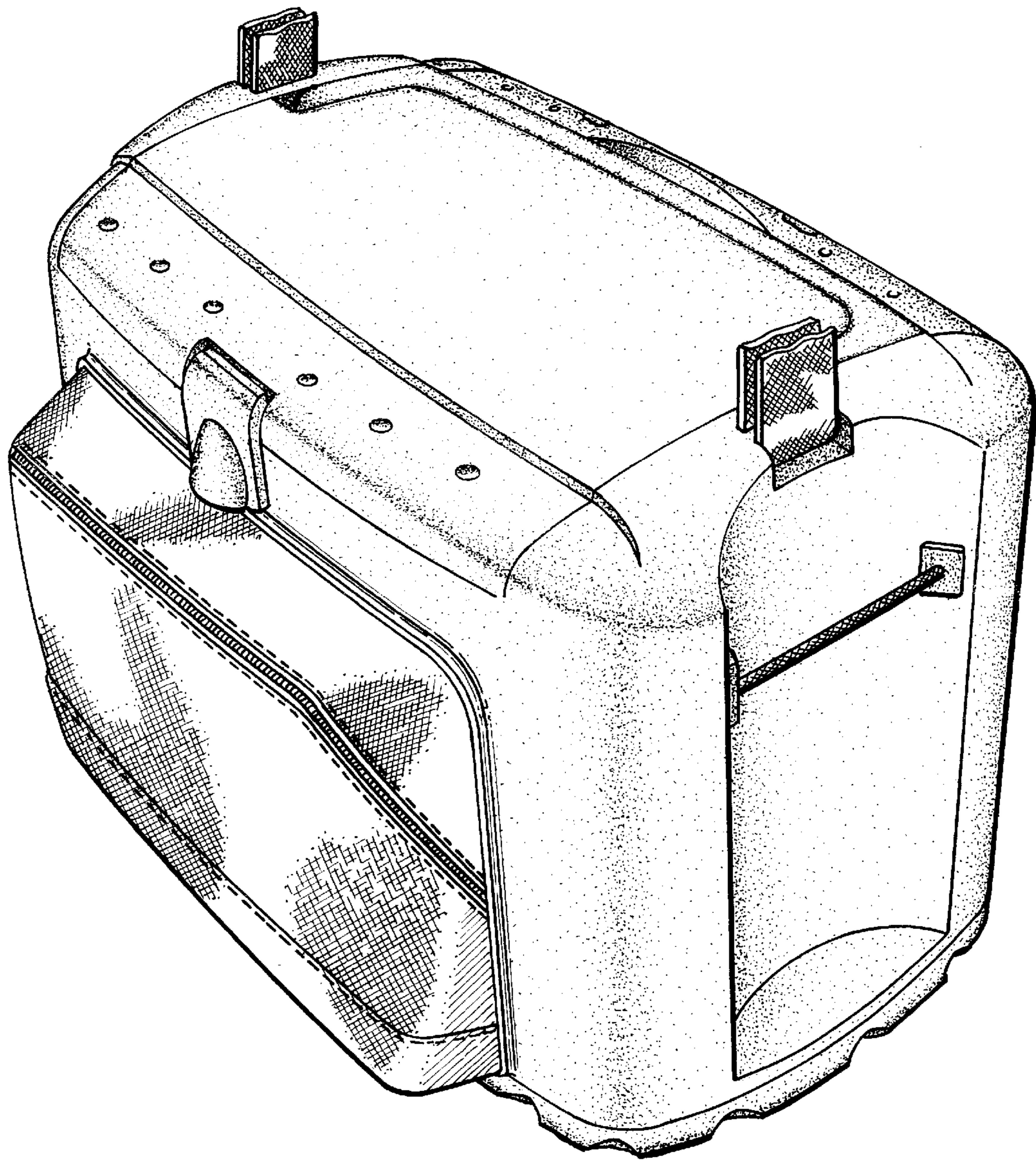


FIG. 2

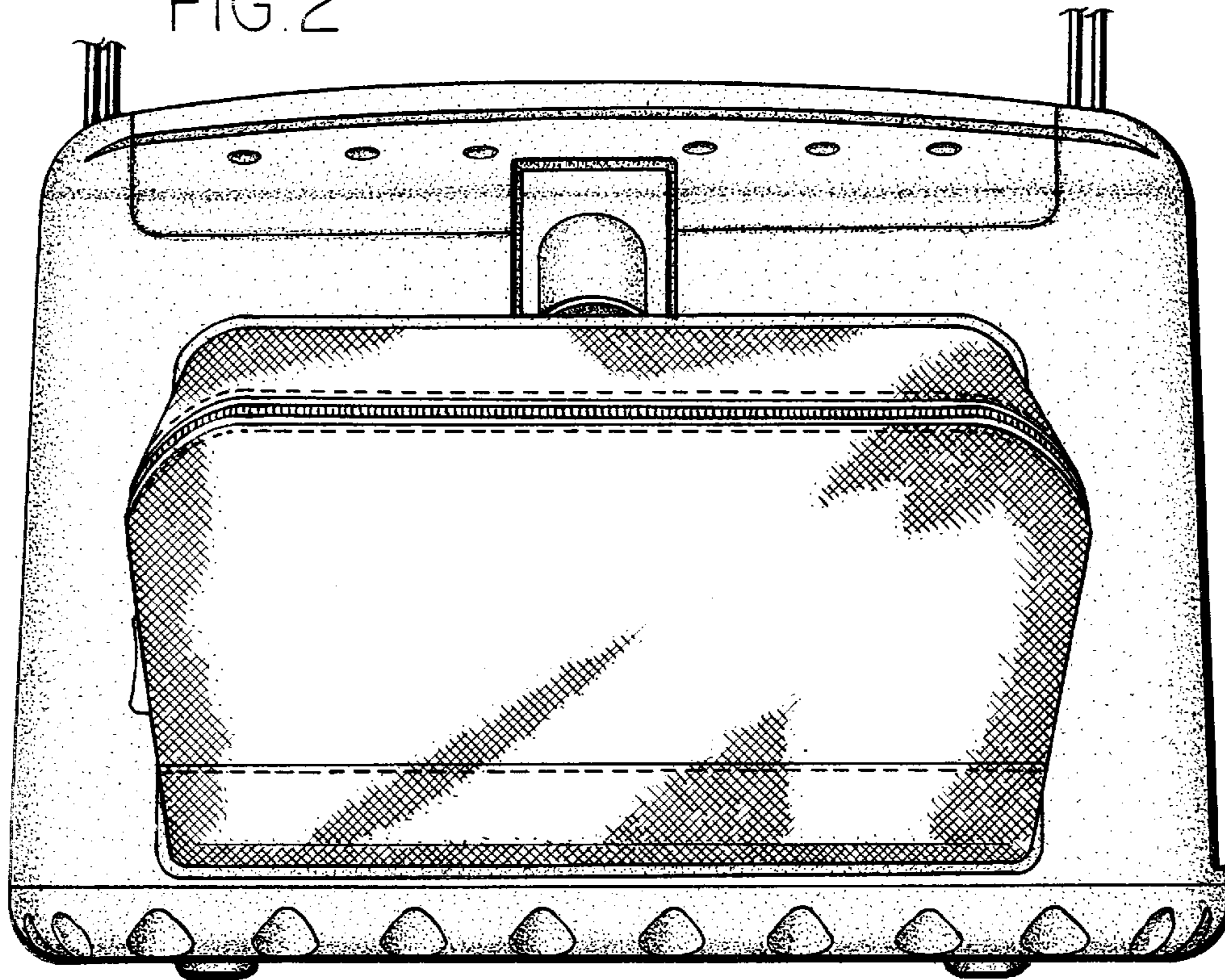


FIG. 3

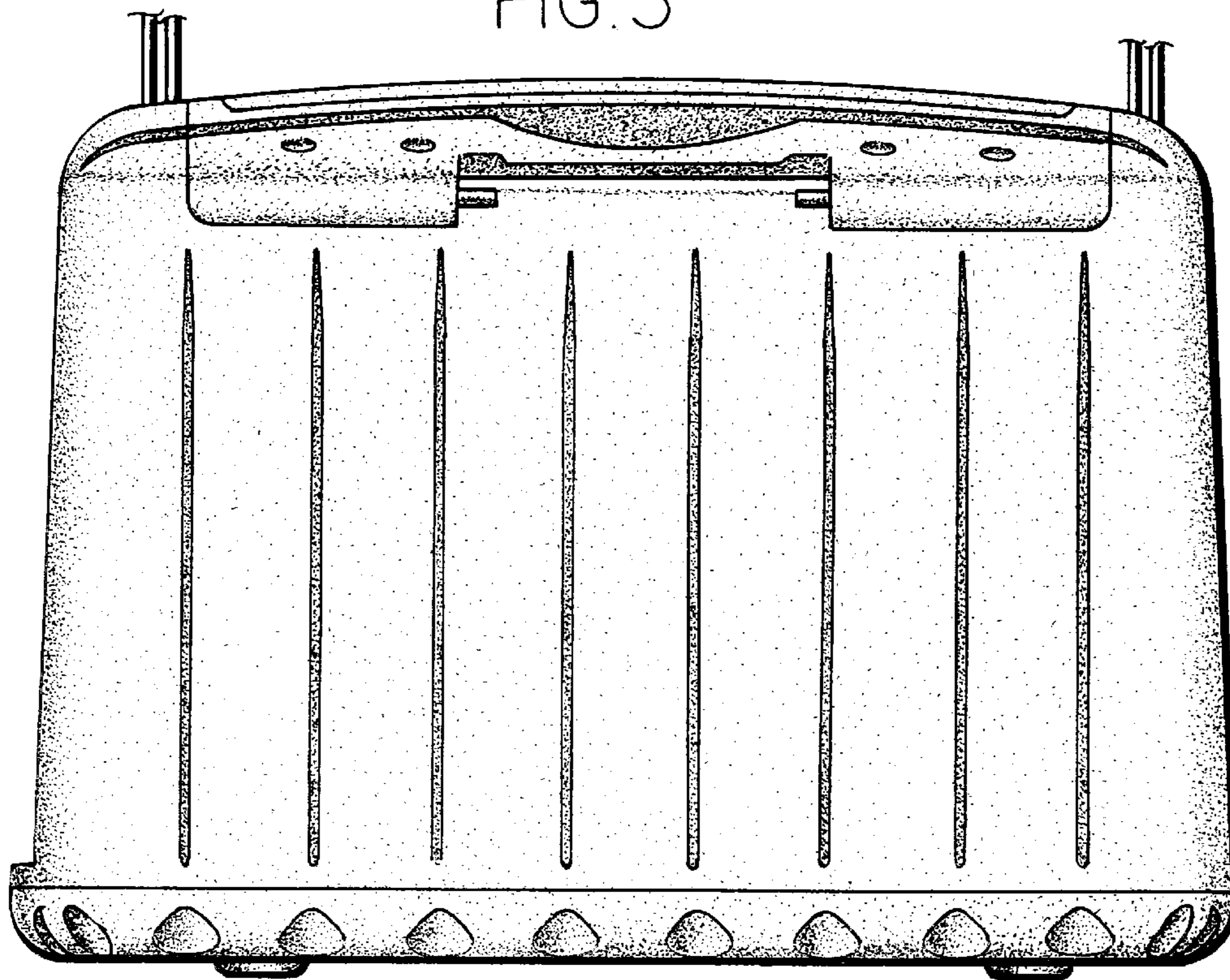


FIG. 4

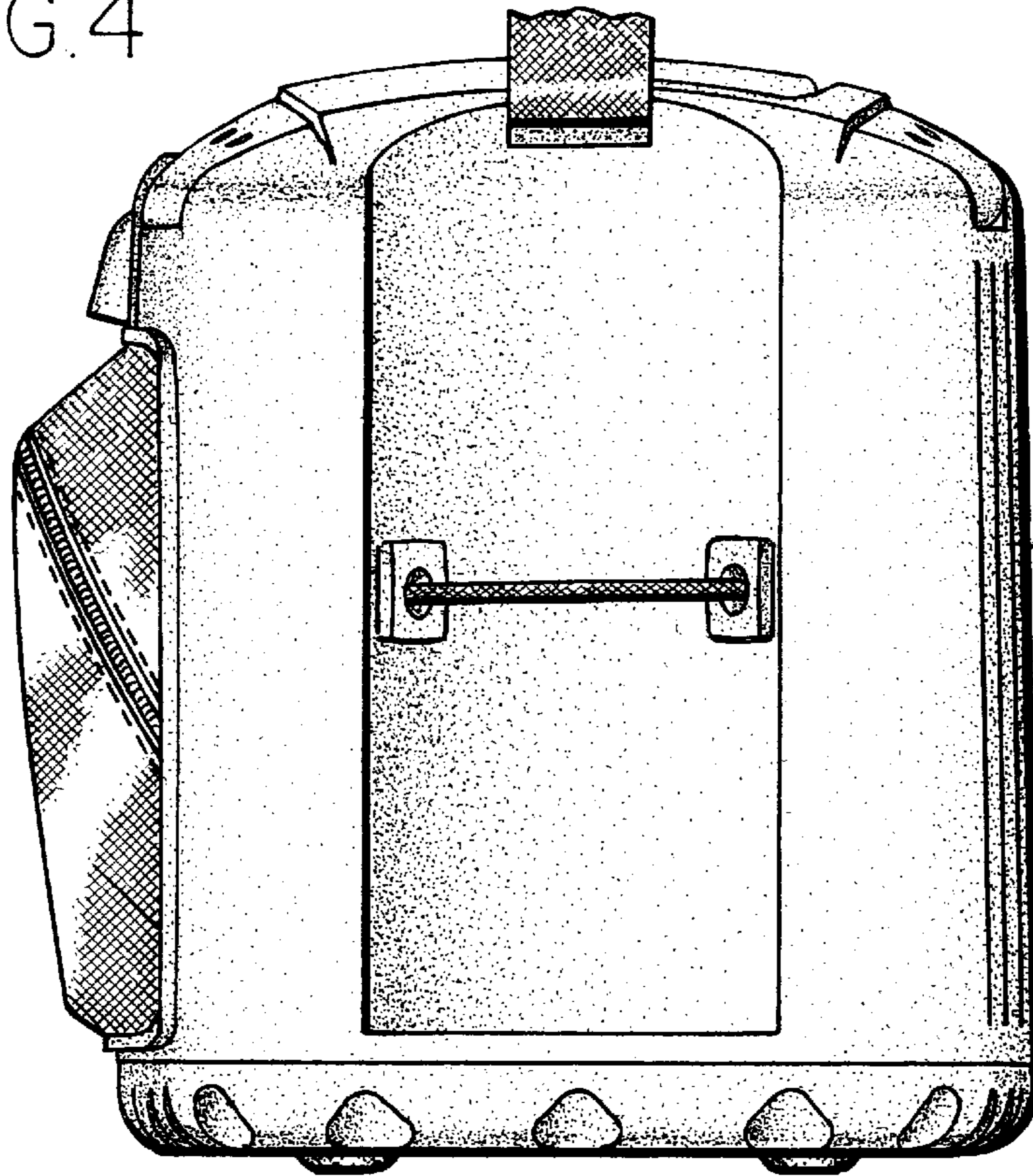


FIG. 5

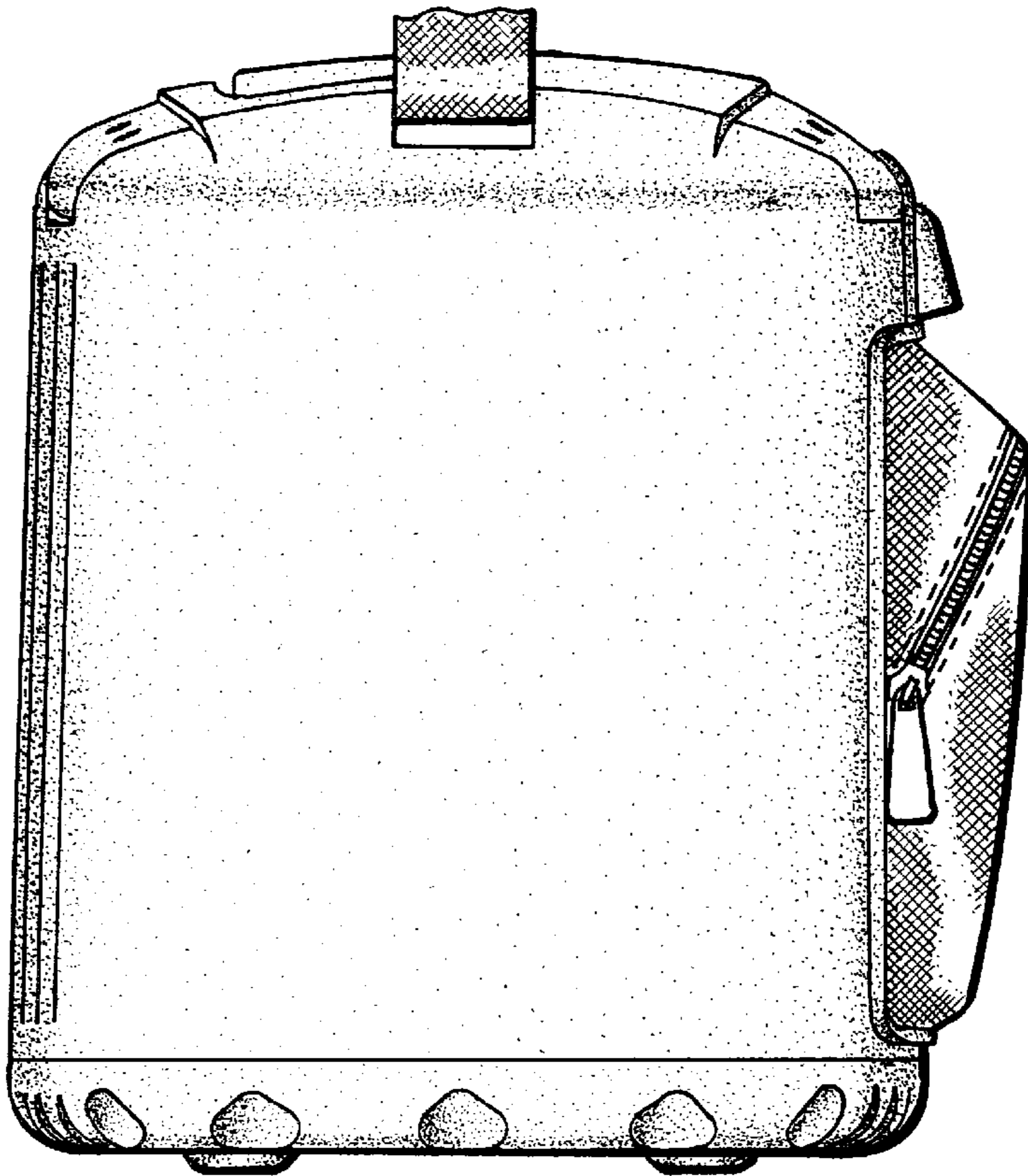


FIG. 6

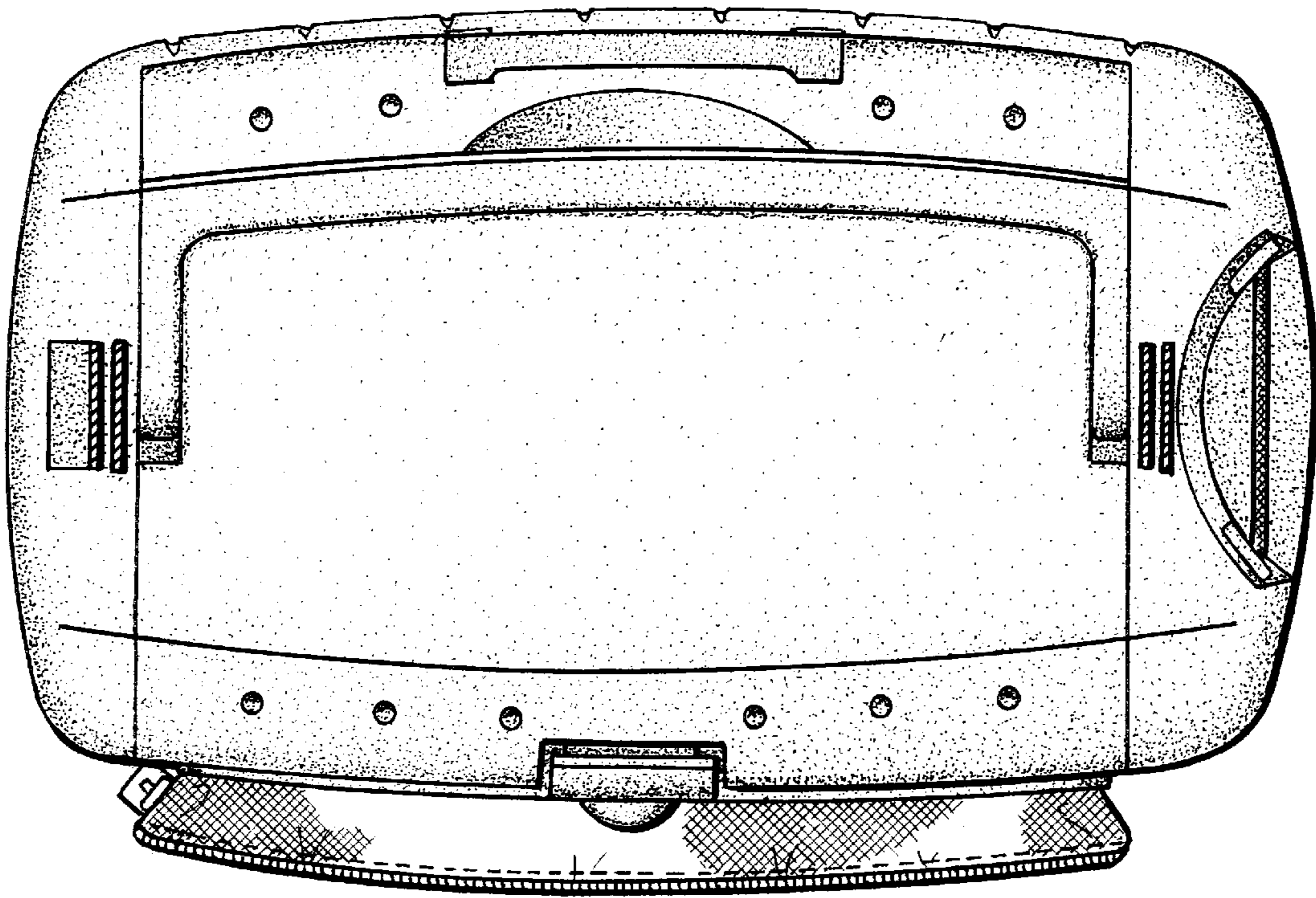


FIG. 7

