



US00D423284S

United States Patent [19] Fischer

[11] Patent Number: Des. 423,284

[45] Date of Patent: ** Apr. 25, 2000

[54] COFFEE BREW BASKET

[75] Inventor: Rudolph Fischer, Huntersville, N.C.

[73] Assignee: S&D Coffee, Inc., Concord, N.C.

[**] Term: 14 Years

[21] Appl. No.: 29/105,220

[22] Filed: May 20, 1999

[51] LOC (6) Cl. 07-99

[52] U.S. Cl. D7/400

[58] Field of Search D7/400, 309, 310,
D7/300; D23/209; 210/499, 495, 455, 282,
473, 474; 99/280

[56] References Cited

U.S. PATENT DOCUMENTS

Re. 34,473	12/1993	Ryan et al.	99/307
D. 225,077	11/1972	Martin et al.	D7/400
D. 288,057	2/1987	Webster	D7/400
D. 322,735	12/1991	Morton	D7/400
D. 341,286	11/1993	Grykiewicz et al.	D7/400
D. 341,992	12/1993	Gasser	D7/400
D. 389,697	1/1998	Smit	D7/400
3,719,282	3/1973	Schwartz	210/477
3,795,182	3/1974	Van Damme	99/306
3,935,112	1/1976	Greutert	210/456
4,149,454	4/1979	Kemp	99/295
4,280,401	7/1981	Cleland	99/295
4,642,190	2/1987	Zimmerman	210/464
4,739,697	4/1988	Roberts	99/295
4,794,853	1/1989	Weber	99/295
4,825,757	5/1989	Stoner	99/279
4,832,845	5/1989	Hendretti	210/470
4,859,348	8/1989	Jusaitis et al.	210/799
4,865,737	9/1989	McMichael	210/477
5,036,755	8/1991	Abdenour	99/306
5,064,533	11/1991	Anson	210/232
5,287,797	2/1994	Grykiewicz et al.	99/295
5,290,444	3/1994	Campbell	210/473
5,309,820	5/1994	Baxter et al.	D7/400 X
5,347,916	9/1994	Fond et al.	99/295
5,515,771	5/1996	Smit	99/280
5,555,791	9/1996	McNeill et al.	99/295

5,669,287	9/1997	Jefferson, Jr. et al.	99/299
5,687,636	11/1997	Diore et al.	99/285
5,725,765	3/1998	Shen	210/238
5,736,042	4/1998	Aoki	210/474
5,778,764	7/1998	Nielsen	99/285
5,813,319	9/1998	Lee	99/299
5,826,493	10/1998	Tien Lin	99/306
5,870,943	2/1999	Levi et al.	99/287

OTHER PUBLICATIONS

Photographs of a plastic brew basket, Bunn-o-matic Corp., believed to be prior art.

Photographs of a plastic brew basket, Bunn-o-matic Corp., believed to be prior art.

Photographs of a plastic brew basket, Bunn-o-matic Corp., believed to be prior art.

Primary Examiner—M. N. Pandozzi

Attorney, Agent, or Firm—Rhodes & Mason, P.L.L.C.

[57] CLAIM

The ornamental design for a coffee brew basket, as shown and described.

DESCRIPTION

FIG. 1 is a top left front perspective view of a coffee brew basket showing my new design;

FIG. 2 is a bottom right front perspective view thereof;

FIG. 3 is a front elevational view thereof;

FIG. 4 is a rear elevational view thereof;

FIG. 5 is a left side elevational view thereof;

FIG. 6 is a right side view thereof;

FIG. 7 is a bottom view thereof;

FIG. 8 is a top view thereof;

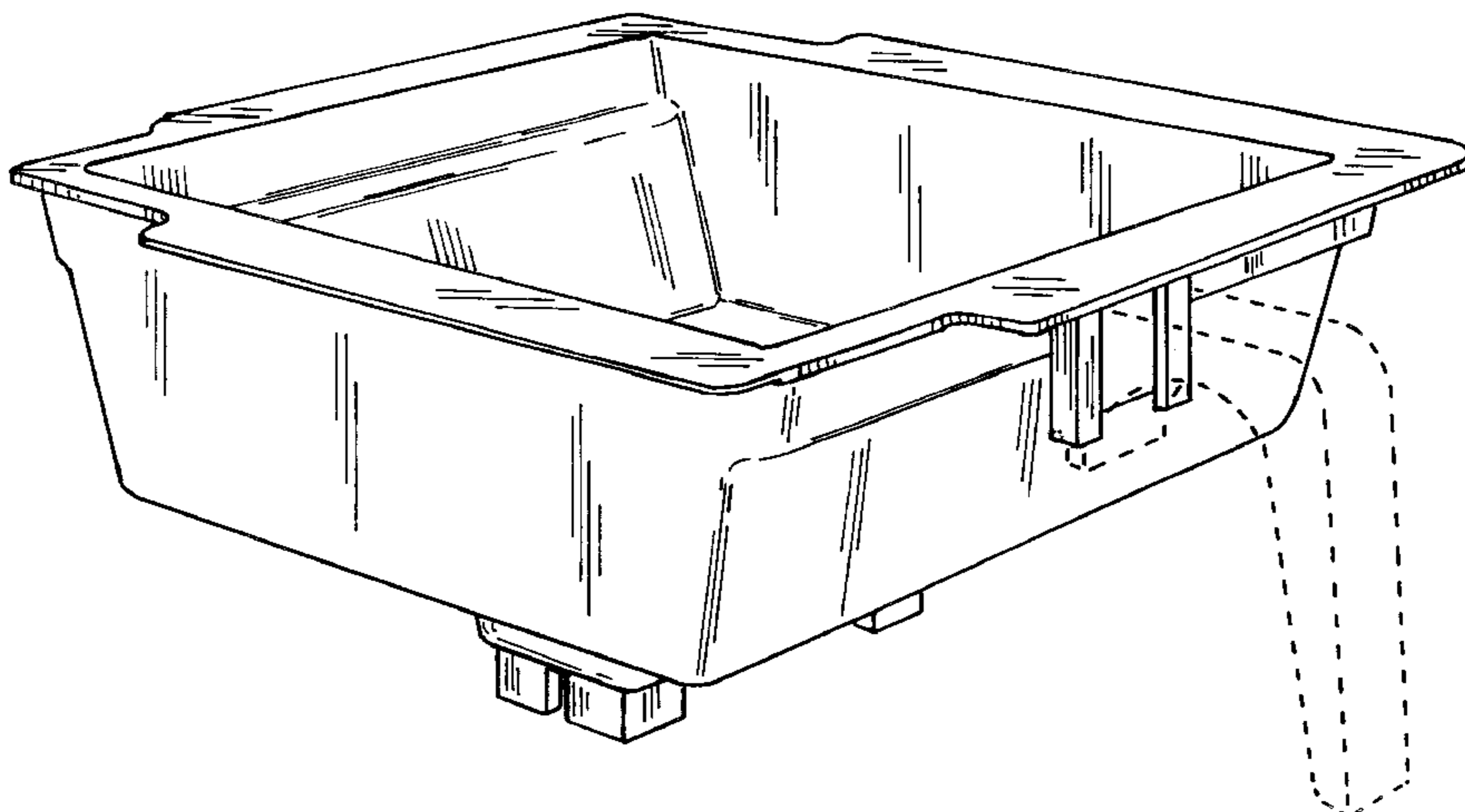
FIG. 9 is a cross-sectional view thereof taken along line 9—9 in FIG. 8; and,

FIG. 10 is a top right front perspective view thereof.

The broken line showing of a handle in FIGS. 1, 2, and in an alternate position in FIG. 10 is for illustrative purposes only and forms no part of the claimed design.

The dashed lines shown in FIGS. 1, 2 and 10 represent environmental elements only and form no part of the claimed design.

1 Claim, 5 Drawing Sheets



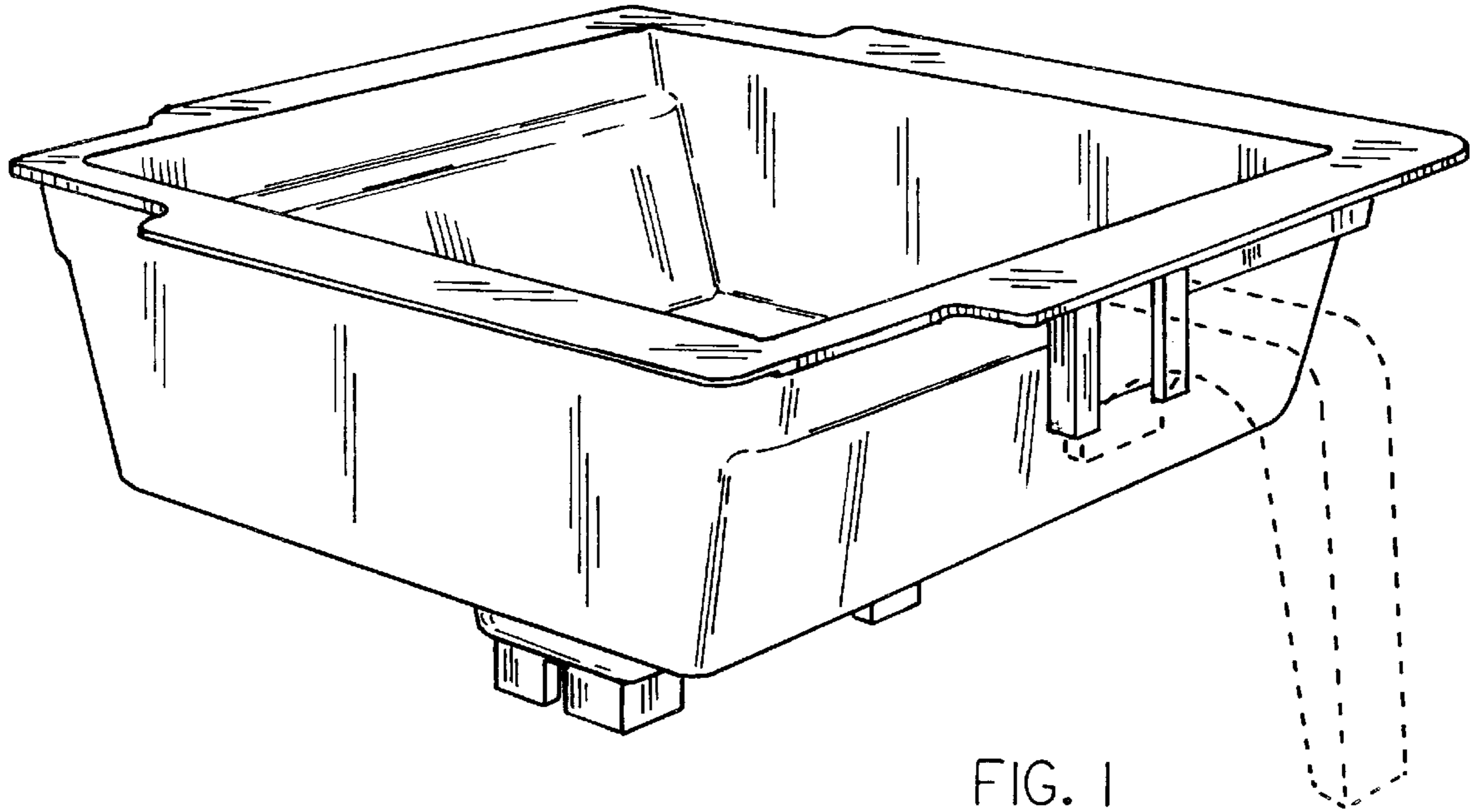
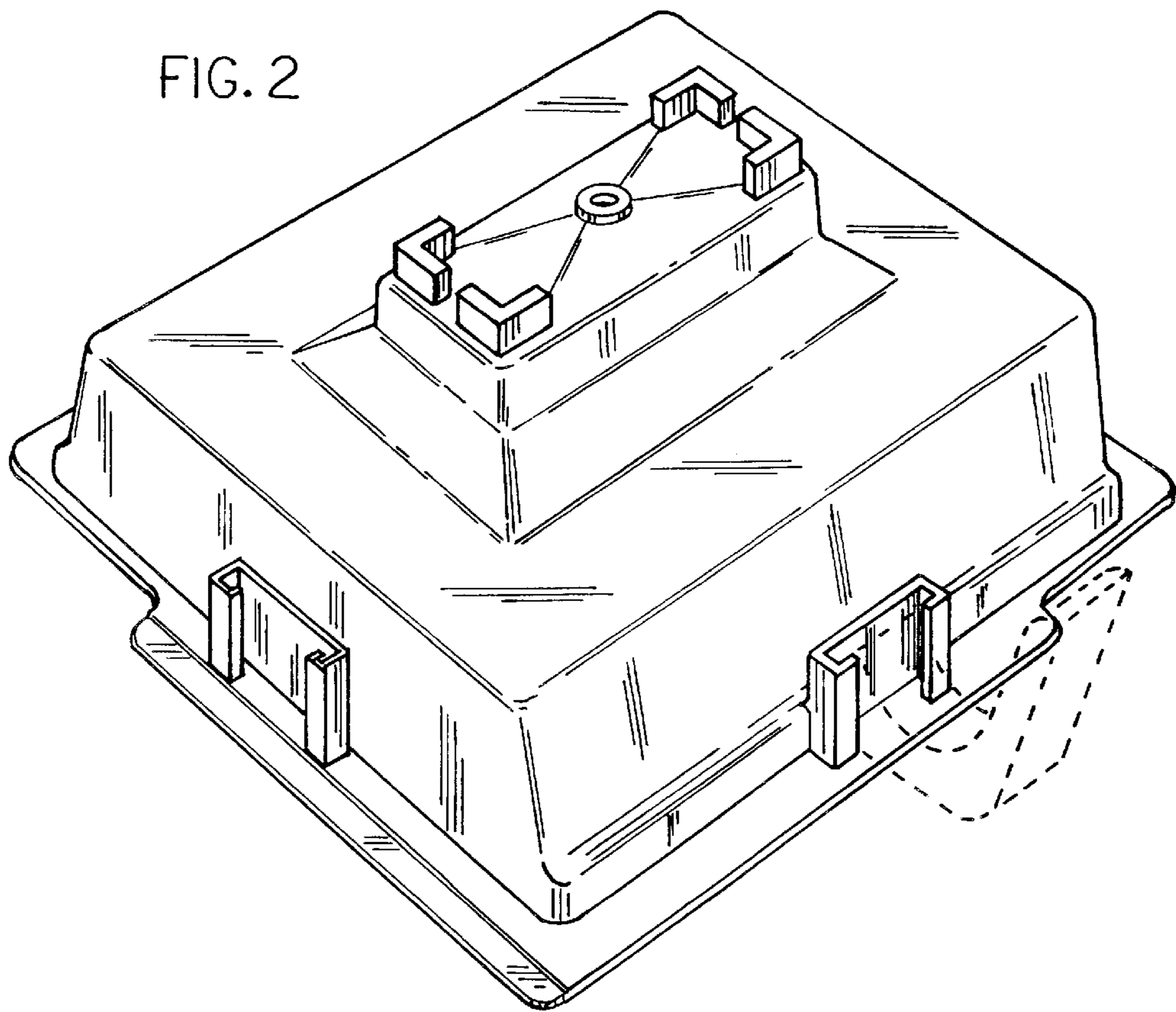


FIG. 2



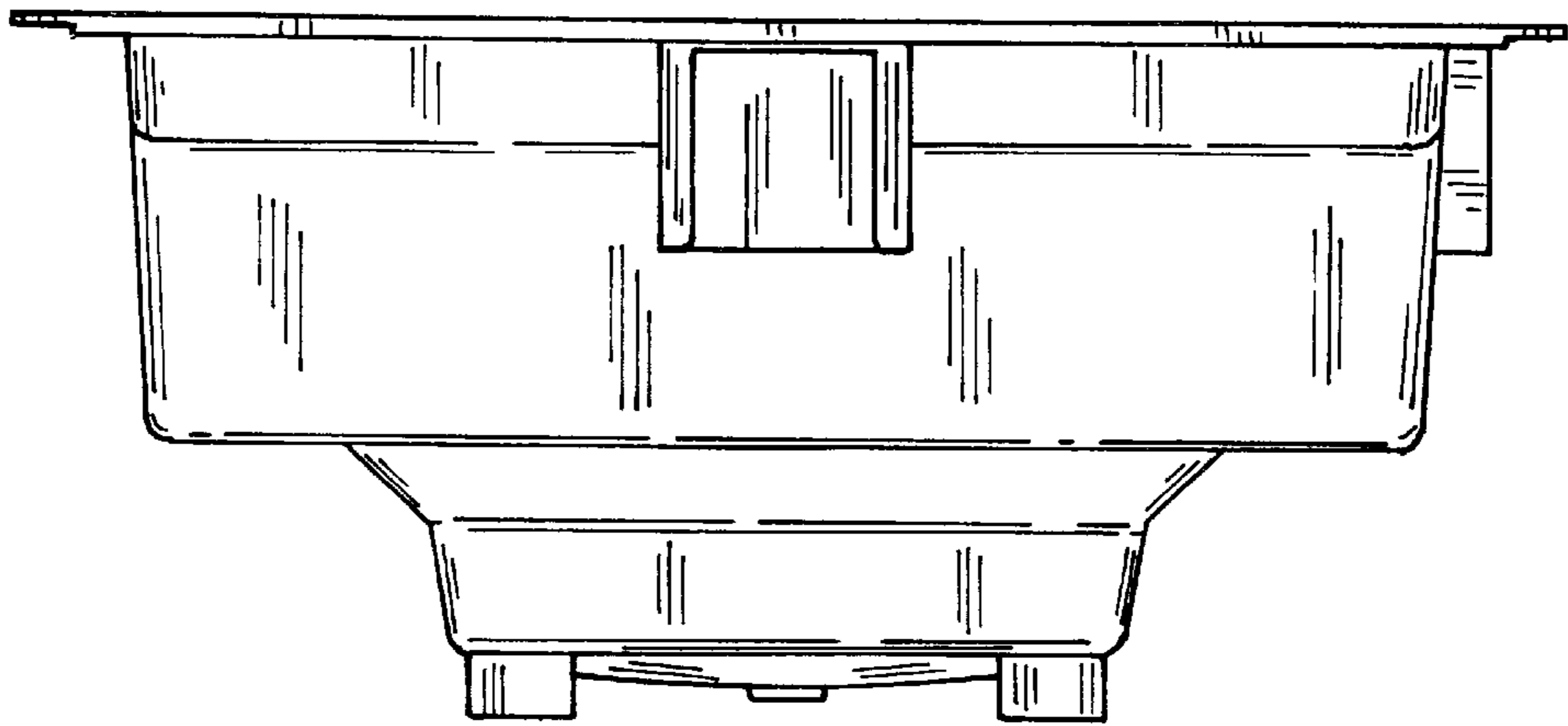


FIG. 3

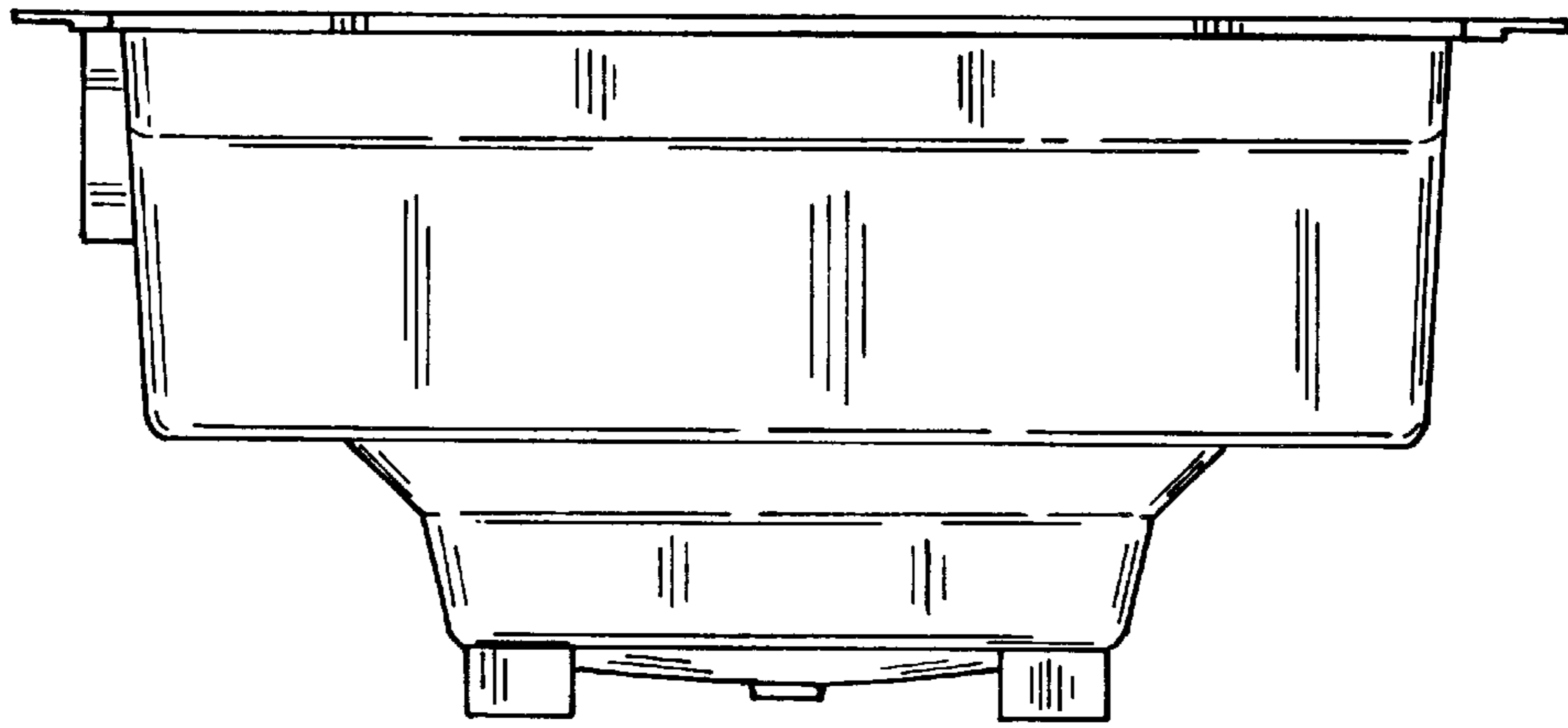


FIG. 4

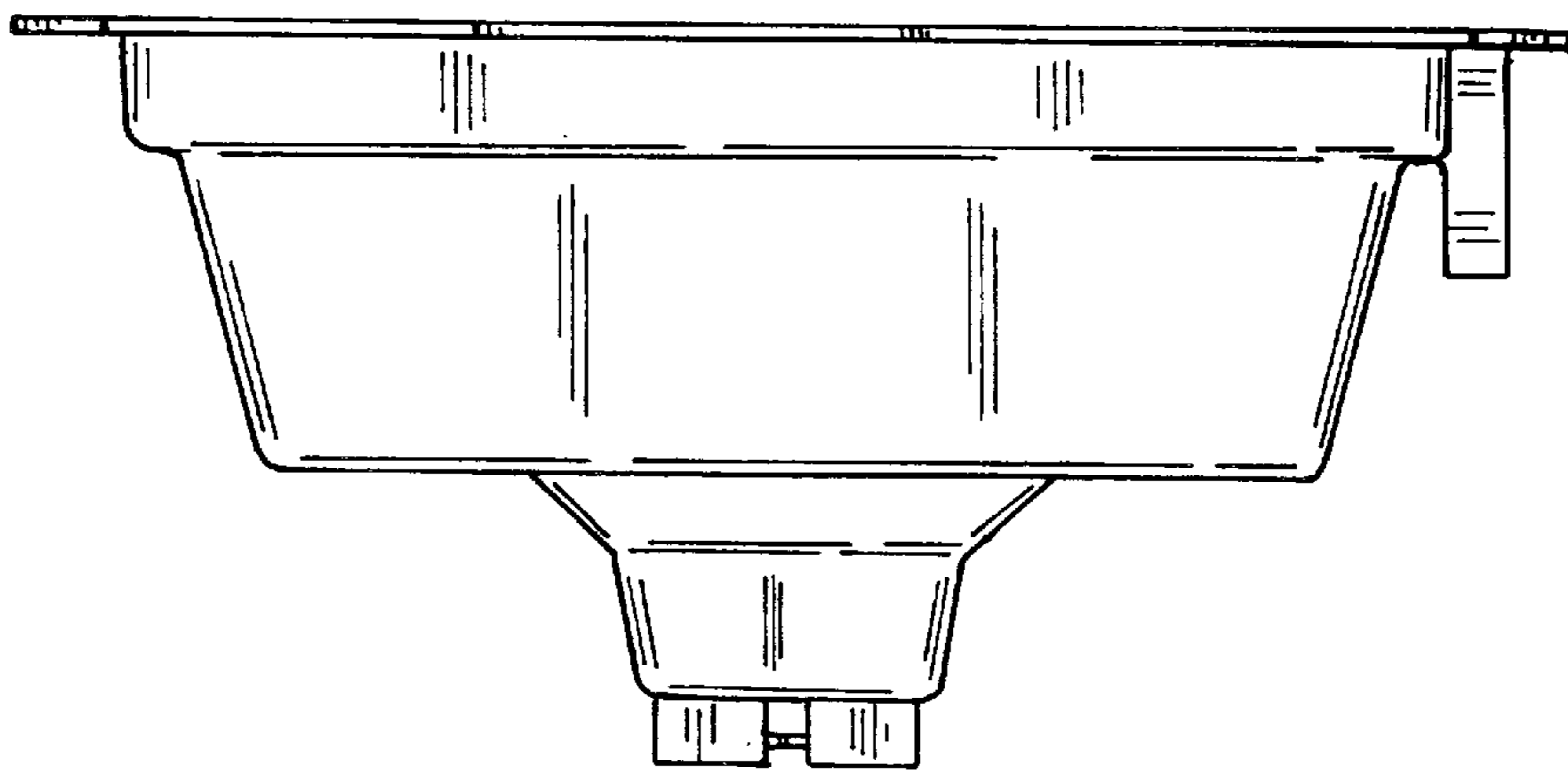


FIG. 5

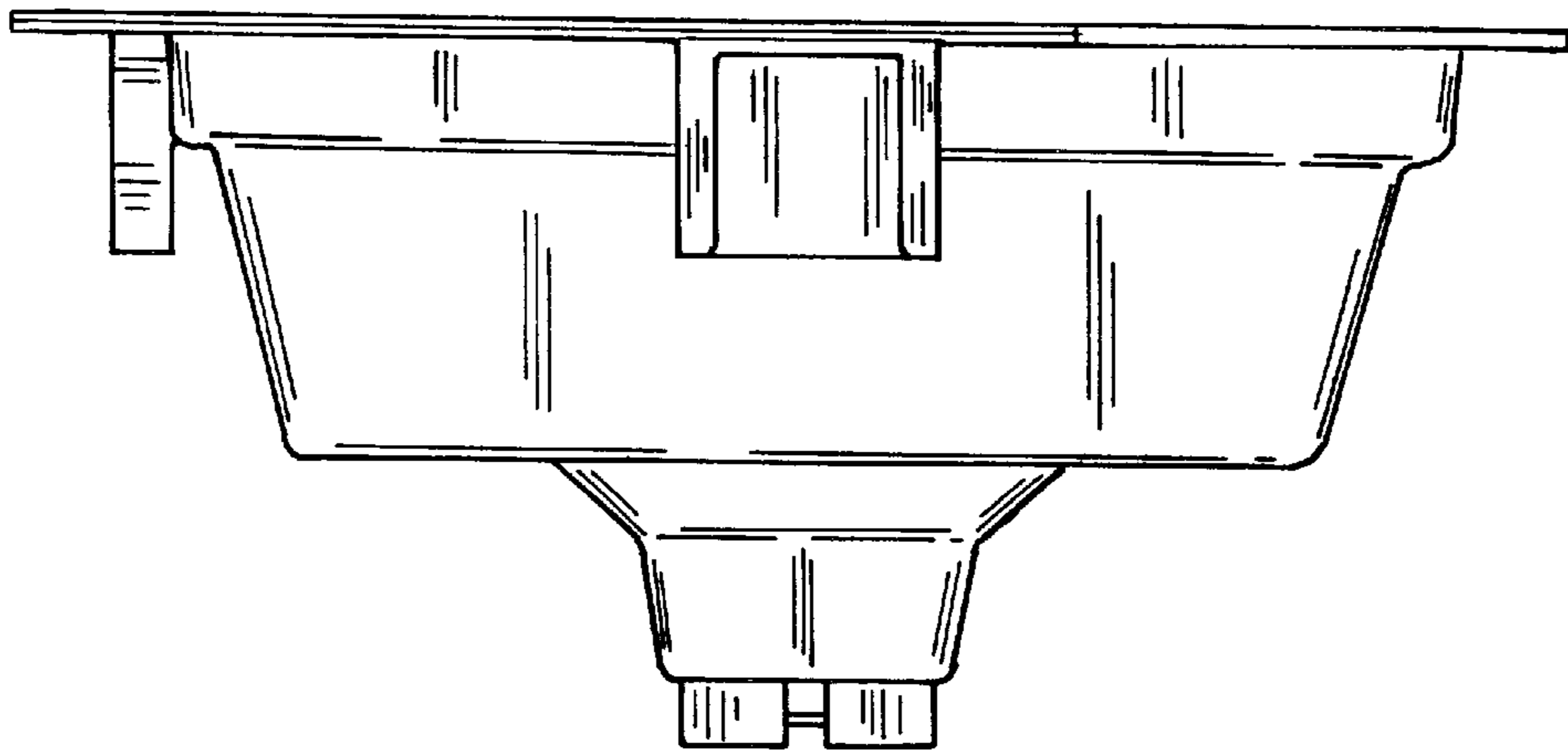
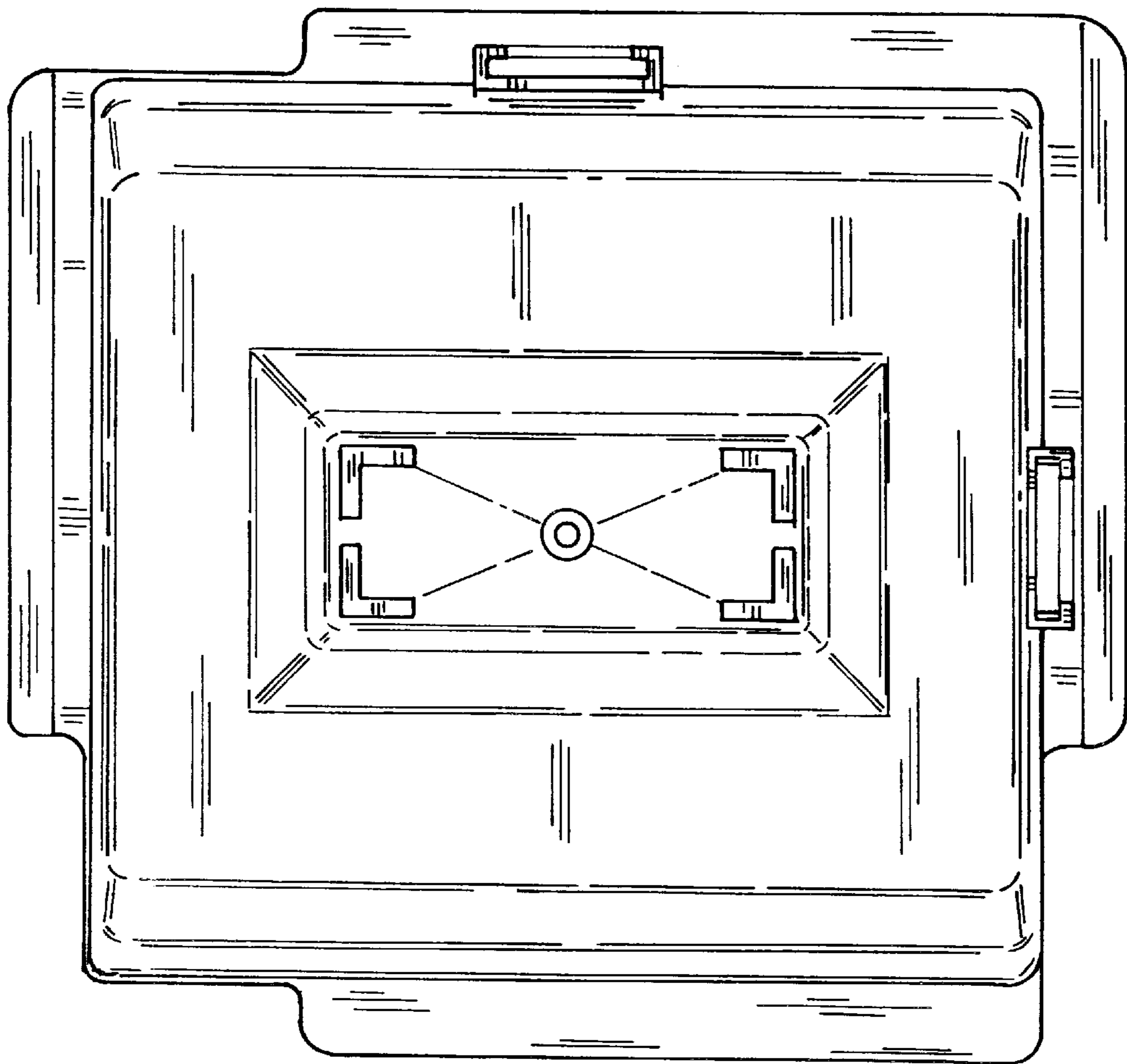


FIG. 6

FIG. 7



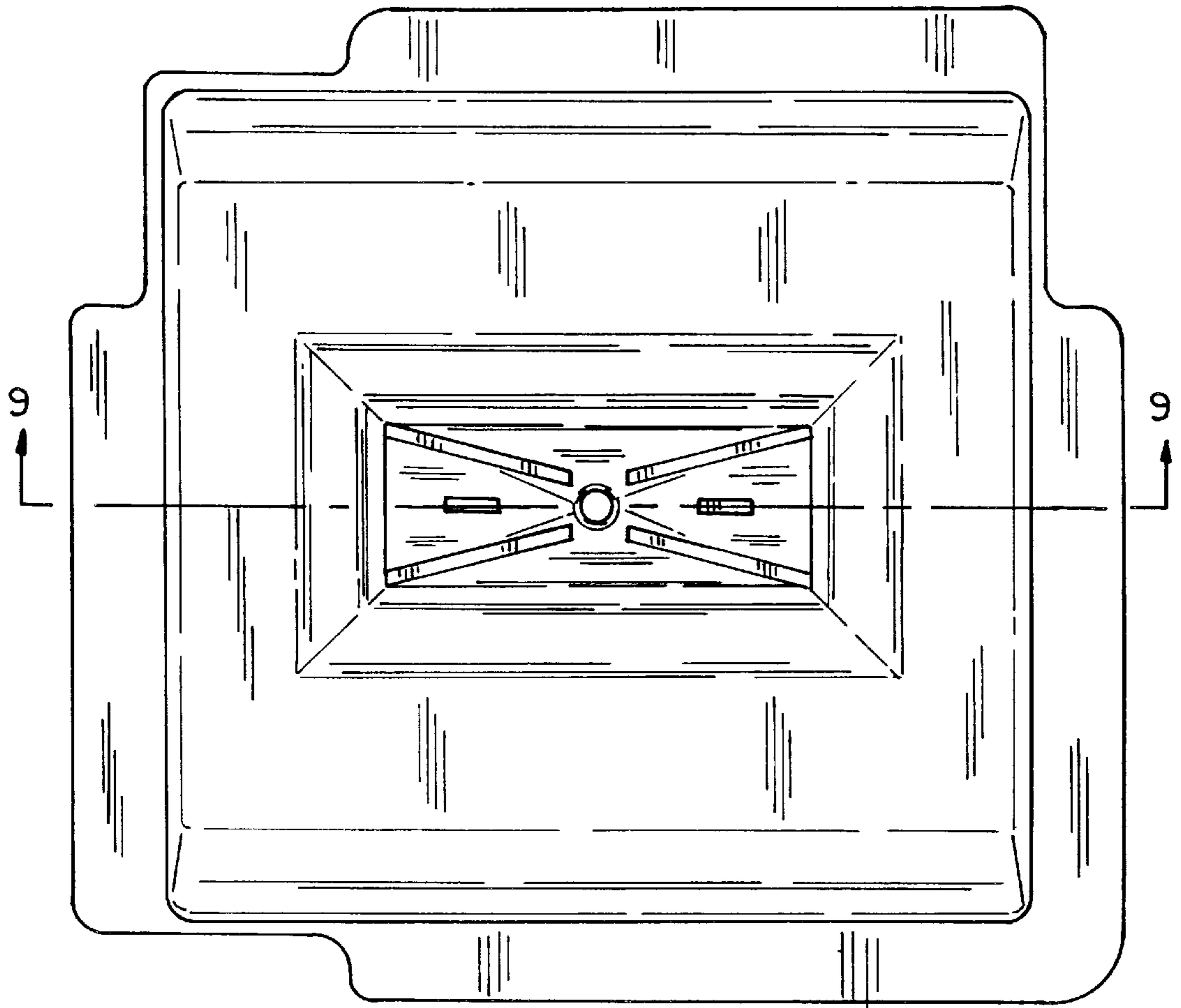
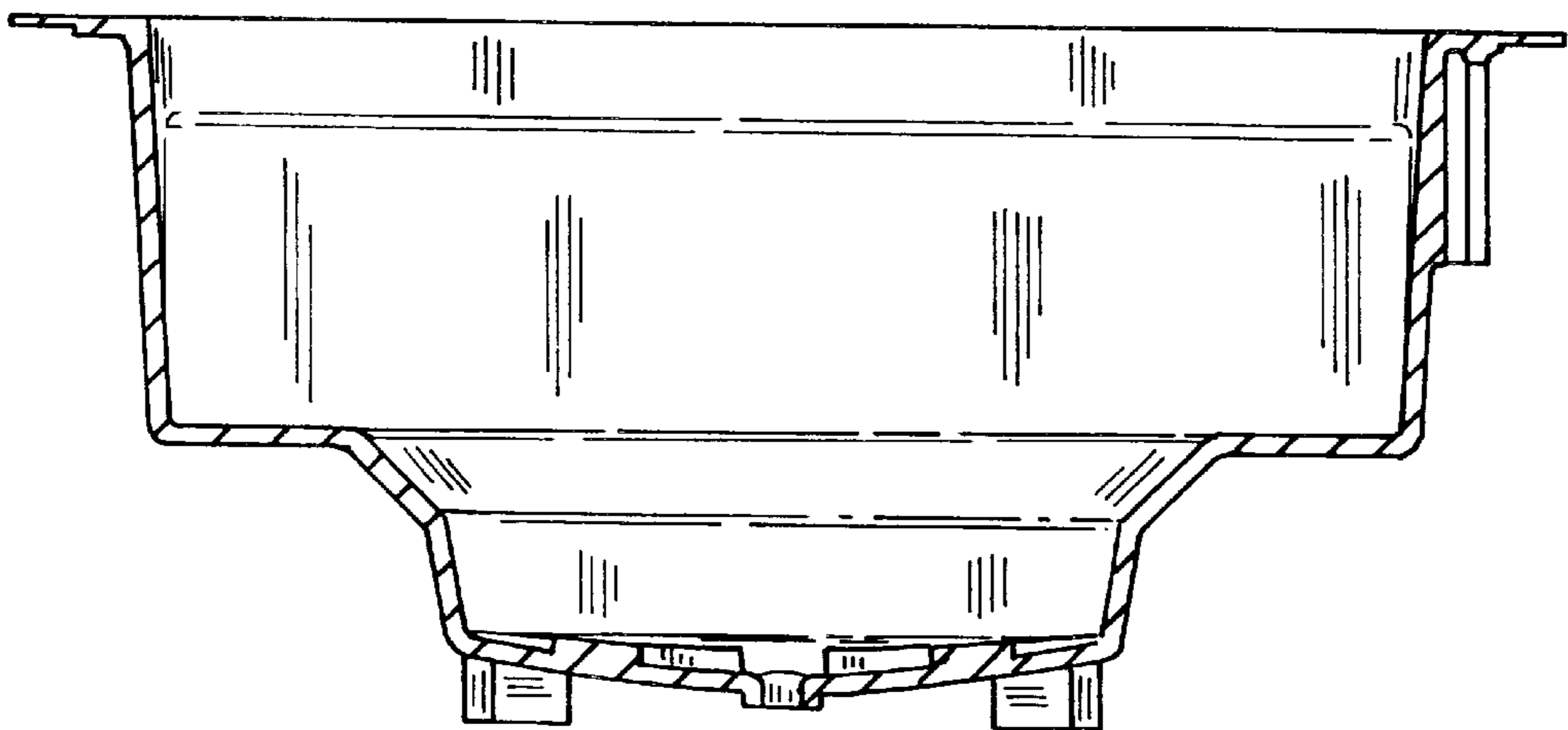


FIG. 8

FIG. 9



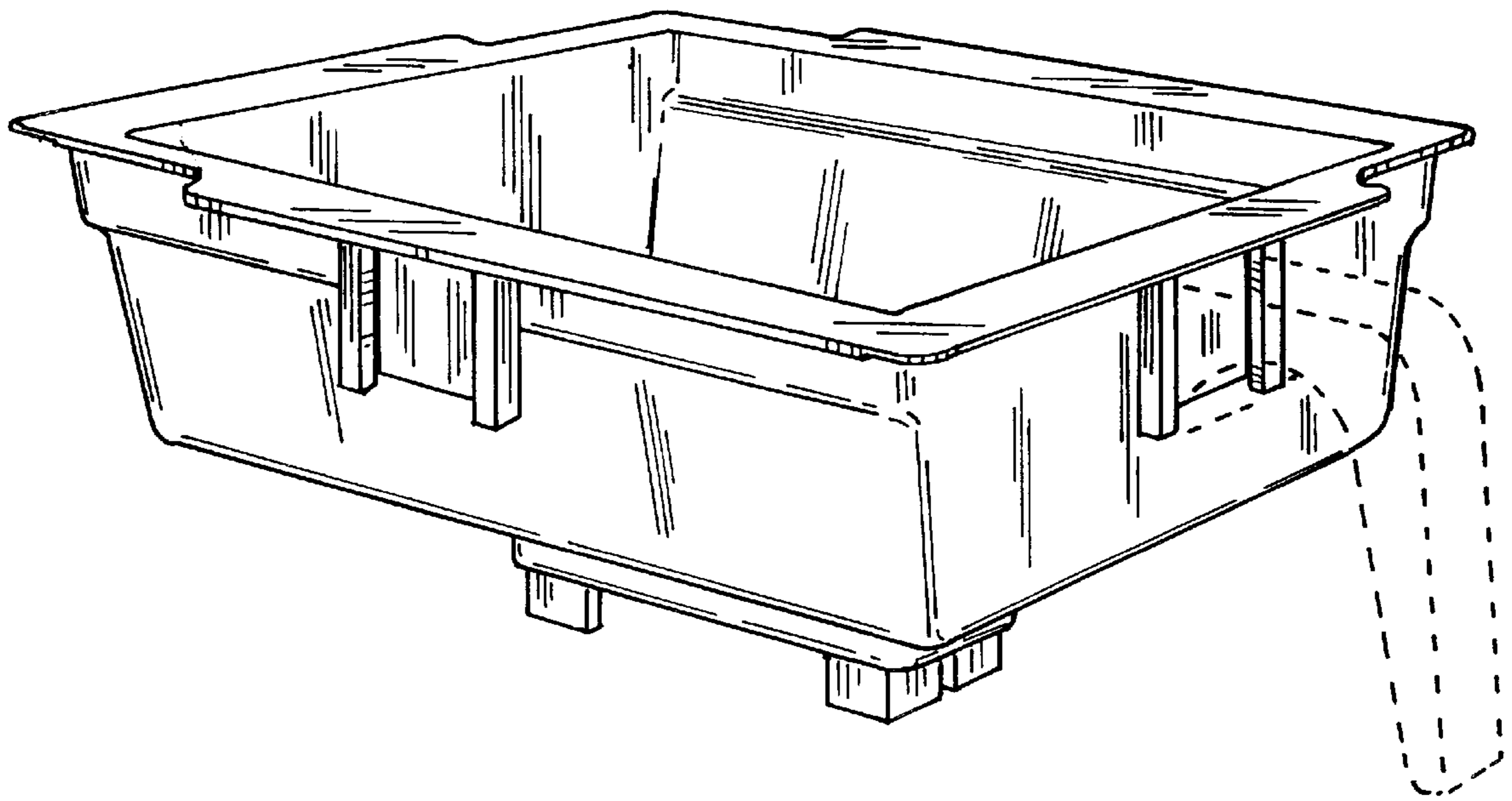


FIG. 10

UNITED STATES PATENT AND TRADEMARK OFFICE
CERTIFICATE OF CORRECTION

PATENT NO. : Des. 423,284
DATED : April 25, 2000
INVENTOR(S) : Rudolph Fischer

Page 1 of 3

It is certified that error appears in the above-identified patent and that said Letters Patent is hereby corrected as shown below:

Please delete Figures 5 and 6, and substitute therefore Figures 5 and 6 as shown on the attached pages.

Signed and Sealed this
Tenth Day of July, 2001

Attest:

Nicholas P. Godici

Attesting Officer

NICHOLAS P. GODICI
Acting Director of the United States Patent and Trademark Office

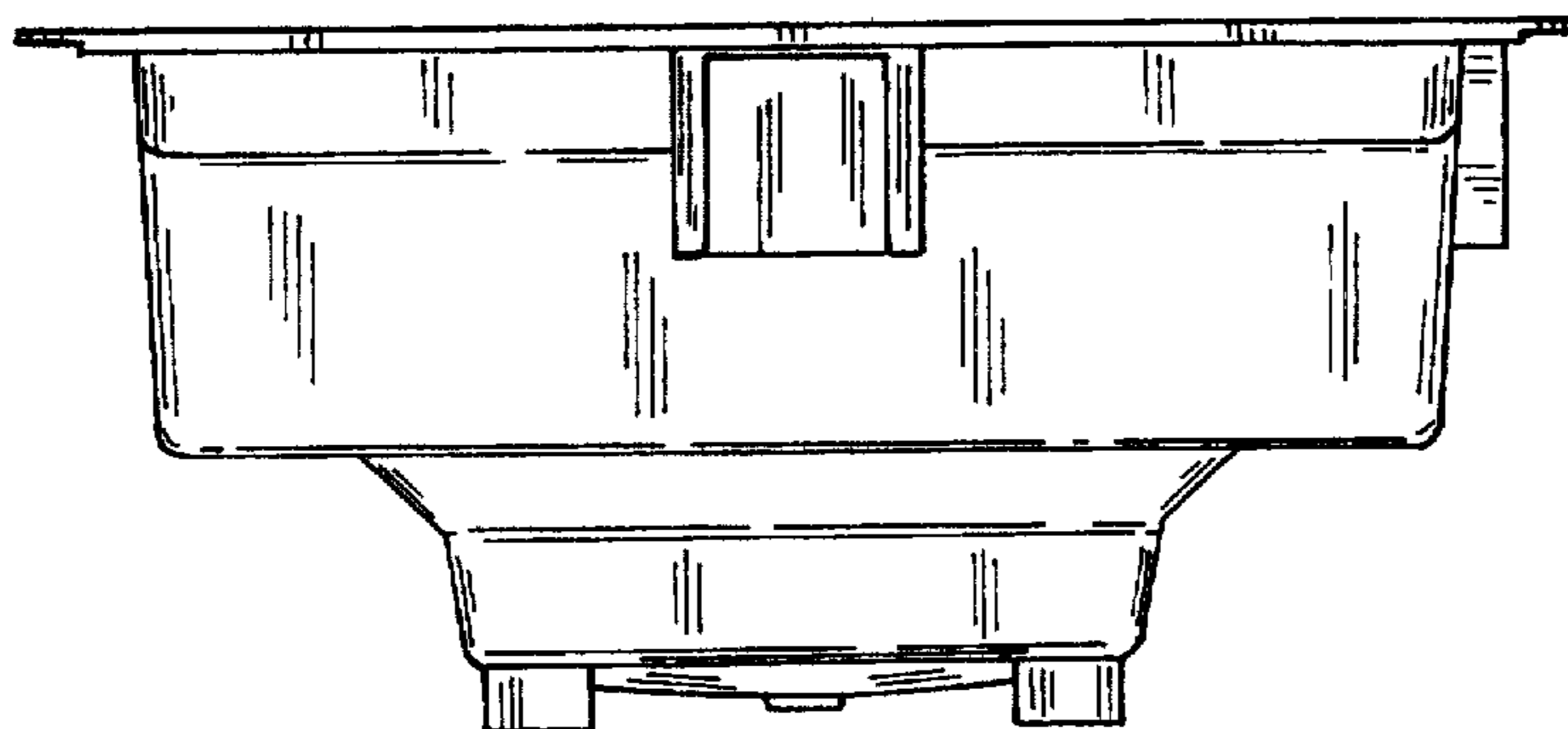


FIG. 3

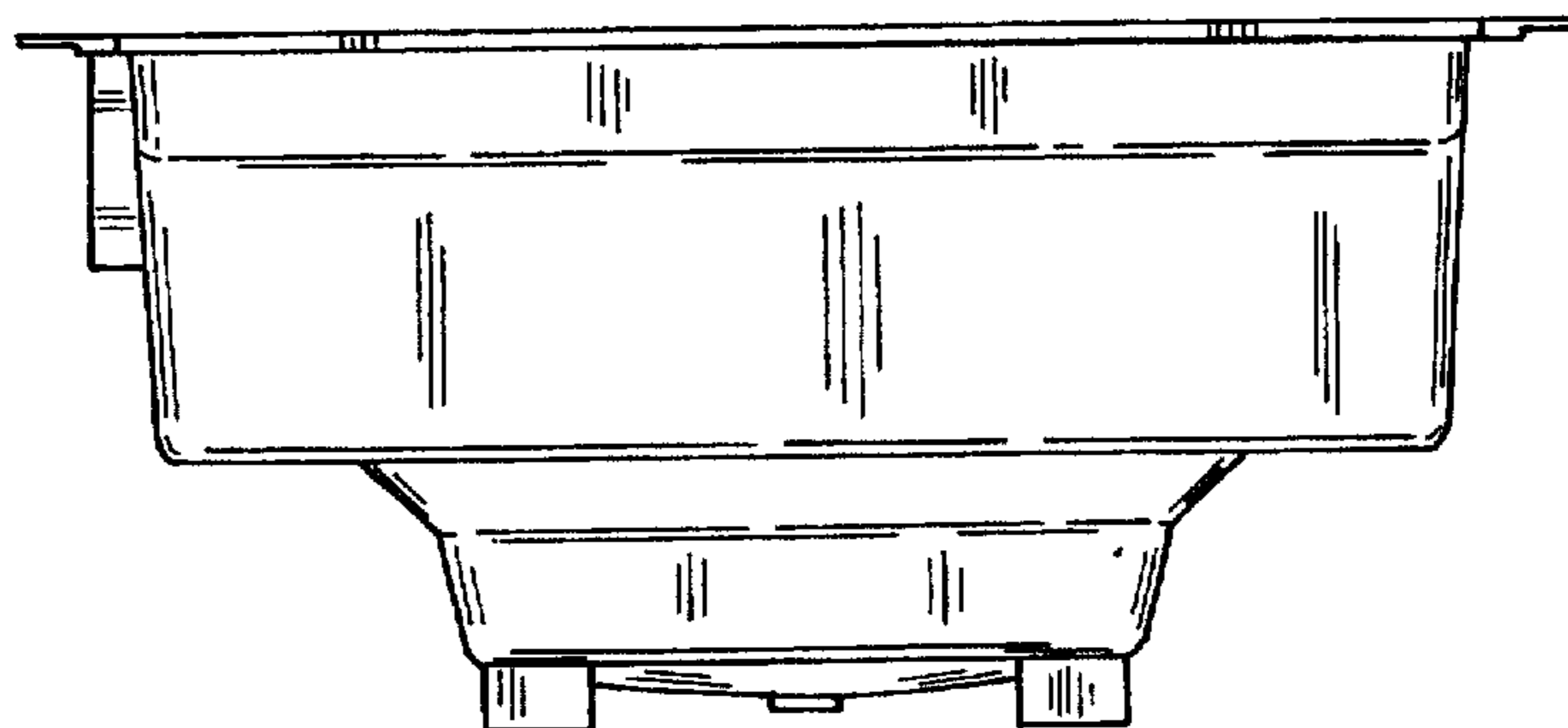


FIG. 4

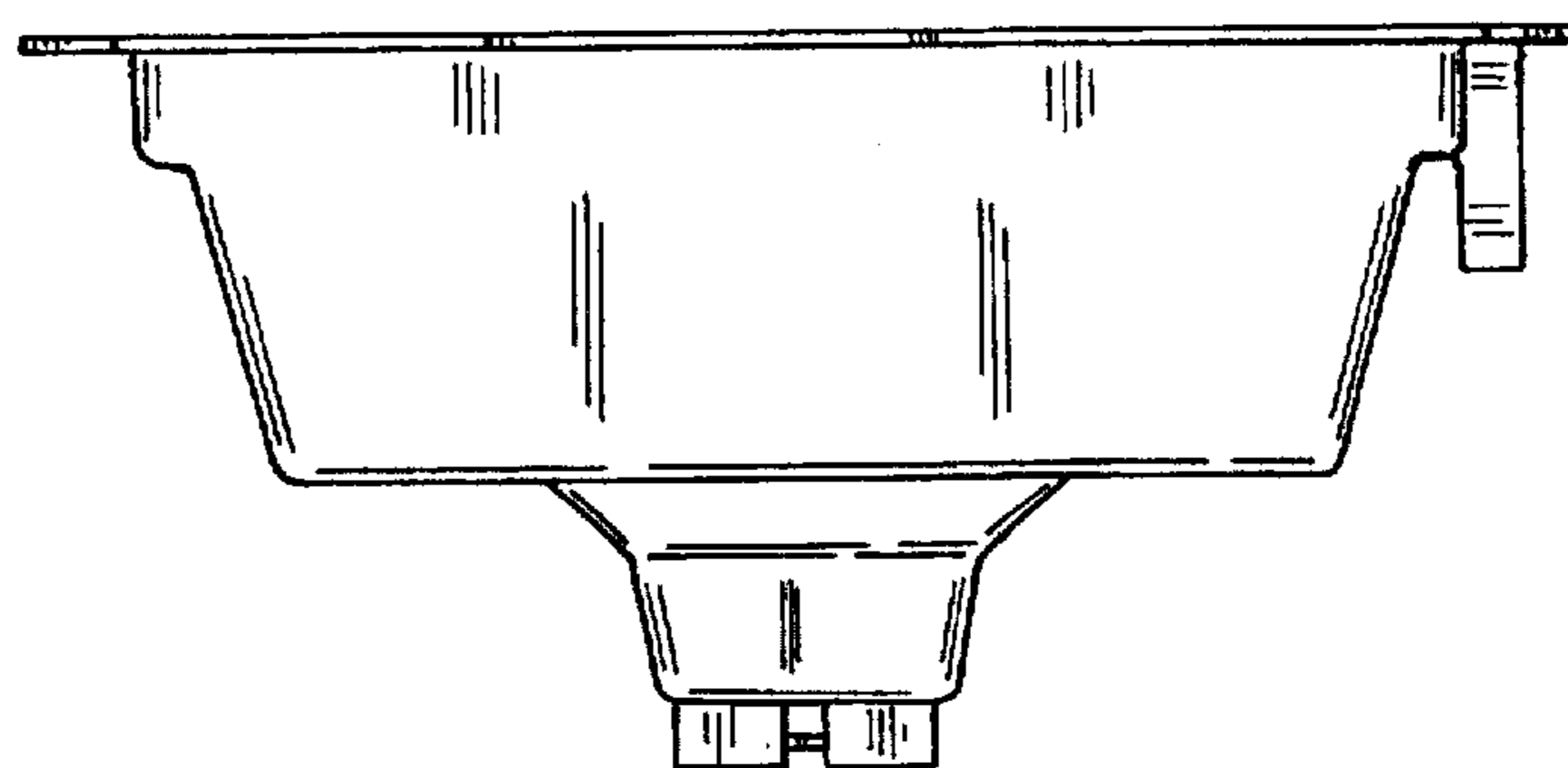


FIG. 5

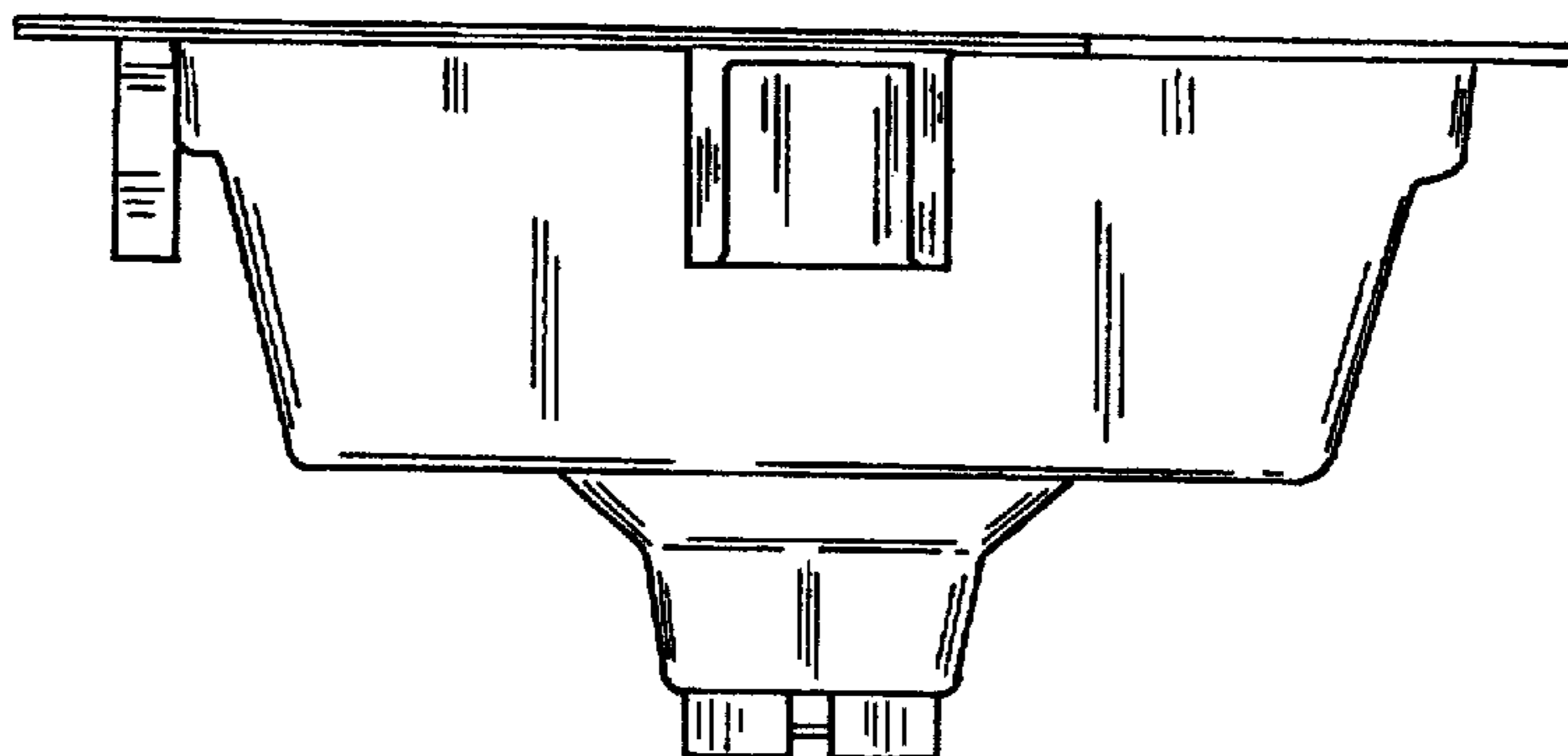


FIG. 6

FIG. 7

