



US00D423283S

United States Patent [19]
Laib

[11] **Patent Number: Des. 423,283**

[45] **Date of Patent: ** Apr. 25, 2000**

[54] **VENT CONTROL PANEL FOR A PRODUCE STORAGE CONTAINER**

[75] Inventor: **Douglas M. Laib**, Orlando, Fla.

[73] Assignee: **Dart Industries Inc.**, Orlando, Fla.

[**] Term: **14 Years**

[21] Appl. No.: **29/101,494**

[22] Filed: **Mar. 5, 1999**

Related U.S. Application Data

[62] Division of application No. 29/098,469, Dec. 30, 1998.

[51] **LOC (6) Cl.** **07-99**

[52] **U.S. Cl.** **D7/396.1; D7/387**

[58] **Field of Search** D7/387, 396.1, D7/397, 601, 602, 543, 545, 554.3, 360, 548; D3/304, 307, 318; 220/574, 361, 676; D9/424

[56] **References Cited**

U.S. PATENT DOCUMENTS

D. 152,042	12/1948	Sunberg et al.	D7/360
D. 169,576	5/1953	Budlane et al.	D7/360
D. 280,064	8/1985	Obata et al.	D7/360
D. 376,067	12/1996	Littmann	D7/360

D. 379,718	6/1997	Raghunathan	D3/307 X
D. 386,647	11/1997	Ho	D7/360
D. 399,705	10/1998	Bovard et al.	D7/601
D. 404,250	1/1999	Midden et al.	D7/397
D. 407,601	4/1999	Midden et al.	D7/397
1,216,031	2/1917	Wilcox	220/361 X
1,407,688	2/1922	Banton	220/676
5,388,717	2/1995	LeVasseur	220/676 X

Primary Examiner—M. N. Pandozzi
Attorney, Agent, or Firm—Taylor Ross

[57] **CLAIM**

The ornamental design for vent control panel for a produce storage container, as shown and described.

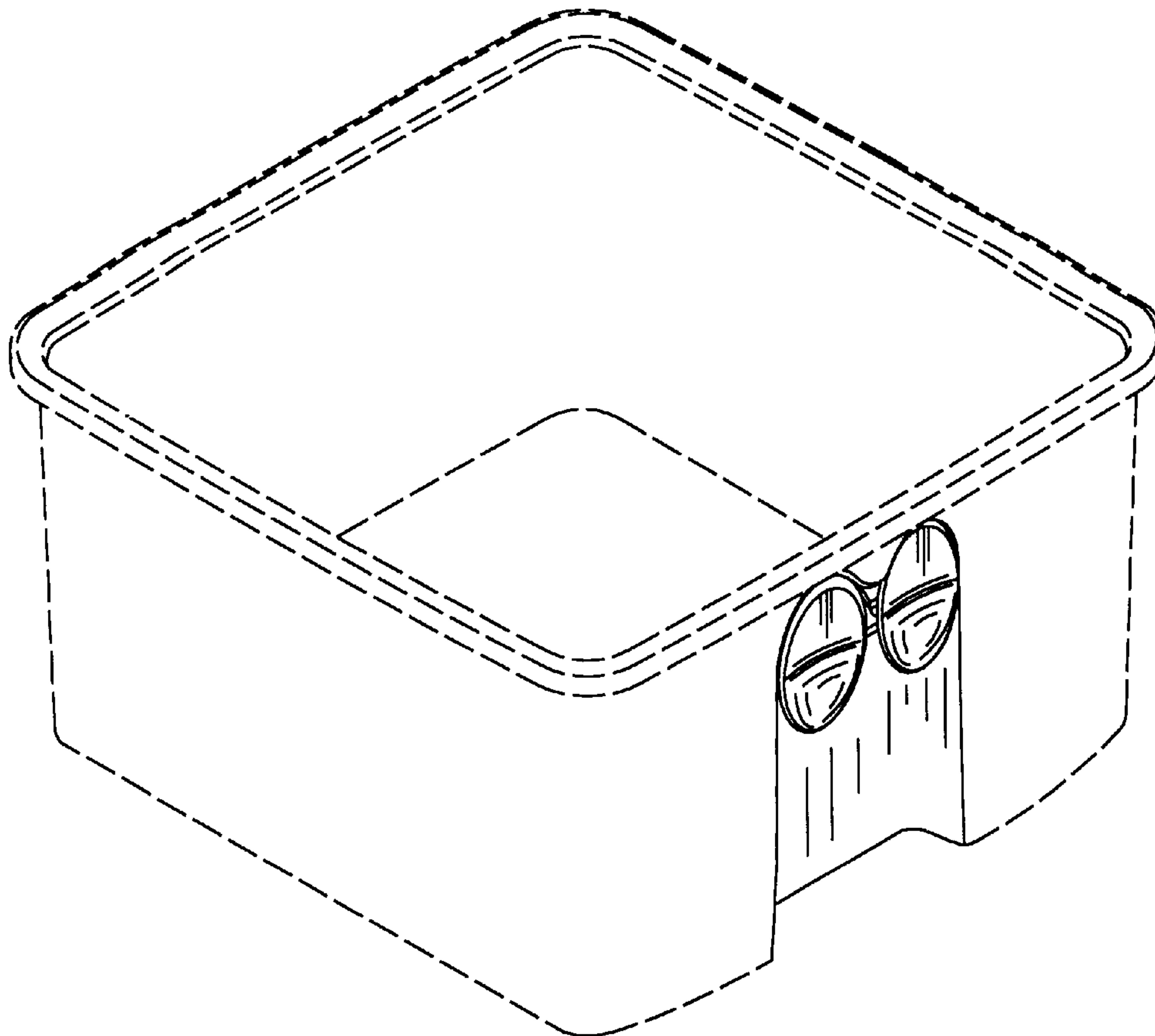
DESCRIPTION

FIG. 1 is a top, side and front perspective view of vent control panel for a produce storage container showing the new design;

FIG. 2 is a front elevation view thereof, the ornamental features of the vent controls not being visible from the rear; FIG. 3 is a left side elevation view thereof, the right side elevation being a mirror thereof; and, FIG. 4 is a bottom plan view thereof.

The broken line showing the container periphery is of illustrative purposes only, and forms no part of the claimed design.

1 Claim, 2 Drawing Sheets



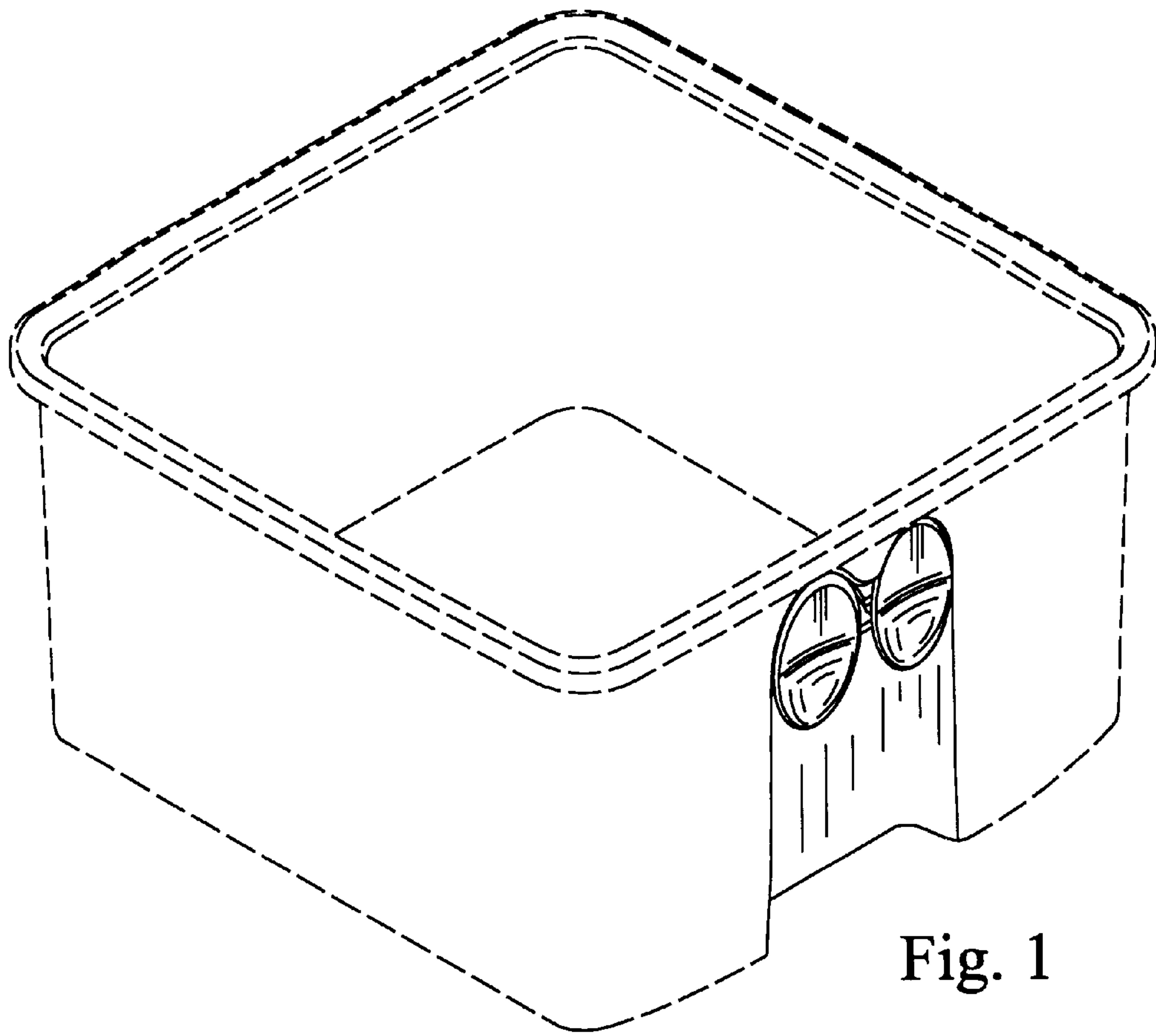


Fig. 1

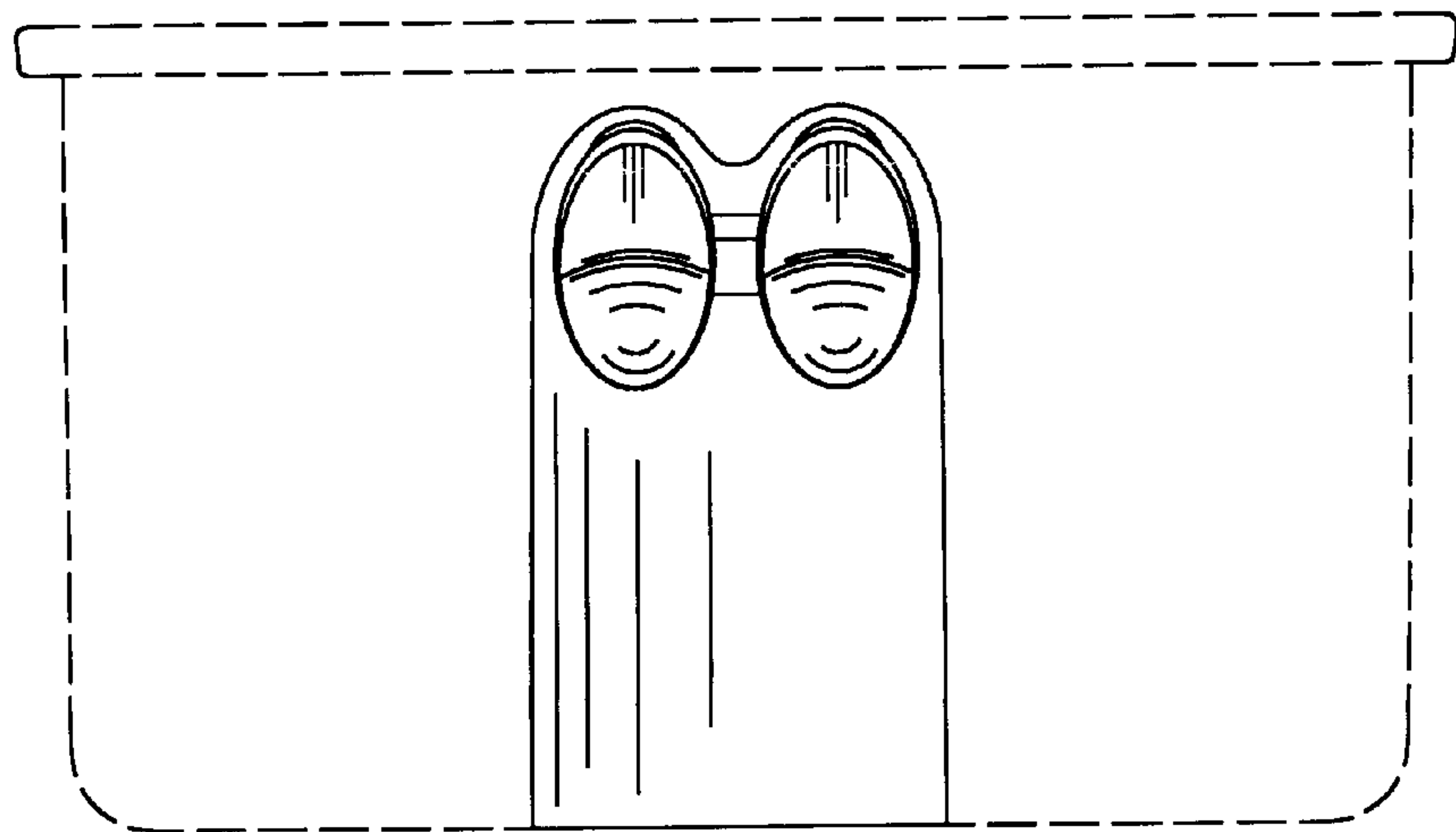


Fig. 2



Fig. 3

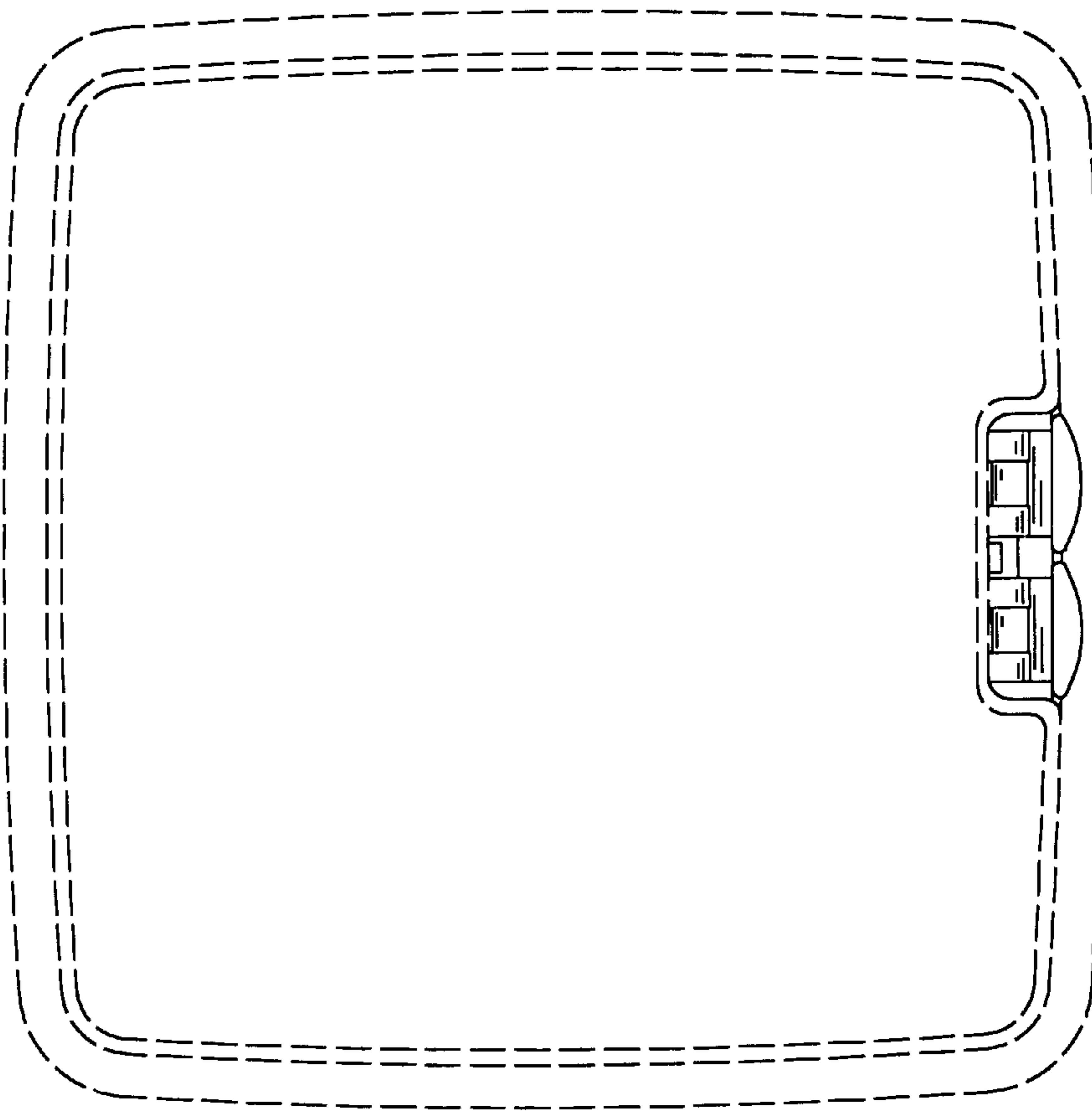


Fig. 4