



US00D423281S

**United States Patent** [19]  
**Mosionzhnik**

[11] **Patent Number: Des. 423,281**  
[45] **Date of Patent: \*\* Apr. 25, 2000**

- [54] **COVER FOR A COOKING APPLIANCE WITH WINDOW**
- [75] Inventor: **Ilya Mosionzhnik**, Greak Neck, N.Y.
- [73] Assignee: **Applicance Corporation of America**, Great Neck, N.Y.
- [\*\*] Term: **14 Years**
- [21] Appl. No.: **29/098,796**
- [22] Filed: **Jan. 6, 1999**
- [51] **LOC (6) Cl.** ..... **07-02**
- [52] **U.S. Cl.** ..... **D7/391**
- [58] **Field of Search** ..... D7/323, 354-361, D7/391, 392.1; 99/324, 325, 339, 341, 347

- D. 151,384 10/1948 Moffat ..... D7/360
- D. 250,505 12/1978 Seager ..... D7/392.1
- 2,571,111 10/1951 Clark ..... 99/347

*Primary Examiner*—Caron D. Veynar  
*Attorney, Agent, or Firm*—Herbert Dubno

[57] **CLAIM**

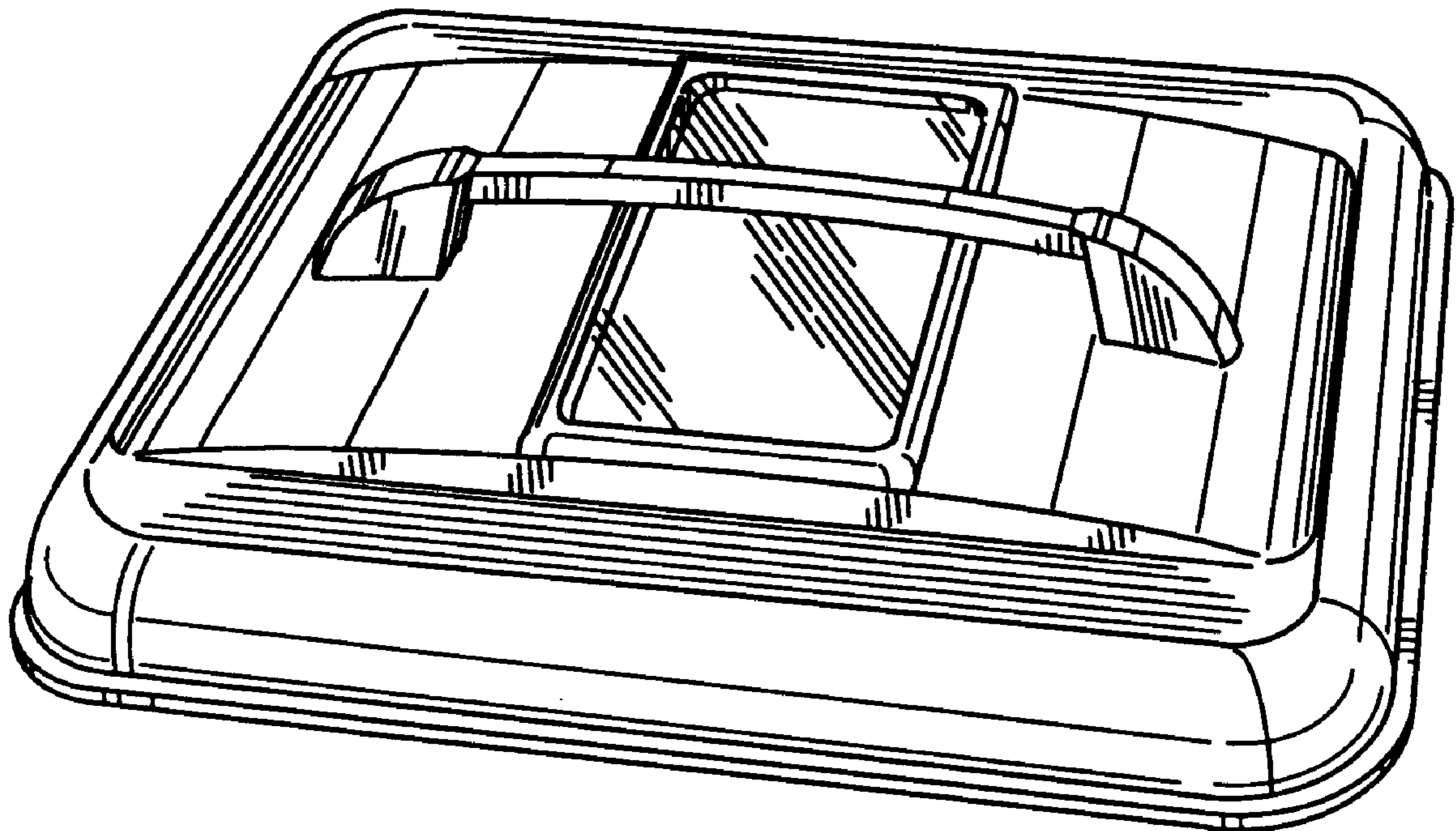
The ornamental design for a cover for a cooking appliance with window, as shown and described.

**DESCRIPTION**

FIG. 1 is a front, top, right-side perspective view of a cover for a cooking appliance with window showing my new design;  
FIG. 2 is a top plan view thereof;  
FIG. 3 is a left side elevational view thereof, the right side elevational view being identical;  
FIG. 4 is a front view thereof, the rear view being identical;  
FIG. 5 is a bottom perspective view thereof; and,  
FIG. 6 is a bottom plan view thereof.

- [56] **References Cited**
- U.S. PATENT DOCUMENTS
- D. 121,575 7/1940 Russell ..... D7/391

**1 Claim, 4 Drawing Sheets**



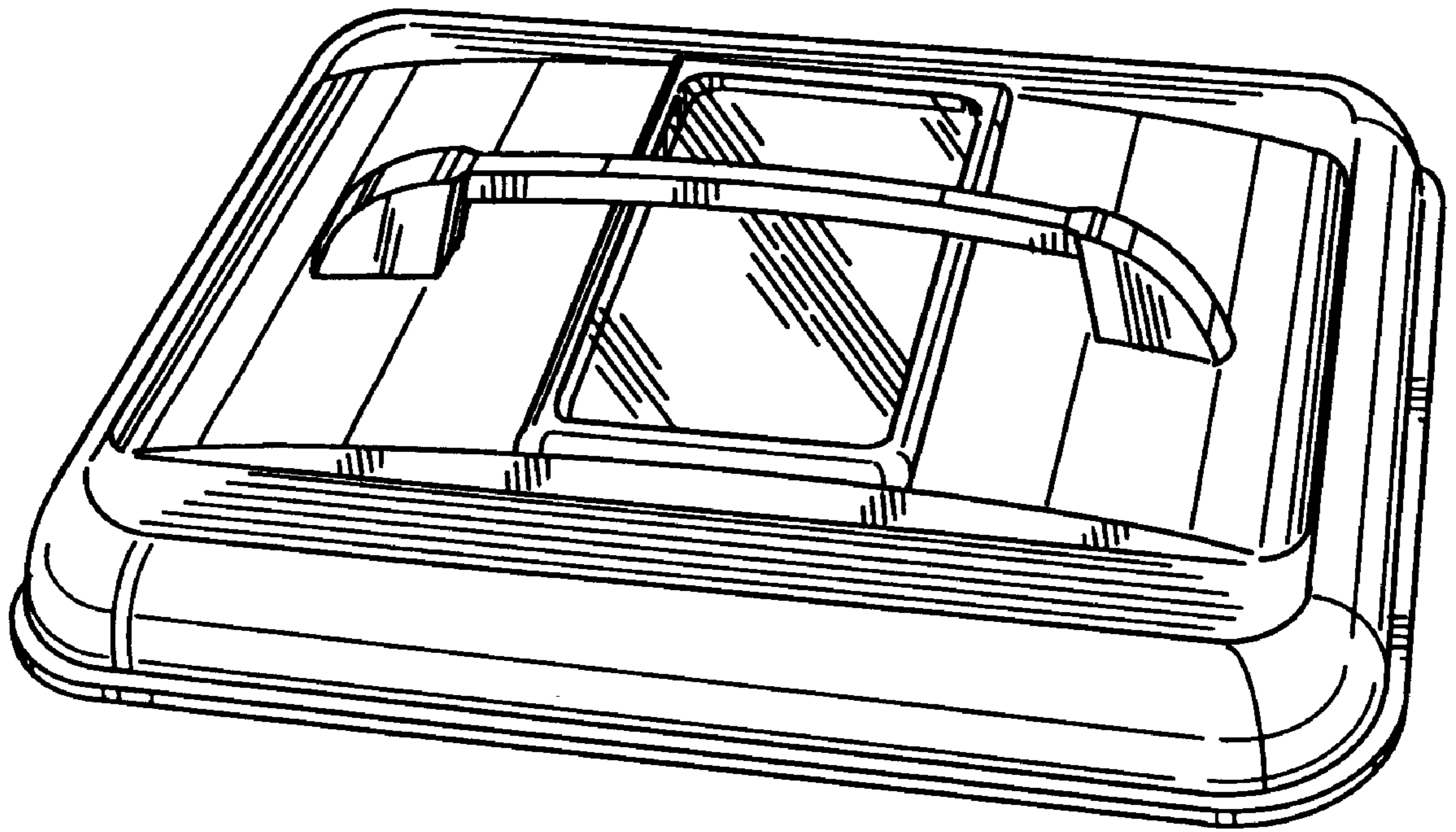


FIG. 1

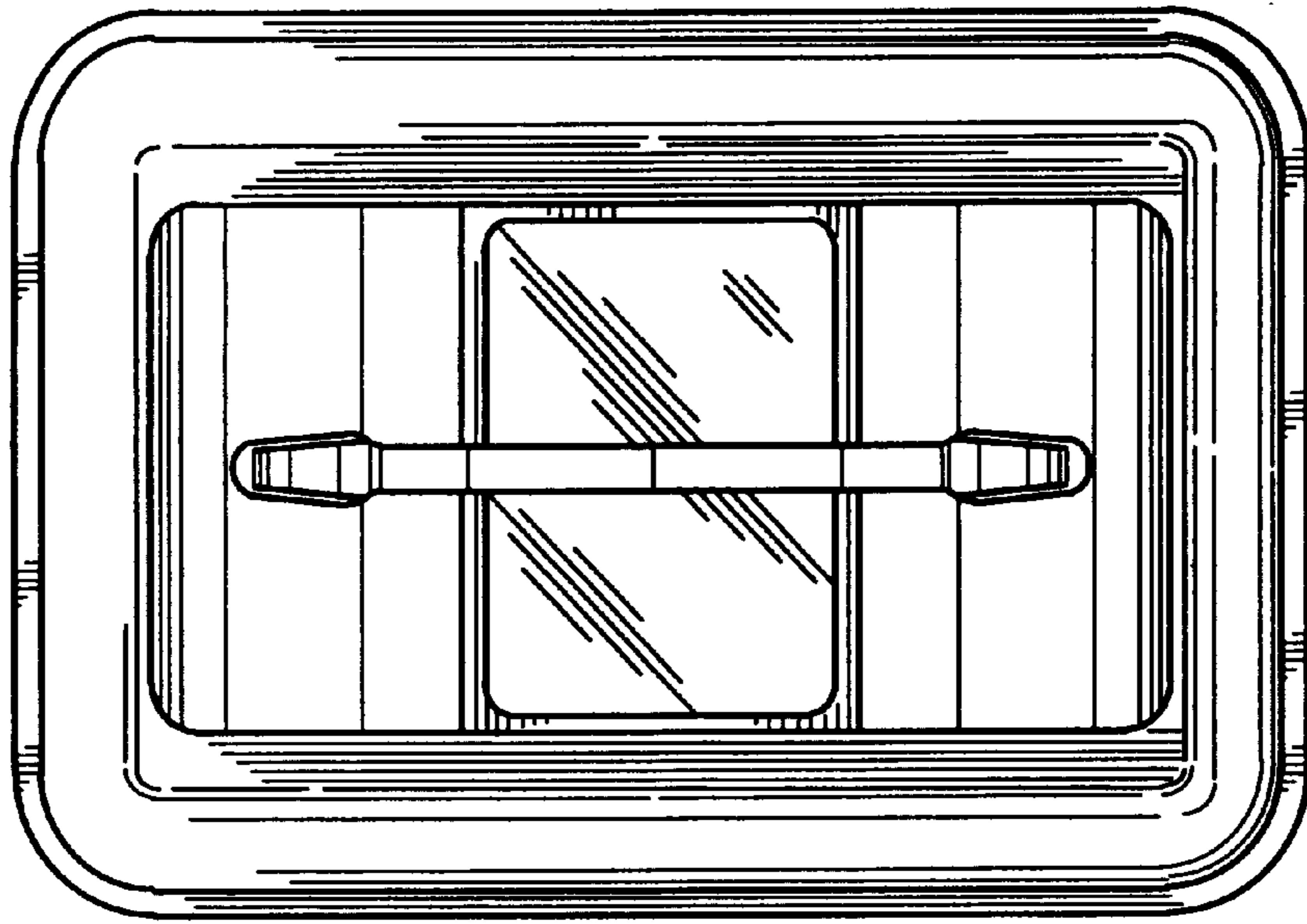


FIG. 2

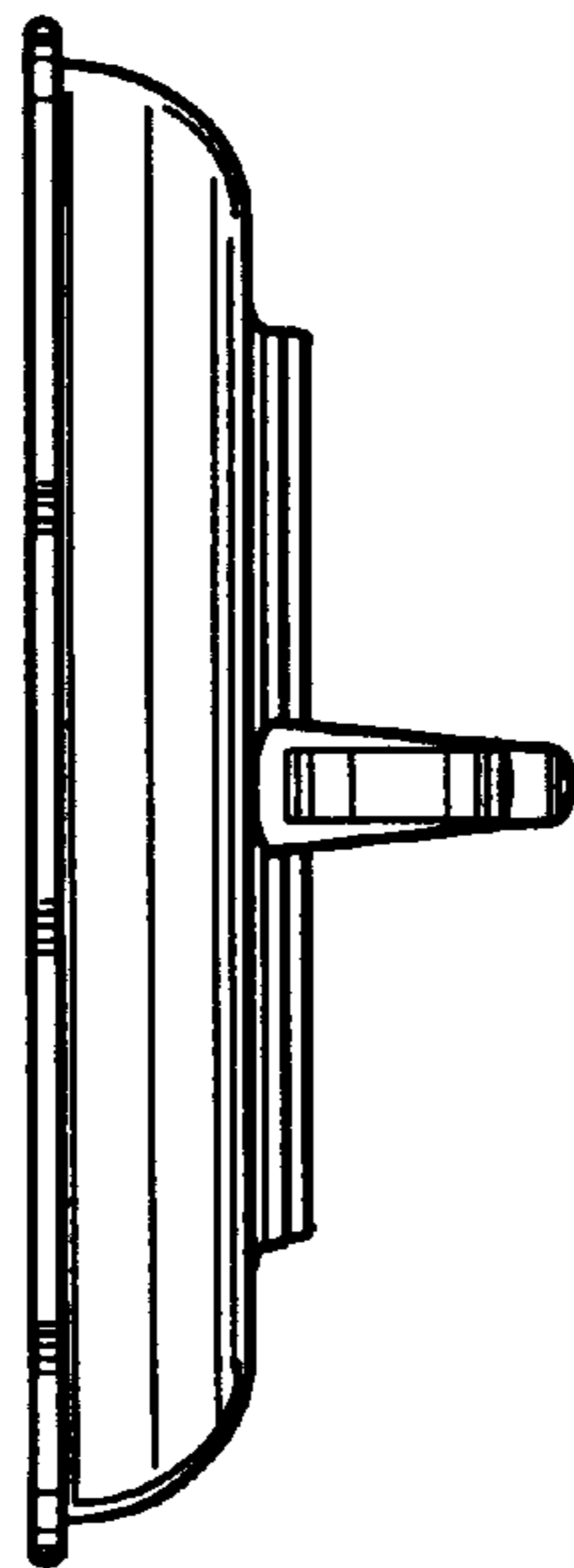


FIG. 3

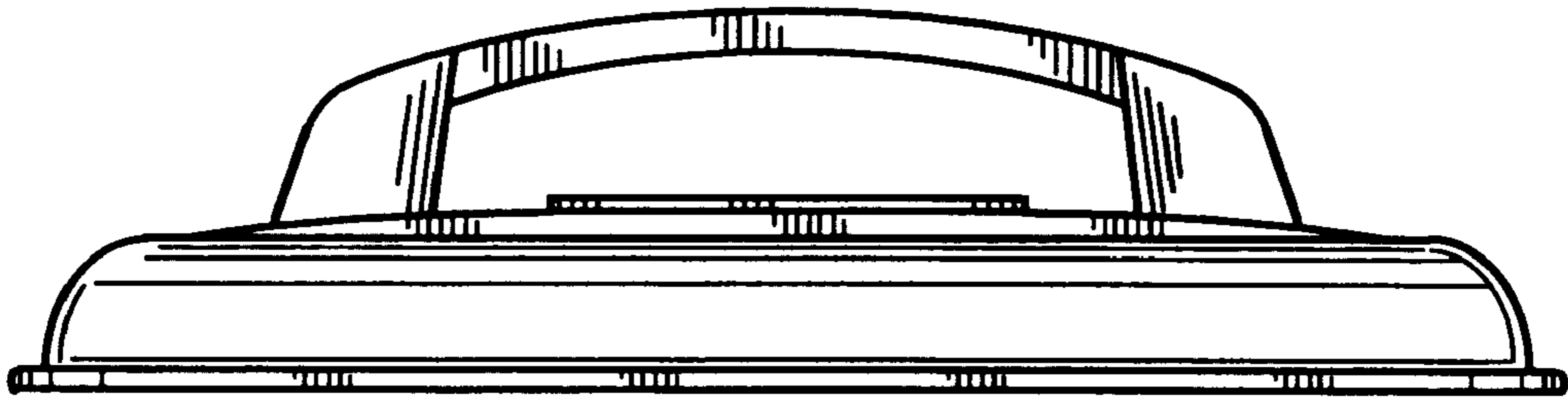


FIG. 4

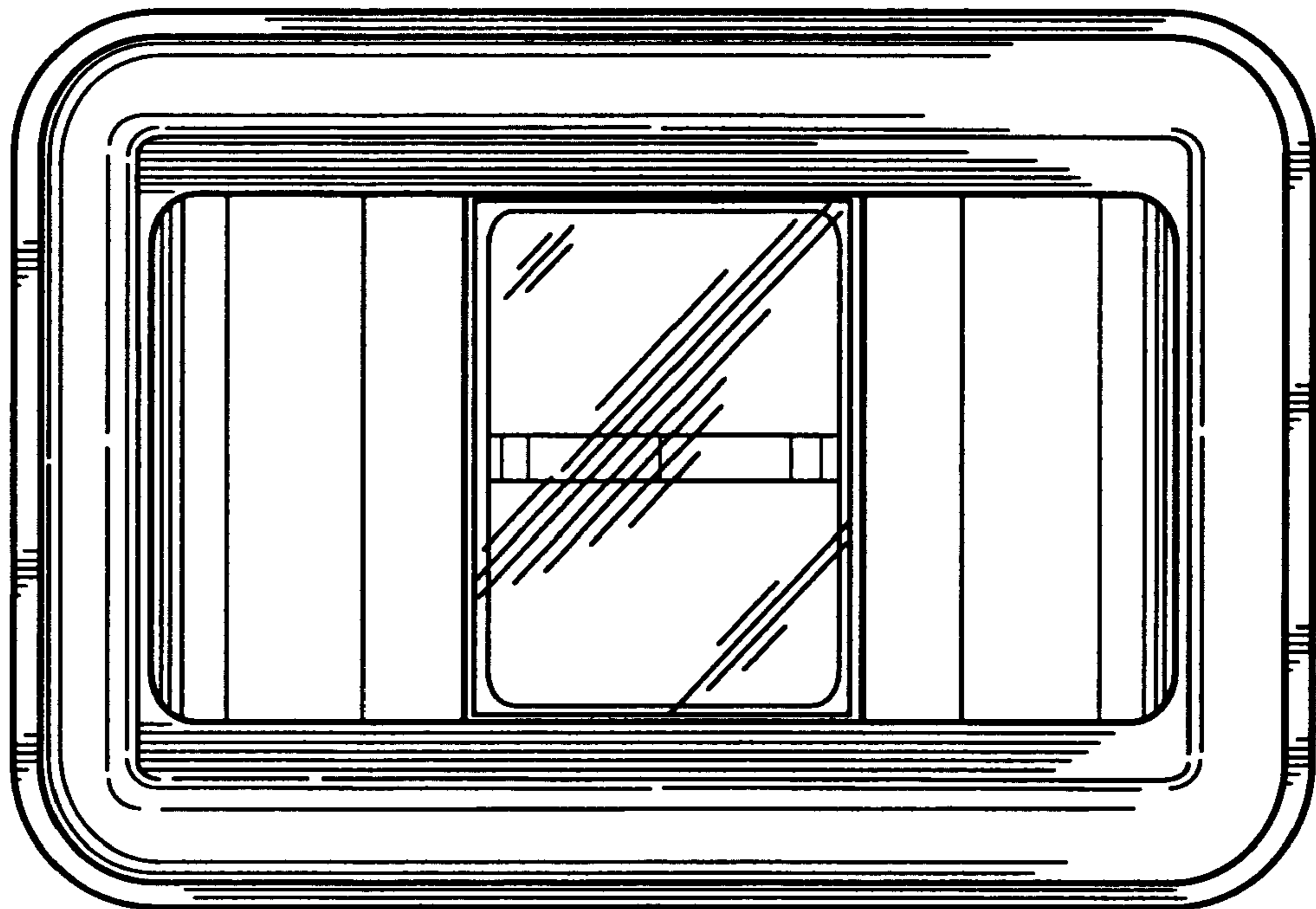


FIG. 6

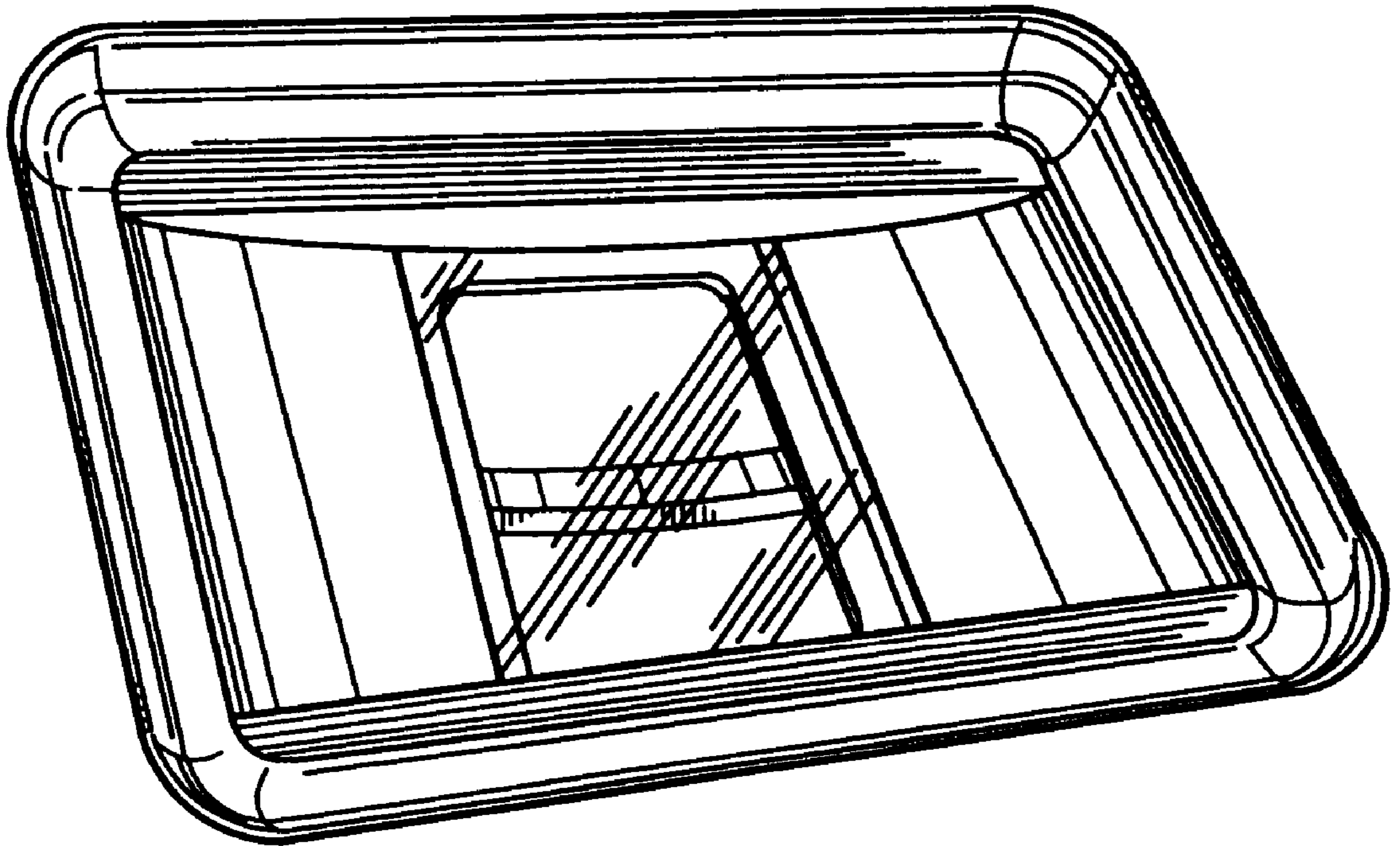


FIG. 5