



US00D423280S

United States Patent [19] Lin

[11] Patent Number: **Des. 423,280**

[45] Date of Patent: **** Apr. 25, 2000**

[54] **GRILL**

[76] Inventor: **Yu-Yuan Lin**, No. 72-1, Shin-Lo Rd.,
Tainan City, Taiwan

[**] Term: **14 Years**

[21] Appl. No.: **29/096,765**

[22] Filed: **Nov. 19, 1998**

[51] **LOC (6) Cl.** **07-02**

[52] **U.S. Cl.** **D7/363; D7/337; D7/350**

[58] **Field of Search** D7/332-338, 402-404,
D7/363, 362, 365; 126/275 R, 275 E, 19 M,
19 R, 21 A, 25 R, 25 A, 25 AA, 29-30,
9 R, 9 A, 9 B, 39 R, 41 R, 40; 219/10.55 R,
10.55 A, 10.55 B, 10.55 C, 403, 401, 386;
99/340-341, 419, 421 R, 421 H, 446, 450,
372

[56] **References Cited**

U.S. PATENT DOCUMENTS

Re. 31,833	2/1985	Loeffler et al.	99/332
D. 226,455	3/1973	Dushek	D7/337
D. 231,892	6/1974	Warshauer	D7/362
D. 243,144	1/1977	Jenn et al.	D7/337
D. 278,505	4/1985	Mackin	D7/337
D. 279,537	7/1985	Taylor et al.	D7/337

D. 323,952	2/1992	Wagner et al.	D7/332
D. 326,792	6/1992	Rodgers et al.	D7/337
D. 371,038	6/1996	Hsu	D7/350
D. 380,339	7/1997	Hsu	D7/350
D. 409,041	5/1999	Barker	D7/362
D. 411,782	7/1999	Husted	D7/402
D. 412,808	8/1999	Hinton et al.	D7/362
4,869,163	9/1989	Haskins	99/482
5,524,528	6/1996	Yeh	99/446
5,536,518	7/1996	Rummel	426/523
5,584,231	12/1996	DeLeon	99/332
5,839,356	11/1998	Dornbush et al.	99/331

Primary Examiner—Ruth McInroy

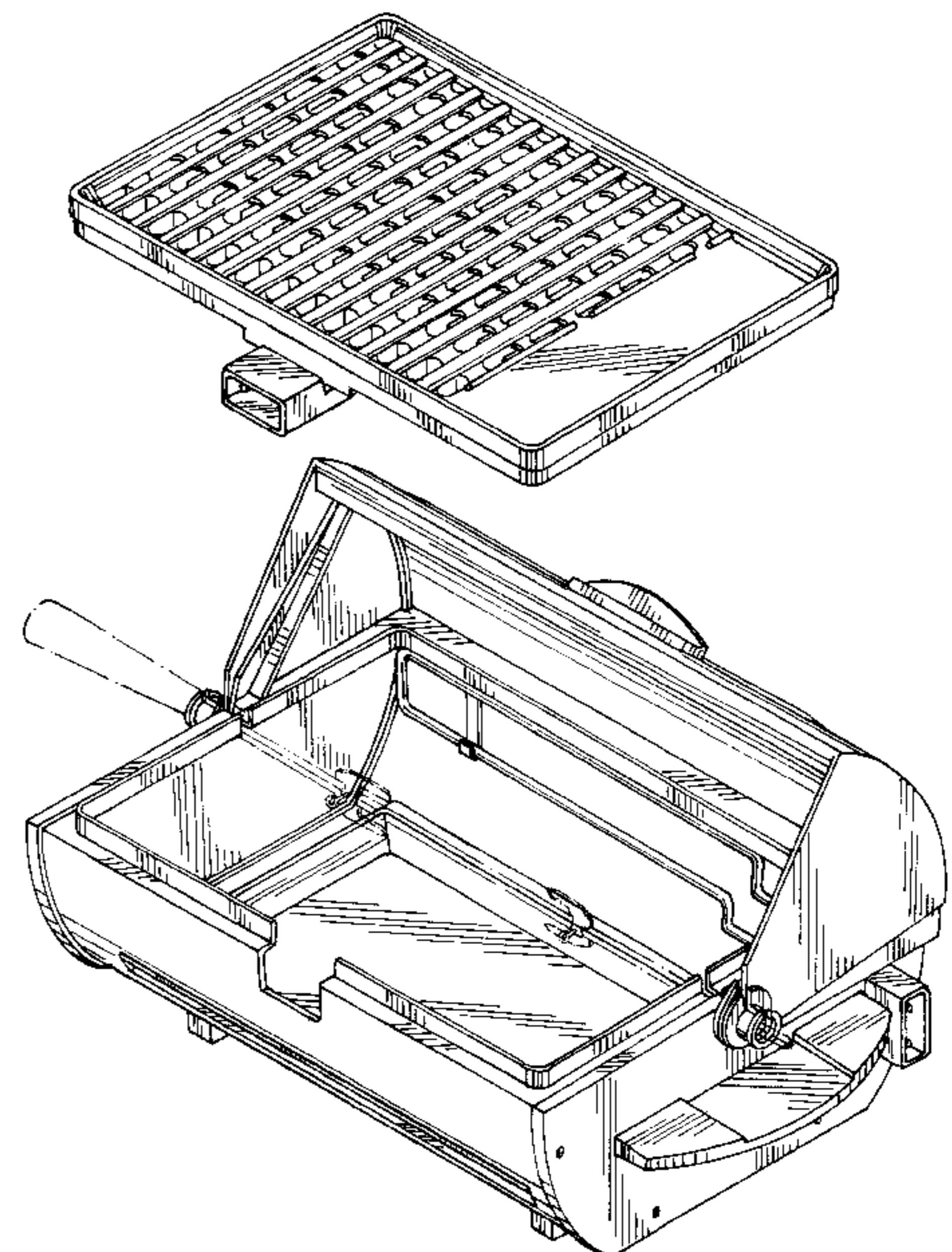
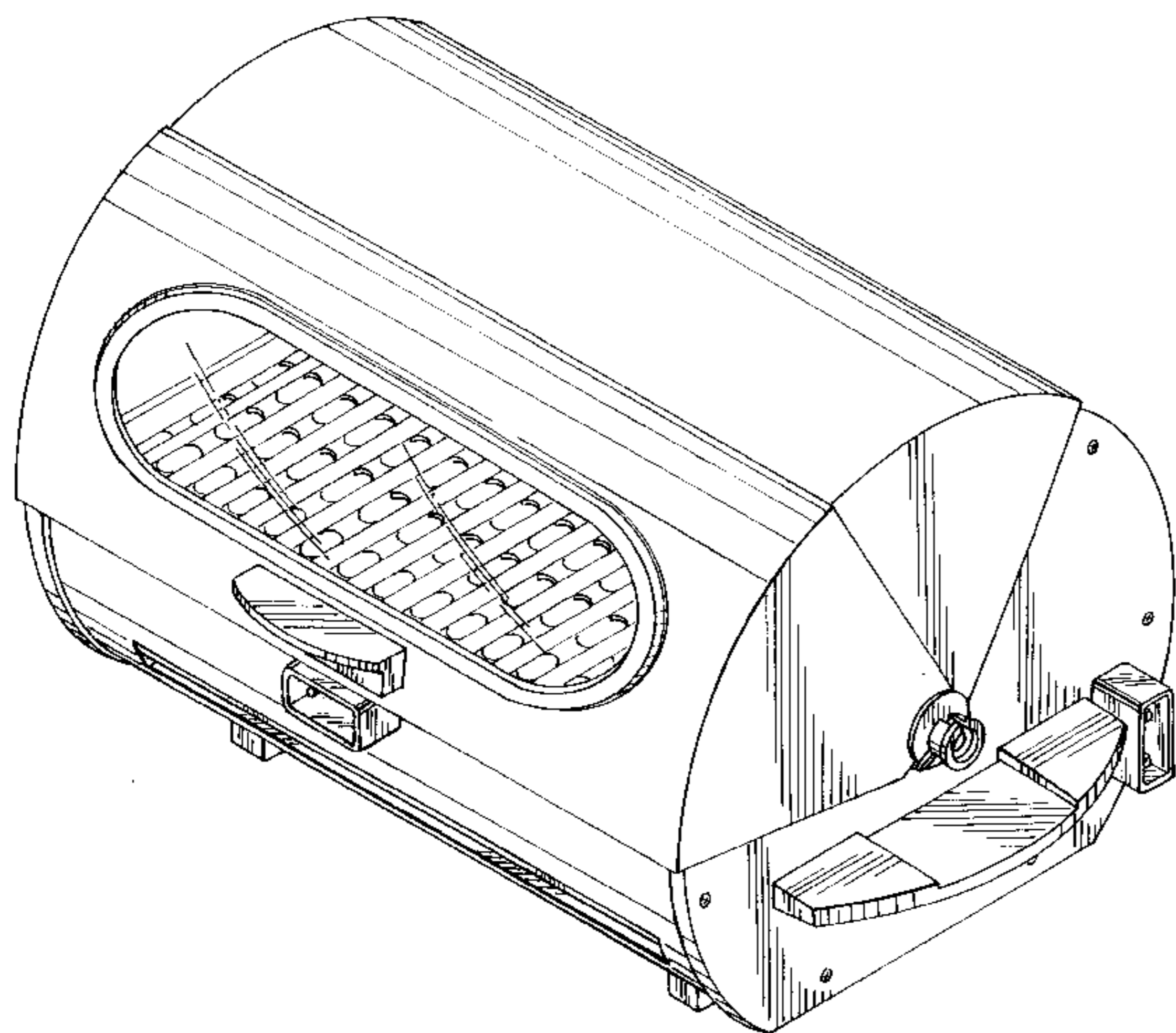
[57] **CLAIM**

The ornamental design for grill, as shown and described.

DESCRIPTION

FIG. 1 is a perspective view of grill showing my new design;
 FIG. 2 is a front elevational view thereof;
 FIG. 3 is a rear elevational view thereof;
 FIG. 4 is a left side elevational view thereof;
 FIG. 5 is a right side elevational view thereof;
 FIG. 6 is a top plan view thereof;
 FIG. 7 is a bottom plan view thereof;
 FIG. 8 is a perspective view thereof when in use; and,
 FIG. 9 is an exploded perspective view thereof.

1 Claim, 6 Drawing Sheets



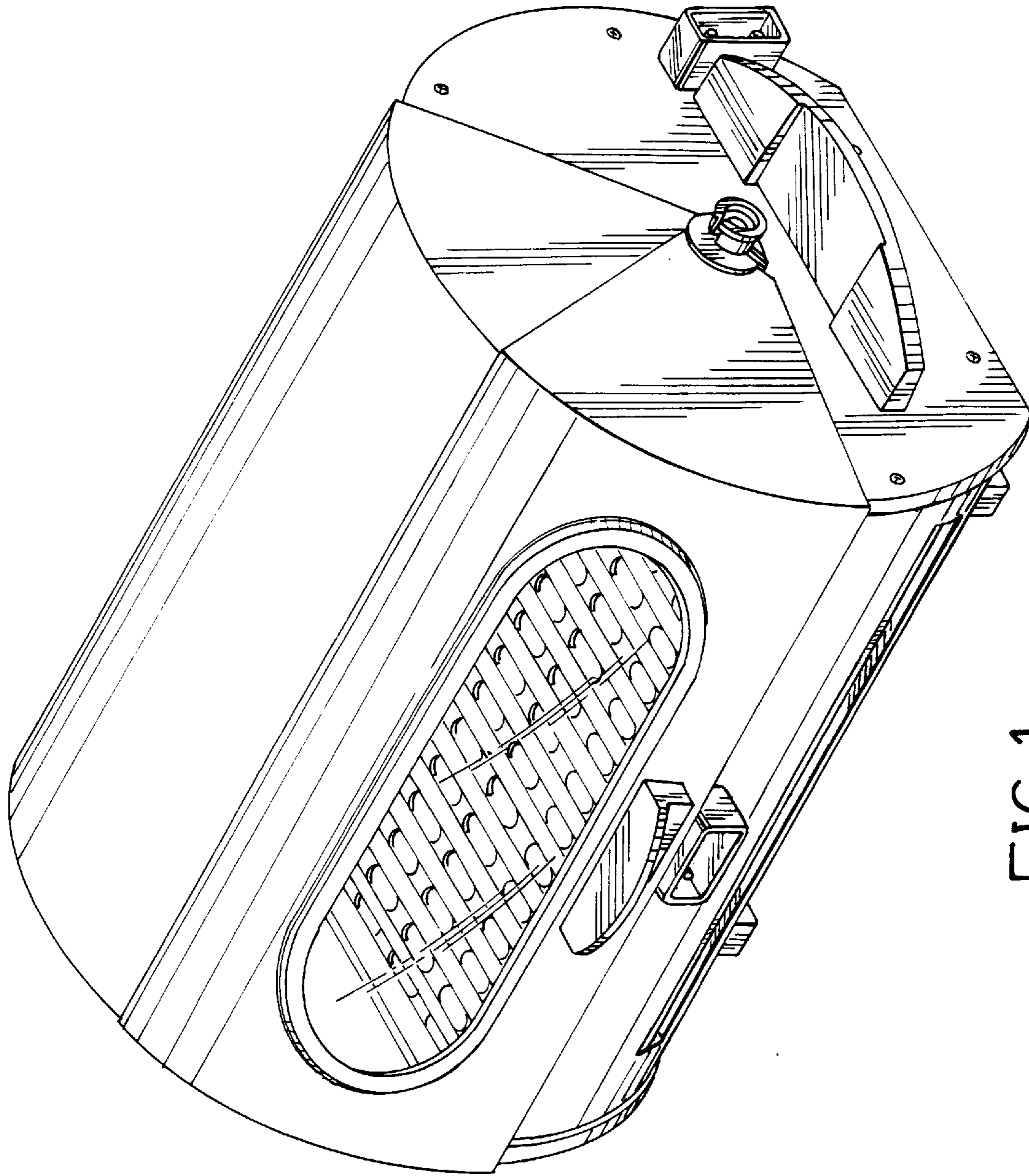


FIG. 1

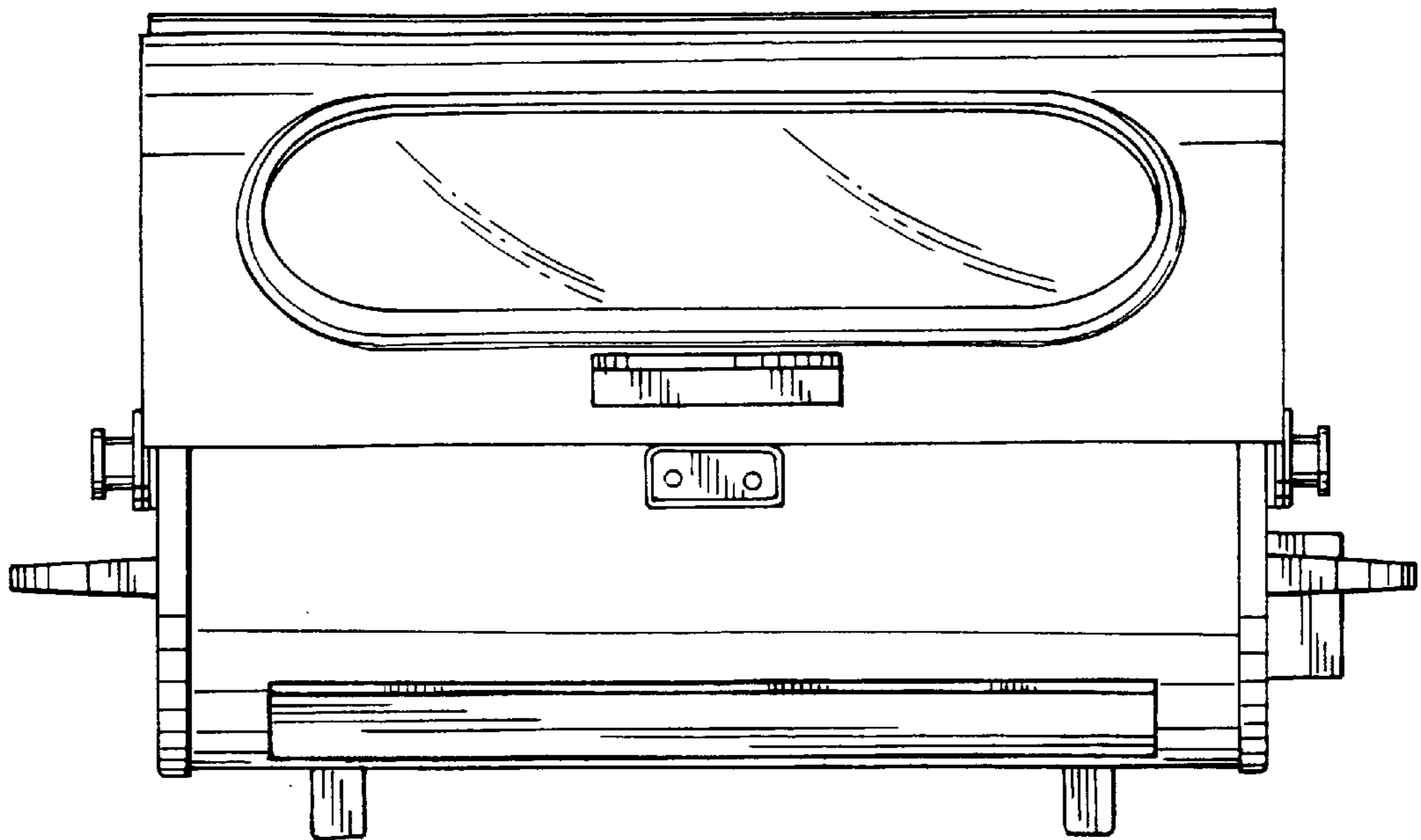


FIG. 2

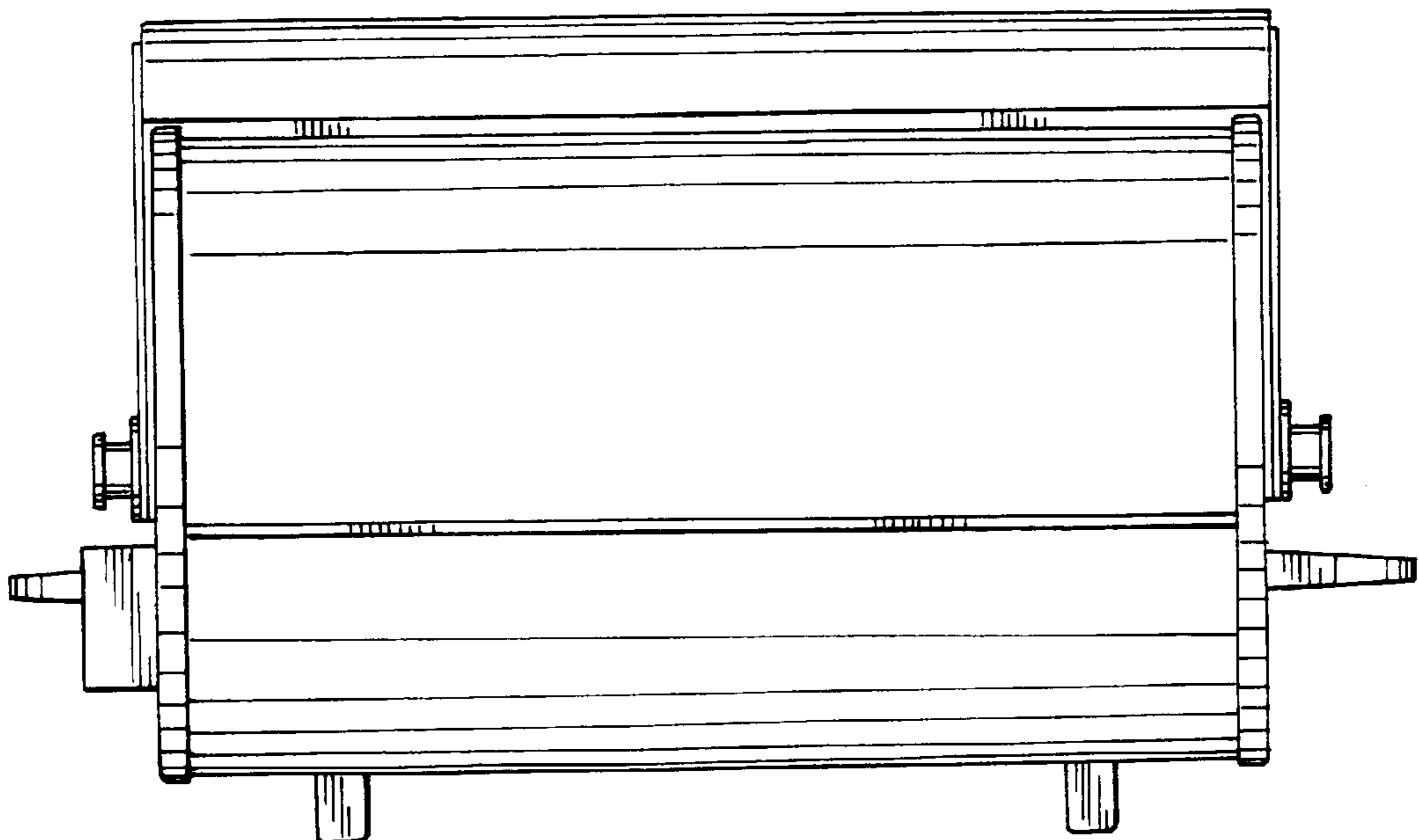


FIG. 3

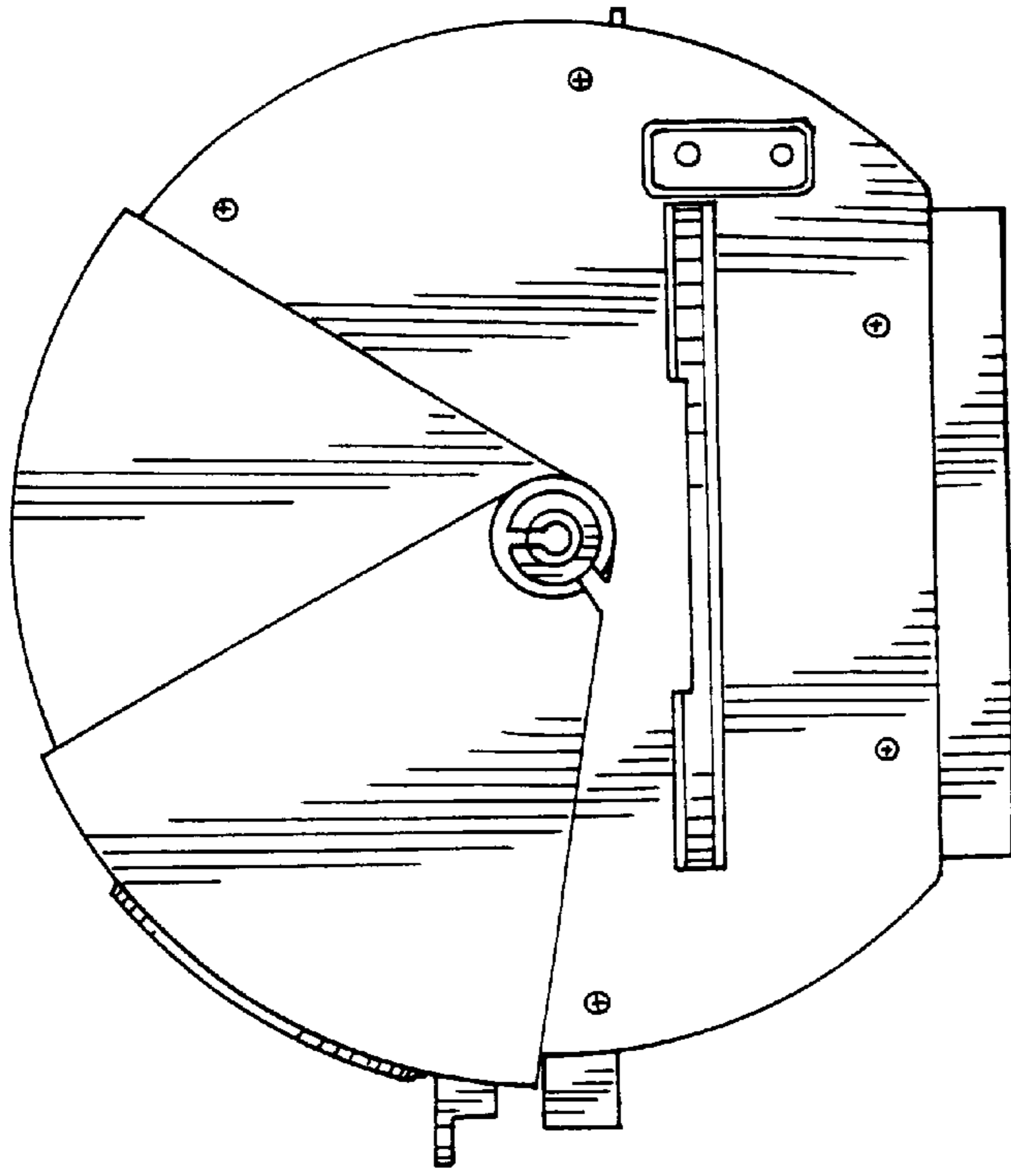


FIG. 5

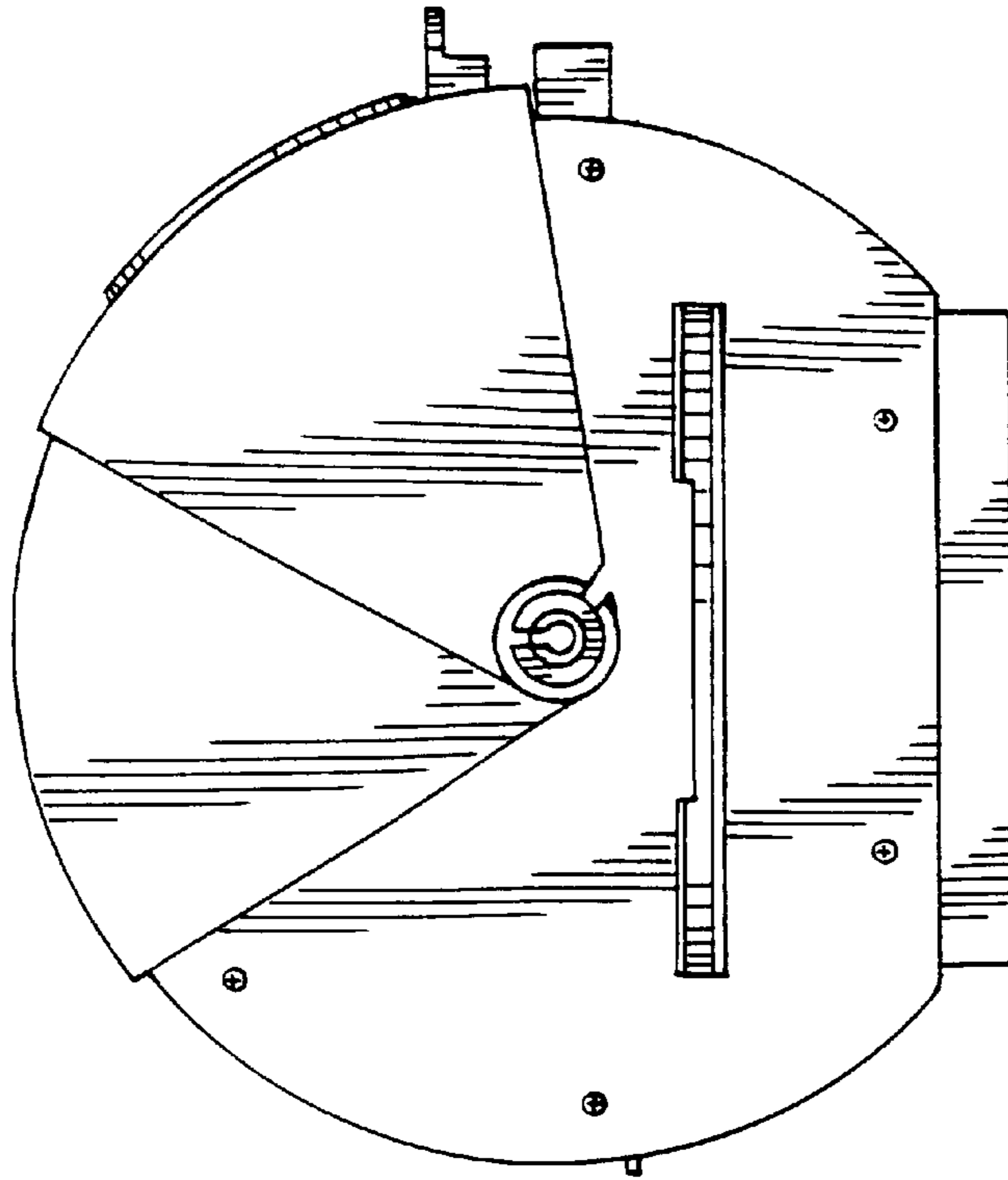


FIG. 4

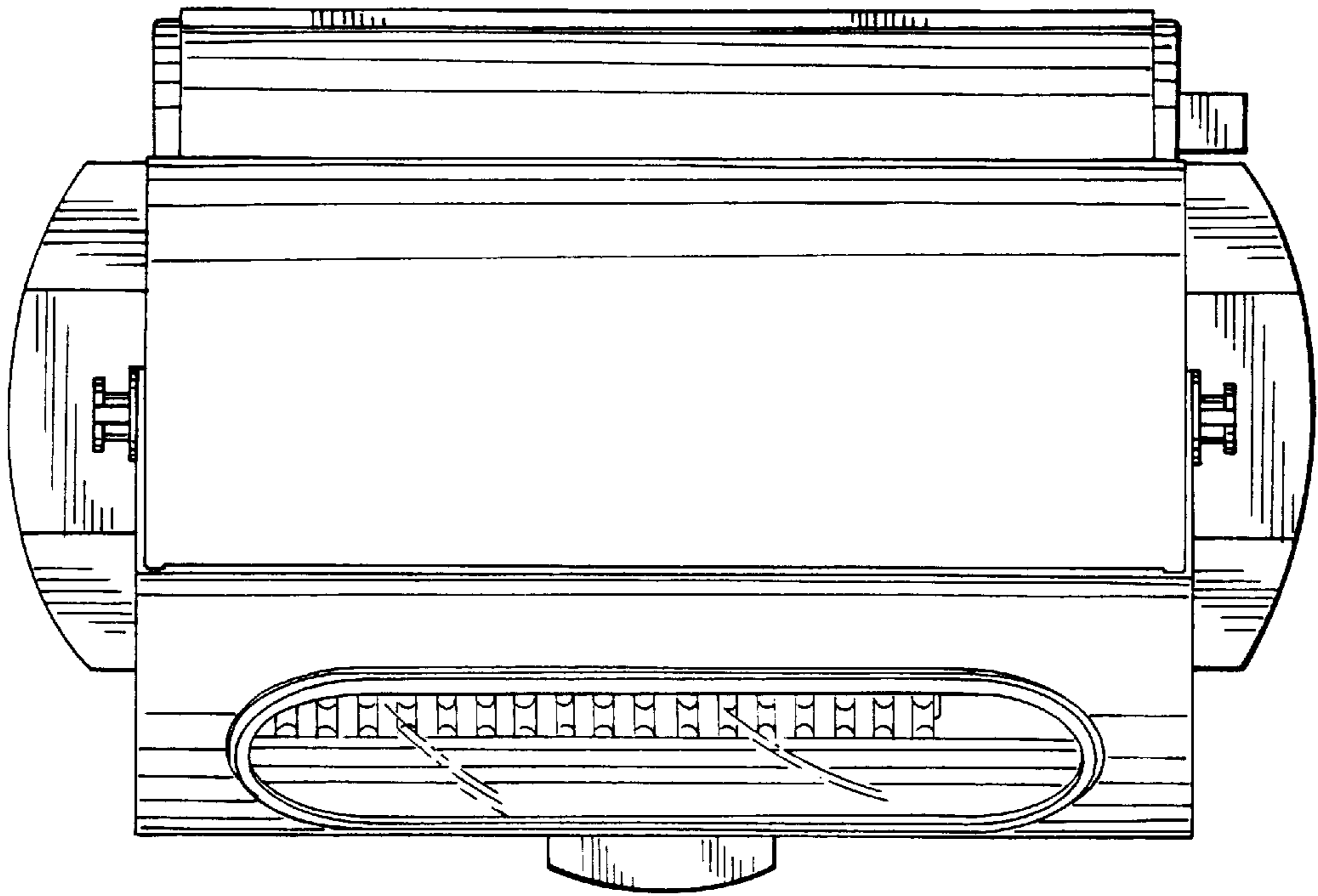


FIG. 6

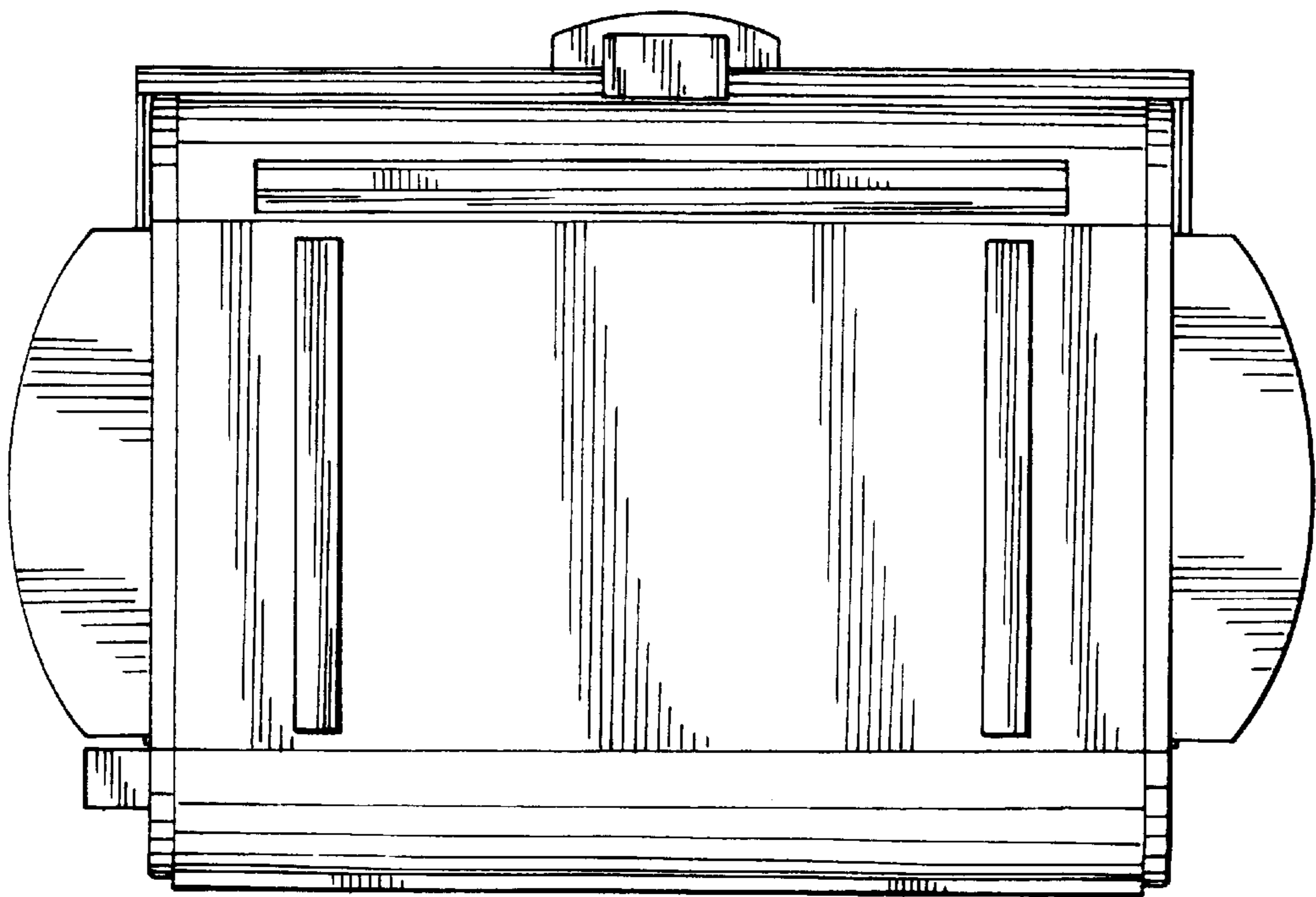


FIG. 7

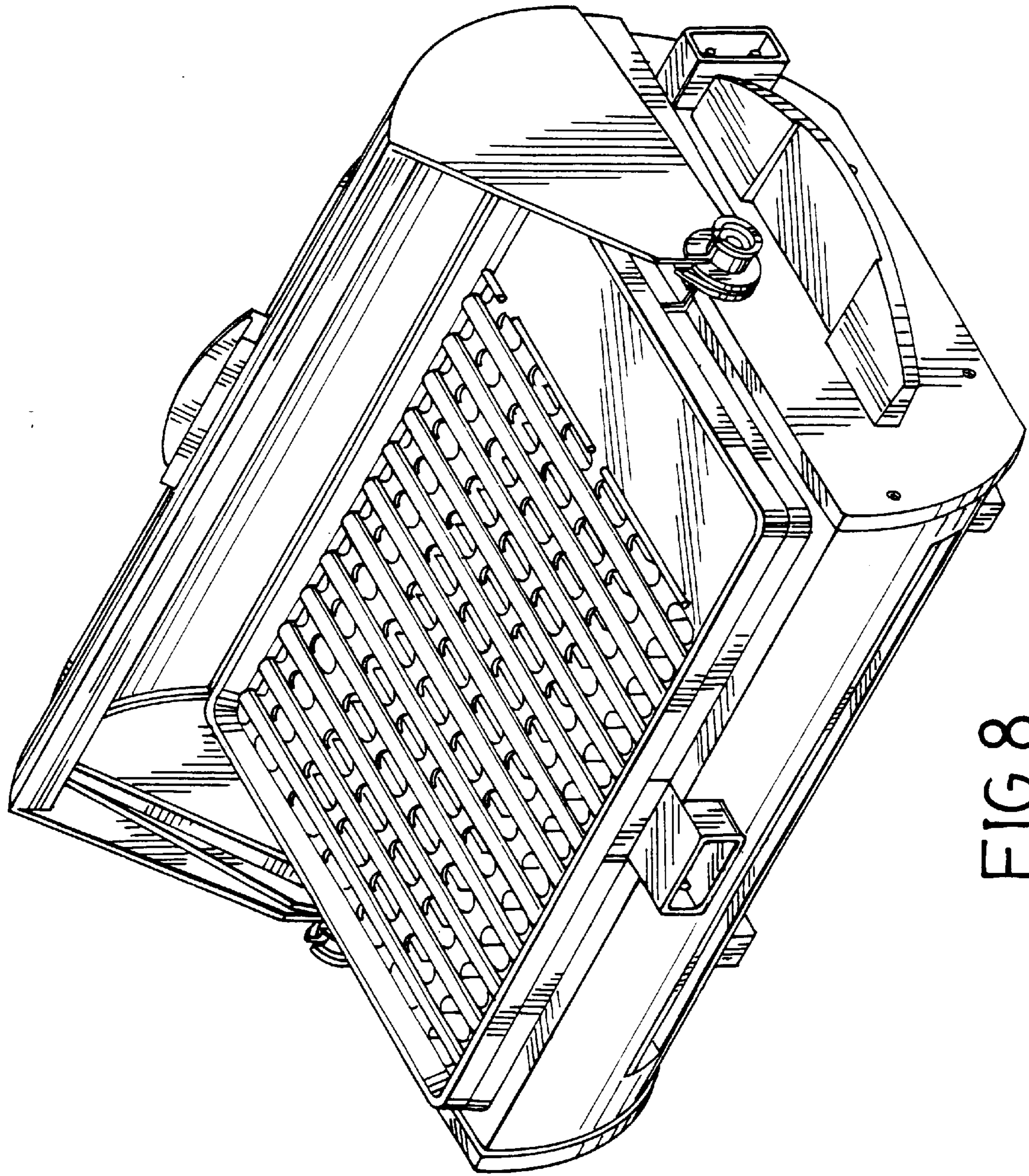


FIG. 8

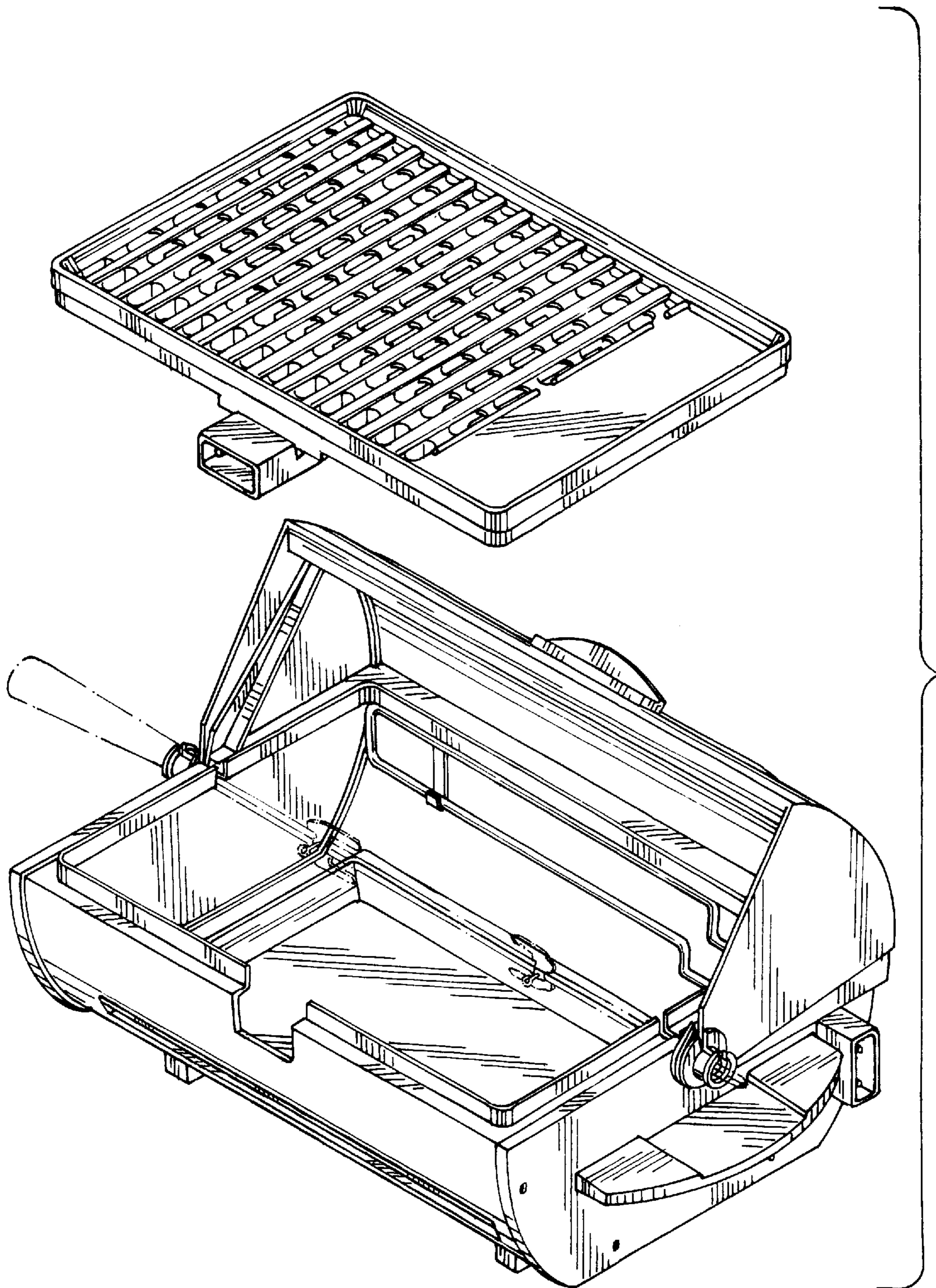


FIG. 9