



US00D423278S

United States Patent [19]
Briner

[11] **Patent Number: Des. 423,278**

[45] **Date of Patent: ** Apr. 25, 2000**

[54] **CHAFING DISH (ROUND)**

D. 401,806 12/1998 Benz D7/355
5,597,500 1/1997 Hasenfratz et al. 219/385

[75] Inventor: **Urs Briner**, Wetzikon, Switzerland

OTHER PUBLICATIONS

[73] Assignee: **Spring AG Metallwarenfabrik Eschlikon**, Eschlikon, Switzerland

Record sheet for abandoned Chafing Dish application based on Swiss App. No. 124.165 Nov. 11, 1997.

[**] Term: **14 Years**

Primary Examiner—Caron D. Veynar
Attorney, Agent, or Firm—Lawrence E. Apolzon, Esq.;
Fross Zelnick Lehrman & Zissu, P.C.

[21] Appl. No.: **29/105,245**

[22] Filed: **May 20, 1999**

[57] **CLAIM**

[51] **LOC (6) Cl.** **07-02**

The ornamental design for a chafing dish (round), as shown and described.

[52] **U.S. Cl.** **D7/355**

[58] **Field of Search** D7/354-361, 366;
219/385, 386, 620, 621, 622, 429, 438,
520; 99/324; 220/573.1, 252

DESCRIPTION

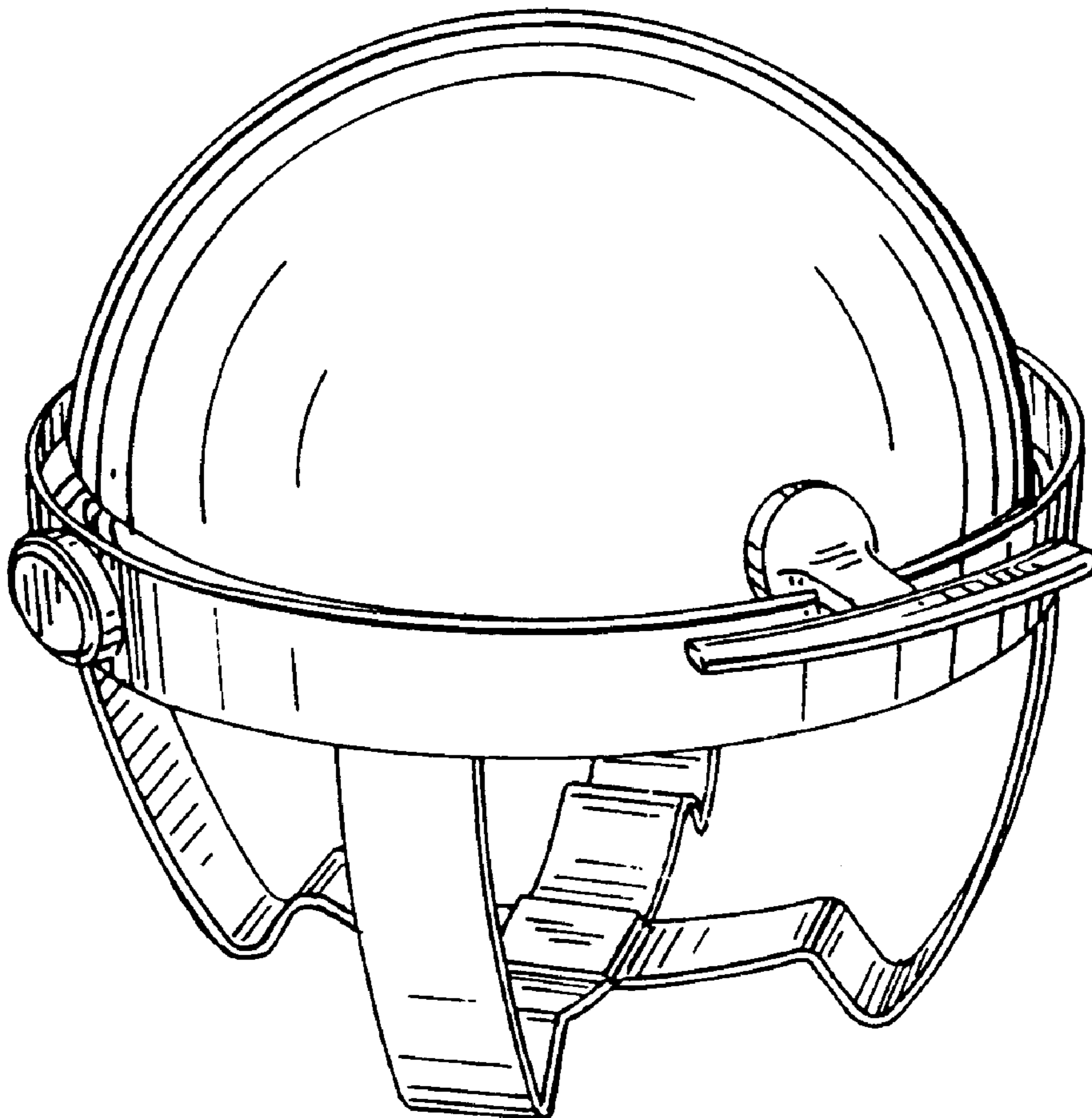
[56] **References Cited**

FIG. 1 is a side view;
FIG. 2 is a front perspective view;
FIG. 3 is a side view with top open;
FIG. 4 is a side view with top partially open;
FIG. 5 is a top view;
FIG. 6 is the other side view; and,
FIG. 7 is a bottom view.

U.S. PATENT DOCUMENTS

D. 365,724	1/1996	Yu	D7/355
D. 369,506	5/1996	Tinius	D7/355
D. 369,507	5/1996	Tinius	D7/355
D. 401,804	12/1998	Tinius	D7/355
D. 401,805	12/1998	Benz	D7/355

1 Claim, 3 Drawing Sheets



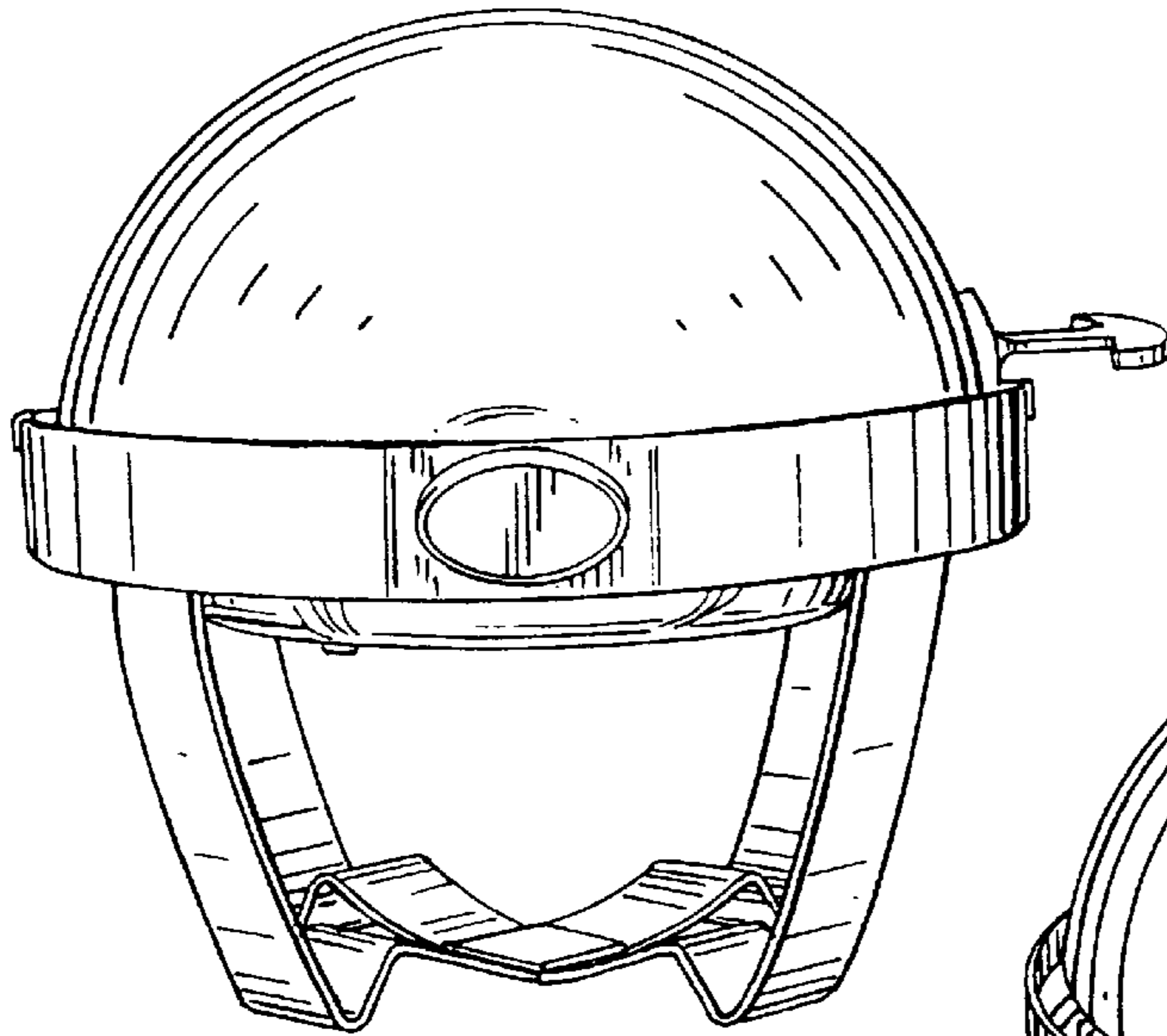


FIG. 1

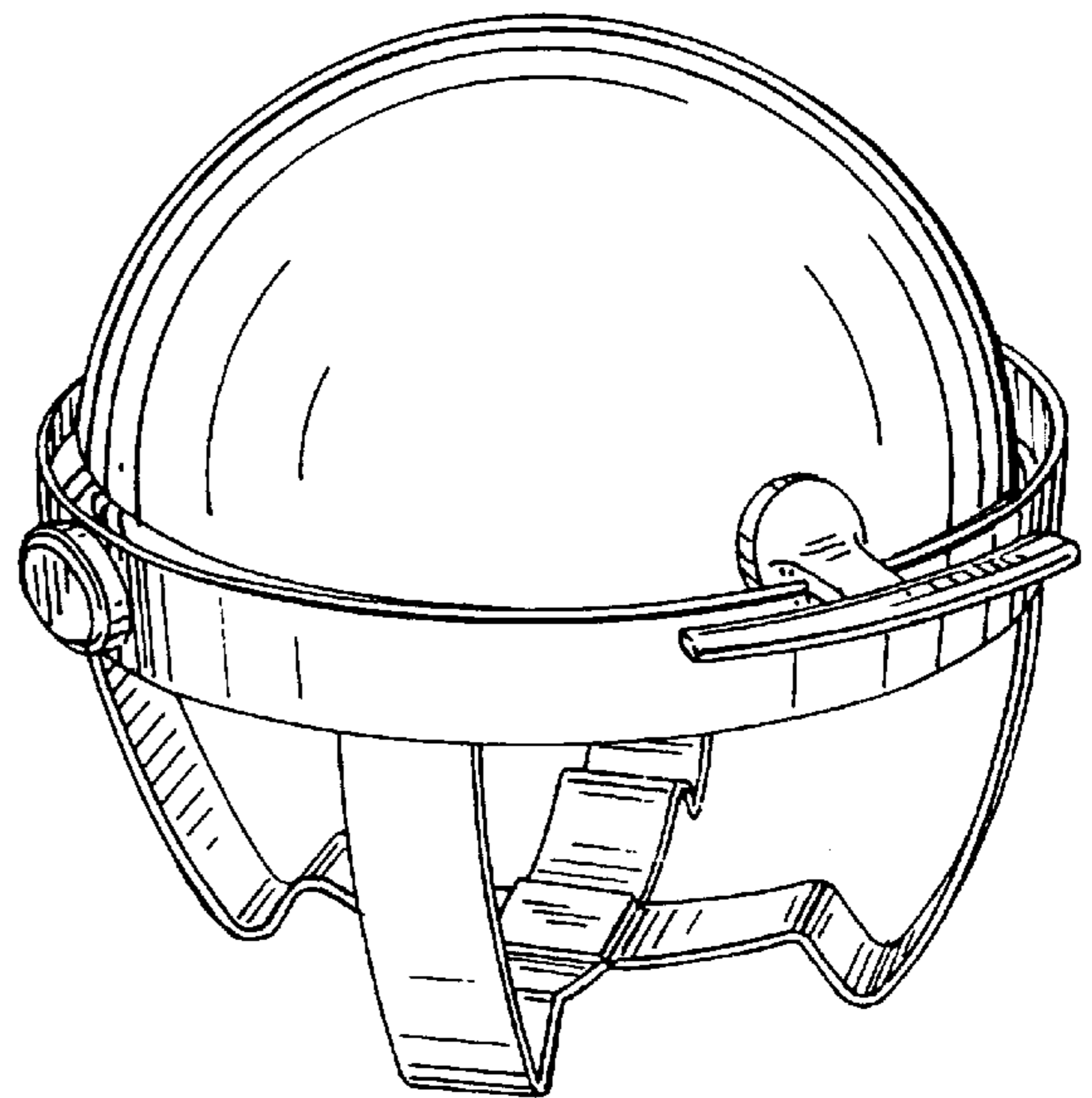


FIG. 2

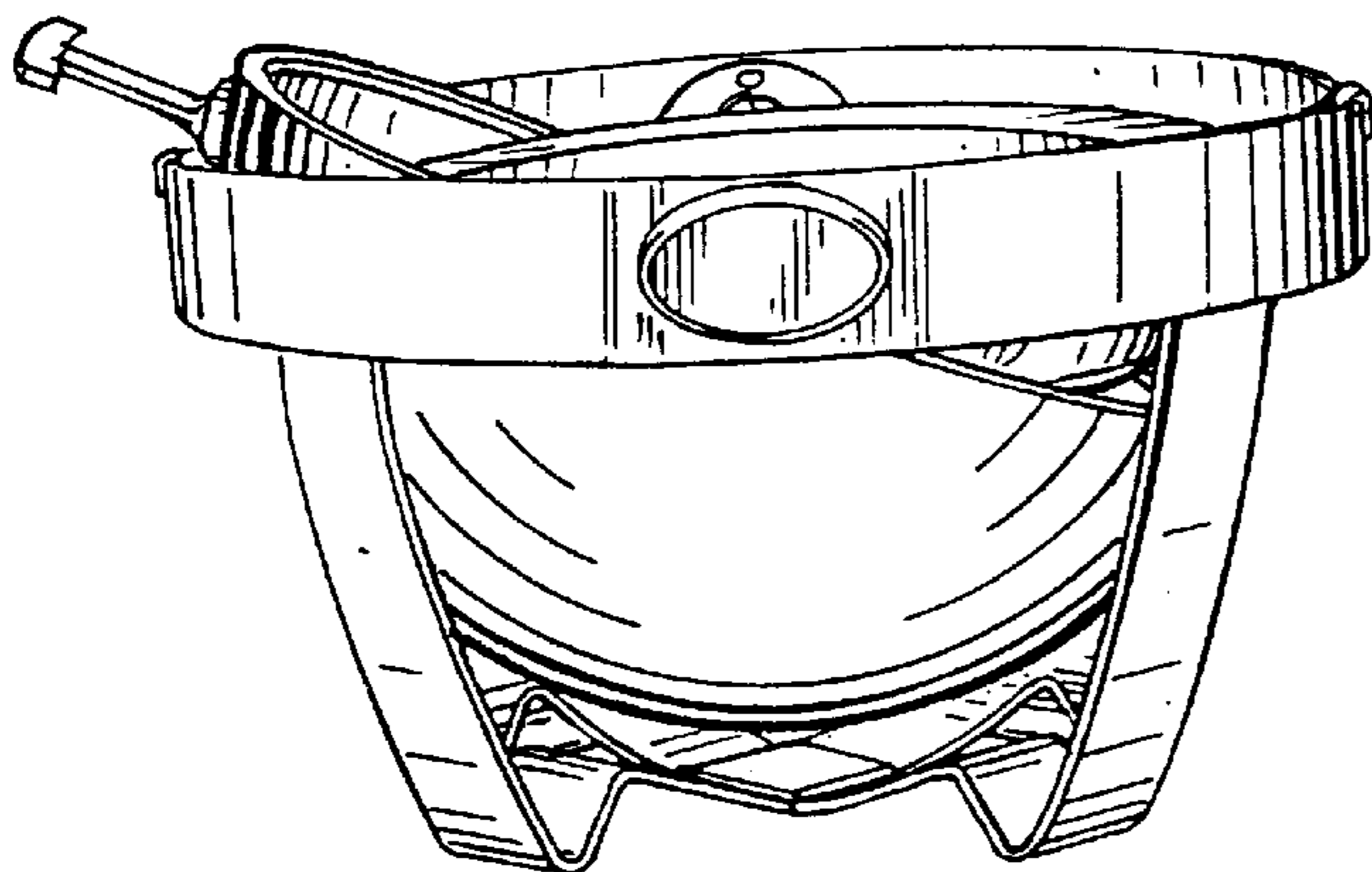


FIG. 3

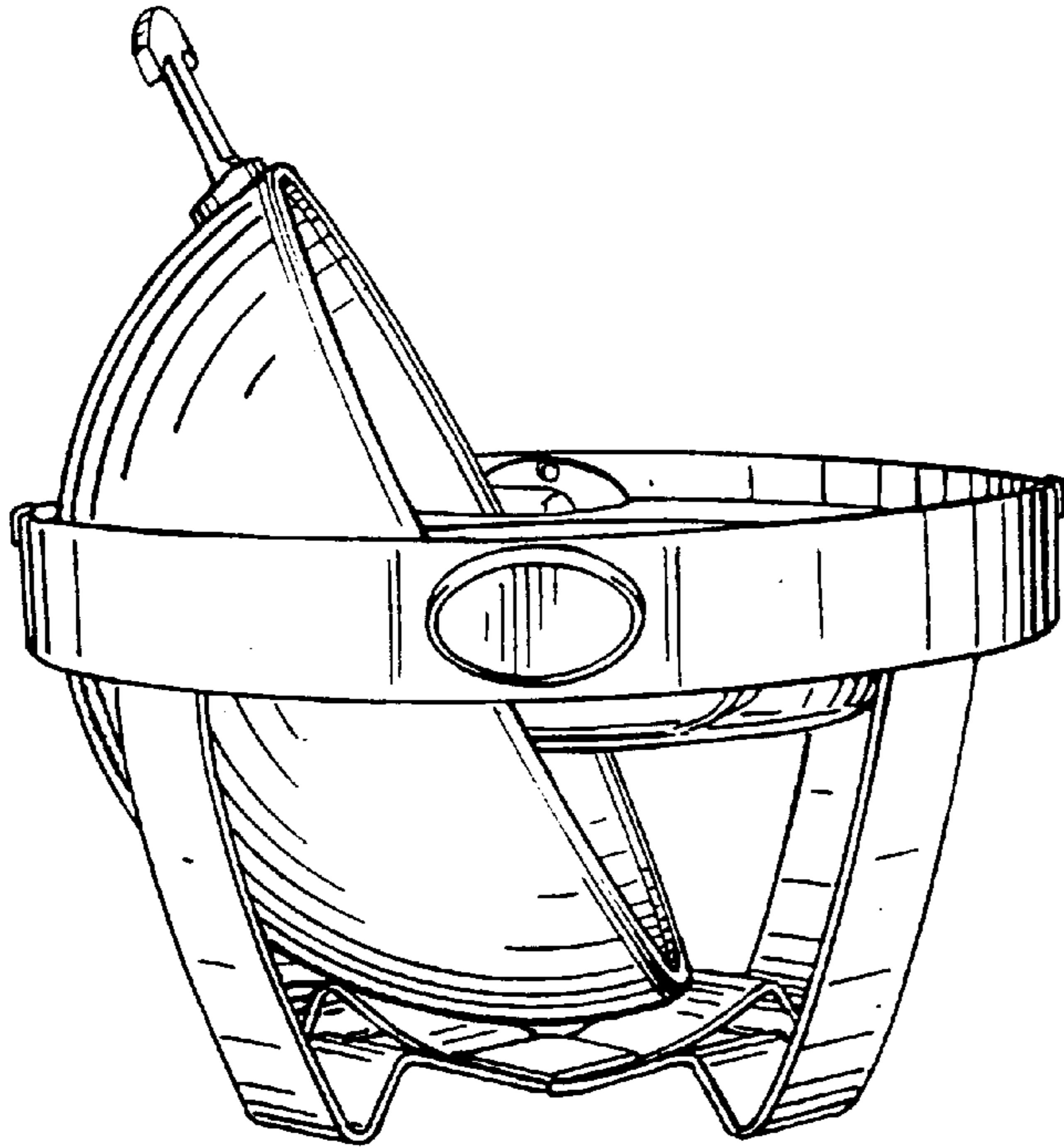


FIG. 4

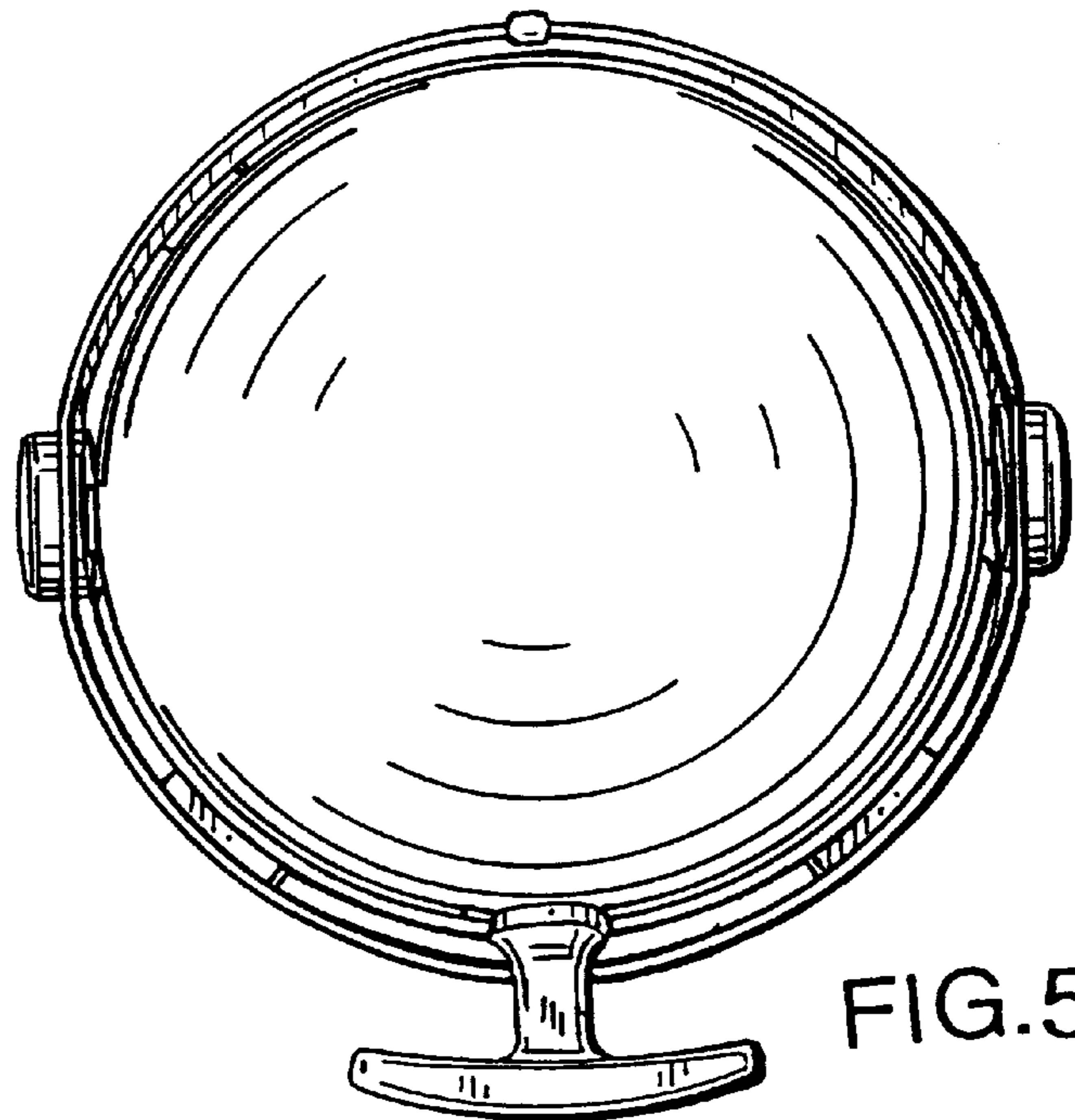


FIG. 5

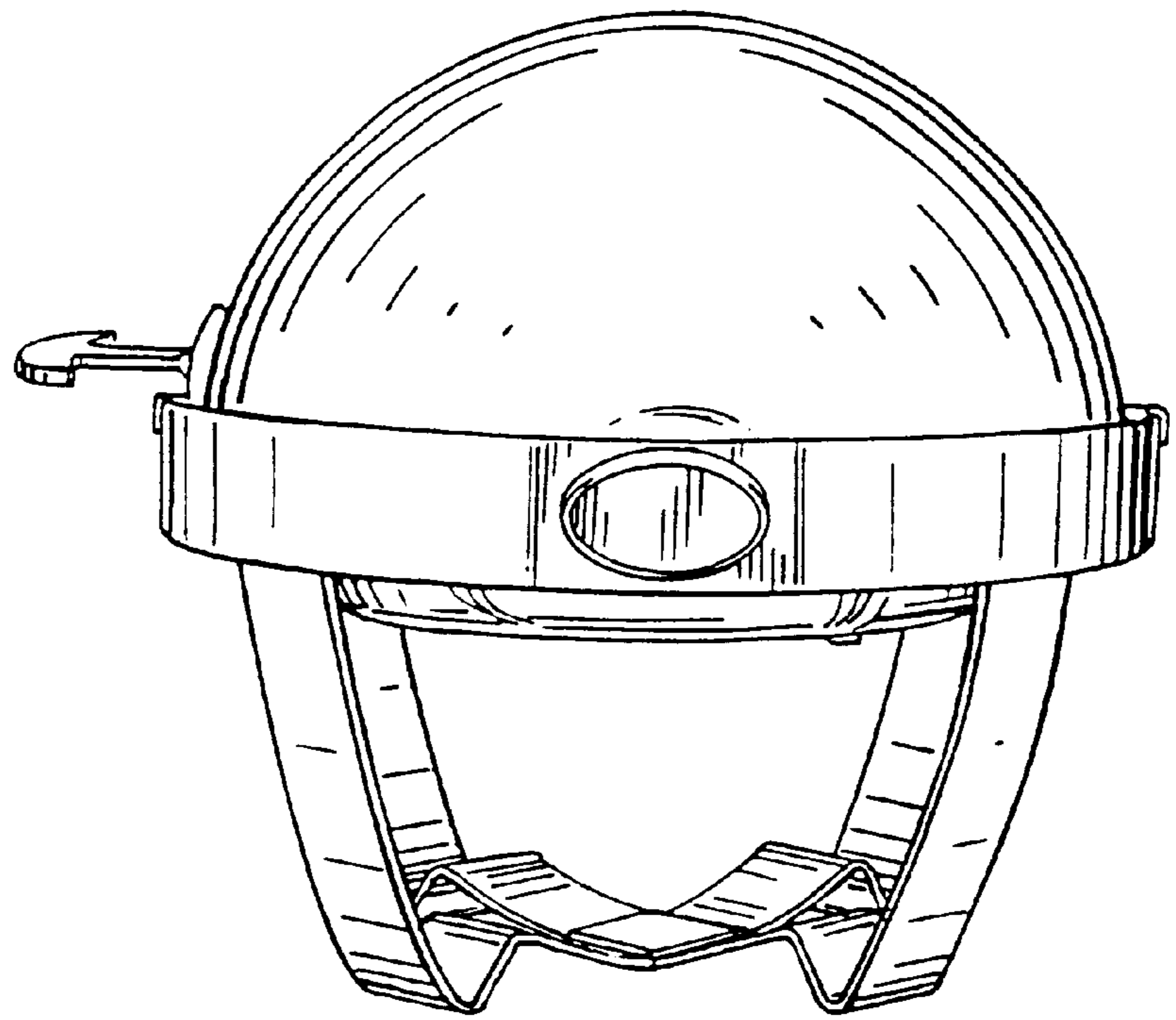


FIG. 6

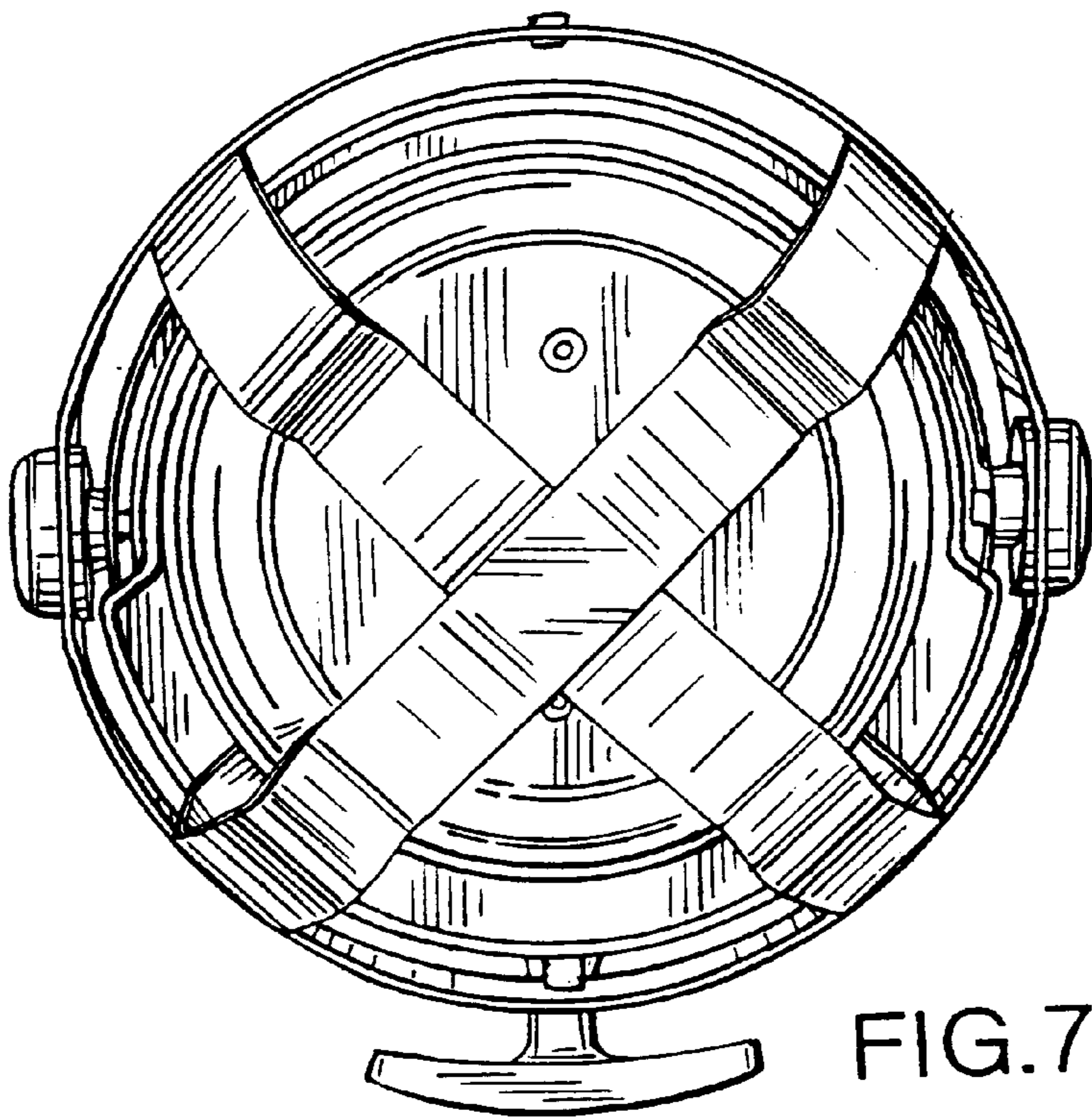


FIG. 7