



US00D423277S

United States Patent [19] Josancy

[11] **Patent Number: Des. 423,277**

[45] **Date of Patent: ** Apr. 25, 2000**

[54] **FRYER**

[75] Inventor: **Luc Josancy**, Sainte Colombe, France

[73] Assignee: **SEB**, Selongey, France

[**] Term: **14 Years**

[21] Appl. No.: **29/109,642**

[22] Filed: **Aug. 19, 1999**

[30] Foreign Application Priority Data

Feb. 22, 1999 [FR] France 99 1283

[51] **LOC (6) Cl.** **07-02**

[52] **U.S. Cl.** **D7/354**

[58] **Field of Search** D7/323, 354-361;
99/331, 403, 410, 411, 413; 219/429, 432,
438, 440

[56] References Cited

U.S. PATENT DOCUMENTS

- D. 347,353 5/1994 Piret et al. D7/354
- D. 368,620 4/1996 Piret D7/354
- D. 374,588 10/1996 Federico D7/354
- D. 387,243 12/1997 Bumoux D7/354

- D. 395,786 7/1998 Rossi D7/354
- D. 410,815 6/1999 Oger D7/354
- D. 414,072 9/1999 Powell D7/354

Primary Examiner—Caron D. Veynar
Attorney, Agent, or Firm—Pillsbury Madison & Sutro

[57] CLAIM

The ornamental design for a fryer, as shown and described.

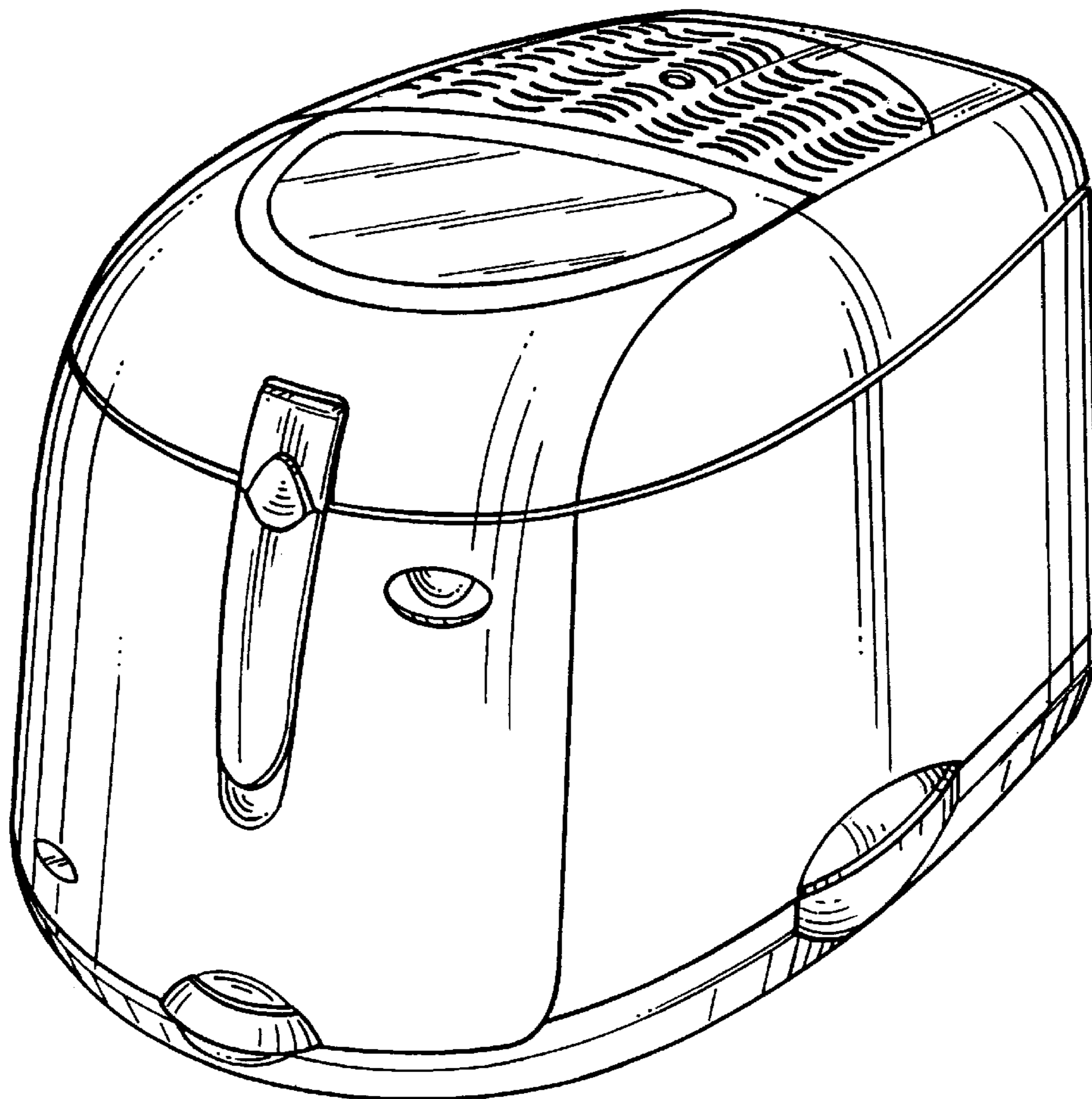
DESCRIPTION

FIG. 1 is a front elevational view of a fryer according to my new design;
FIG. 2 is a rear elevational view thereof;
FIG. 3 is a right side elevational view thereof;
FIG. 4 is a top plan view thereof;
FIG. 5 is a bottom plan view thereof; and,
FIG. 6 is a perspective view thereof, seen from above and from the right and the front.

The drawings do not show a left side elevational view. Such a view would be essentially a mirror image of FIG. 3.

The top, or lid, of the fryer is provided with a series of parallel curved apertures and a small window of approximately semicircular shape for permitting viewing of the interior of the fryer.

1 Claim, 4 Drawing Sheets



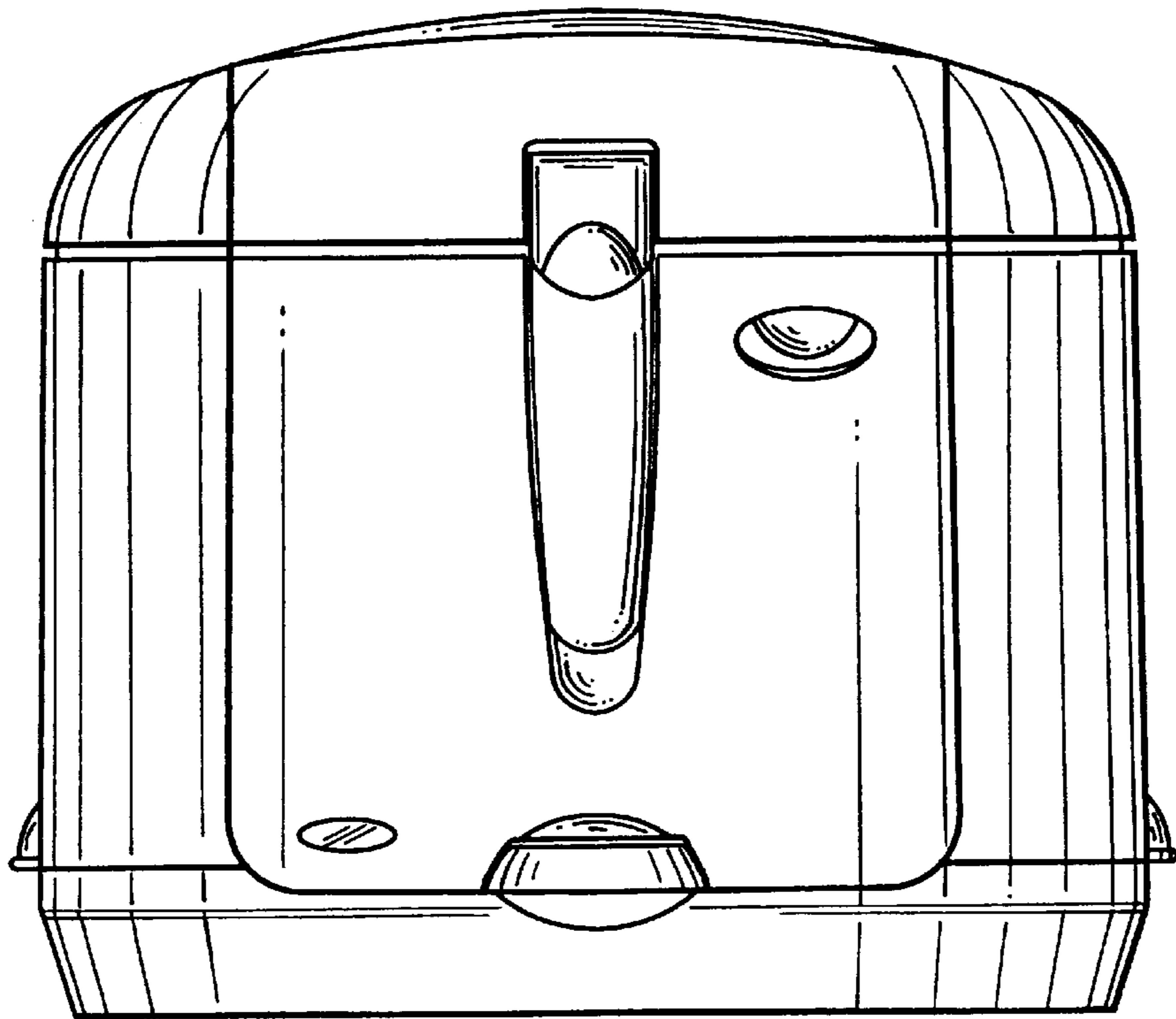


FIG. 1

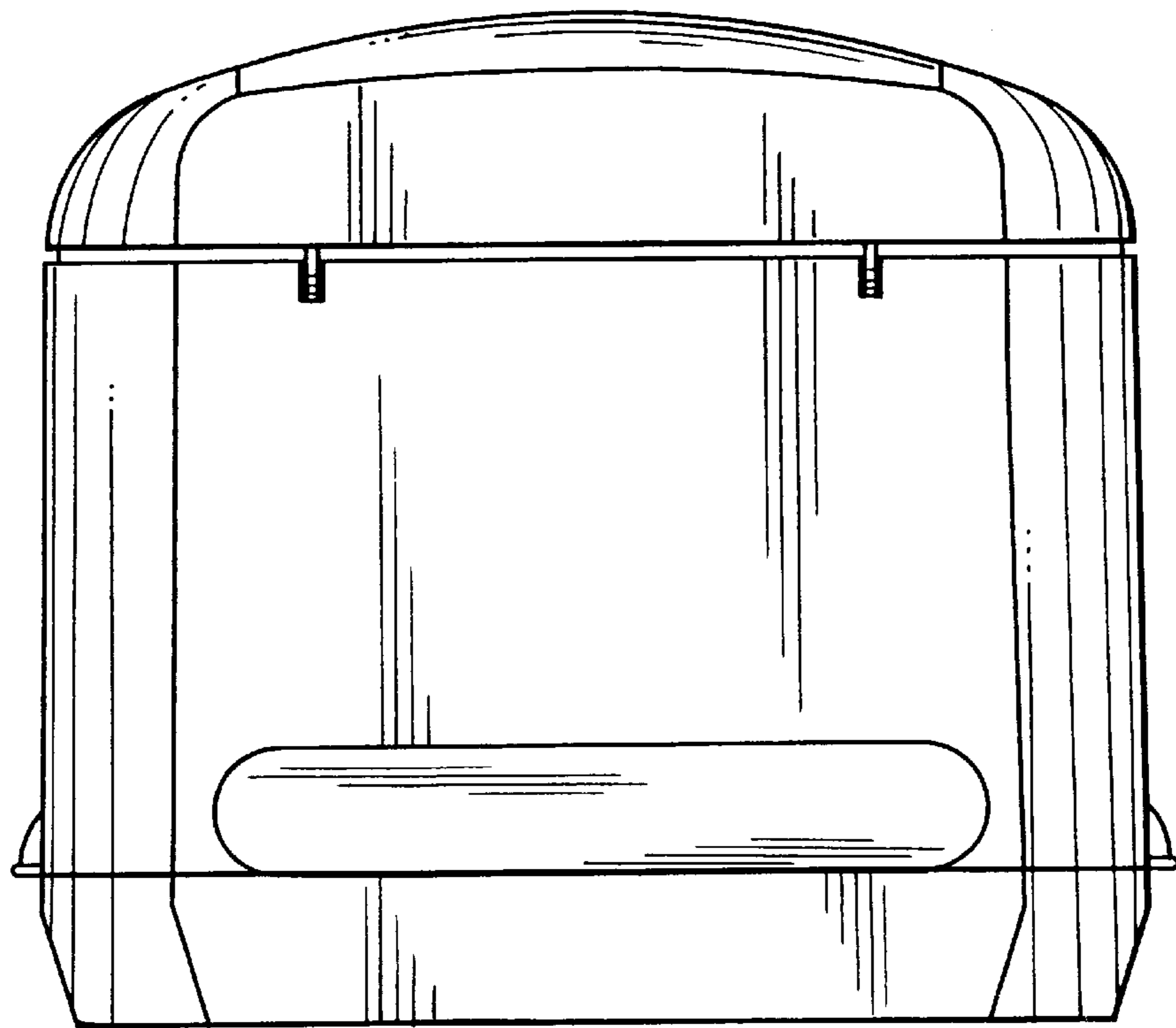


FIG. 2

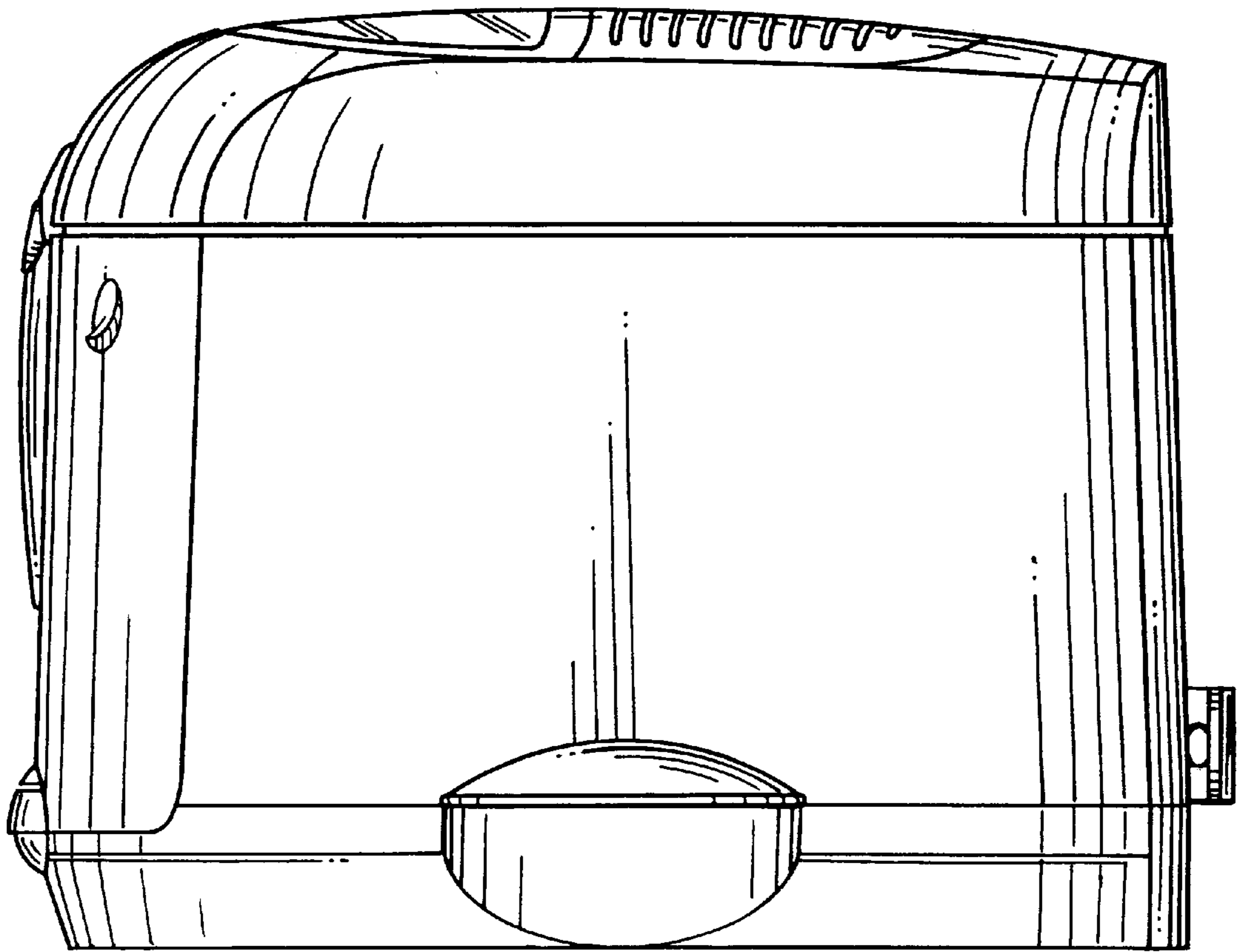


FIG. 3

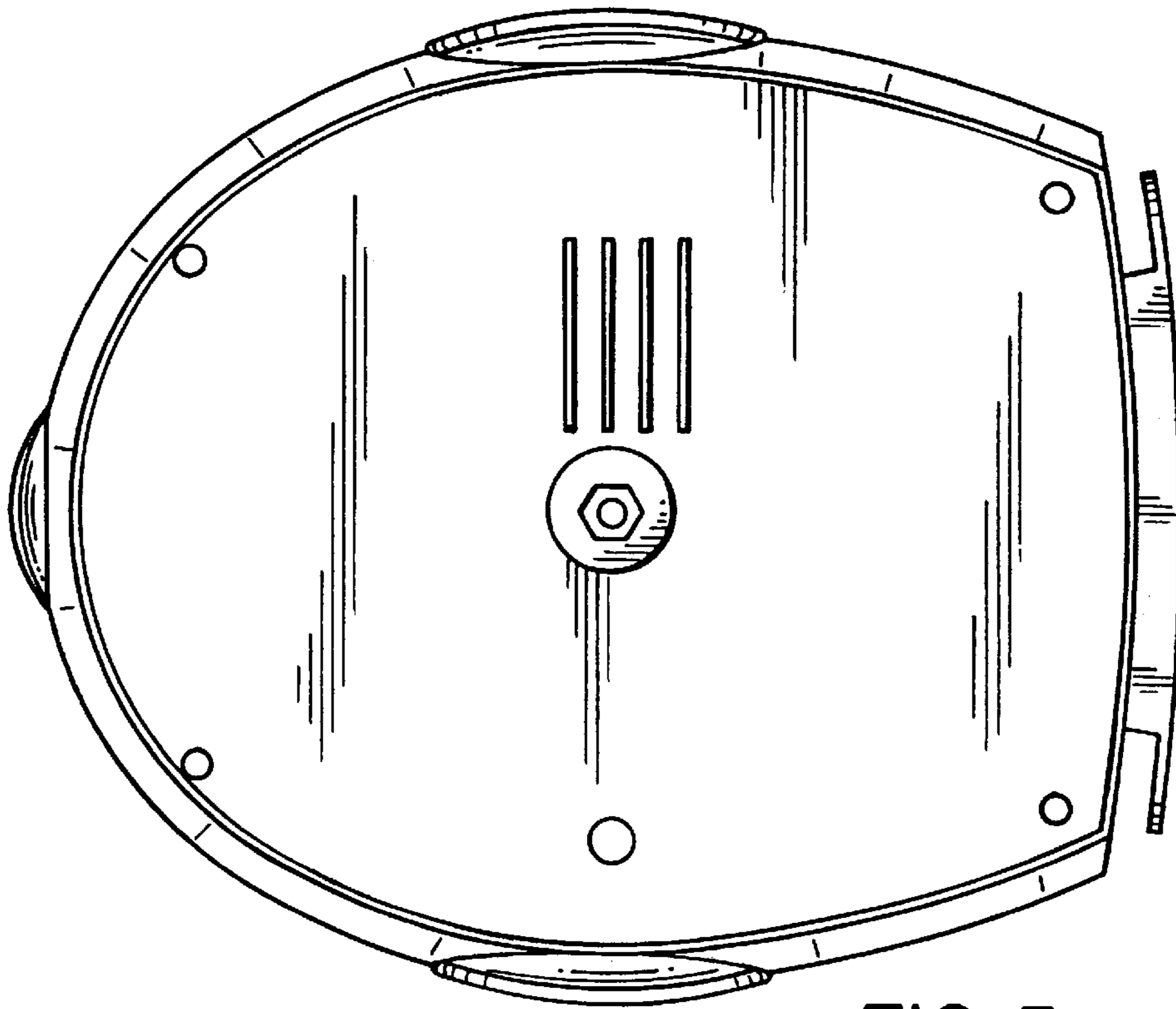


FIG. 5

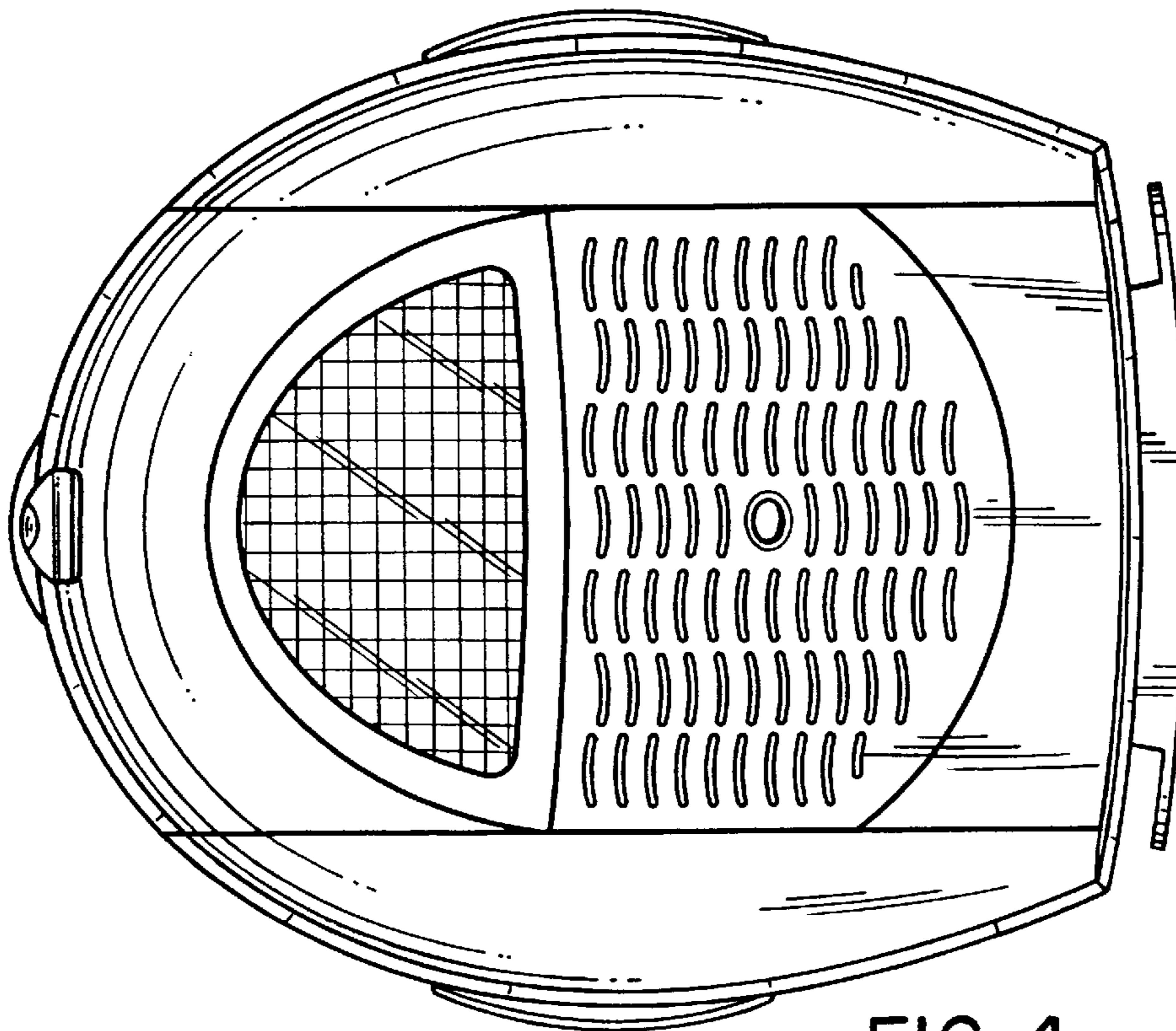


FIG. 4

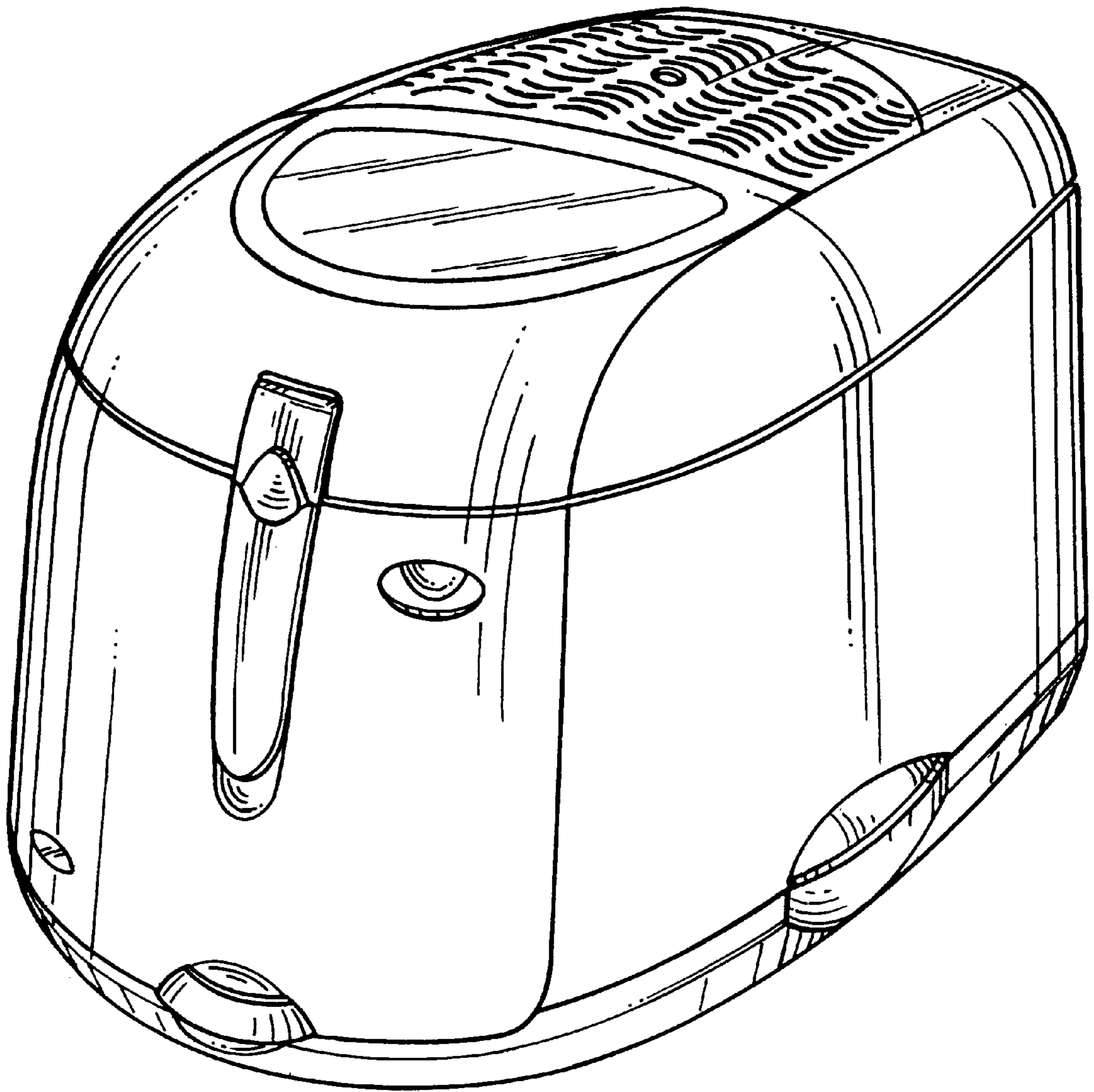


FIG. 6