



US00D423274S

# United States Patent [19]

Coleman et al.

[11] Patent Number: Des. 423,274

[45] Date of Patent: \*\* Apr. 25, 2000

[54] BARBECUE GRILL AND CART ASSEMBLY

[75] Inventors: **Brian Coleman**, Midland, Ga.;  
**Glenbruce Campbell**, Opelika, Ala.; **J. Douglas Alsup**, Conyers; **Jae Ho Cha**, Lithonia, both of Ga.

[73] Assignee: **W. C. Bradley Company**, Columbus, Ga.

[\*\*] Term: **14 Years**

[21] Appl. No.: **29/092,286**

[22] Filed: **Aug. 14, 1998**

[51] LOC (6) Cl. .... **07-02**

[52] U.S. Cl. .... **D7/334**

[58] Field of Search ..... D7/332-338, 402-404;  
126/275 R, 275 E, 19 M, 19 R, 21 A, 25 R,  
25 A, 25 AA, 29-30, 9 R, 9 A, 9 B, 39 R,  
41 R, 40; 219/10.55 R, 10.55 A, 10.55 B,  
10.55 C, 403, 386; 99/340-341, 419, 421 R,  
421 H, 446, 450

[56] **References Cited**

U.S. PATENT DOCUMENTS

D. 322,909 1/1992 Parent et al. .... D7/334

D. 327,390 6/1992 Schlosser et al. .... D7/334  
D. 351,308 10/1994 Pai ..... D7/334  
D. 381,240 7/1997 Home ..... D7/334  
D. 410,812 6/1999 Pai ..... D7/334  
5,638,808 6/1997 Home ..... 126/41 R

*Primary Examiner*—Ruth McInroy  
*Attorney, Agent, or Firm*—Thomas, Kayden, Horstemeyer,  
& Risley

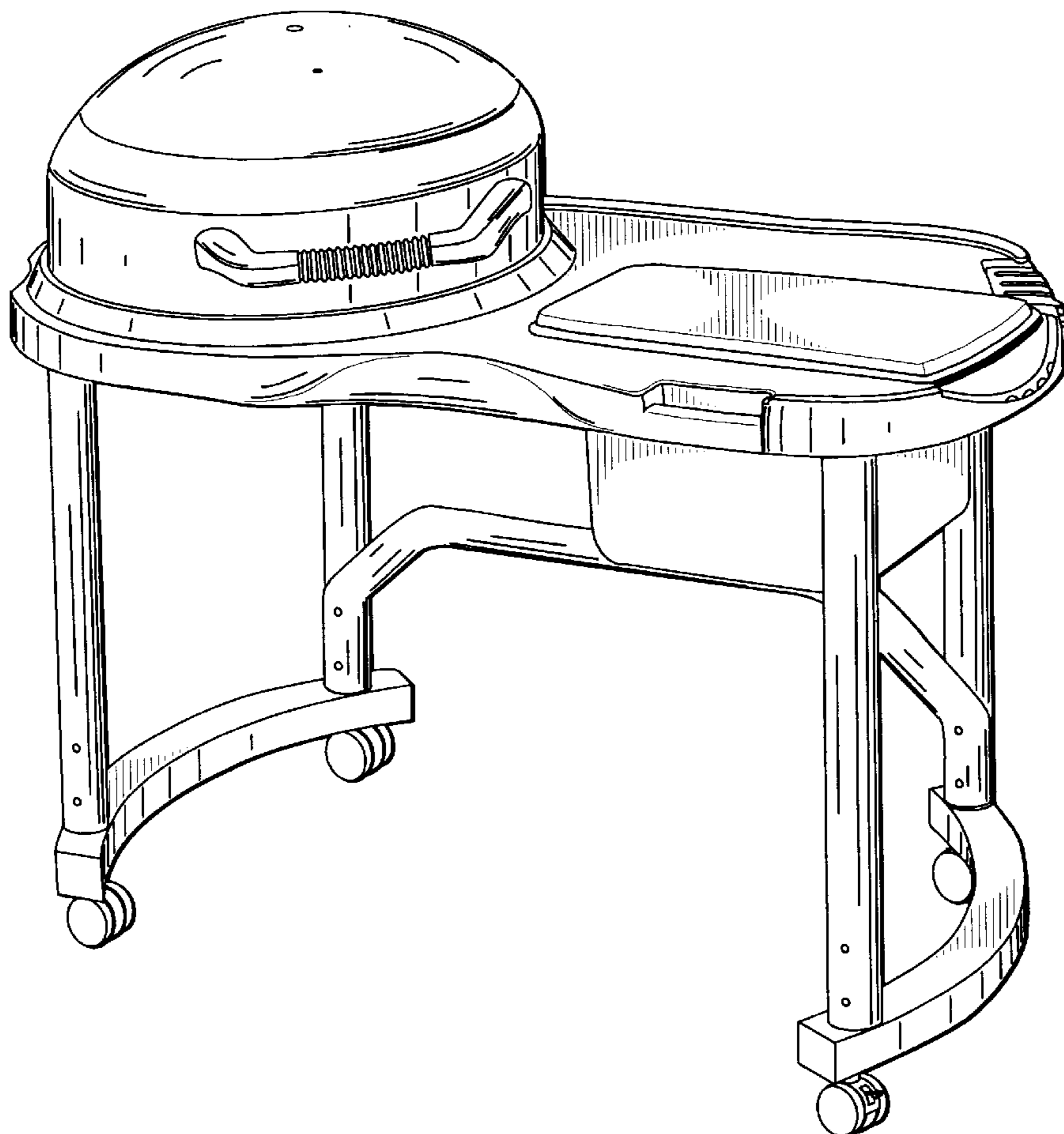
[57] **CLAIM**

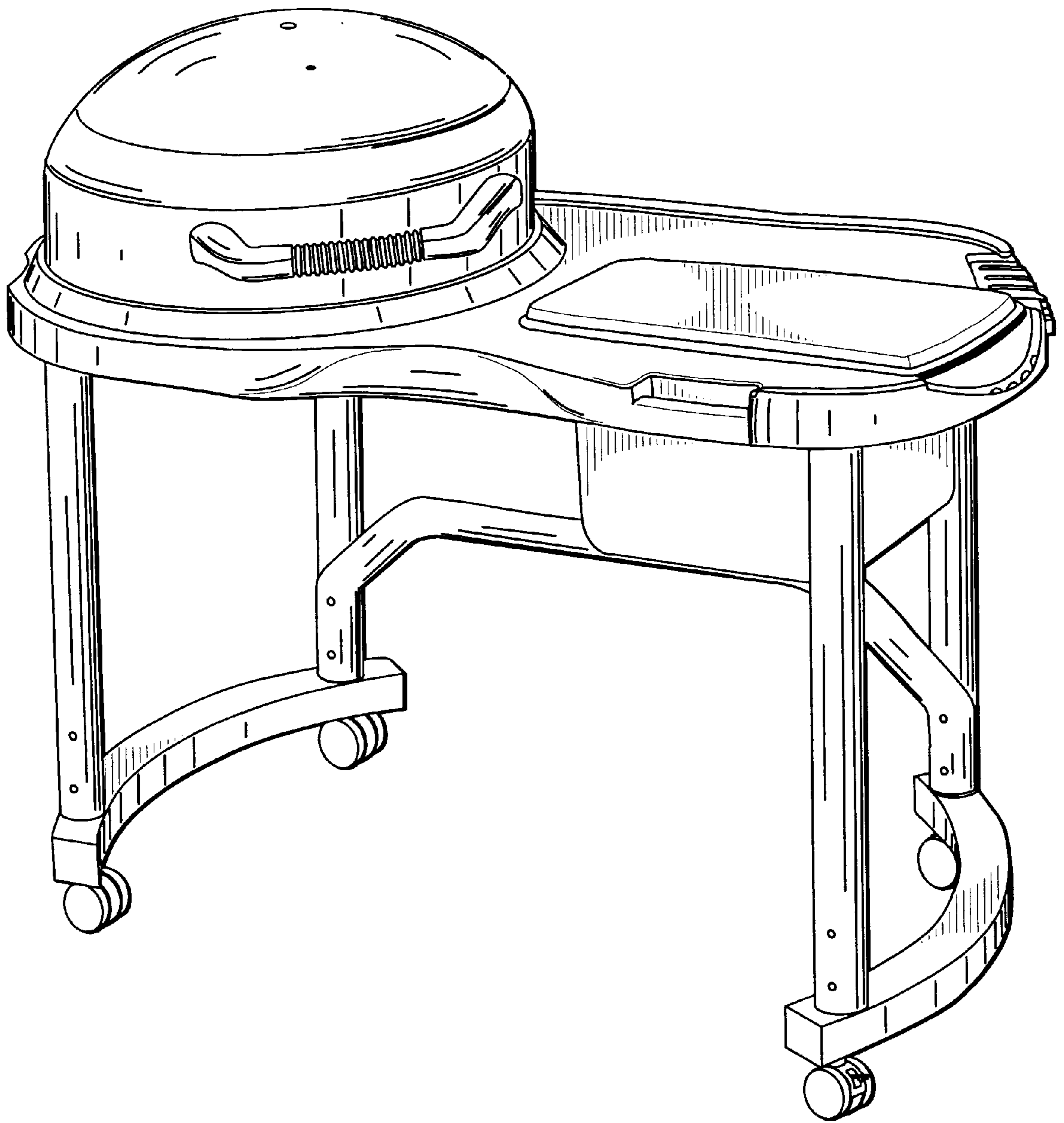
The ornamental design of a barbecue grill and cart assembly, as shown and described.

**DESCRIPTION**

FIG. 1 is a perspective view showing my new barbecue grill and cart assembly;  
FIG. 2 is a front elevational view thereof;  
FIG. 3 is a rear elevational view thereof;  
FIG. 4 is a right side elevational view thereof;  
FIG. 5 is a left side elevational view thereof;  
FIG. 6 is a top plan view thereof; and,  
FIG. 7 is a bottom plan view thereof.

**1 Claim, 7 Drawing Sheets**





**FIG. 1**

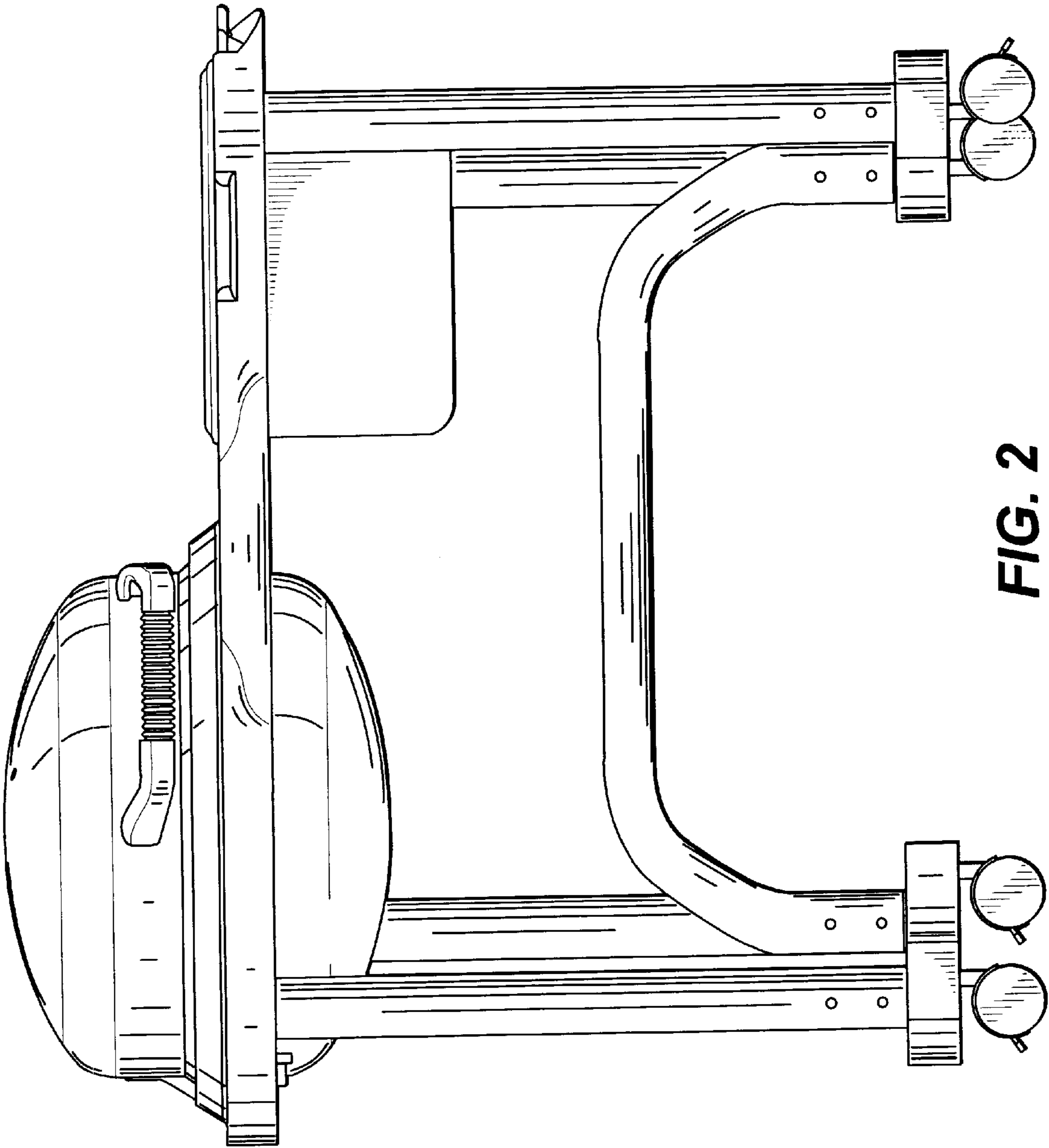


FIG. 2

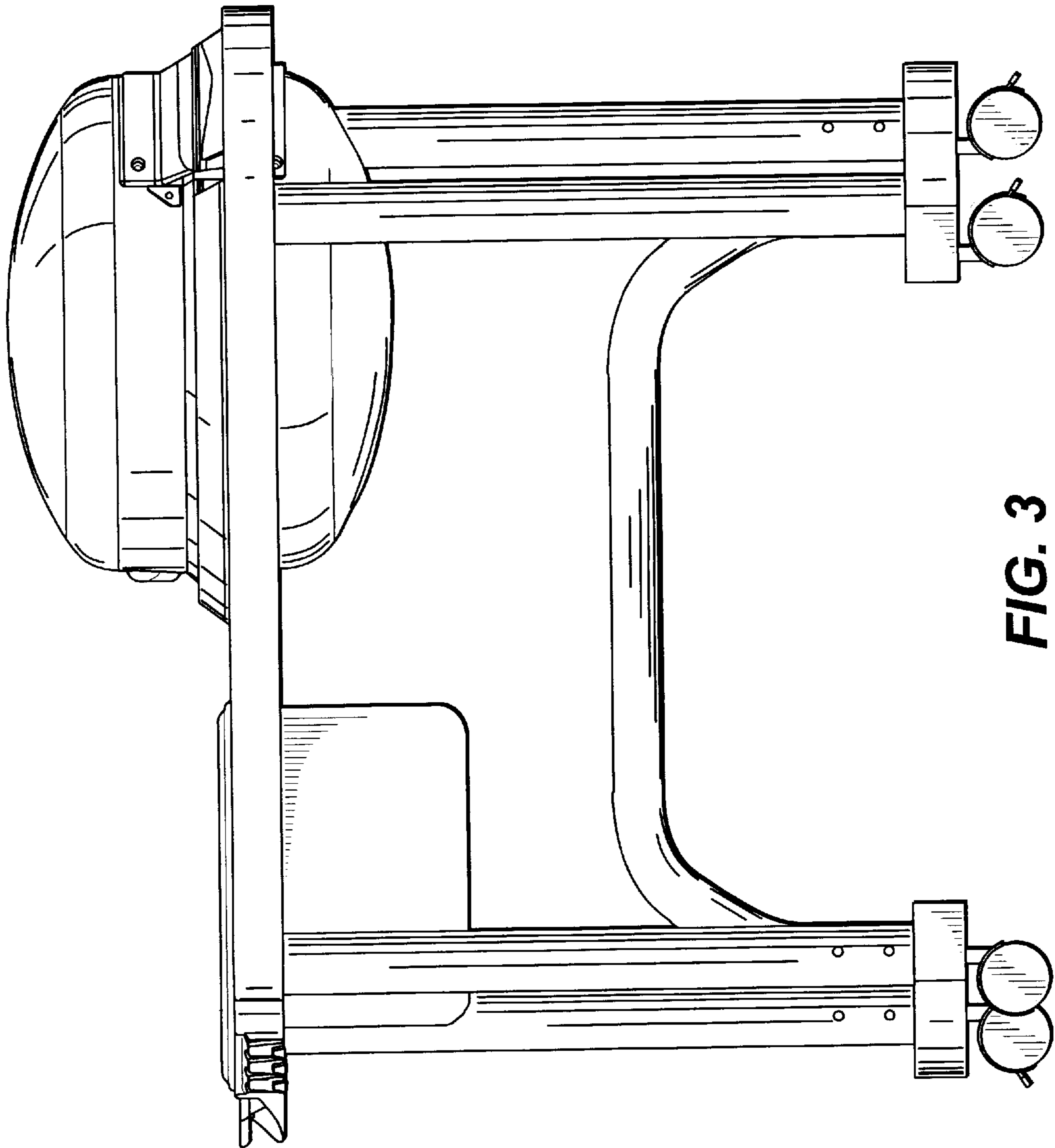
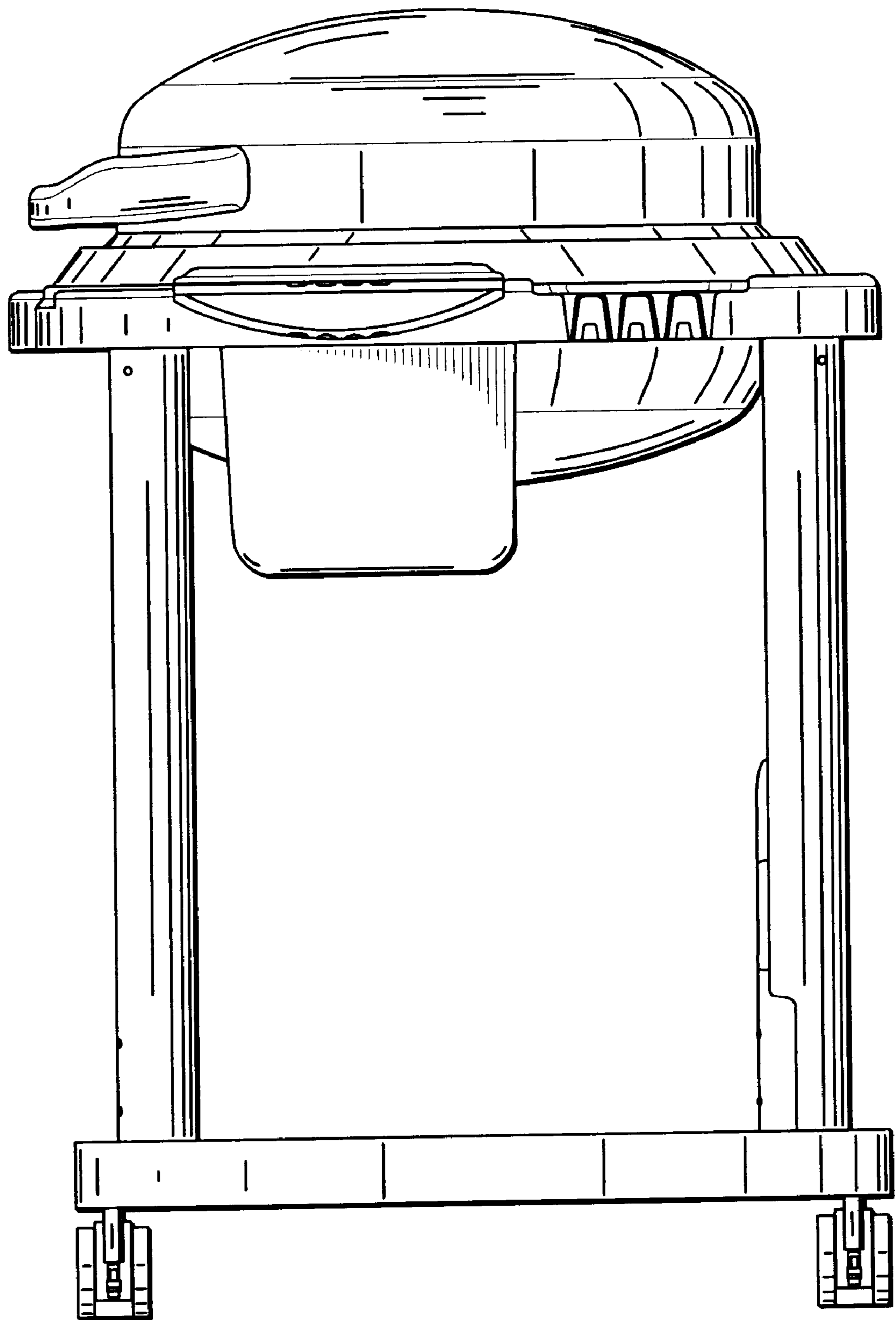
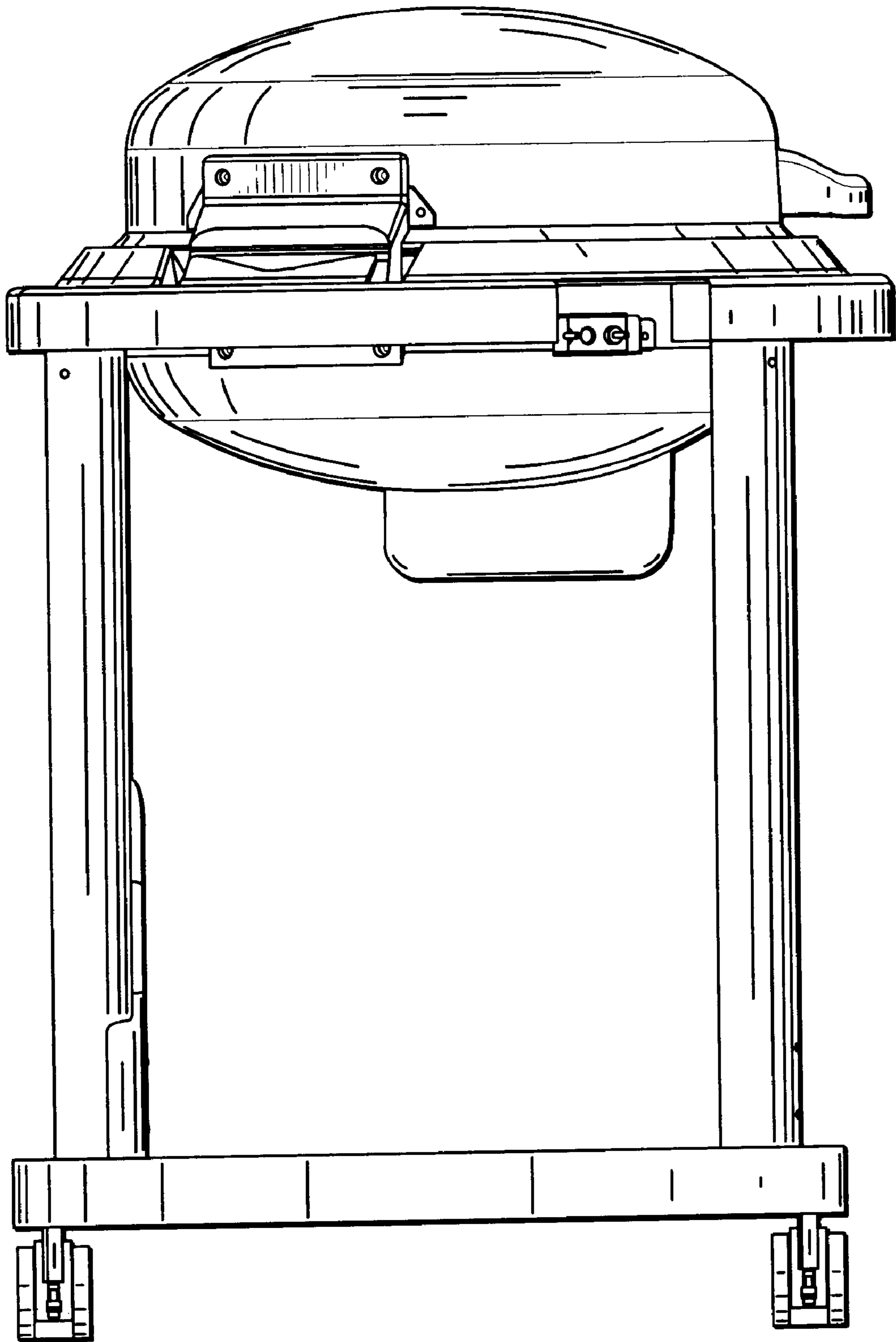


FIG. 3

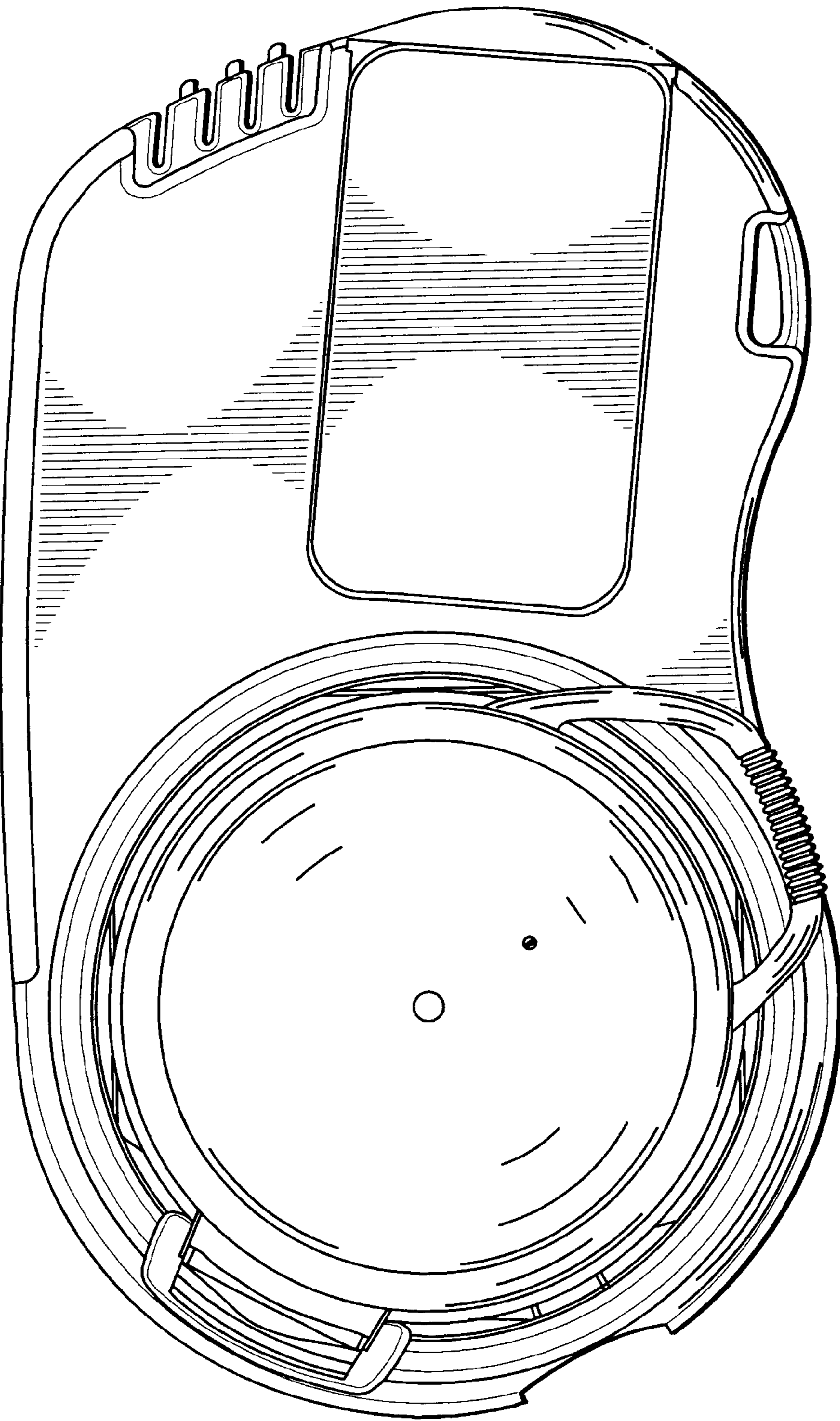


**FIG. 4**

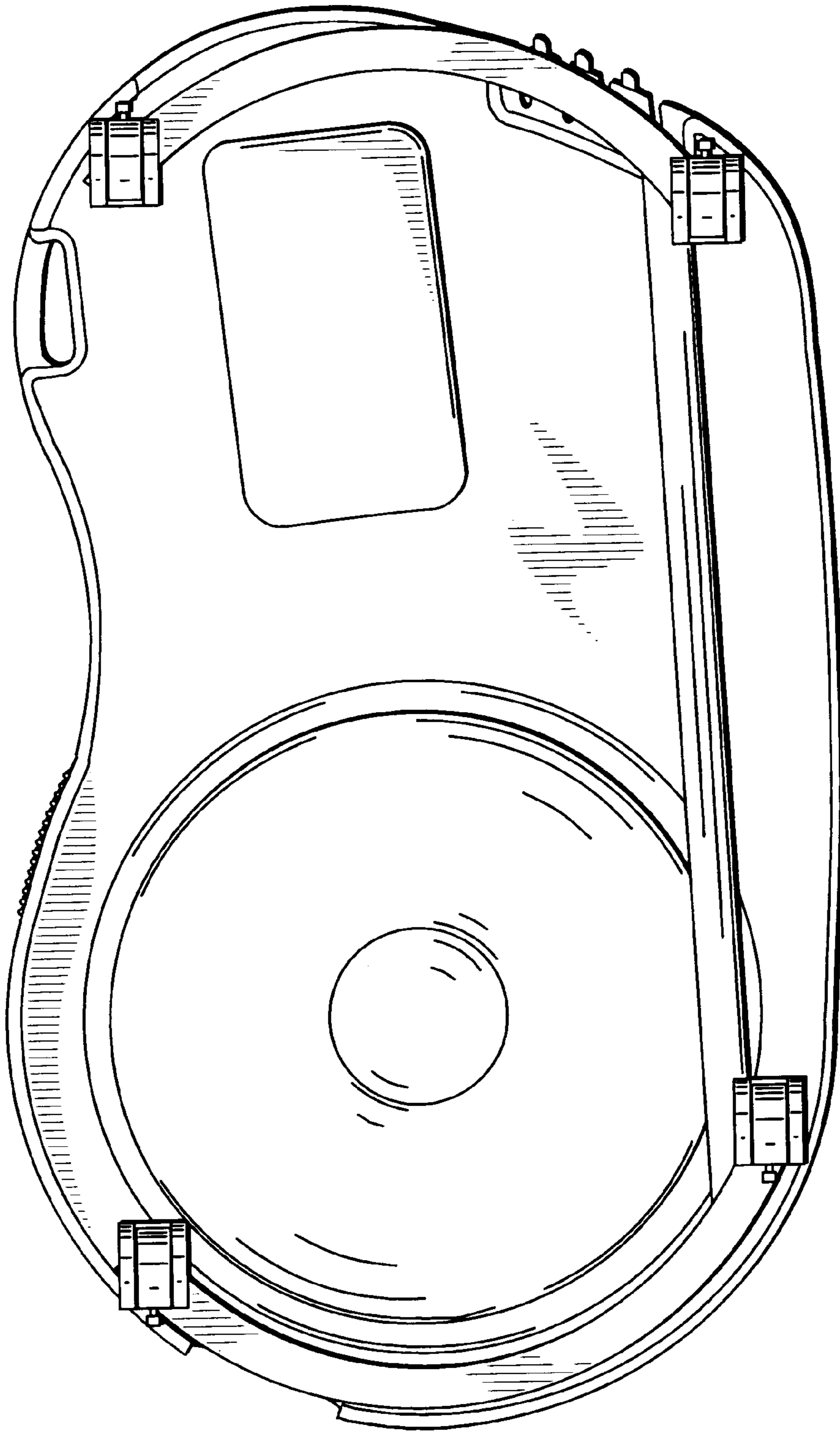


**FIG. 5**





**FIG. 6**



**FIG. 7**