



US00D423273S

**United States Patent** [19]  
**Sankey et al.**

[11] **Patent Number: Des. 423,273**  
[45] **Date of Patent: \*\* Apr. 25, 2000**

[54] **INJECTION MOLDED CASE FOR RECORDED MEDIA**

- [75] Inventors: **James K. Sankey**, Hudson; **Dennis D. Belden, Jr.**, Canton; **James M. Byrne**, North Canton, all of Ohio
- [73] Assignee: **Alpha Enterprises, Inc.**, North Canton, Ohio
- [\*\*] Term: **14 Years**
- [21] Appl. No.: **29/106,766**
- [22] Filed: **Jun. 22, 1999**

**Related U.S. Application Data**

- [63] Continuation-in-part of application No. 29/097,890, Dec. 17, 1998, abandoned.
- [51] **LOC (6) Cl.** ..... **06-04**
- [52] **U.S. Cl.** ..... **D6/632**
- [58] **Field of Search** ..... D3/218, 201; D6/407, D6/631, 632, 633, 634; 206/307, 308.1, 309, 310, 311, 312

**References Cited**

**U.S. PATENT DOCUMENTS**

D. 324,950	3/1992	Ozeki	.....	D6/407
D. 328,388	8/1992	Weisburn et al.	.....	D6/407
D. 373,044	8/1996	Kikuchi	.....	D6/632
D. 392,473	3/1998	Gaddy et al.	.....	D6/407
4,407,410	10/1983	Graetz et al.	.	
4,432,827	2/1984	Graetz et al.	.	
4,496,048	1/1985	Sykes	.	
4,584,950	4/1986	Adams et al.	.	
4,593,814	6/1986	Hagiwara et al.	.	
4,614,269	9/1986	Dietze et al.	.	
4,635,797	1/1987	Bankier	.	

(List continued on next page.)

*Primary Examiner*—Louis S. Zarfaz  
*Assistant Examiner*—Catherine R. Oliver  
*Attorney, Agent, or Firm*—Sand & Sebolt

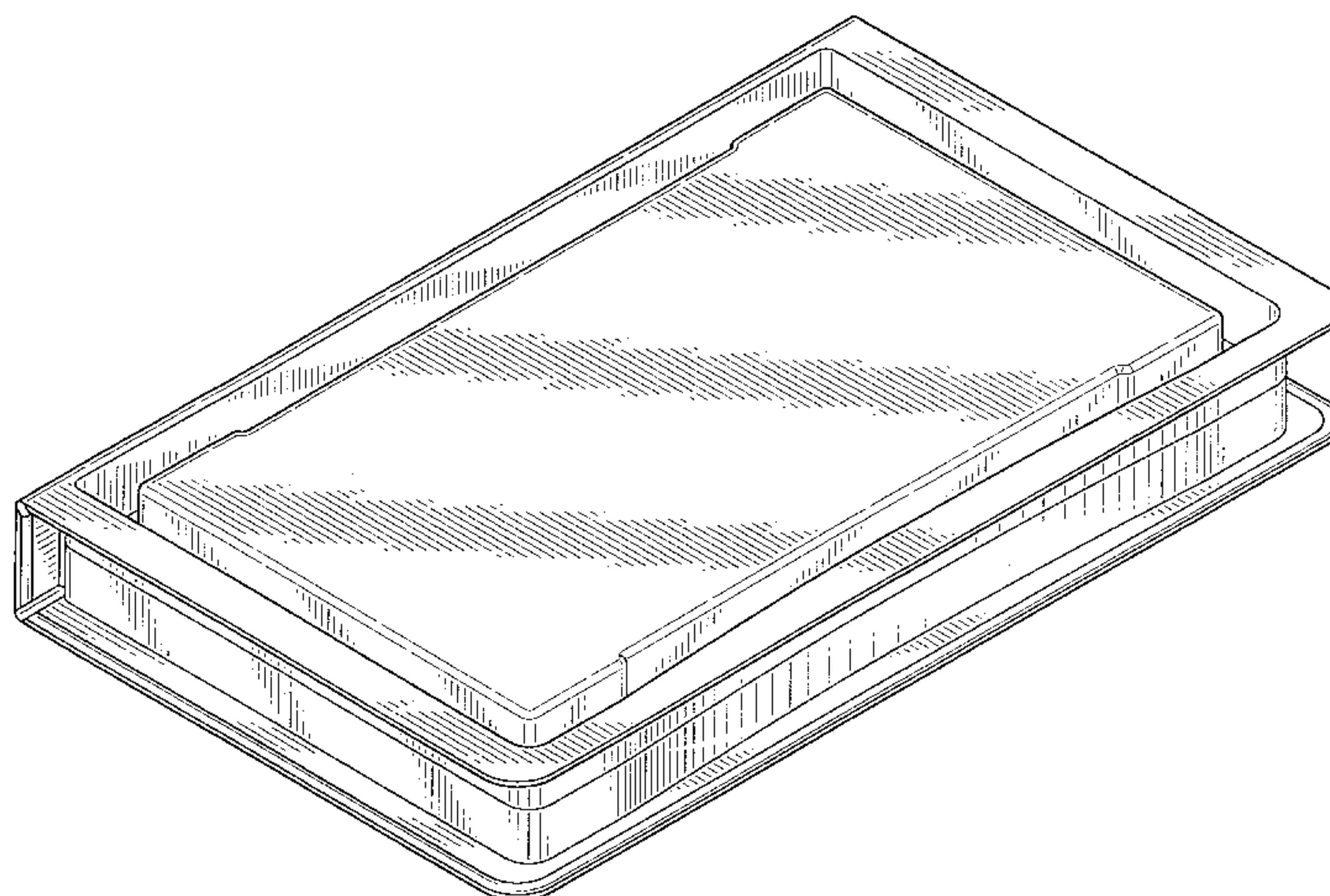
[57] **CLAIM**

The ornamental design for an injection molded case for recorded media, as shown and described.

**DESCRIPTION**

FIG. 1 is a perspective view of an injection molded case for recorded media showing our new design;  
 FIG. 2 is a top plan view of the injection molded case for recorded media;  
 FIG. 3 is a front elevational view of the injection molded case for recorded media of FIG. 2;  
 FIG. 4 is a right side elevational view of FIG. 3, the left side being a mirror image thereof;  
 FIG. 5 is a bottom plan view of FIG. 3;  
 FIG. 6 is a rear elevational view of FIG. 3;  
 FIG. 7 is a perspective view of an injection molded case for recorded media showing a modified design;  
 FIG. 8 is a top plan view of the injection molded case for recorded media of FIG. 7;  
 FIG. 9 is a front elevational view of the injection molded case for recorded media of FIG. 8;  
 FIG. 10 is a right side elevational view of FIG. 9, the left side being a mirror image thereof;  
 FIG. 11 is a bottom plan view of FIG. 8;  
 FIG. 12 is a rear elevational view of FIG. 8;  
 FIG. 13 is a perspective view of an injection molded case for recorded media showing another modified design;  
 FIG. 14 is a top plan view of the injection molded case for recorded media of FIG. 13;  
 FIG. 15 is a front elevational view of the injection molded case for recorded media of FIG. 14;  
 FIG. 16 is a right side elevational view of FIG. 15, the left side being a mirror image thereof;  
 FIG. 17 is a bottom plan view of FIG. 15;  
 FIG. 18 is a rear elevational view of FIG. 15;  
 FIG. 19 is a perspective view of an injection molded case for recorded media showing a further modified design;  
 FIG. 20 is a top plan view of the injection molded case for recorded media of FIG. 19;  
 FIG. 21 is a front elevational view of the injection molded case for recorded media of FIG. 20;  
 FIG. 22 is a right side elevational view of FIG. 21 (left side being a mirror image thereof);  
 FIG. 23 is a bottom plan view of FIG. 21; and,  
 FIG. 24 is a rear elevational view of FIG. 21.

**1 Claim, 15 Drawing Sheets**



# Des. 423,273

Page 2

---

## U.S. PATENT DOCUMENTS

4,641,750	2/1987	Johnson et al. .	5,031,780	7/1991	Lemmerman et al. .
4,681,223	7/1987	Roberts .	5,145,068	9/1992	Schmitz et al. .
4,703,853	11/1987	Byrns .	5,351,823	10/1994	Kollinek .
4,753,347	6/1988	Bellante et al. .	5,353,932	10/1994	Kollinek .
4,771,886	9/1988	Johnson .	5,383,557	1/1995	Weisburn et al. .
4,778,051	10/1988	Schaub et al. .... 206/309	5,421,456	6/1995	Kollinek .
4,778,228	10/1988	Ackeret .	5,484,058	1/1996	Shima et al. .
4,784,264	11/1988	Sykes .	5,544,748	8/1996	Kollinek .
4,842,348	6/1989	Ackeret .	5,549,203	8/1996	Weisburn et al. .
4,928,825	5/1990	Hehn .	5,605,227	2/1997	Morita .
4,962,854	10/1990	Ricci .	5,609,250	3/1997	Moser .
4,971,206	11/1990	Lemmerman et al. .	5,730,310	3/1998	Yoshihara .



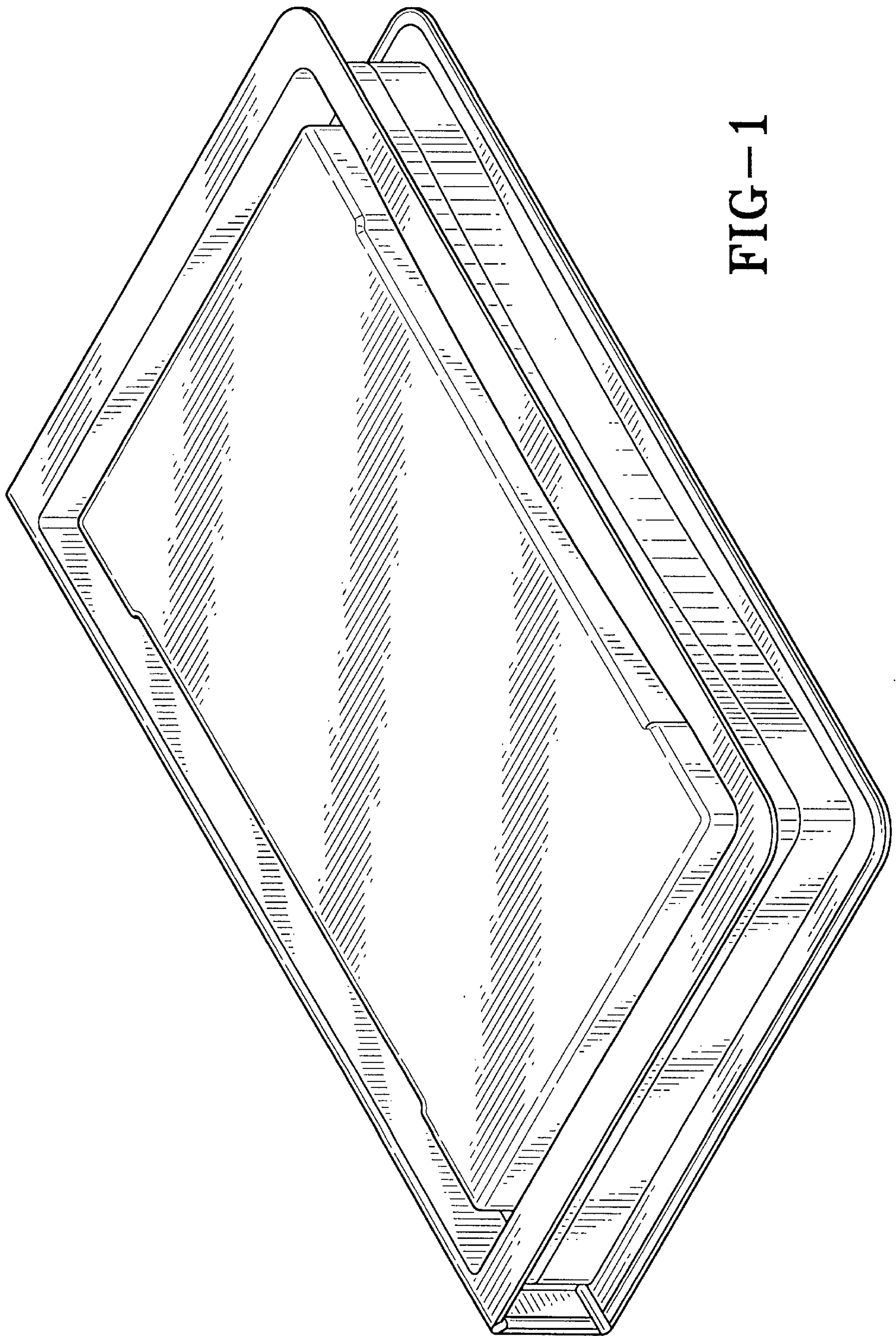


FIG-1

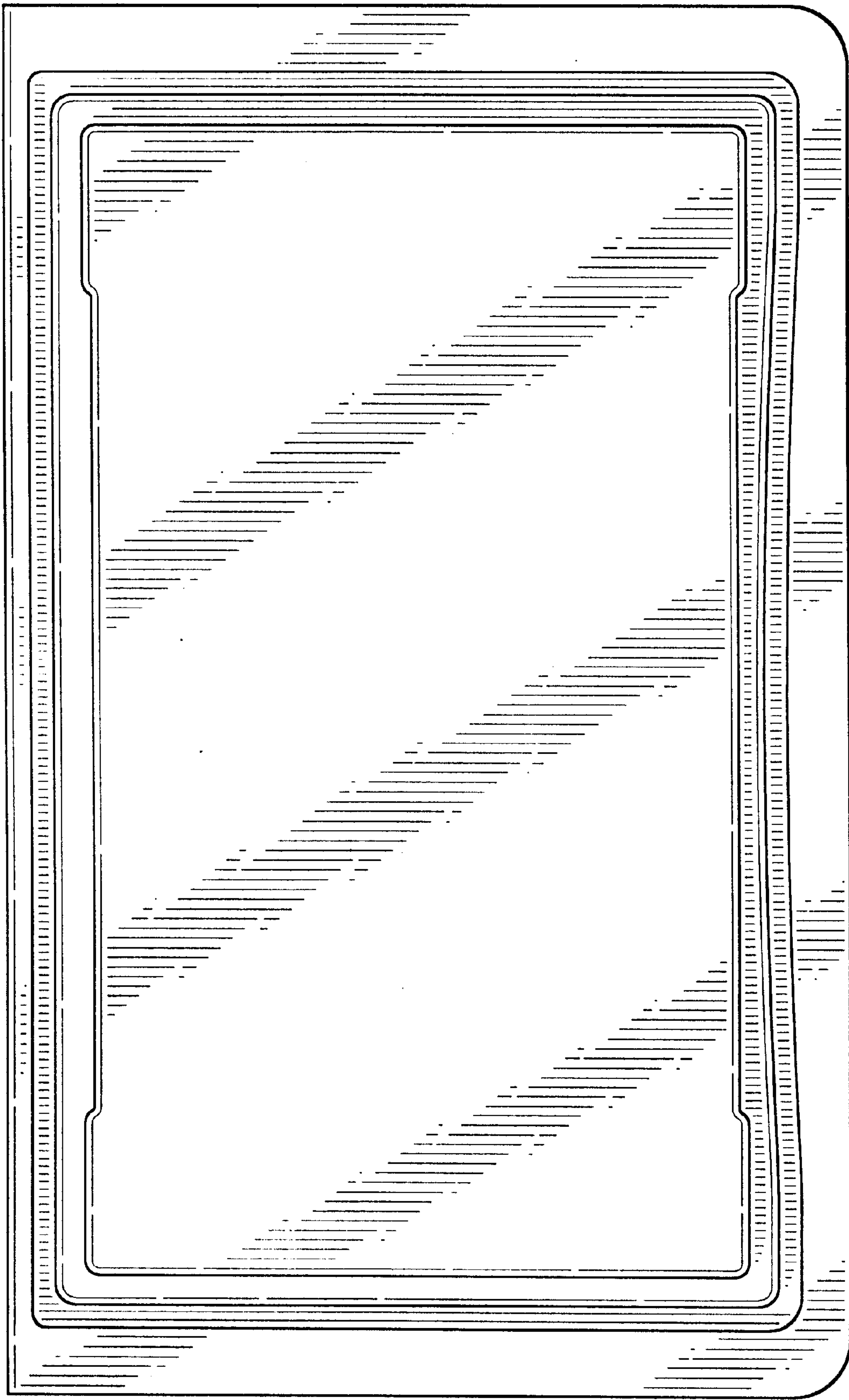


FIG-2

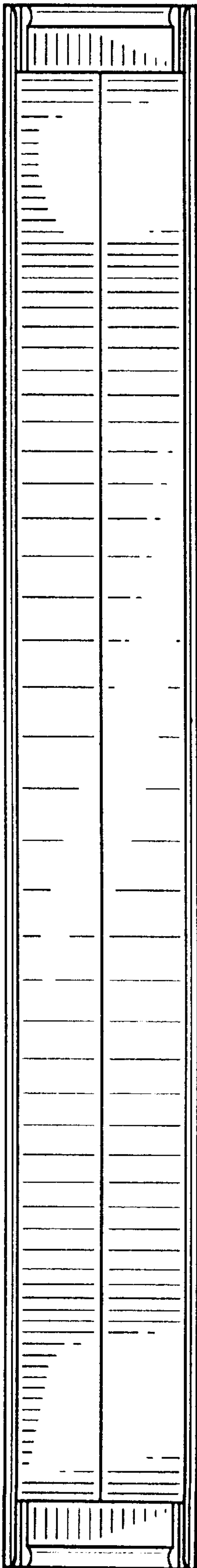


FIG-3

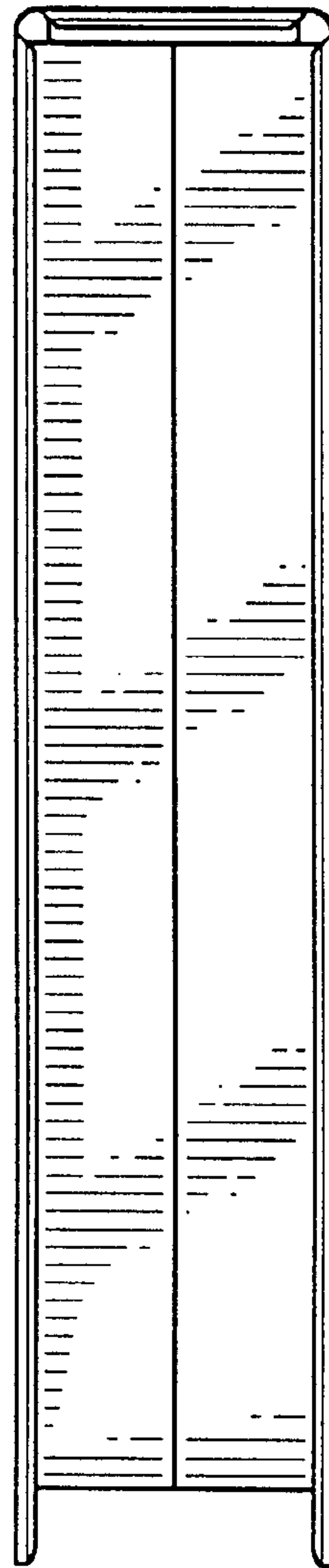


FIG-4

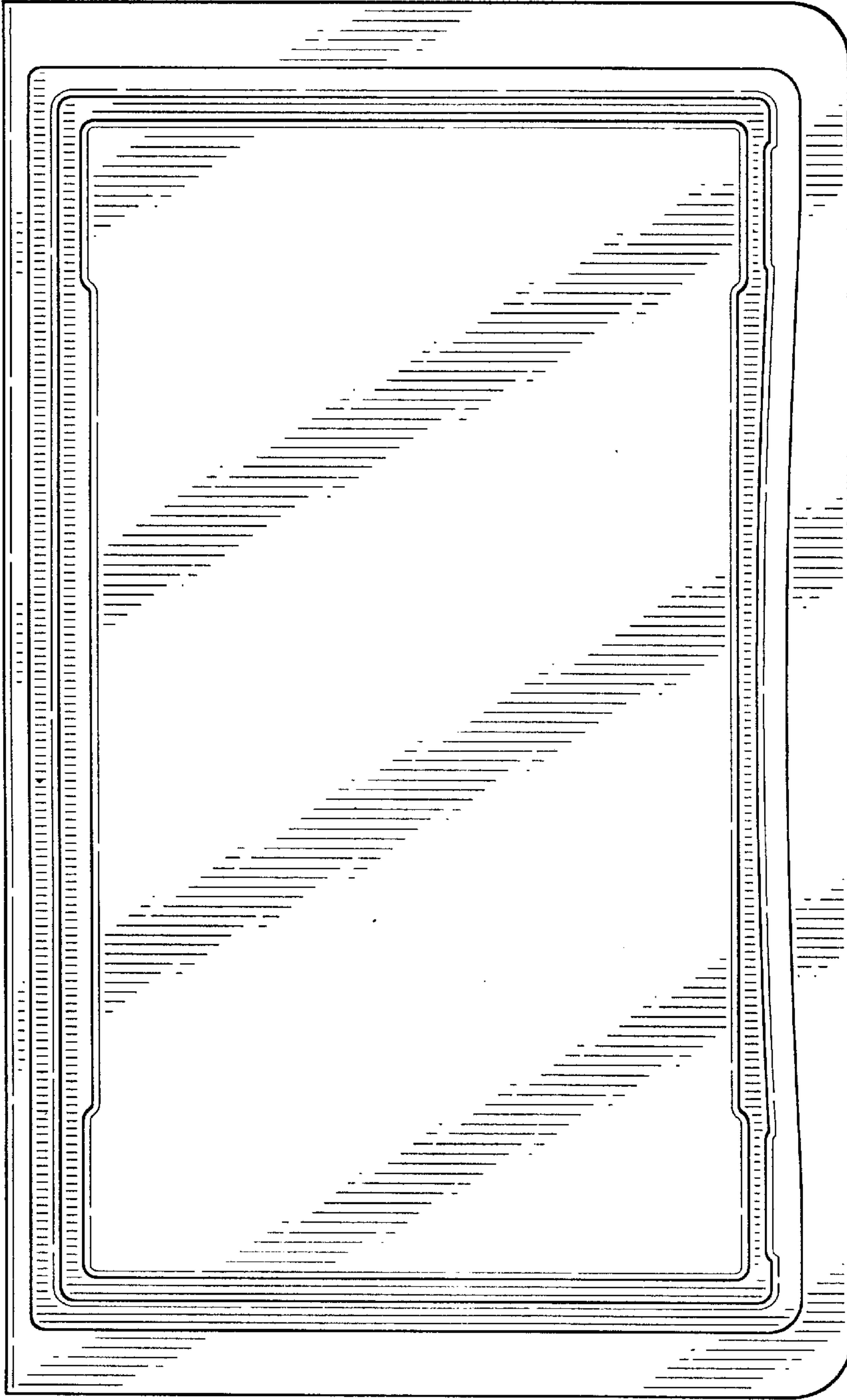


FIG-5

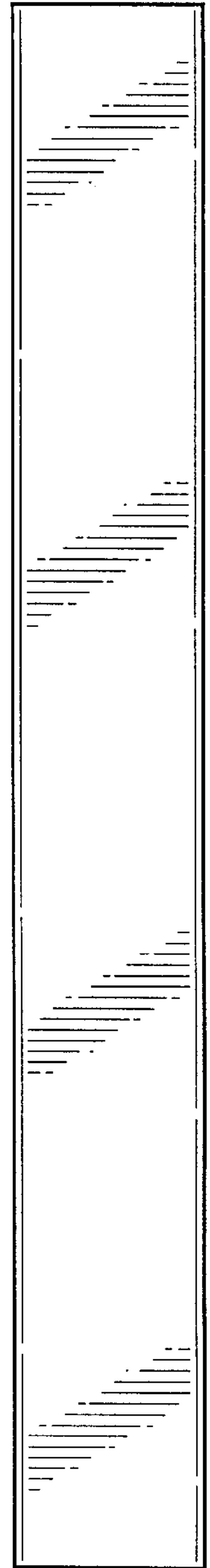


FIG-6



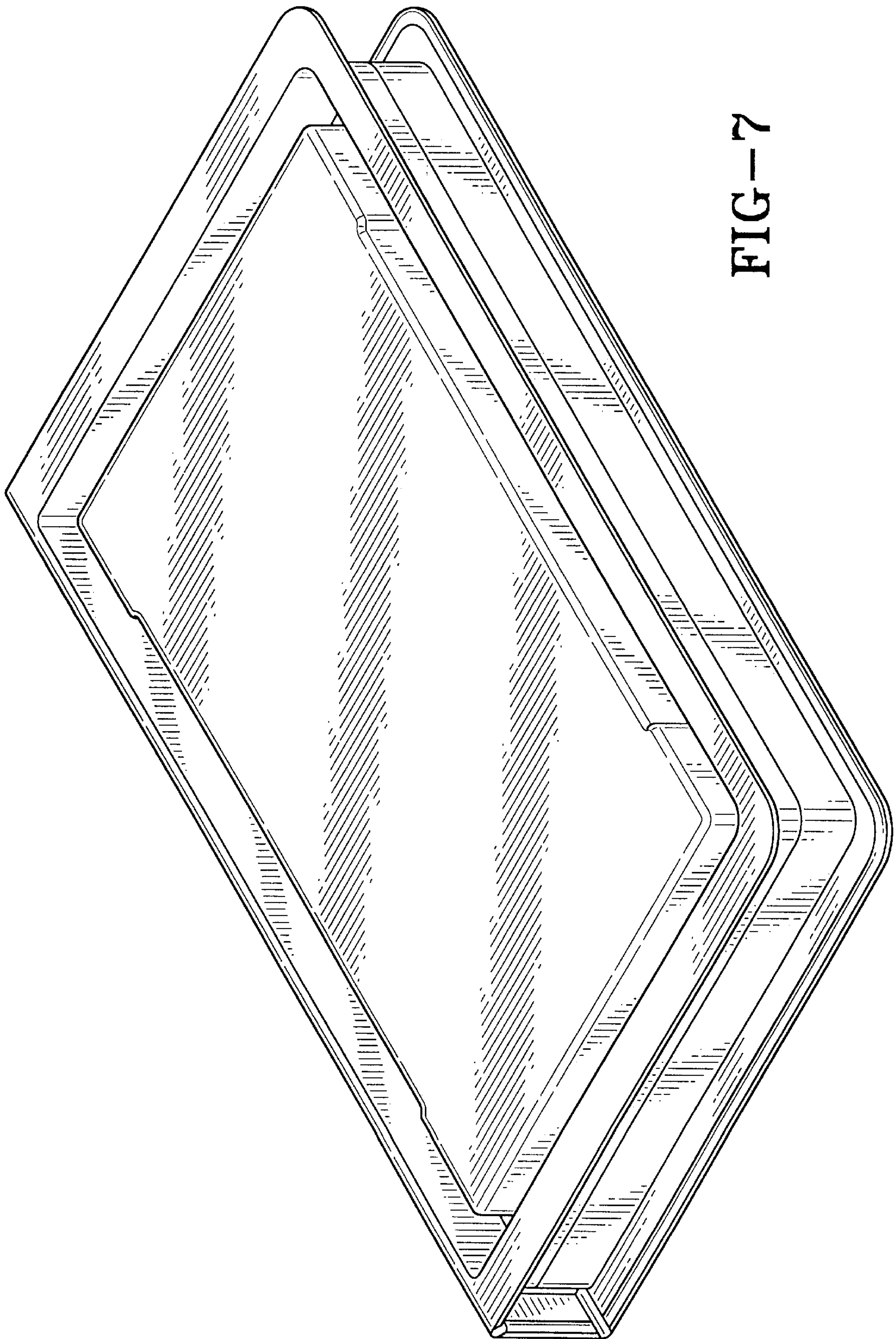


FIG-7

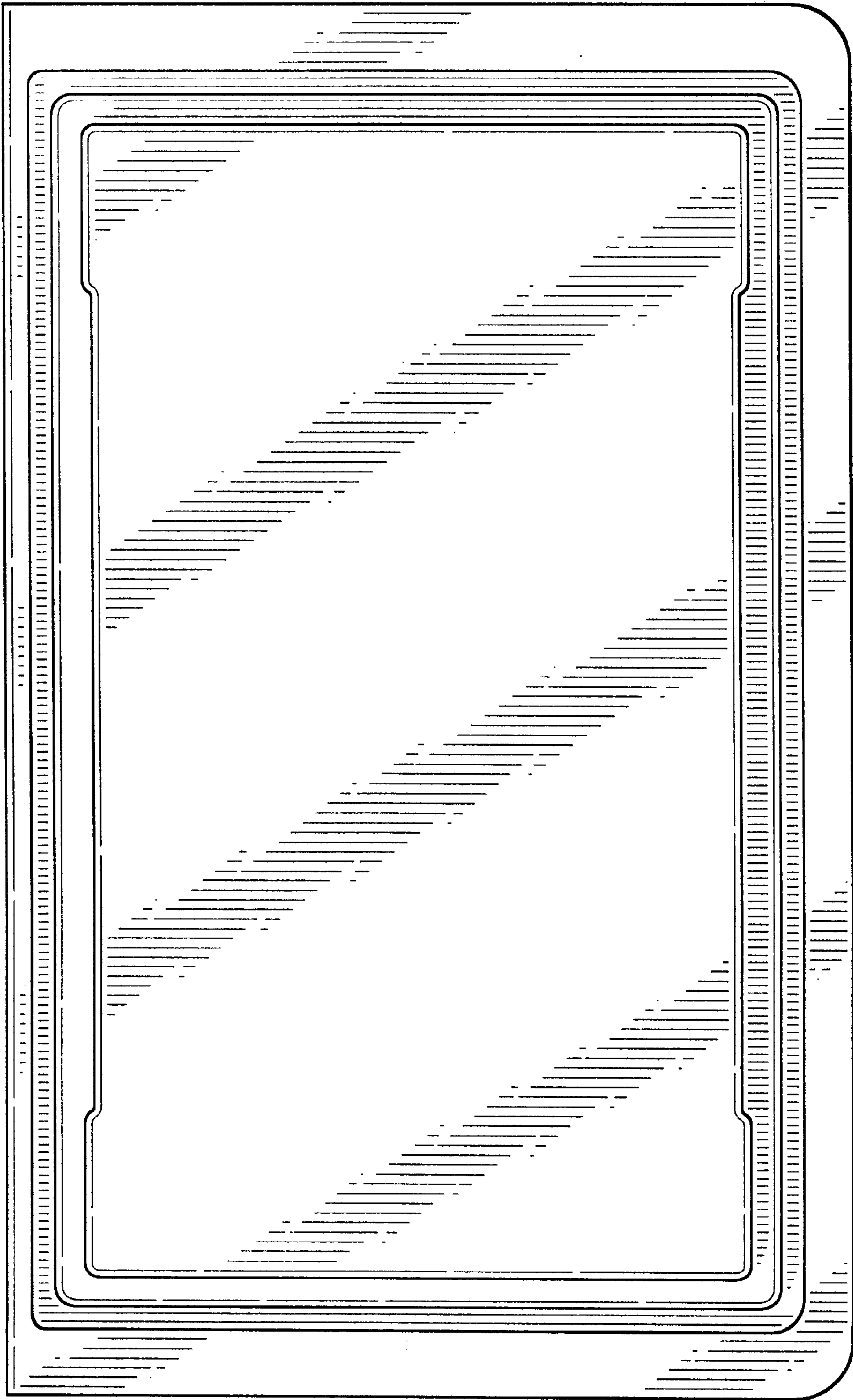


FIG-8



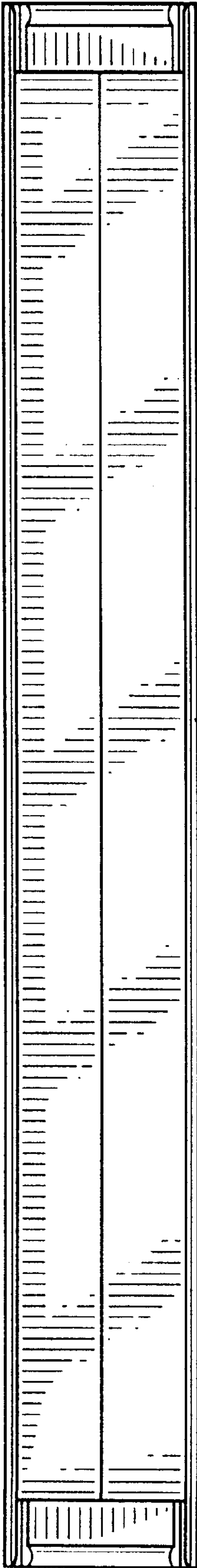


FIG-9

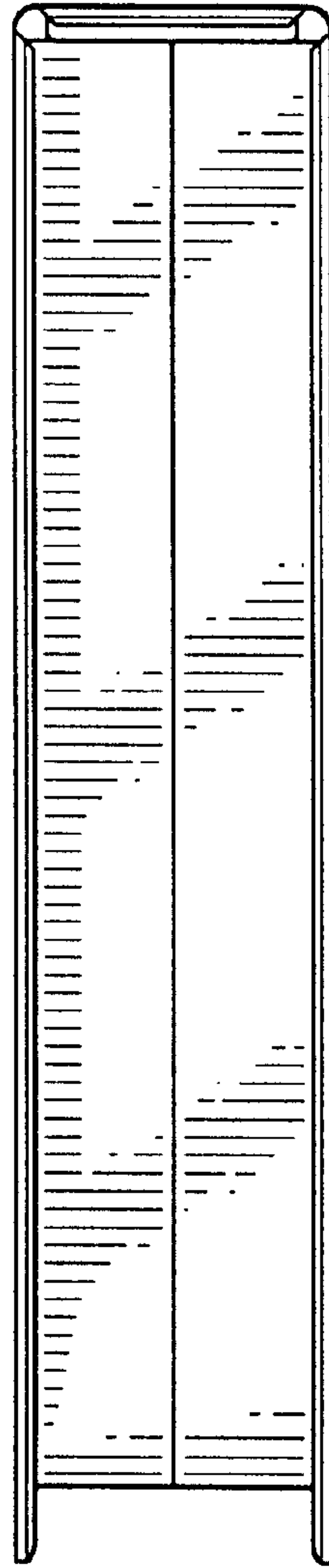


FIG-10

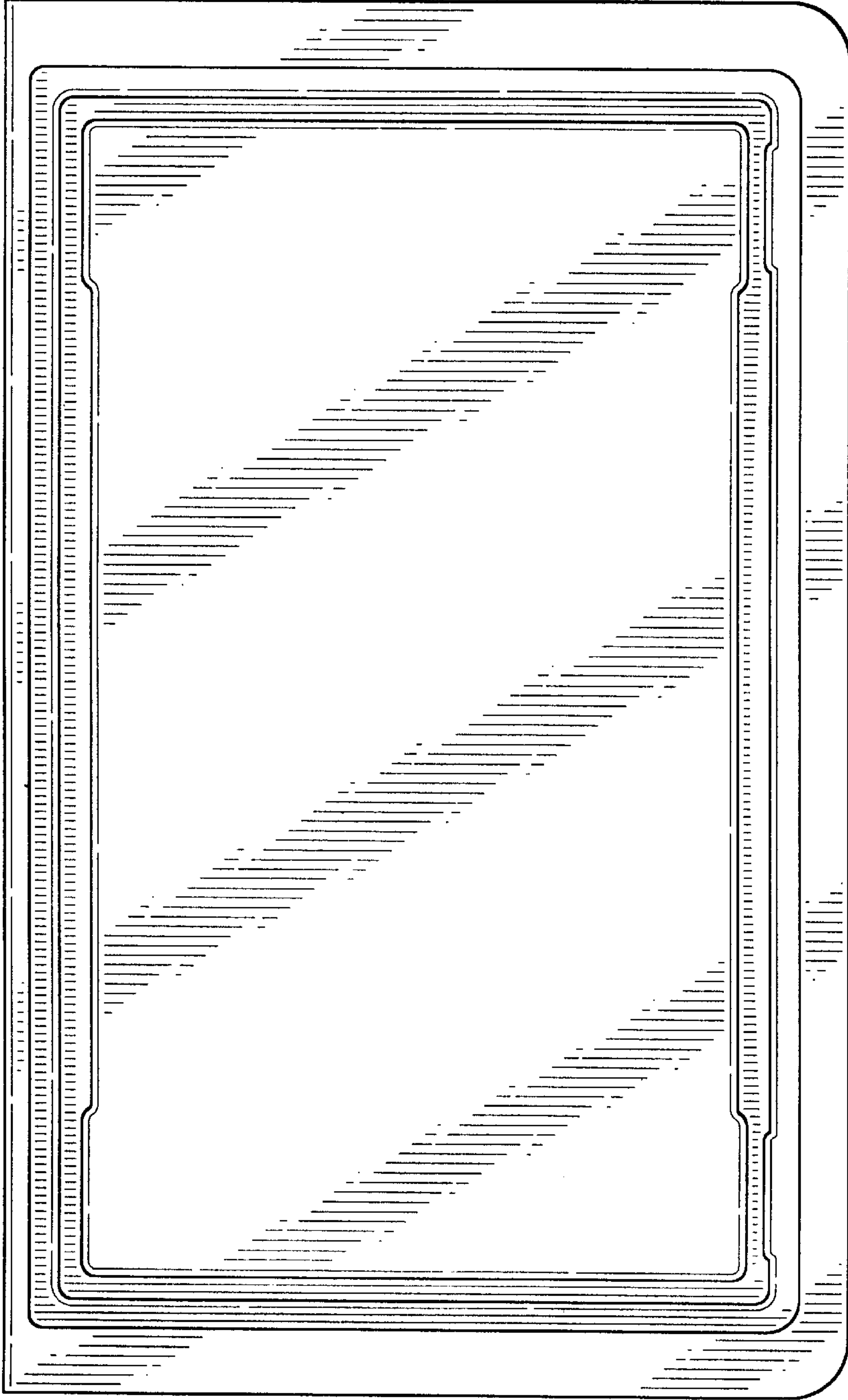


FIG-11

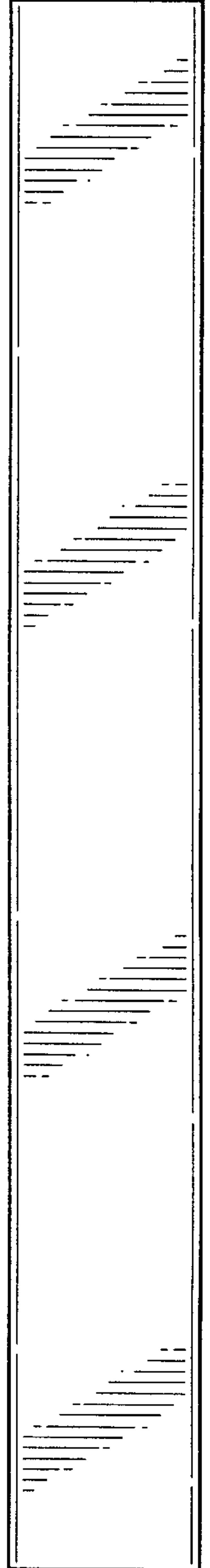


FIG-12

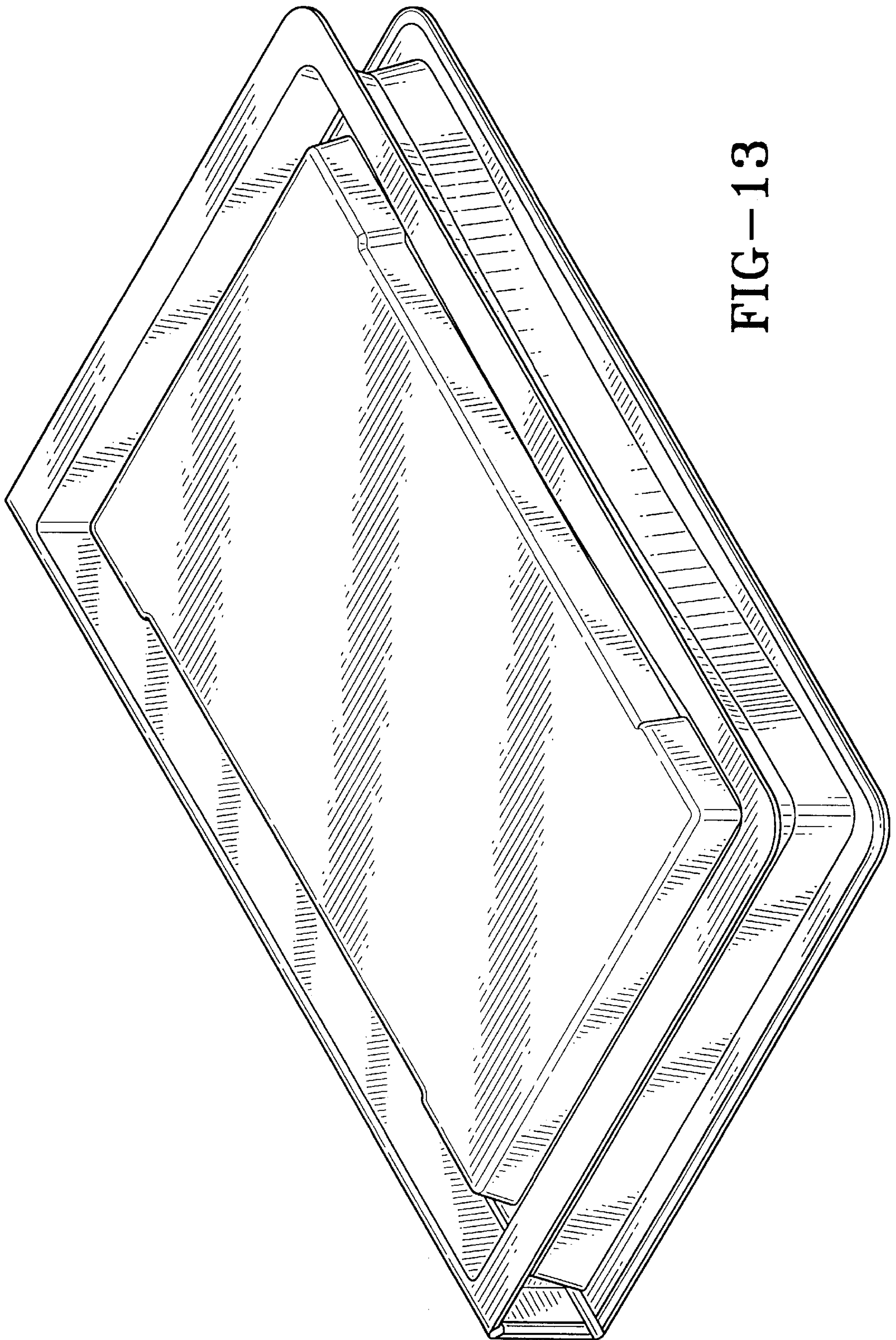


FIG-13



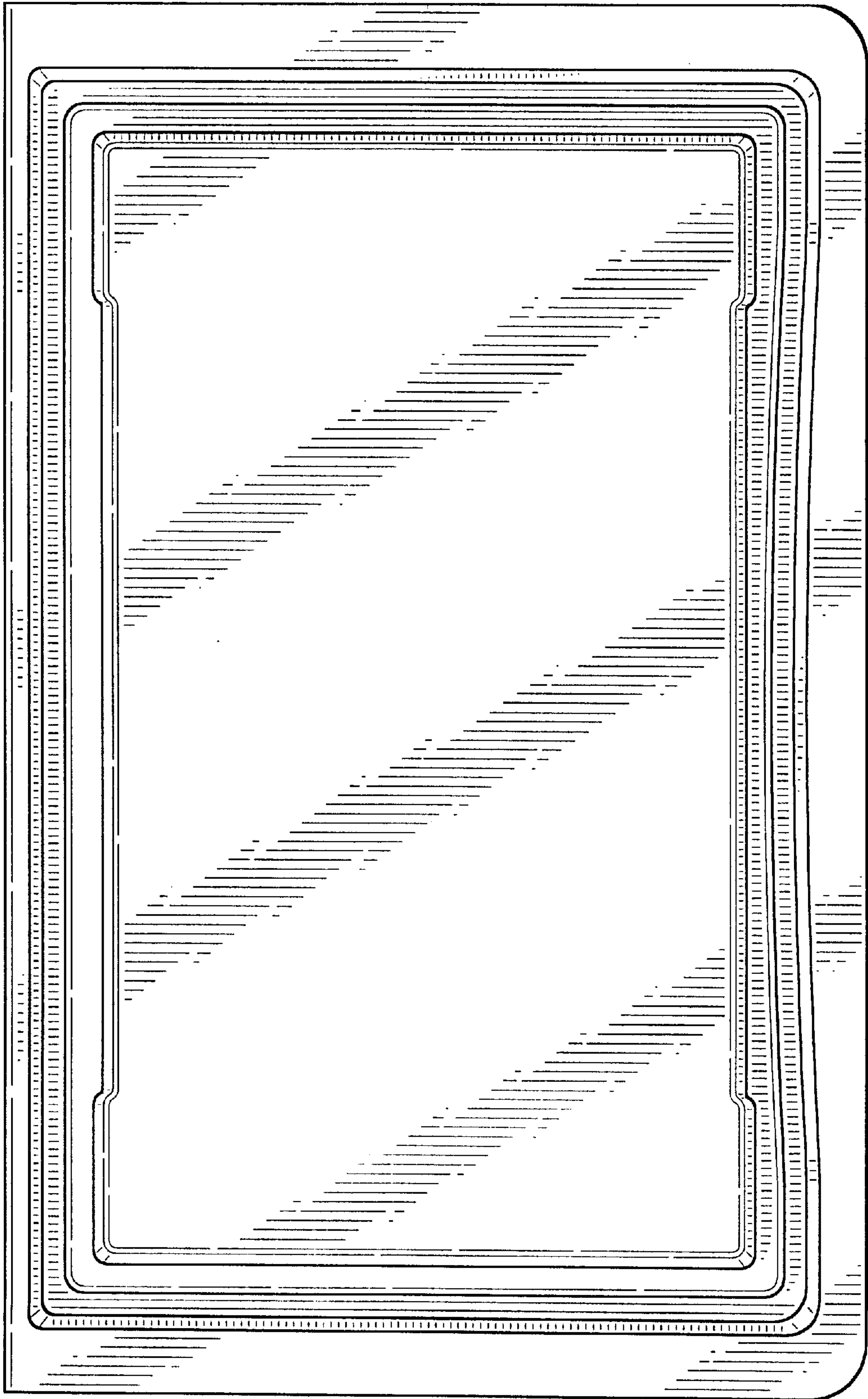


FIG-14

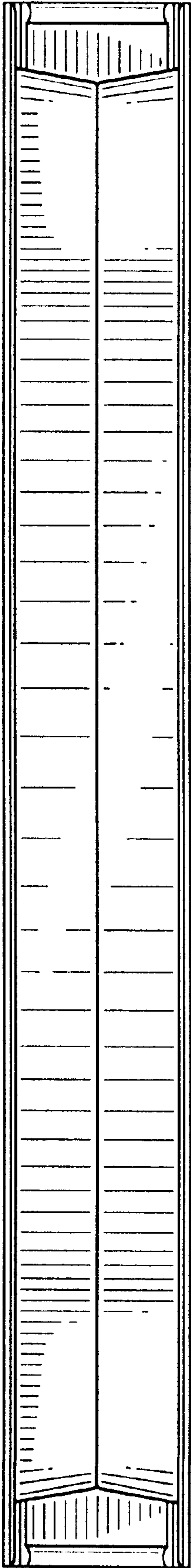


FIG-15

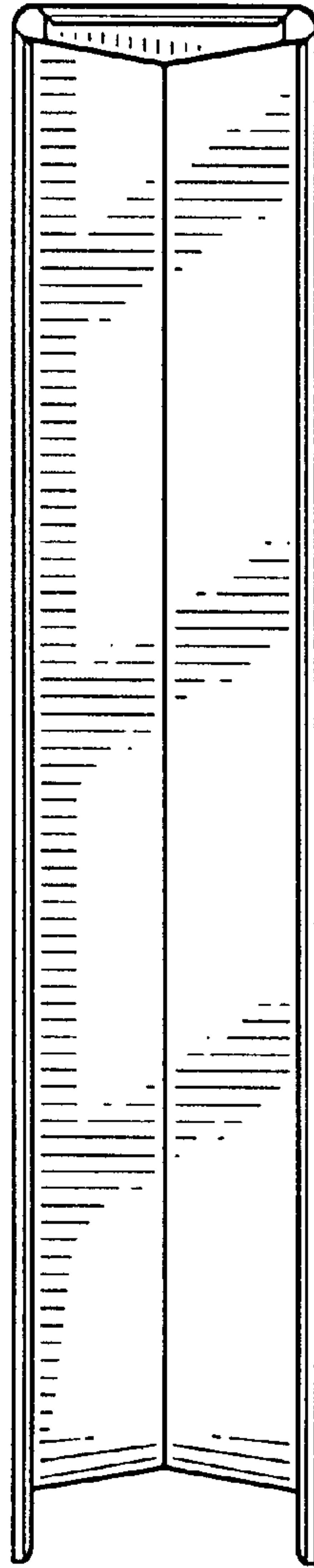


FIG-16

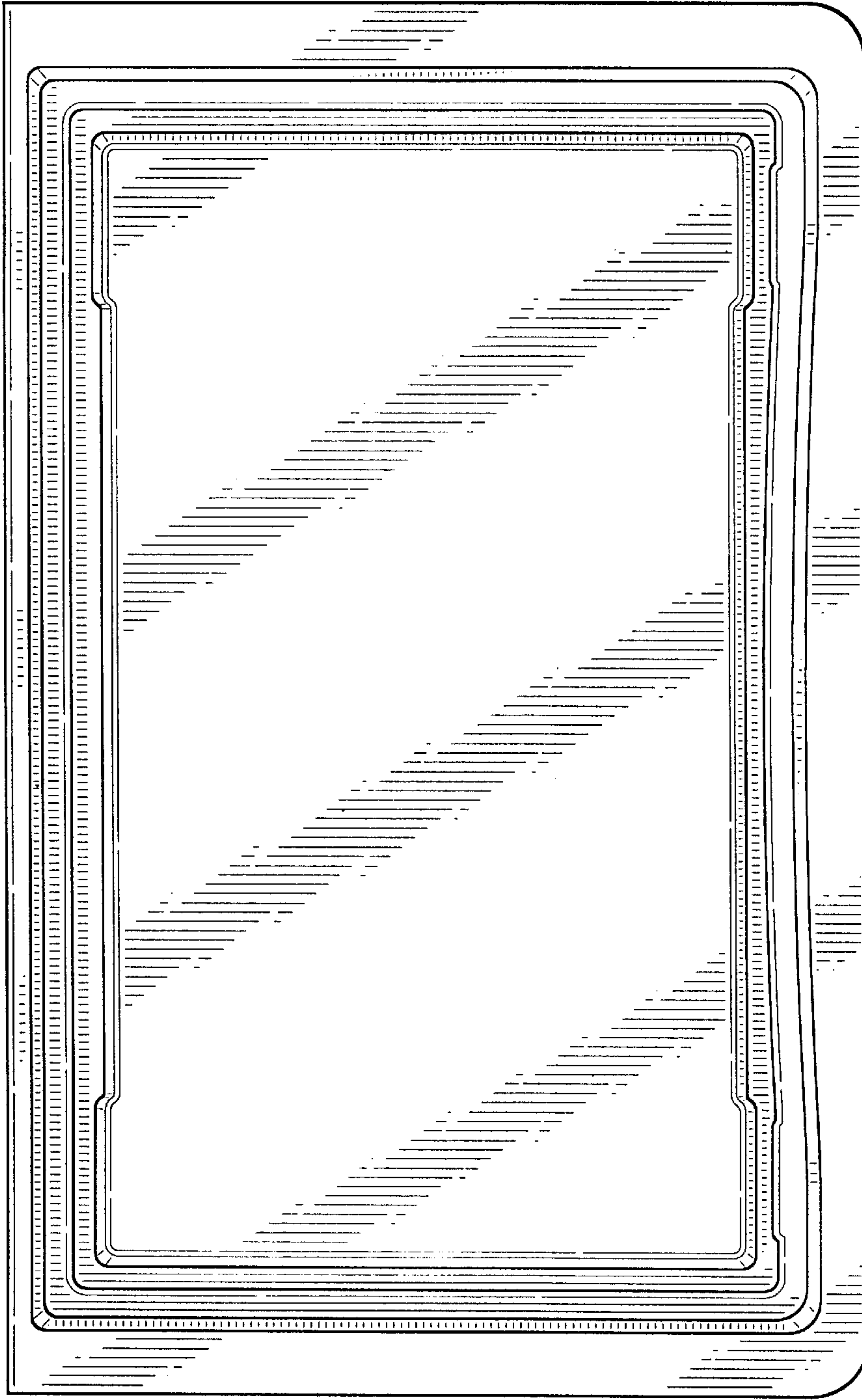


FIG-17

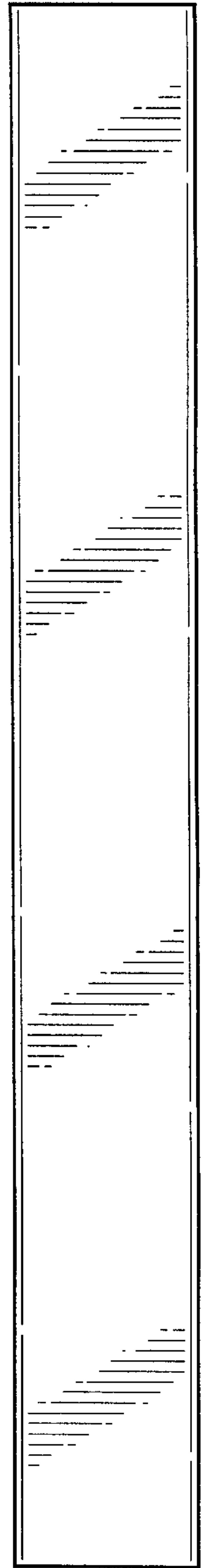


FIG-18



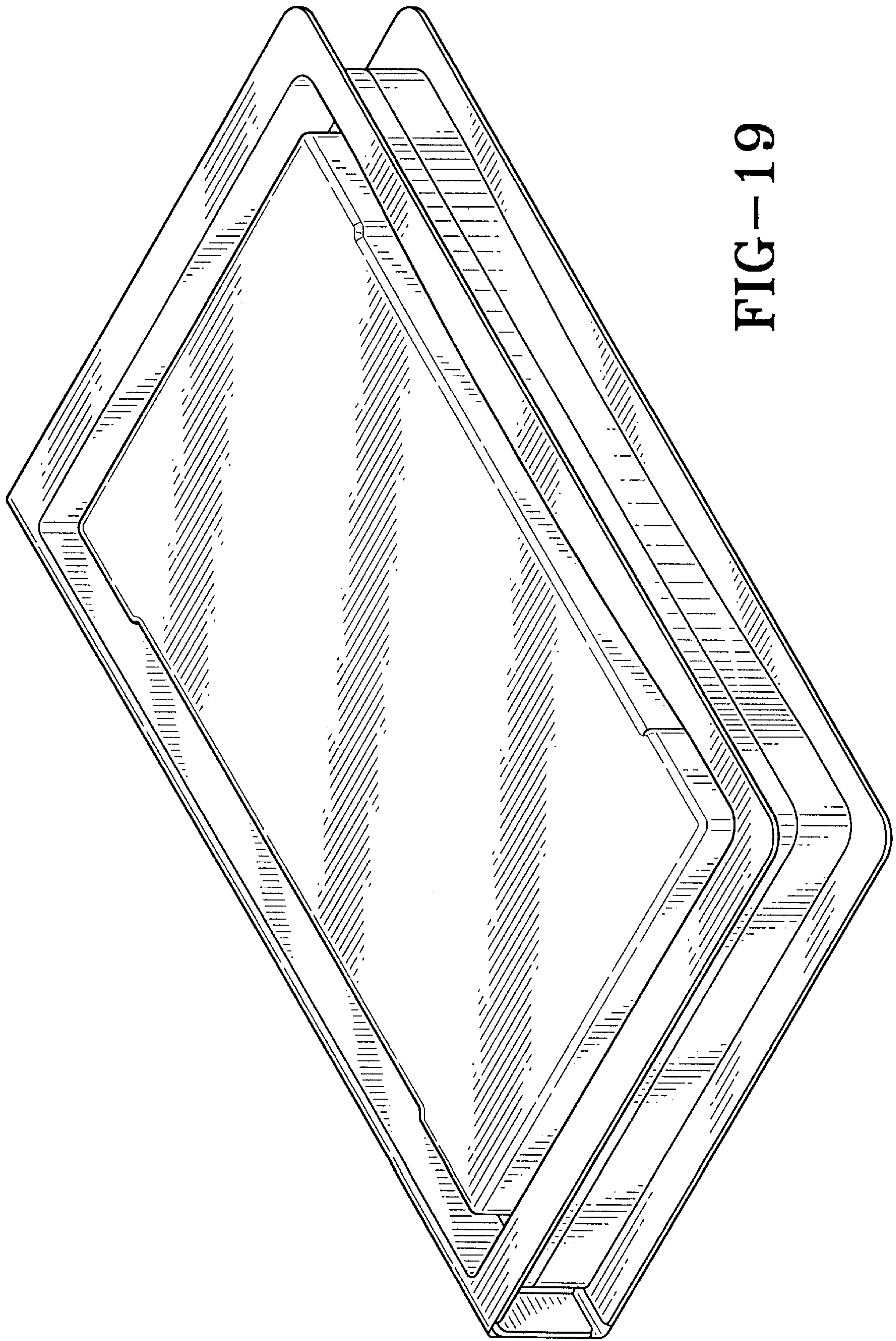


FIG-19

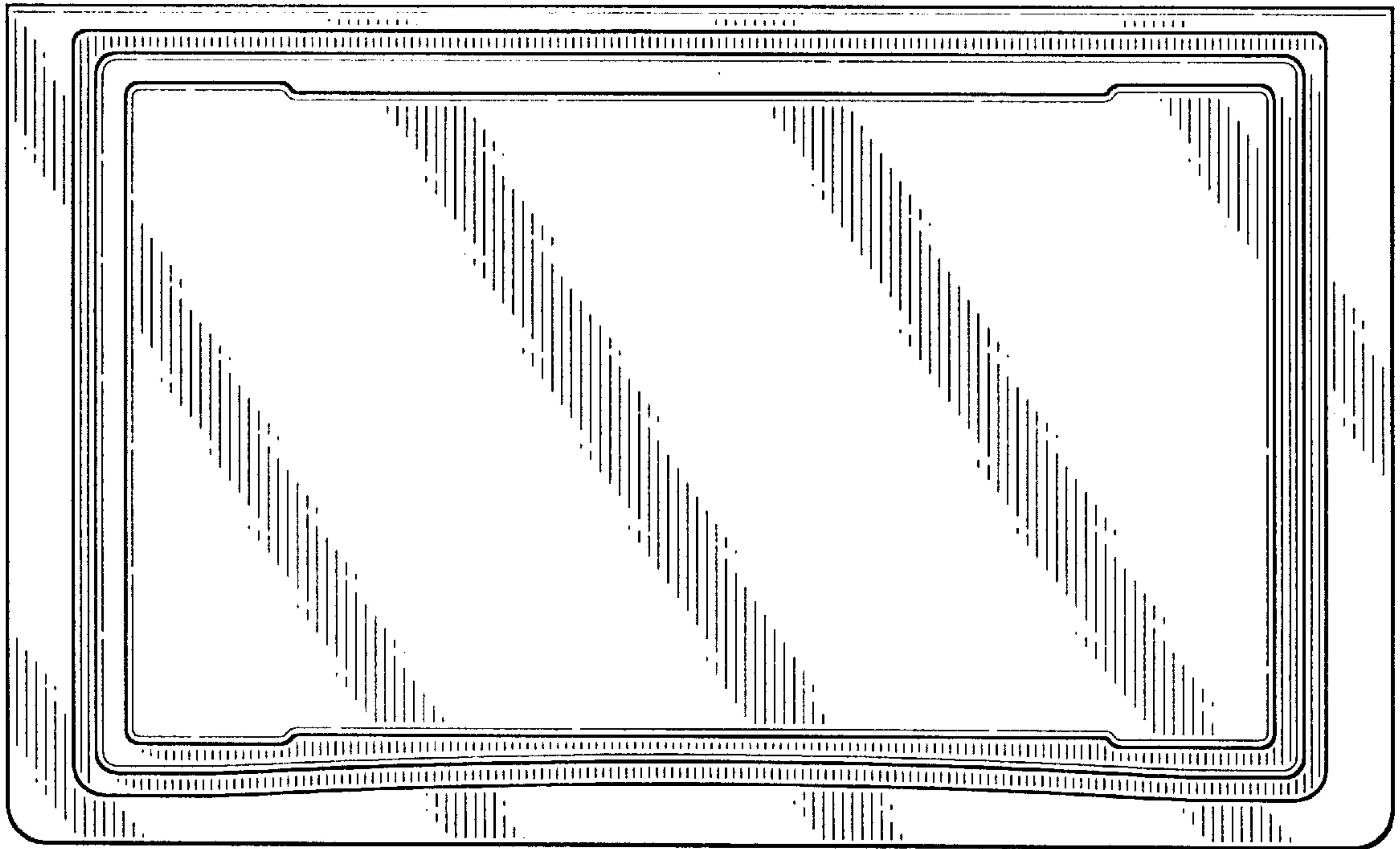


FIG-20

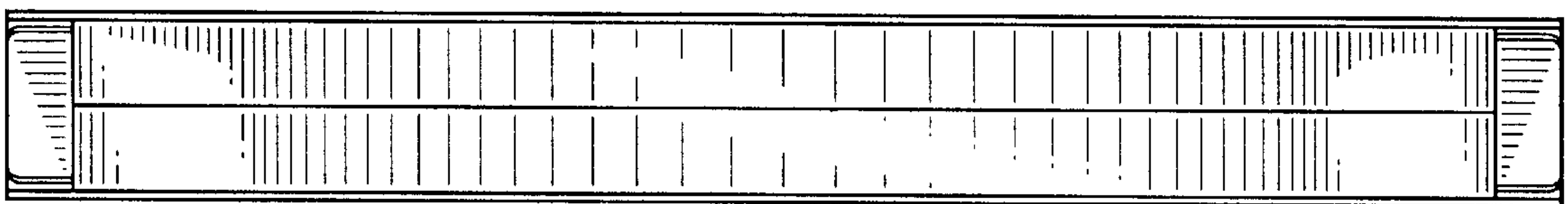


FIG-21

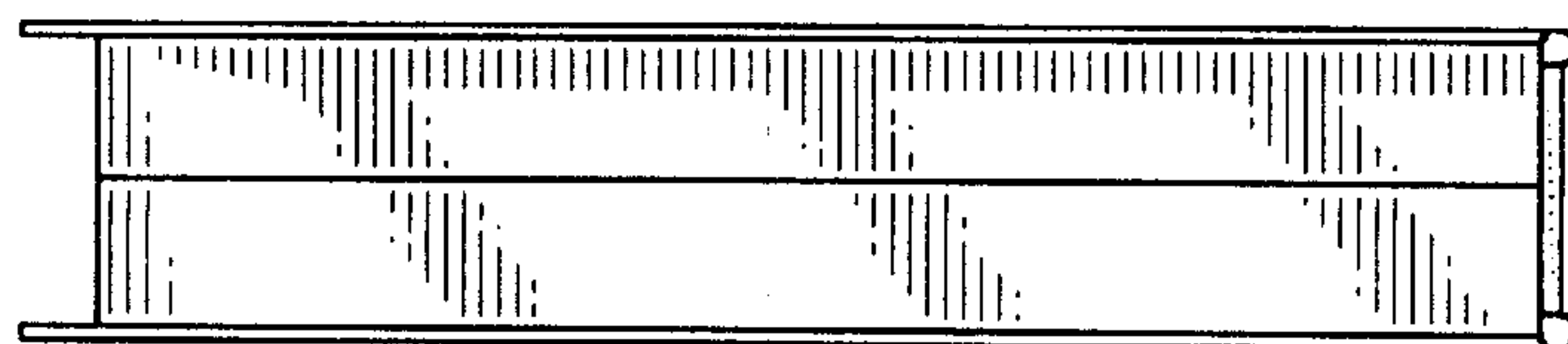


FIG-22

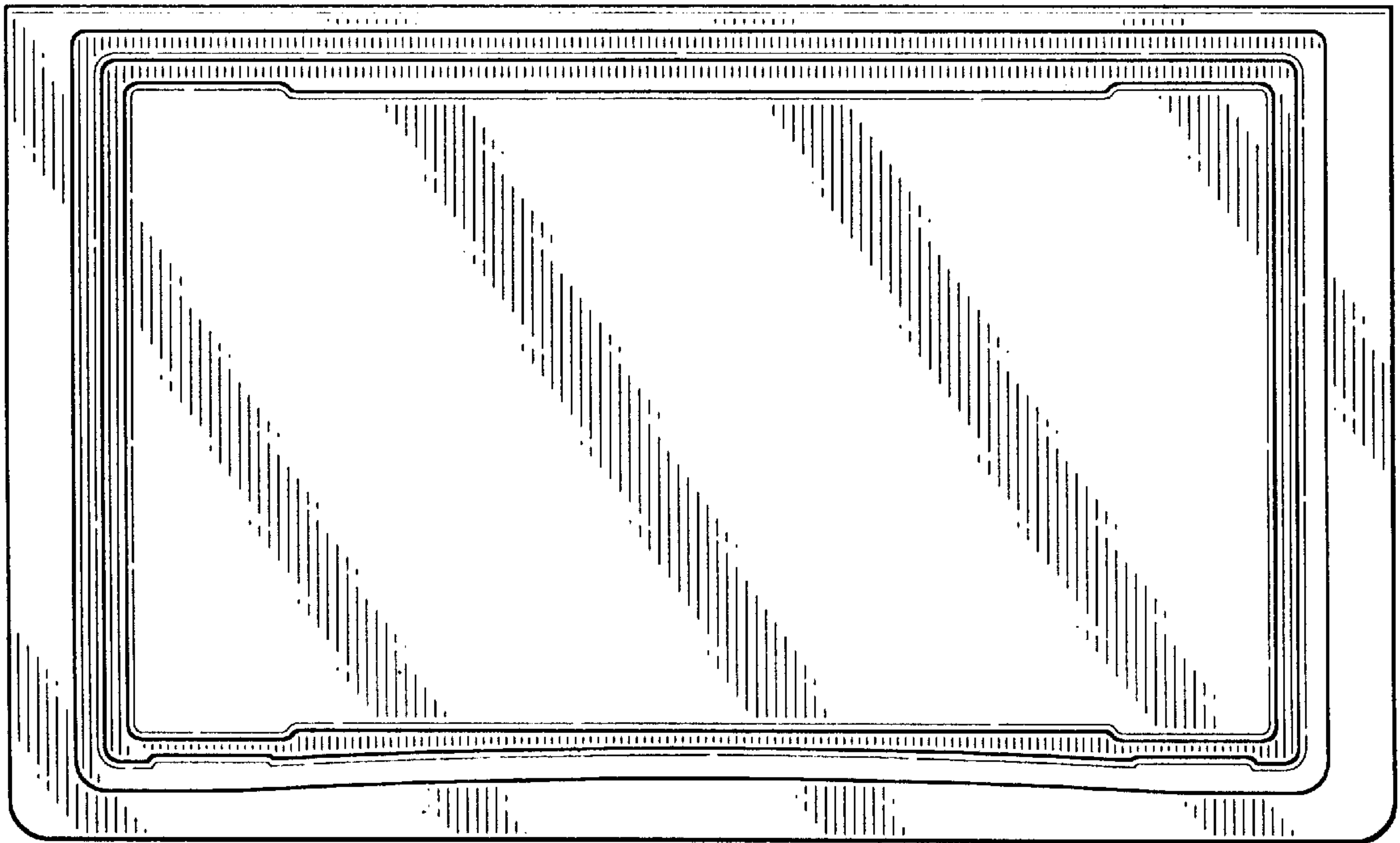


FIG-23

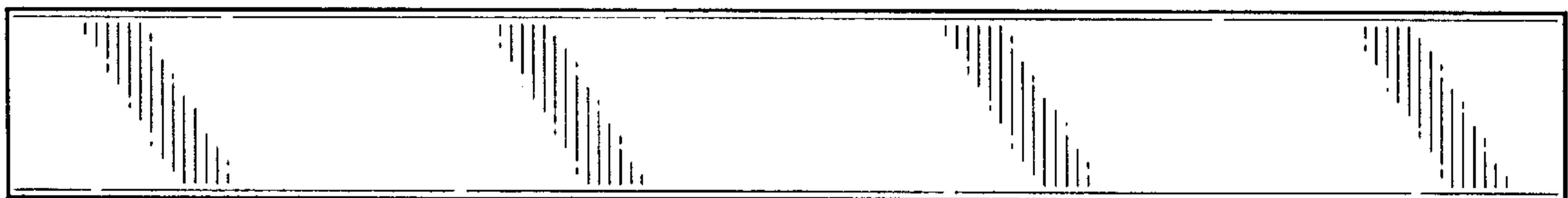


FIG-24