



US00D423271S

United States Patent [19]
Brock

[11] **Patent Number: Des. 423,271**

[45] **Date of Patent: ** Apr. 25, 2000**

[54] **PLACE MAT**

5,064,701 11/1991 Dowd D6/613 X
5,430,965 7/1995 Lai 40/597

[76] Inventor: **Deanne M. Brock**, 11128 Candlelight
La., Dallas, Tex. 75229

Primary Examiner—Sandra L. Morris
Assistant Examiner—Monica A. Weingart
Attorney, Agent, or Firm—Dennis T. Griggs

[**] Term: **14 Years**

[21] Appl. No.: **29/081,945**

[57] **CLAIM**

[22] Filed: **Jan. 12, 1998**

The ornamental design for a place mat, as shown and described.

[51] **LOC (6) Cl.** **06-13**

DESCRIPTION

[52] **U.S. Cl.** **D6/616; D6/610; D6/613**

[58] **Field of Search** D6/610, 612, 613,
D6/616, 511; 150/154, 158, 901; D20/42;
40/597

FIG. 1 is a perspective view of a place mat showing my new design;

FIG. 2 is a side elevational view thereof;

FIG. 3 is a front elevational view thereof;

FIG. 4 is a rear elevational view thereof;

FIG. 5 is a top plan view thereof; and,

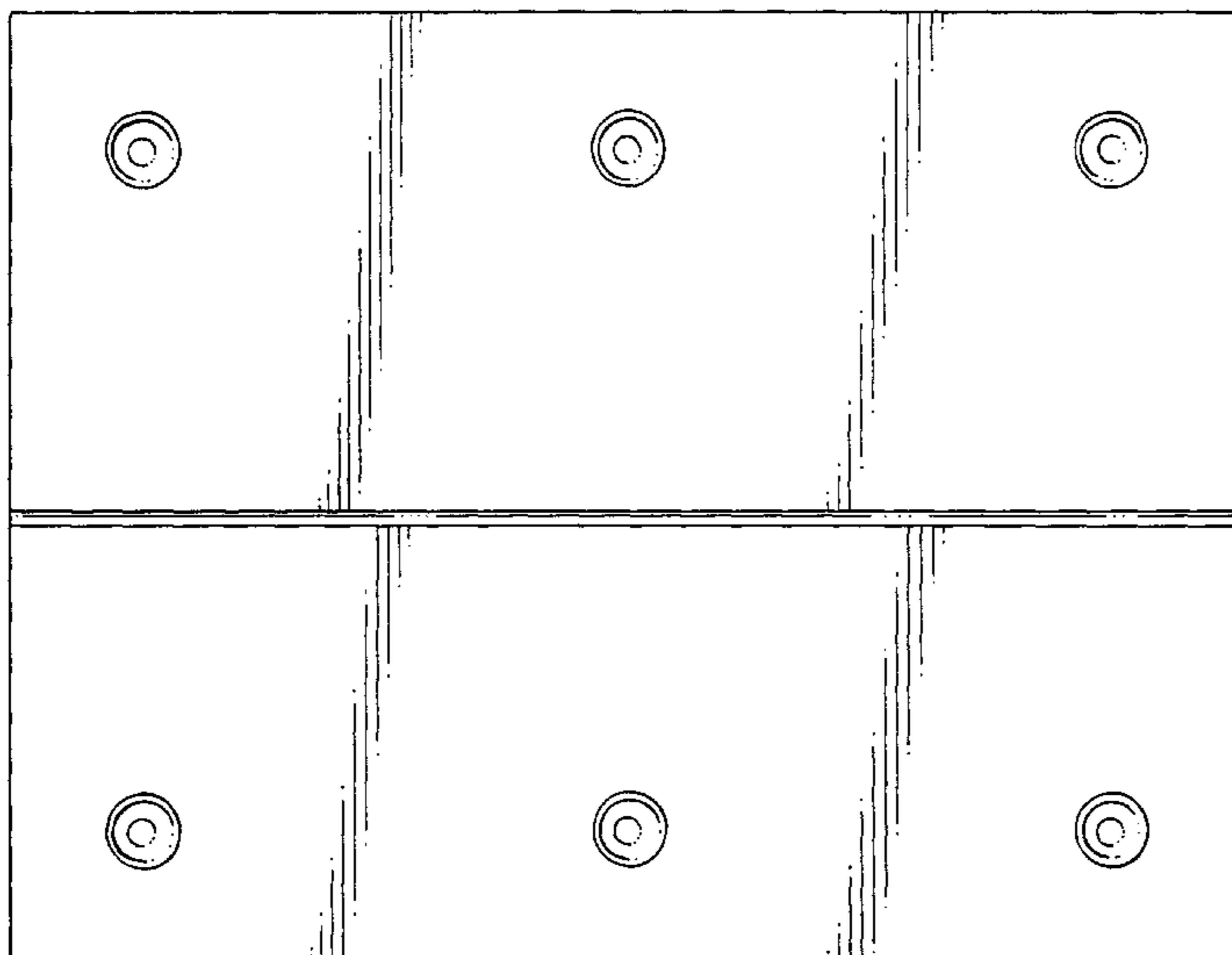
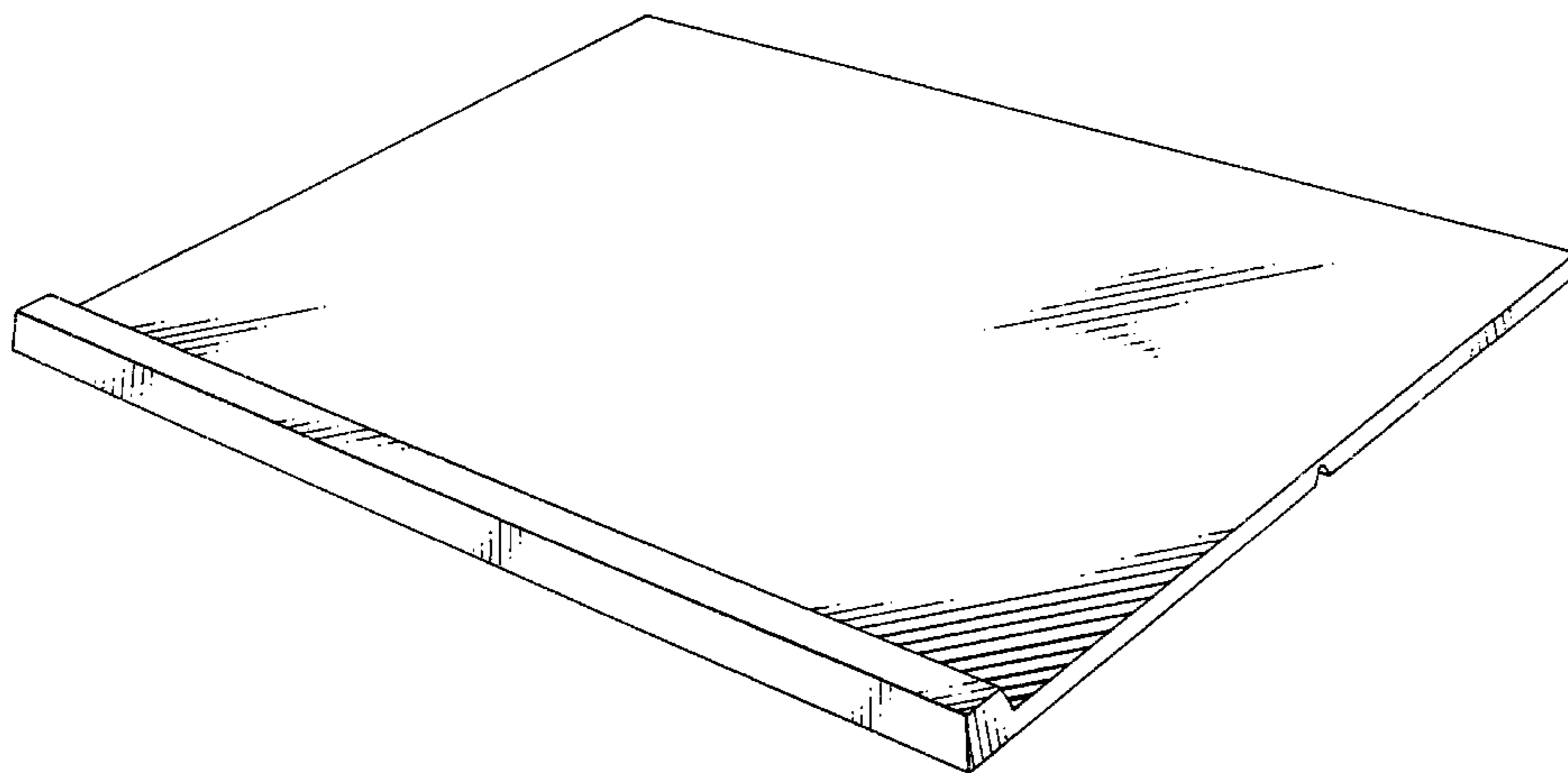
FIG. 6 is a bottom plan view thereof.

[56] **References Cited**

U.S. PATENT DOCUMENTS

D. 173,154 10/1954 Harmon D6/511 X
D. 264,790 6/1982 Kamel D6/613
D. 273,070 3/1984 Welsch et al. D6/511

1 Claim, 4 Drawing Sheets



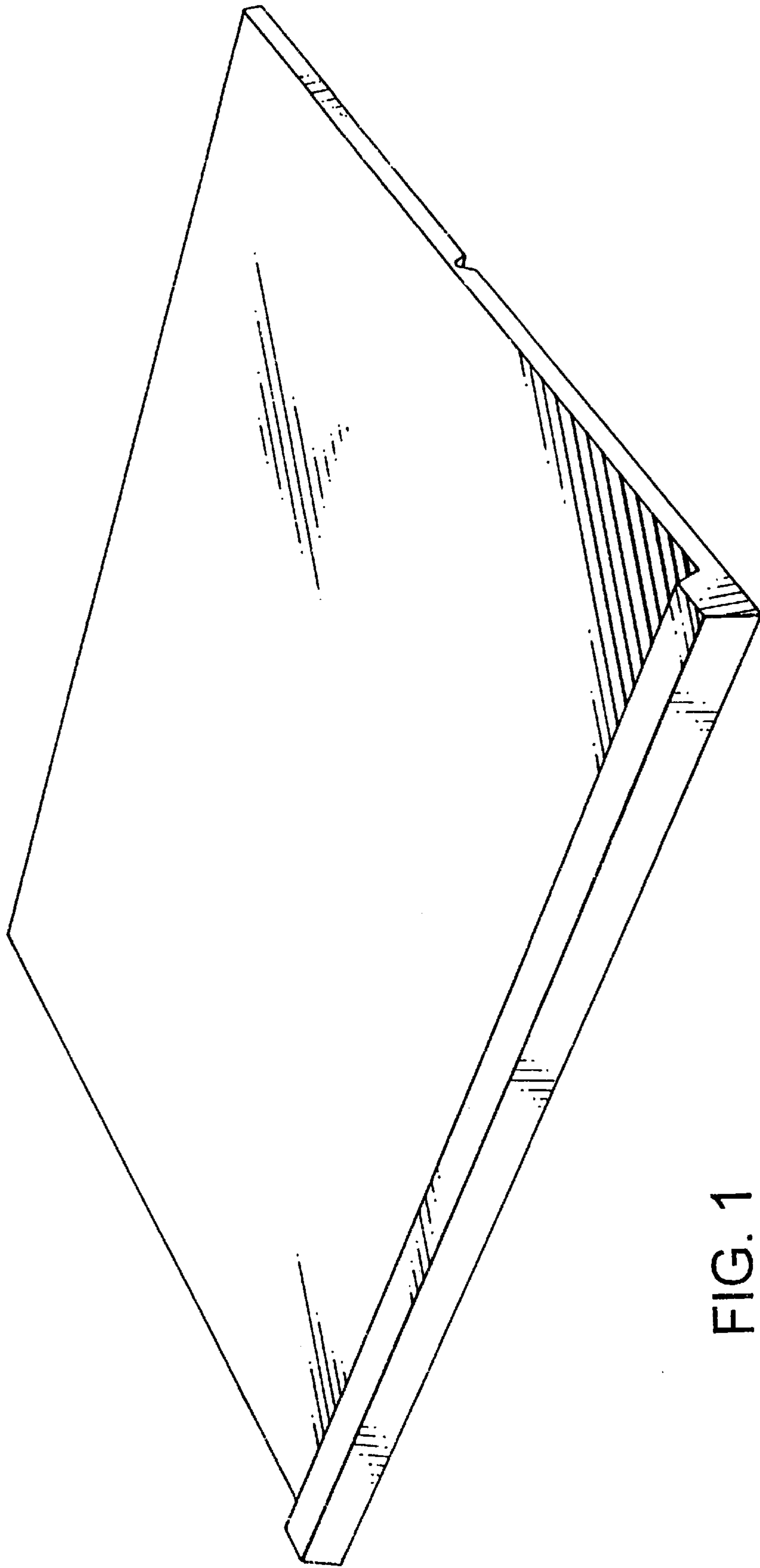


FIG. 1

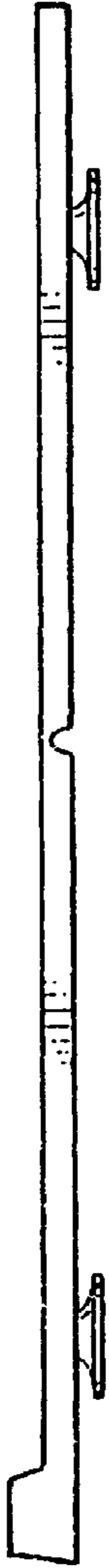


FIG. 2



FIG. 3



FIG. 4

FIG. 5

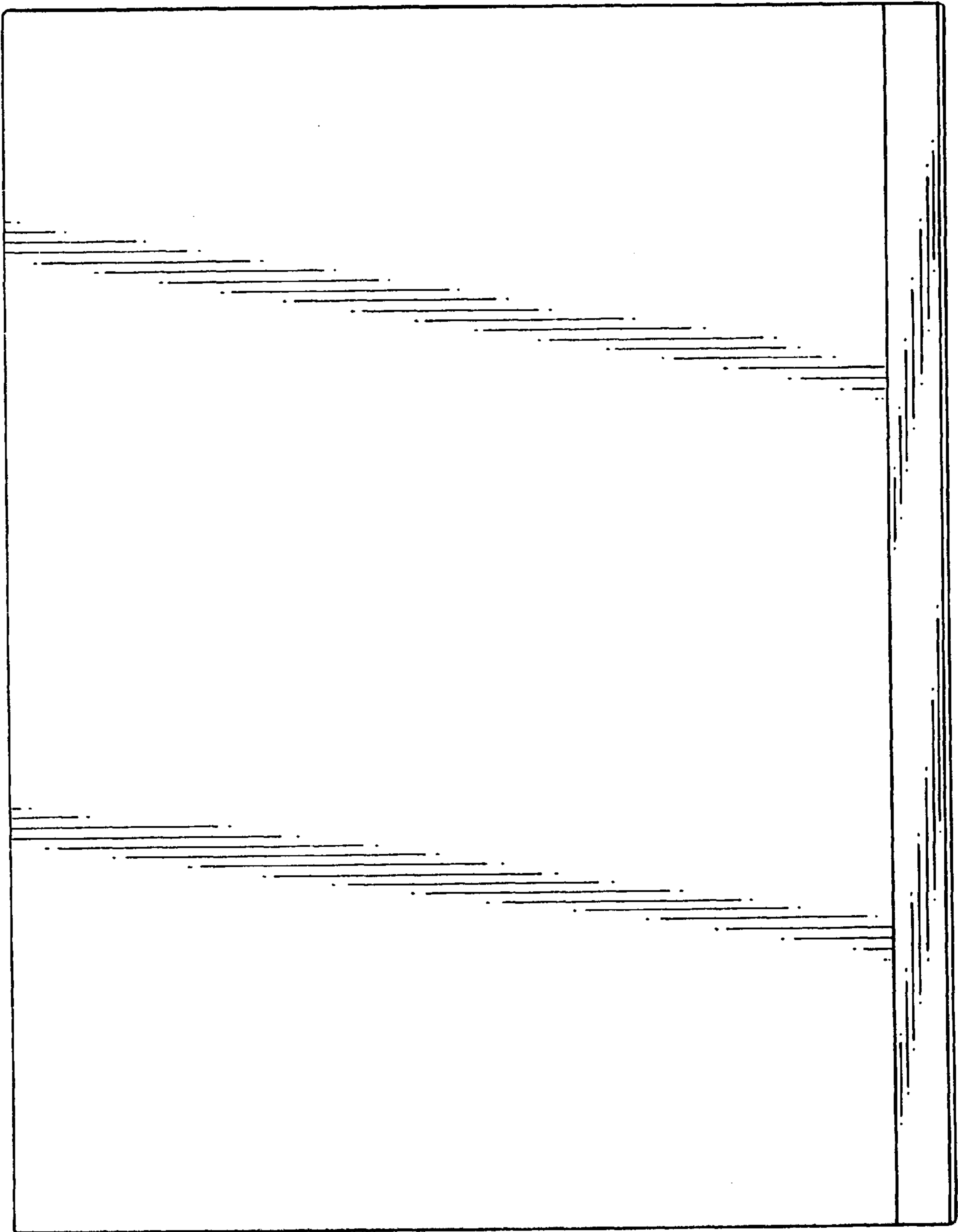


FIG. 6

