



US00D423265S

United States Patent [19]

Azo

[11] **Patent Number: Des. 423,265**

[45] **Date of Patent: ** Apr. 25, 2000**

[54] **COMBINATION TOOTHBRUSH AND BOTTLE HOLDER**

[76] Inventor: **Nabil Azo**, 6114 No. Sacramento, Chicago, Ill. 60659

[**] Term: **14 Years**

[21] Appl. No.: **29/103,617**

[22] Filed: **Apr. 19, 1999**

[51] **LOC (6) Cl.** **07-07**

[52] **U.S. Cl.** **D6/528**

[58] **Field of Search** D6/524, 527-531, D6/534, 535; 211/13.1, 65, 69.1, 71, 74, 85.4, 85.13, 88, 89

[56] **References Cited**

U.S. PATENT DOCUMENTS

- D. 200,290 2/1965 Turner D6/528
- D. 357,376 4/1995 Cecula D6/531

- D. 389,686 1/1998 Drage D6/528
- D. 407,250 3/1999 Avery et al. D6/528
- D. 407,756 4/1999 Avery et al. D6/528 X

Primary Examiner—Brian N. Vinson
Attorney, Agent, or Firm—Knechtel, Demeur & Samlan

[57] **CLAIM**

I claim the ornamental design for a combination toothbrush and bottle holder, as shown and described.

DESCRIPTION

FIG. 1 is a perspective view for a toothbrush holder showing my new design thereof;
FIG. 2 is a front elevational view thereof with the rear elevational view being a mirror image;
FIG. 3 is a right side elevational view thereof;
FIG. 4 is a left side elevational view thereof;
FIG. 5 is a top plan view thereof; and,
FIG. 6 is a bottom view thereof.

1 Claim, 1 Drawing Sheet

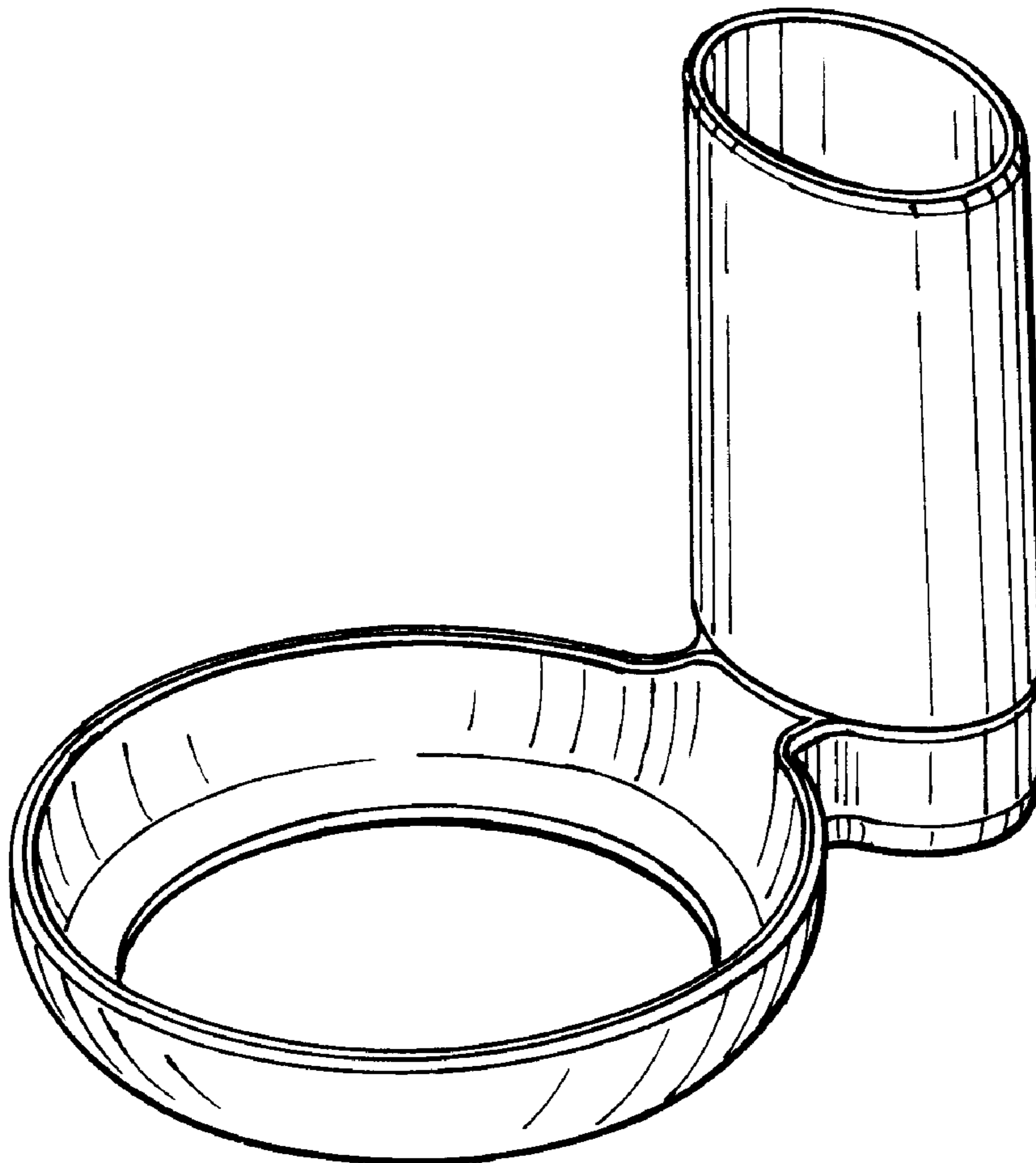


FIG.1

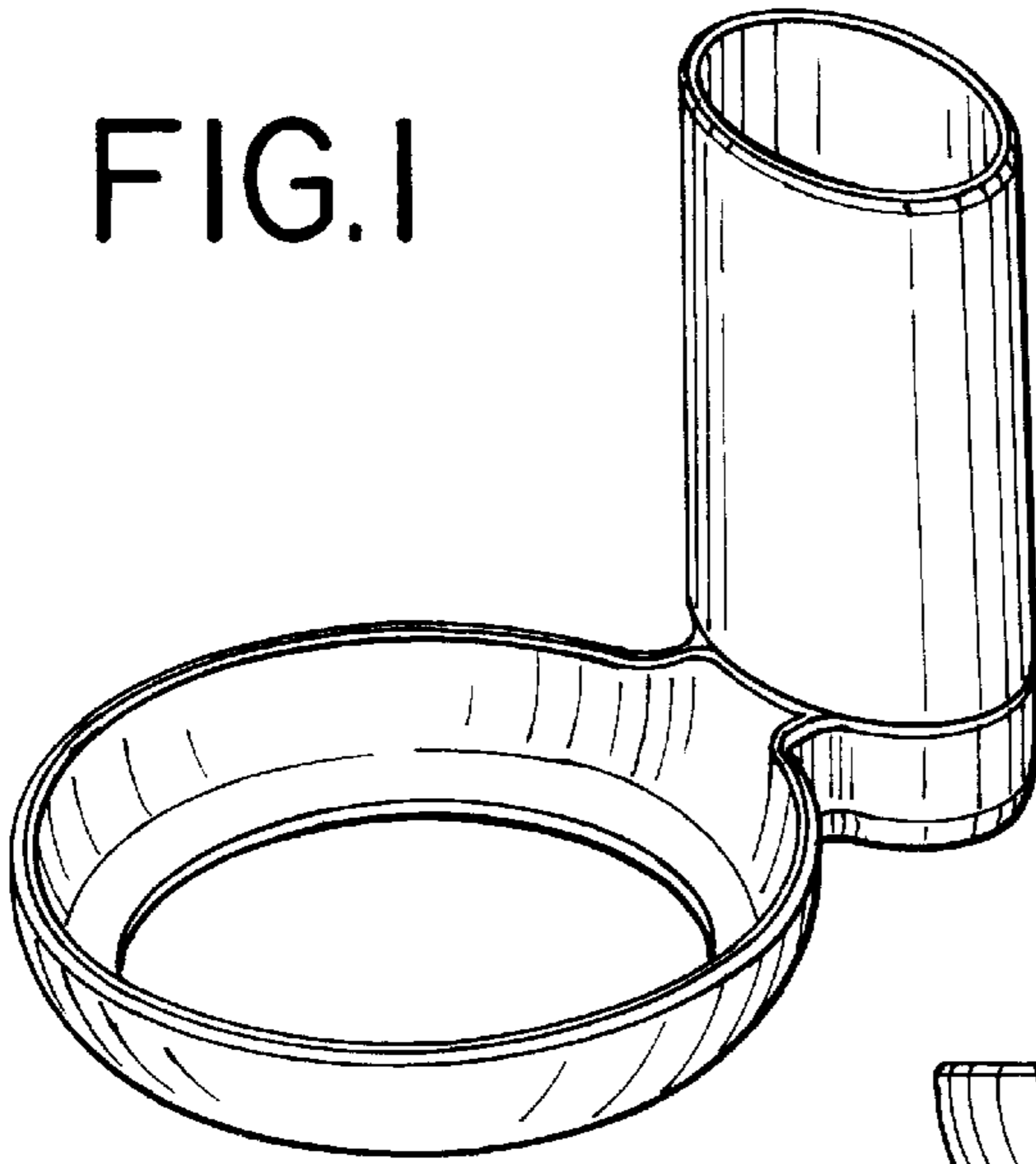


FIG.2

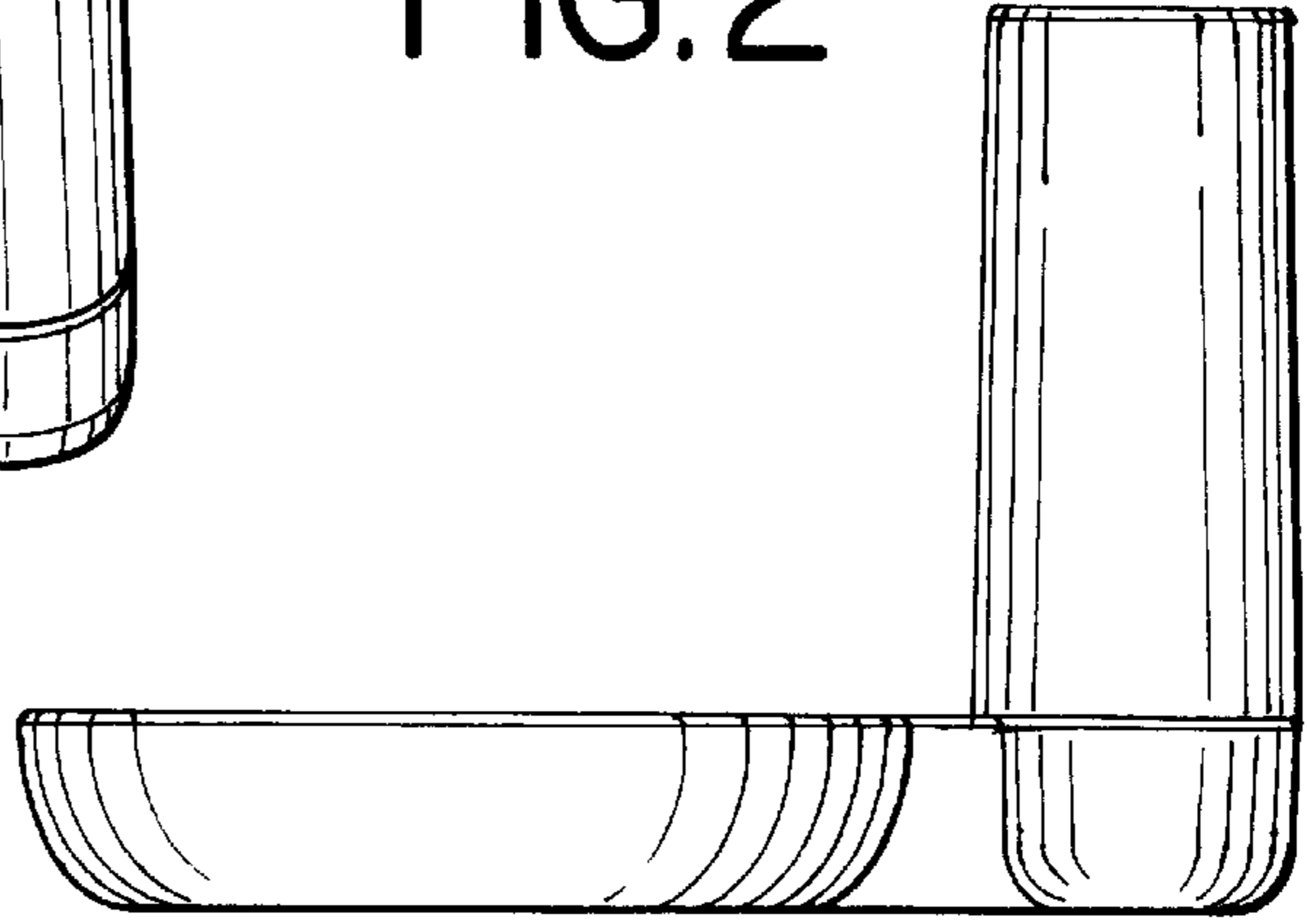


FIG.3

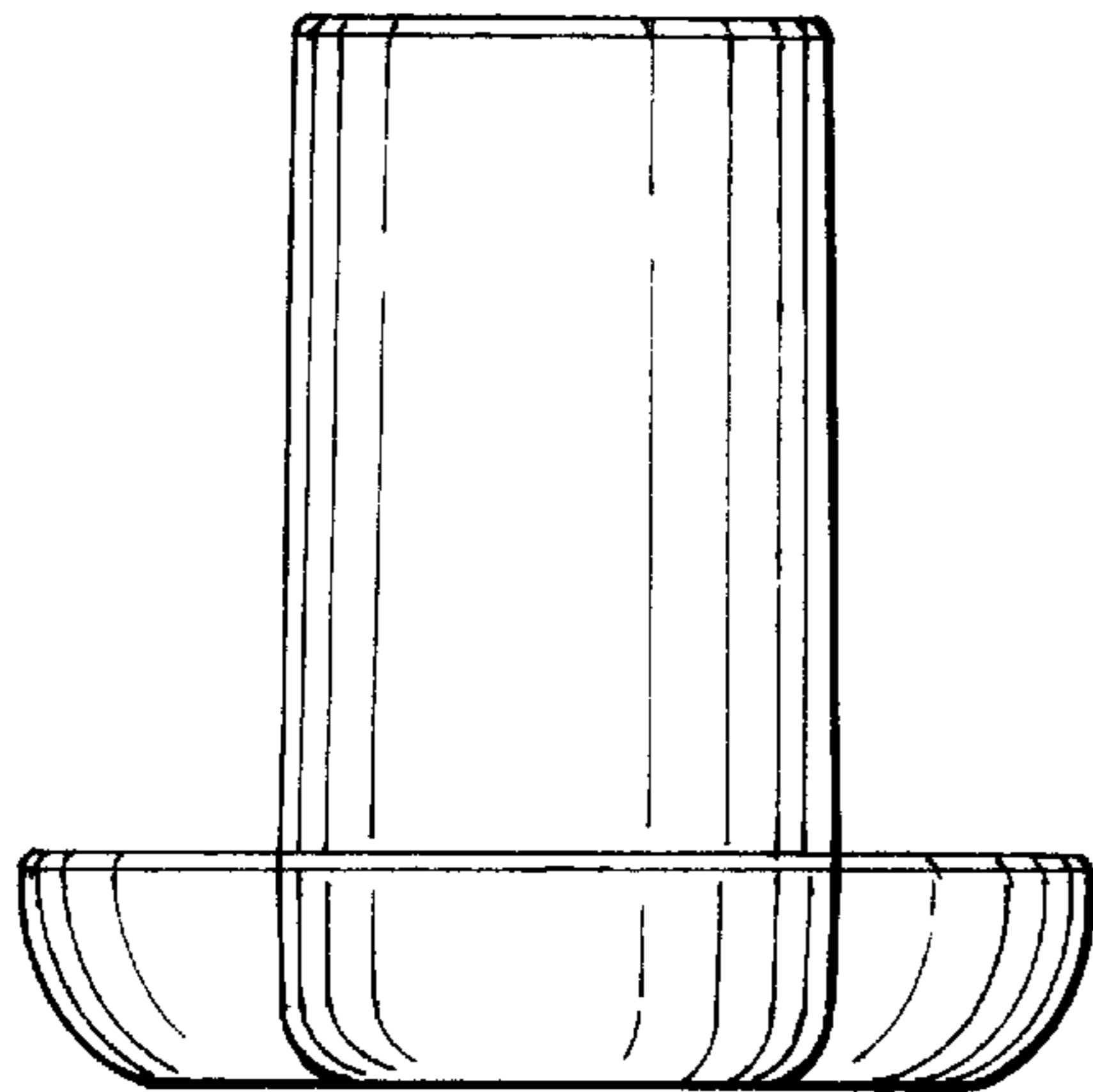


FIG.5

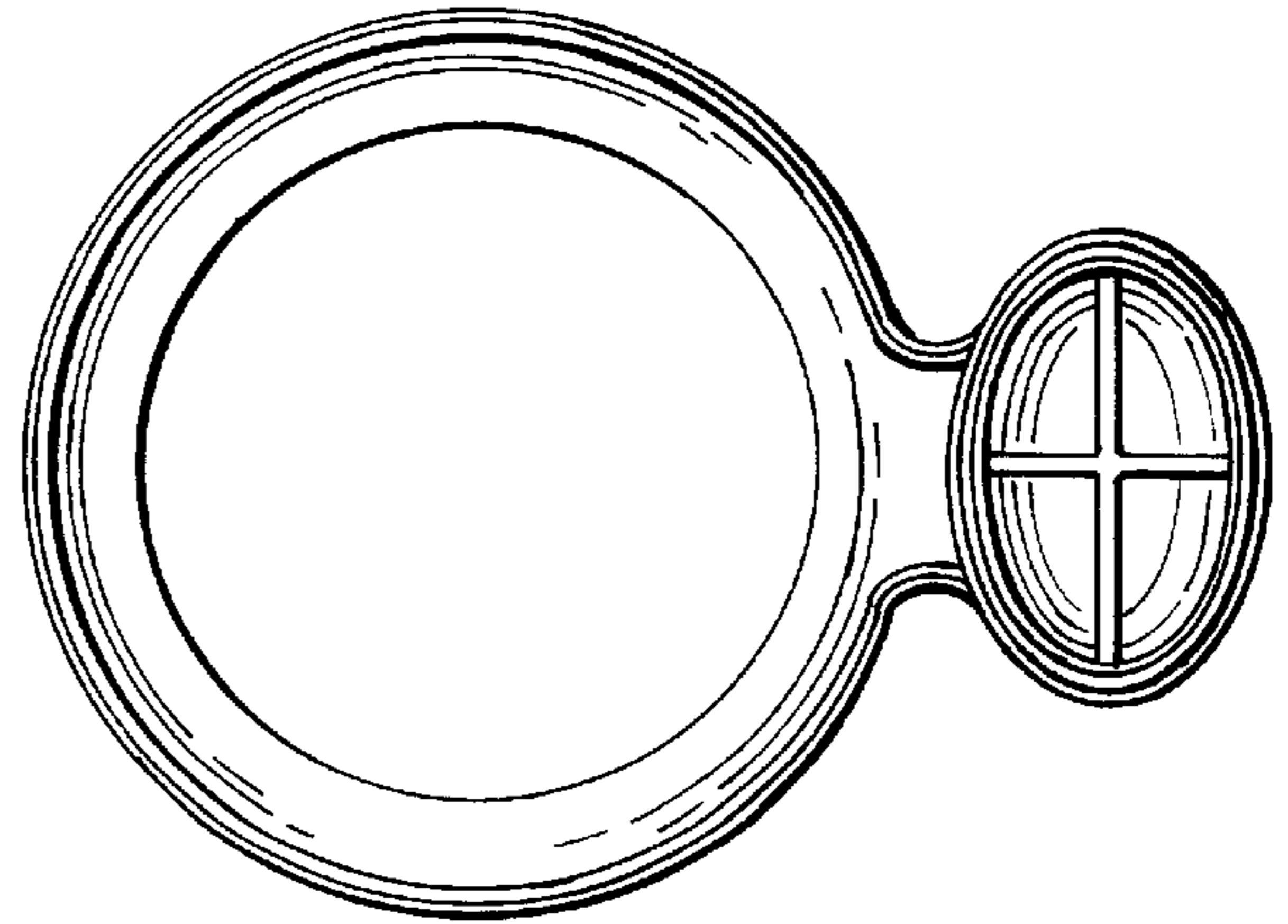


FIG.4

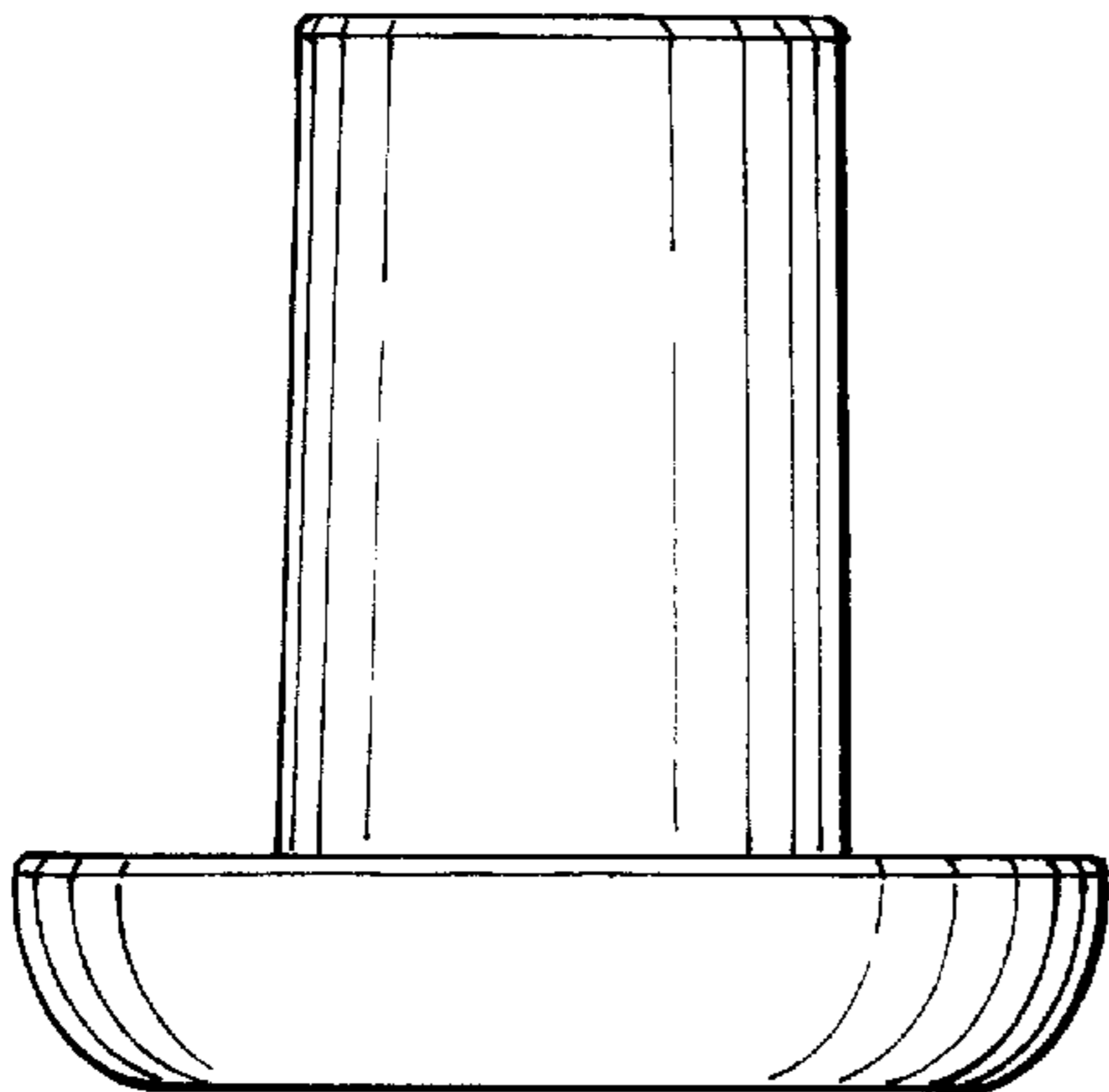


FIG.6

