



US00D423264S

United States Patent [19]
Nyland

[11] **Patent Number: Des. 423,264**

[45] **Date of Patent: ** Apr. 25, 2000**

[54] **DISPENSER FOR ROLL OF TRASH BAGS**

D. 343,402 1/1994 Scoppettone D3/266
D. 405,303 2/1999 Giugiaro D6/518

[76] Inventor: **Mark S. Nyland**, 8321 Shady Oaks Dr.,
North Richland Hills, Tex. 76180

Primary Examiner—Marcus A. Jackson
Attorney, Agent, or Firm—Low and Low

[**] Term: **14 Years**

[57] **CLAIM**

[21] Appl. No.: **29/098,592**

The ornamental design of a dispenser for roll of trash bags,
as shown and described.

[22] Filed: **Dec. 31, 1998**

DESCRIPTION

[51] **LOC (6) Cl.** **06-02**

[52] **U.S. Cl.** **D6/518**

[58] **Field of Search** D6/518, 520, 522,
D6/523; 312/37, 38; 206/389; 242/55.2,
55.3, 55.53

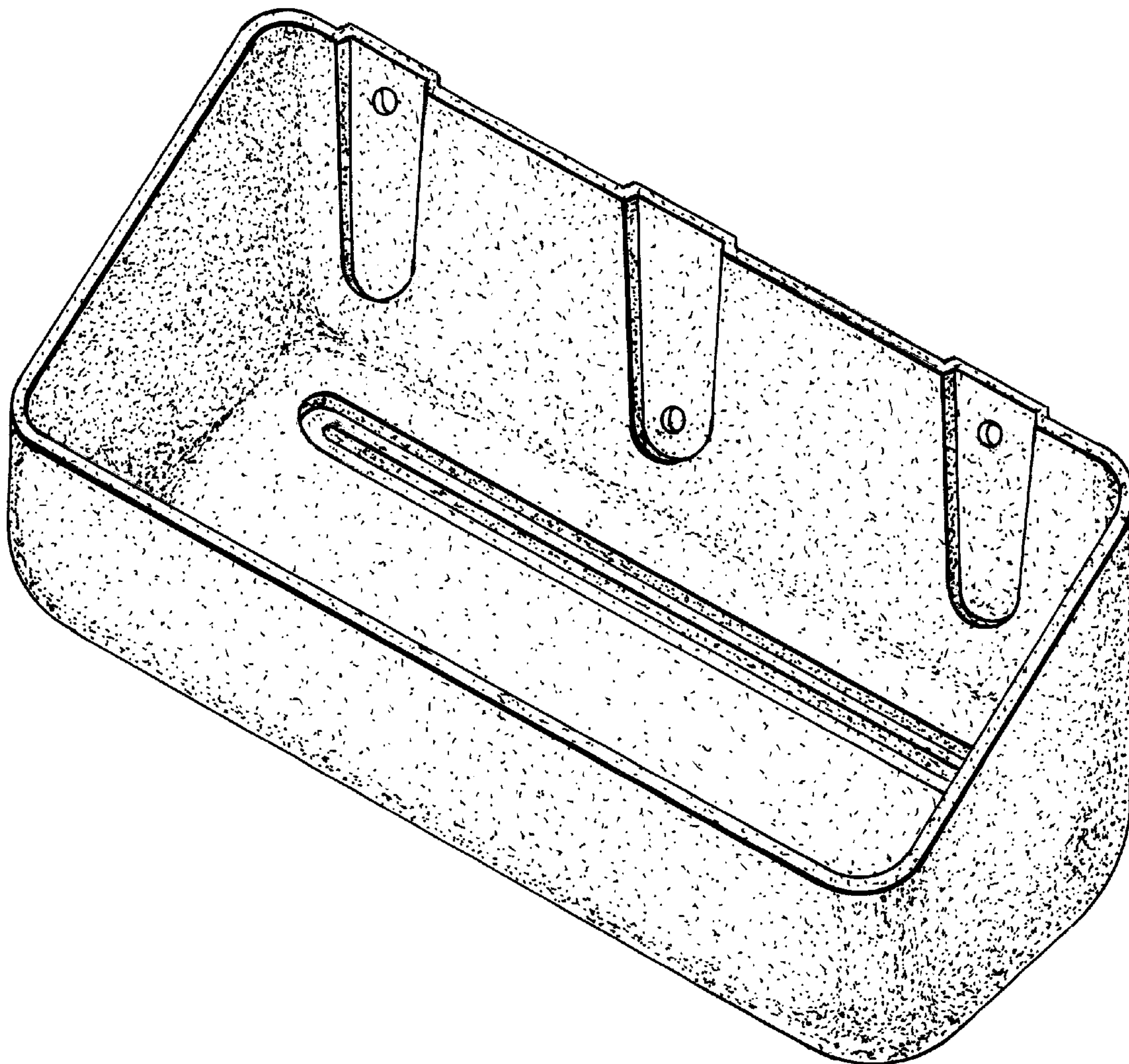
FIG. 1 is a perspective view toward the top of the dispenser;
FIG. 2 is a view of the rear of the dispenser;
FIG. 3 is a view of the front of the dispenser;
FIG. 4 is a view of the left side of the dispenser, wherein the
right side is similar thereto;
FIG. 5 is a top plan view of the dispenser; and,
FIG. 6 is a bottom plan view of the dispenser.

[56] **References Cited**

U.S. PATENT DOCUMENTS

D. 324,617 3/1992 McCauley D6/518

1 Claim, 3 Drawing Sheets



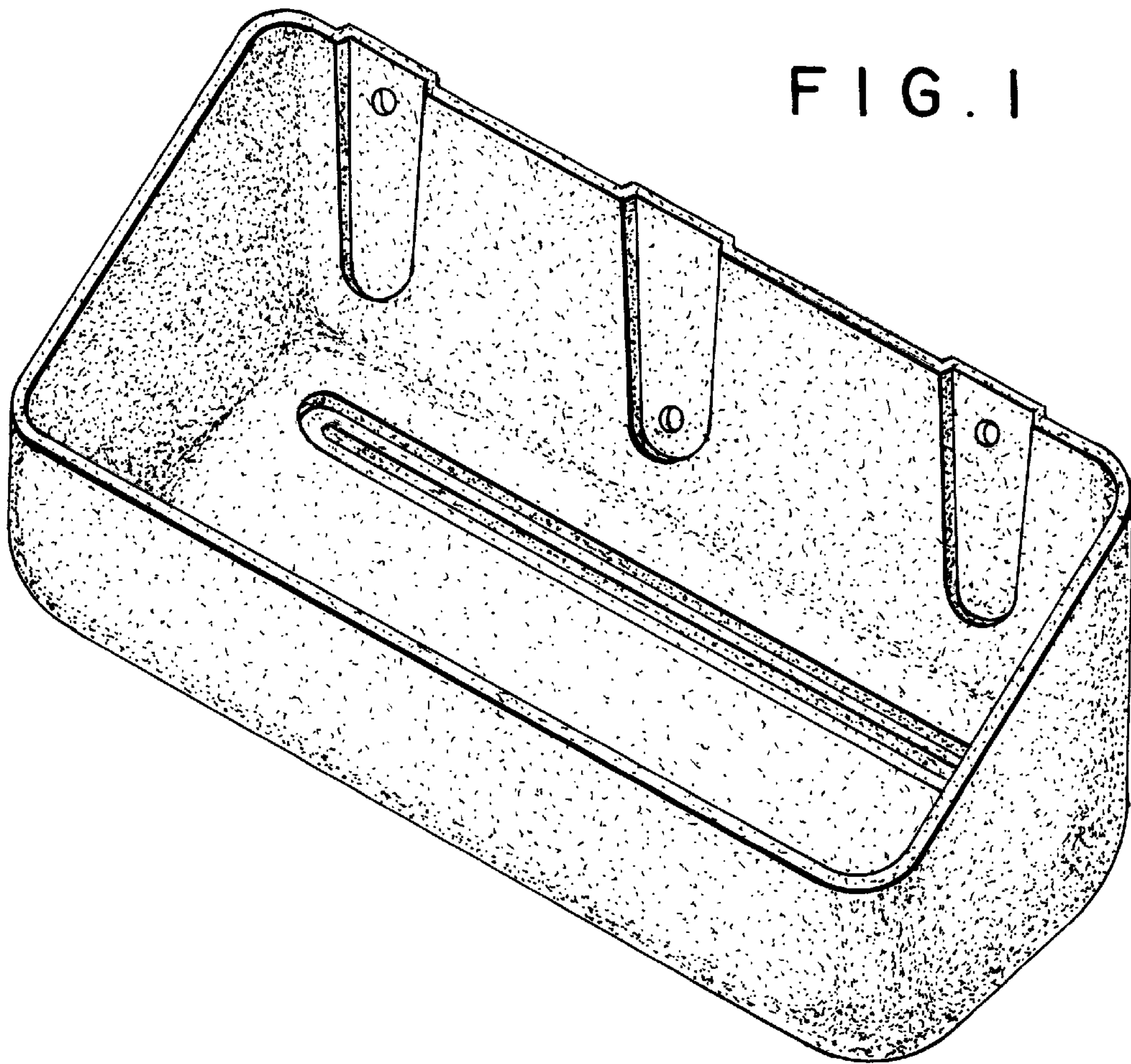


FIG. 1

FIG. 2

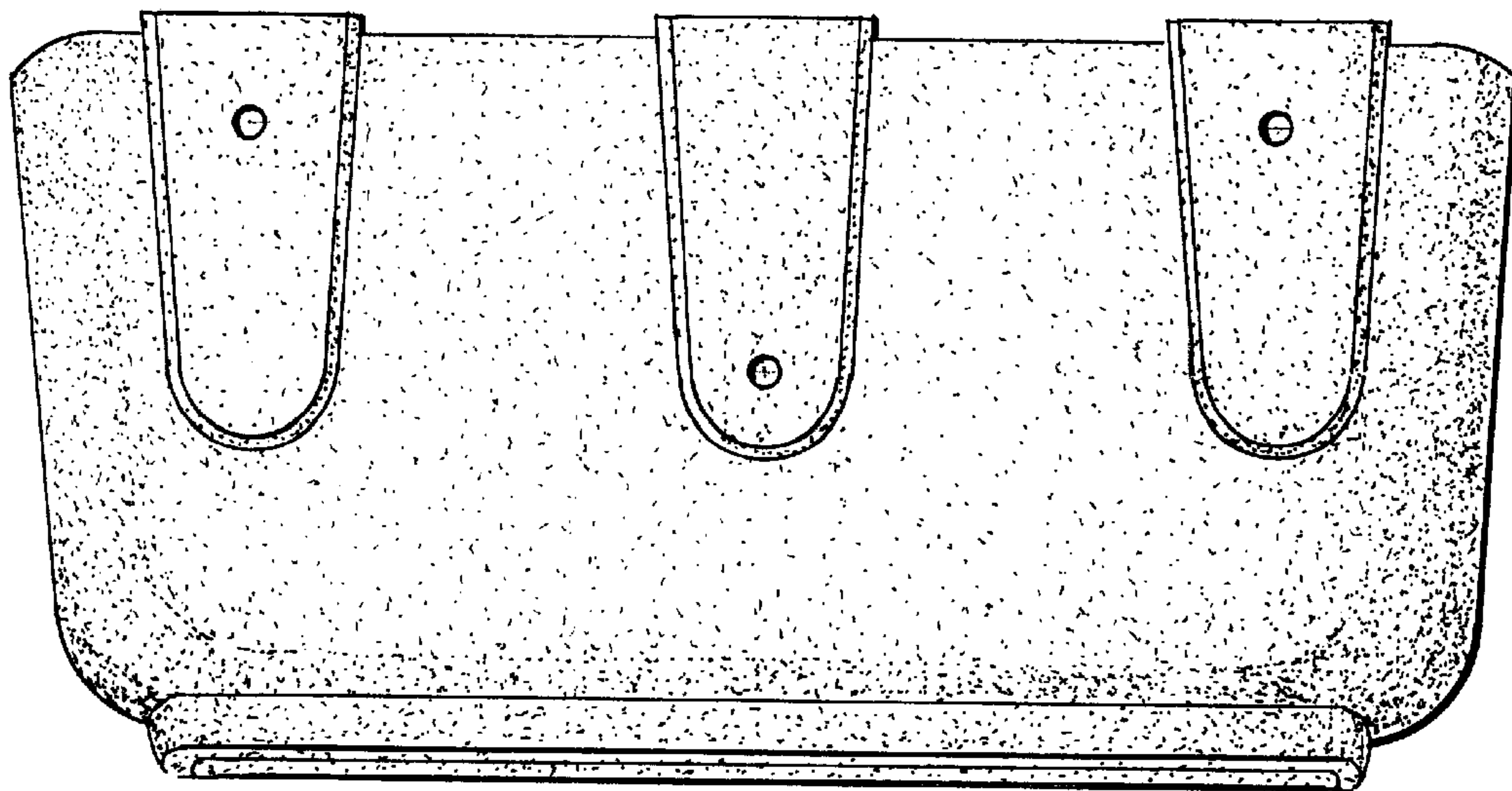


FIG. 3

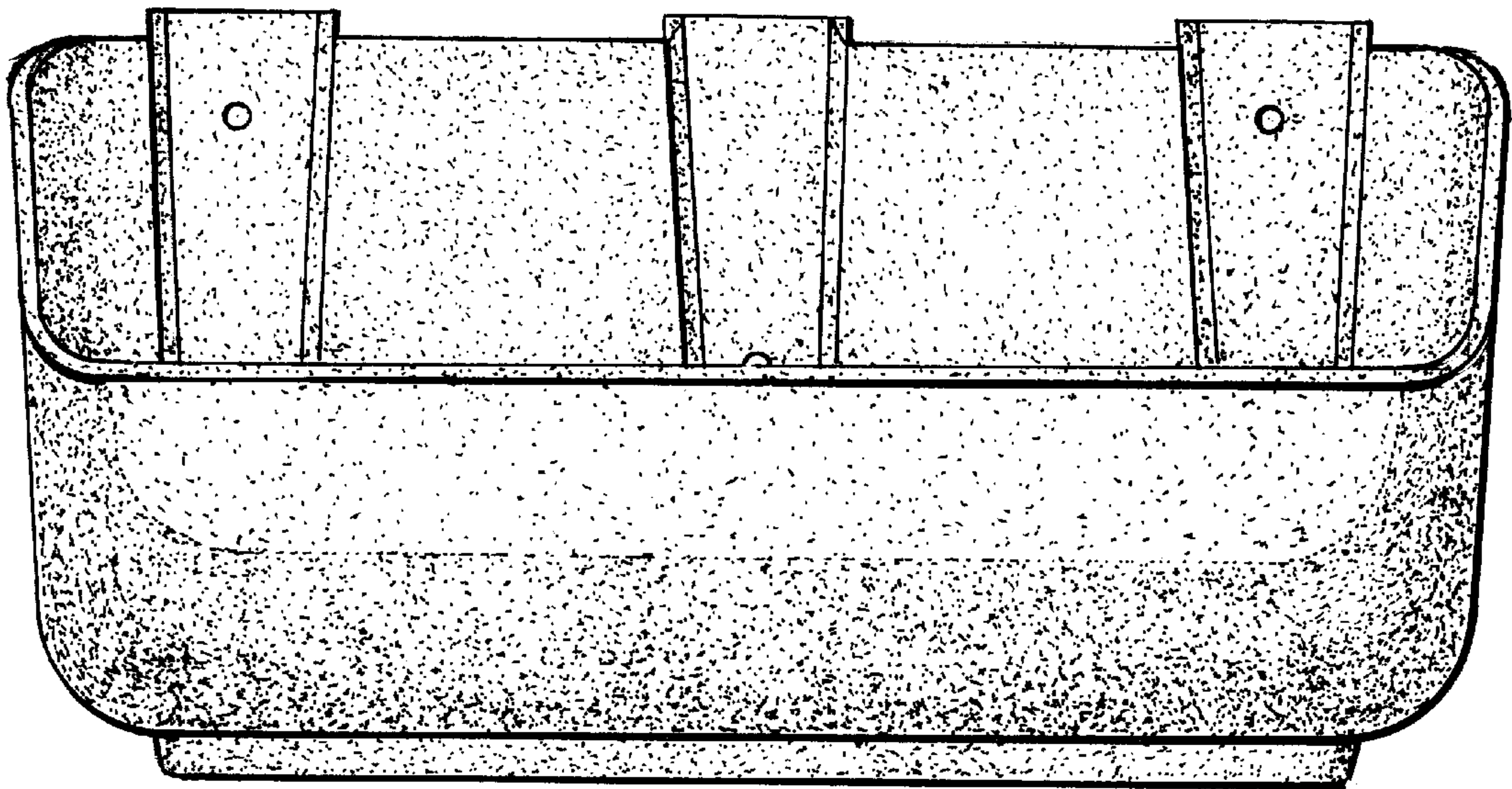
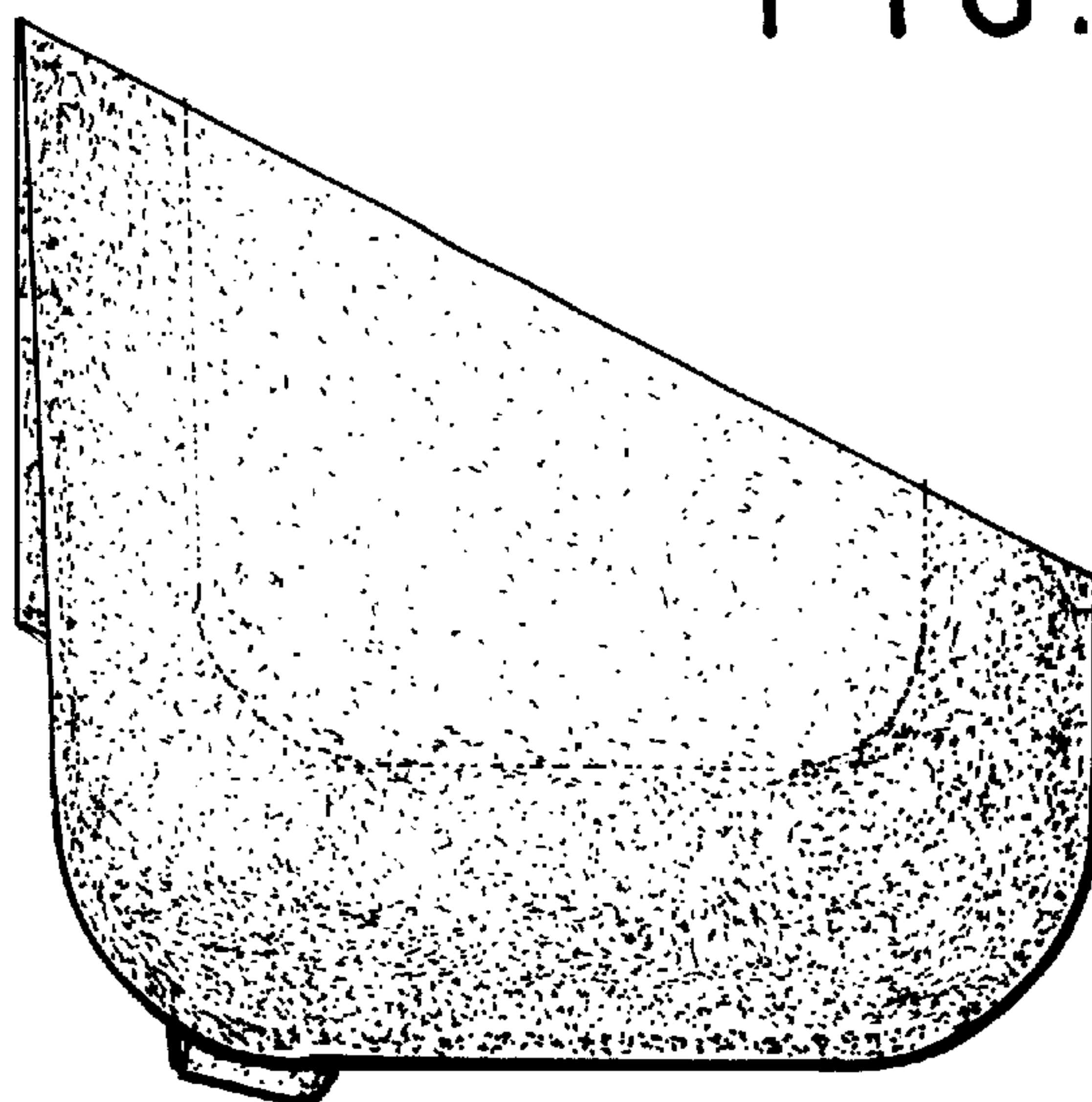


FIG. 4



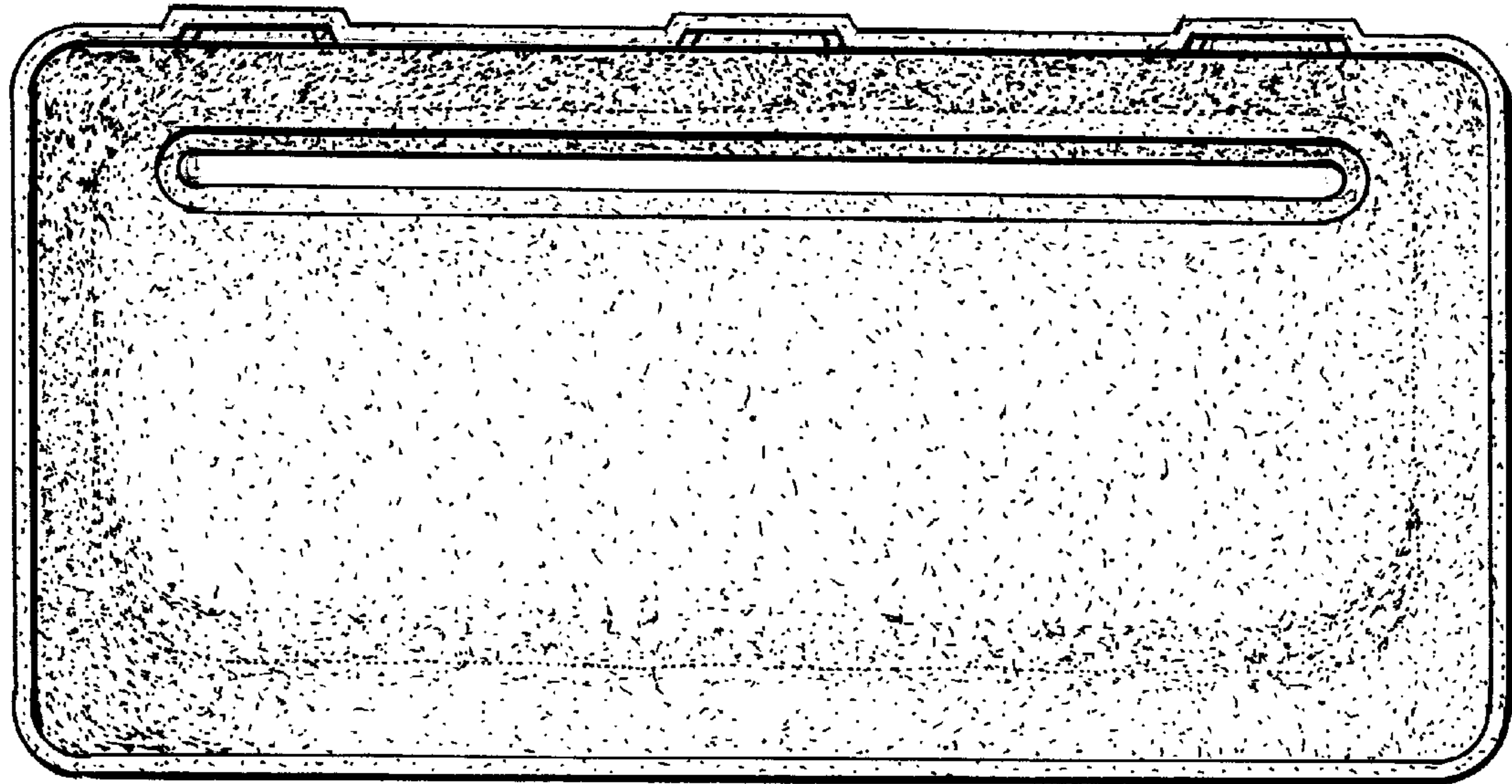


FIG. 5

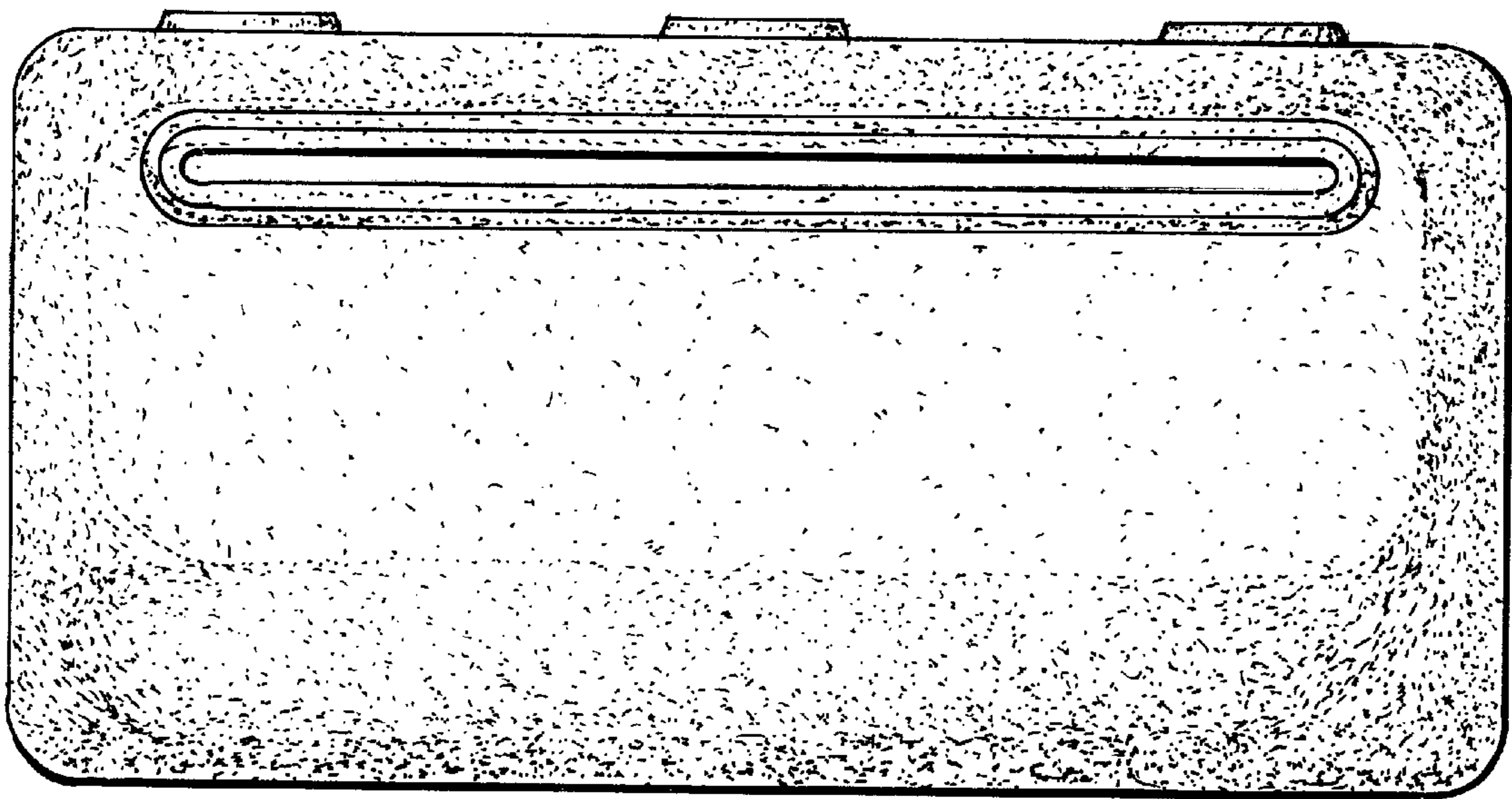


FIG. 6