



US00D423261S

United States Patent [19]

Ritch et al.

[11] Patent Number: Des. 423,261

[45] Date of Patent: ** Apr. 25, 2000

[54] CHAIR

[75] Inventors: **David J. Ritch**, Malibu; **Mark B. Saffell**, Manhattan Beach, both of Calif.

[73] Assignee: **Haworth, Inc.**, Holland, Mich.

[**] Term: **14 Years**

[21] Appl. No.: **29/110,174**

[22] Filed: **Aug. 31, 1999**

Related U.S. Application Data

[62] Division of application No. 29/097,661, Dec. 11, 1998, which is a division of application No. 29/070,126, Apr. 30, 1997, Pat. No. Des. 407,576.

[51] **LOC (6) Cl.** **06-06**

[52] **U.S. Cl.** **D6/500; D6/366**

[58] **Field of Search** D6/334, 364, 365, D6/366, 367, 379, 500, 501, 502; 297/411.2, 411.27, 411.36, 452.54

[56] References Cited

U.S. PATENT DOCUMENTS

54,314	5/1866	Farmer .	
D. 228,717	10/1973	Kramer	D6/501
D. 252,781	9/1979	Ball	D6/366
D. 254,105	2/1980	Hosoe	D6/366
D. 267,990	2/1983	Buhk et al.	D6/366
D. 268,798	5/1983	Rowland	D6/72
D. 274,867	7/1984	Caldwell	D6/366
D. 277,143	1/1985	Helmholdt	D6/366
D. 288,872	3/1987	Schultz	D6/366
D. 296,394	6/1988	Chadwick et al.	D6/366
D. 306,531	3/1990	Snodgrass	D6/366
D. 326,783	6/1992	Piretti	D6/366
D. 330,808	11/1992	Citterio	D6/366
D. 345,060	3/1994	Duncan	D6/366
D. 346,279	4/1994	Stumpf et al.	D6/366
D. 355,303	2/1995	Scheper et al.	D6/366
D. 358,944	6/1995	Citterio	D6/366
D. 366,369	1/1996	Sagol	D6/368
D. 368,172	3/1996	Locher	D6/366
D. 368,380	4/1996	Olson et al.	D6/366
D. 372,799	8/1996	Orians et al.	D6/366

D. 377,431	1/1997	Stumpf et al.	D6/500
D. 381,525	7/1997	James	D6/366
D. 382,149	8/1997	Pimental et al.	D6/500
D. 383,322	9/1997	Dammermann et al.	D6/366
D. 390,712	2/1998	Koepke et al.	D6/366
D. 391,089	2/1998	Chu	D6/366
D. 393,755	4/1998	Nemeth, Jr.	D6/366
D. 398,163	9/1998	Desanta	D6/366
D. 400,018	10/1998	James et al.	D6/366
D. 405,283	2/1999	James	D6/366
D. 405,618	2/1999	Reutepohler et al.	D6/366
D. 407,911	4/1999	Bräuning	D6/366
D. 410,799	6/1999	Meda	D6/366
D. 411,928	7/1999	Ritch et al.	D6/500
662,647	11/1900	Howe .	

(List continued on next page.)

OTHER PUBLICATIONS

IDEA article, Intes USA (1 page), Undated.
New! Bungie Hi-Back Chair article (1 page), Undated.

Primary Examiner—Gary D. Watson
Attorney, Agent, or Firm—Flynn, Thiel, Boutell & Tanis, P.C.

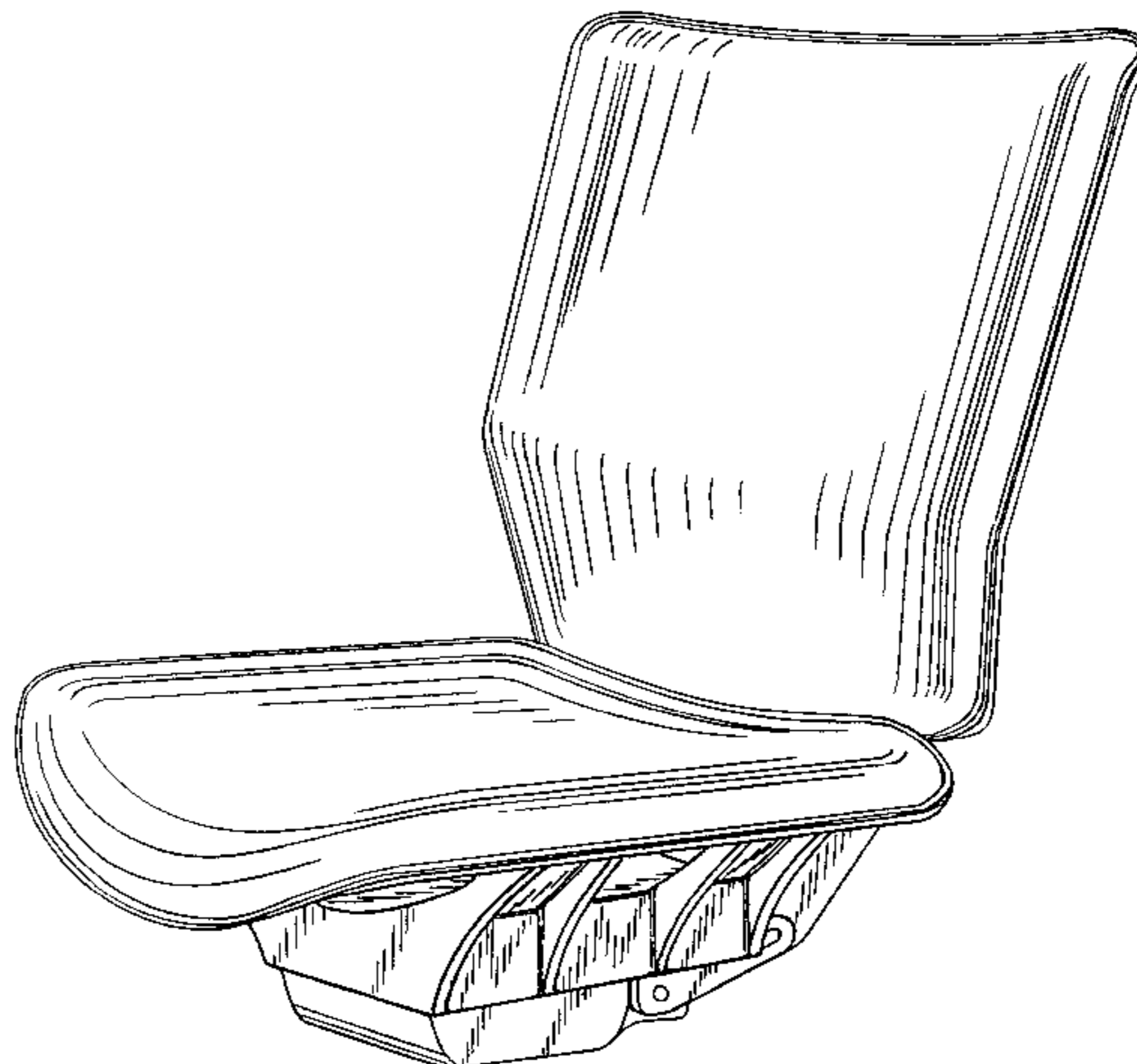
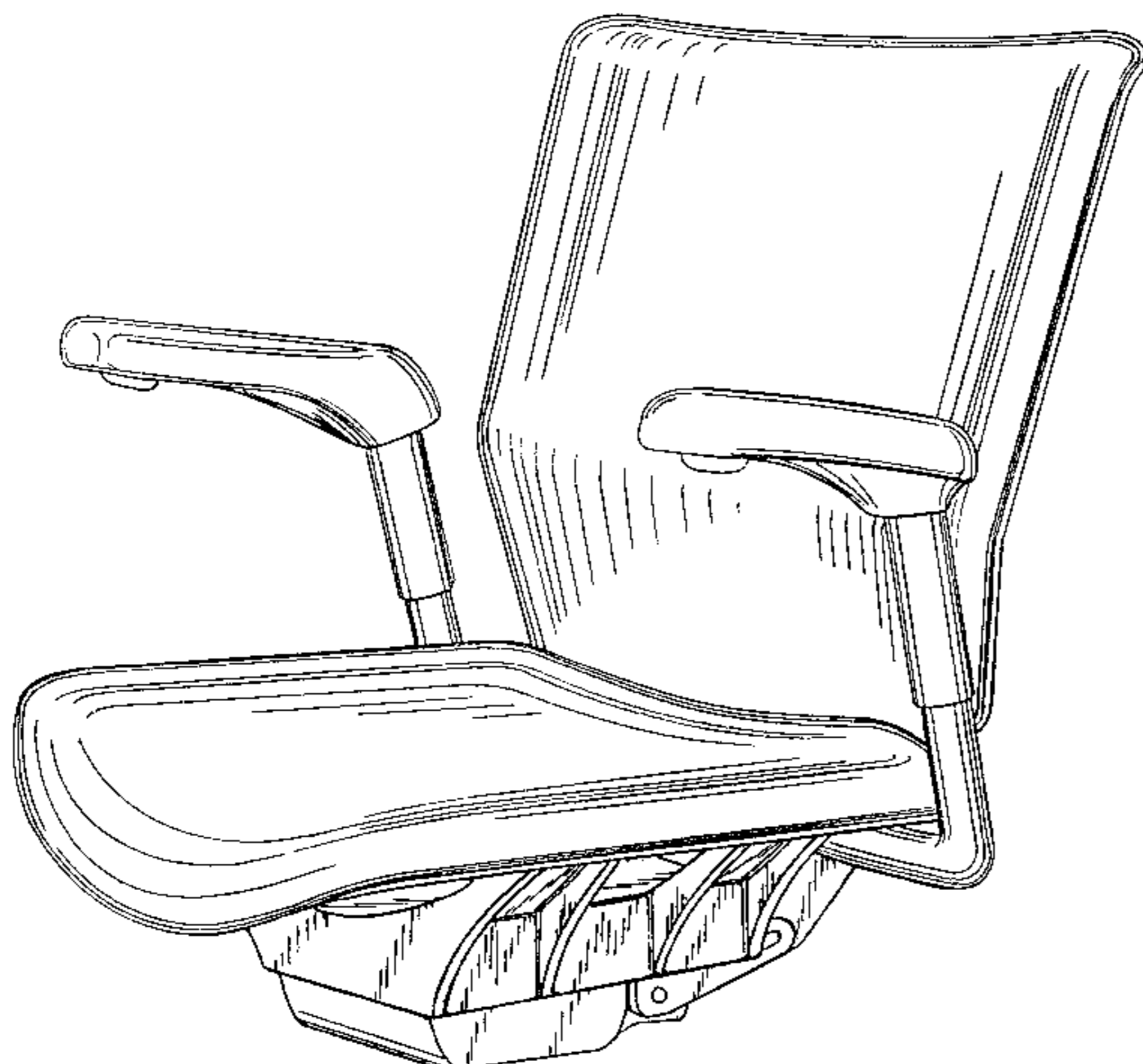
[57] CLAIM

The ornamental design for a chair, as shown and described.

DESCRIPTION

FIG. 1 is a perspective view of a first embodiment of a chair embodying our design;
FIG. 2 is a front elevational view thereof;
FIG. 3 is a top view thereof;
FIG. 4 is a left side elevational view thereof, the right side elevational view being a mirror image thereof; and
FIG. 5 is a rear elevational view thereof.
FIG. 6 is a perspective view of a second embodiment of a chair embodying our design;
FIG. 7 is a front elevational view thereof;
FIG. 8 is a top view thereof;
FIG. 9 is a left side elevational view thereof, the right side elevational view being a mirror image thereof; and,
FIG. 10 is a rear elevational view thereof.

1 Claim, 10 Drawing Sheets



U.S. PATENT DOCUMENTS						
			3,767,261	10/1973	Rowland	297/452
			4,368,917	1/1983	Urai	297/452
			4,533,174	8/1985	Fleishman	297/16
			4,660,887	4/1987	Fleming et al.	297/445
			4,828,320	5/1989	Saiger	297/229
			4,961,610	10/1990	Reeder et al.	297/411.36
			5,013,089	5/1991	Abu-Isa et al.	297/452
			5,154,485	10/1992	Fleishman	297/445
			5,382,079	1/1995	Wilson et al.	297/411.36
			5,445,436	8/1995	Kemnitz	297/452
			5,647,638	7/1997	Ritt et al.	297/411.36
			5,667,277	9/1997	Van De Riet	297/411.36
			5,795,026	8/1998	Dral et al.	297/411.36
			5,934,758	8/1999	Ritch et al.	297/452.54
1,005,330	10/1911	Schmits et al. .				
1,769,294	7/1930	Johnson et al. .				
2,126,439	8/1938	Zerbee	155/179			
2,260,352	10/1941	Trapani	155/182			
2,878,860	3/1959	Brattrud	155/178			
3,041,109	6/1962	Eames et al.	297/449			
3,059,919	10/1962	Marchino	267/103			
3,107,944	10/1963	Baermann	297/452			
3,117,819	1/1964	Kudriavetz, Jr.	297/452			
3,120,407	2/1964	Propst	297/457			
3,217,786	11/1965	Earl	160/404			
3,233,885	2/1966	Propst	267/1			
3,720,568	3/1973	Rowland	161/48			

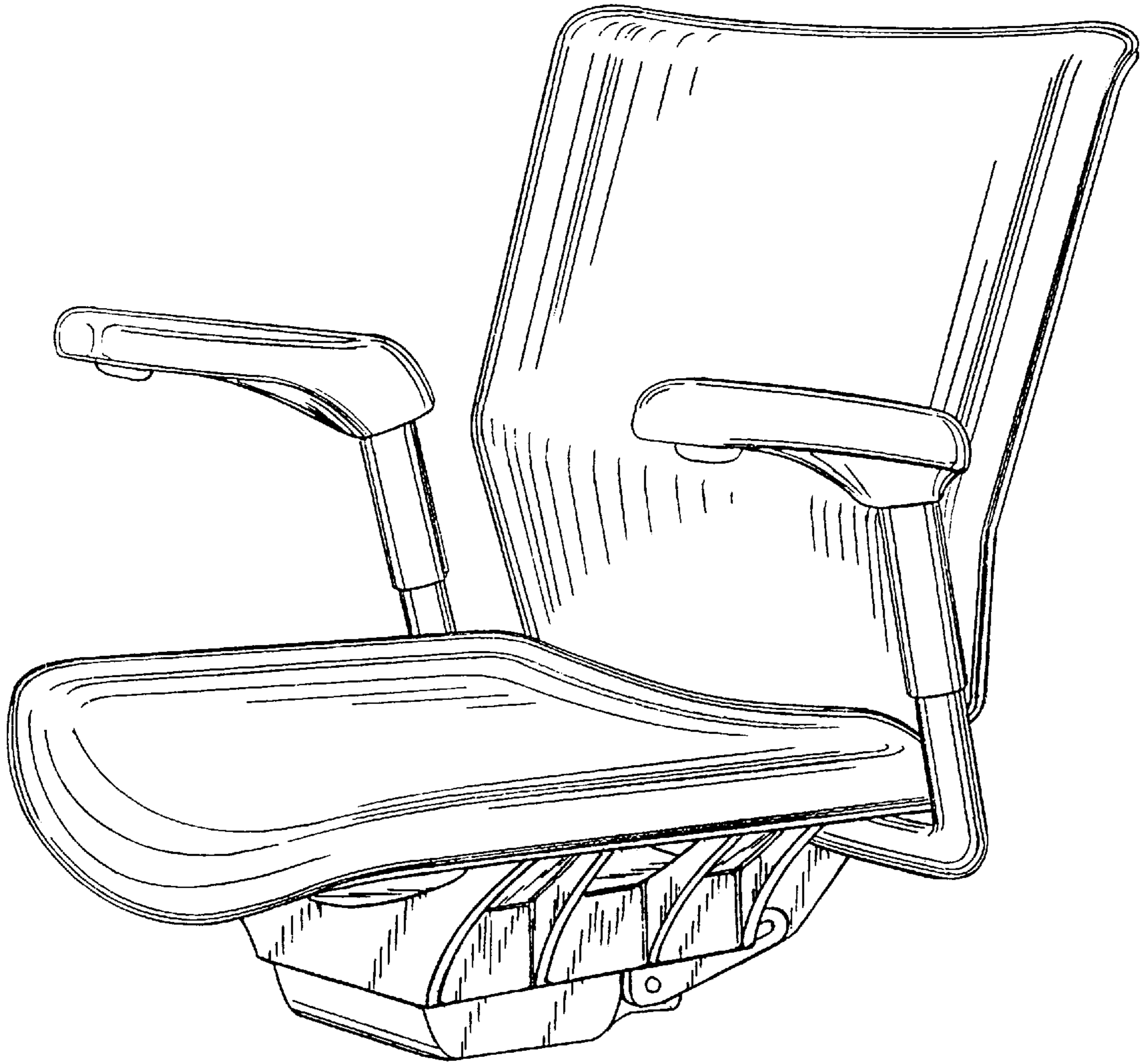


FIG. 1

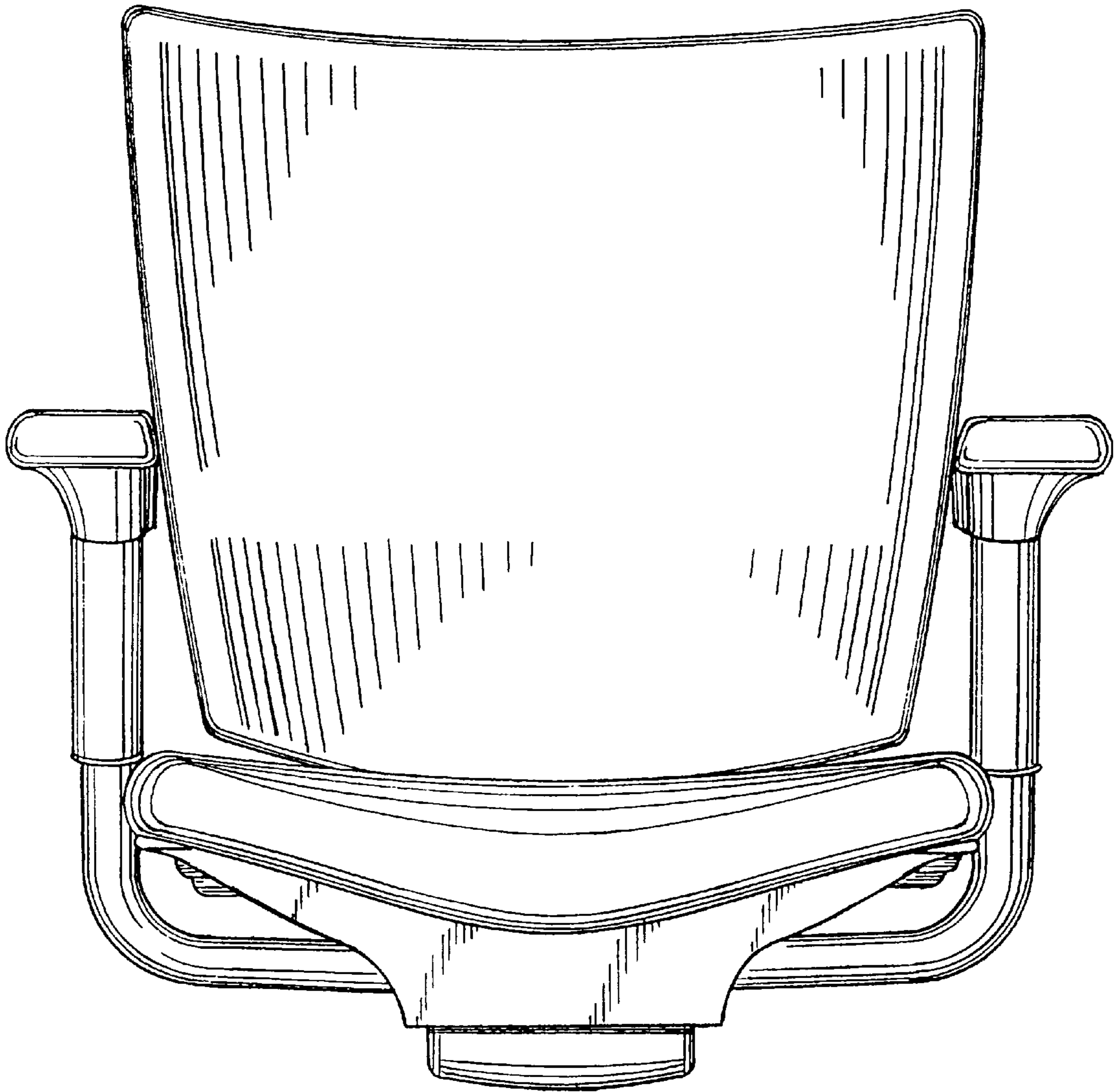


FIG. 2

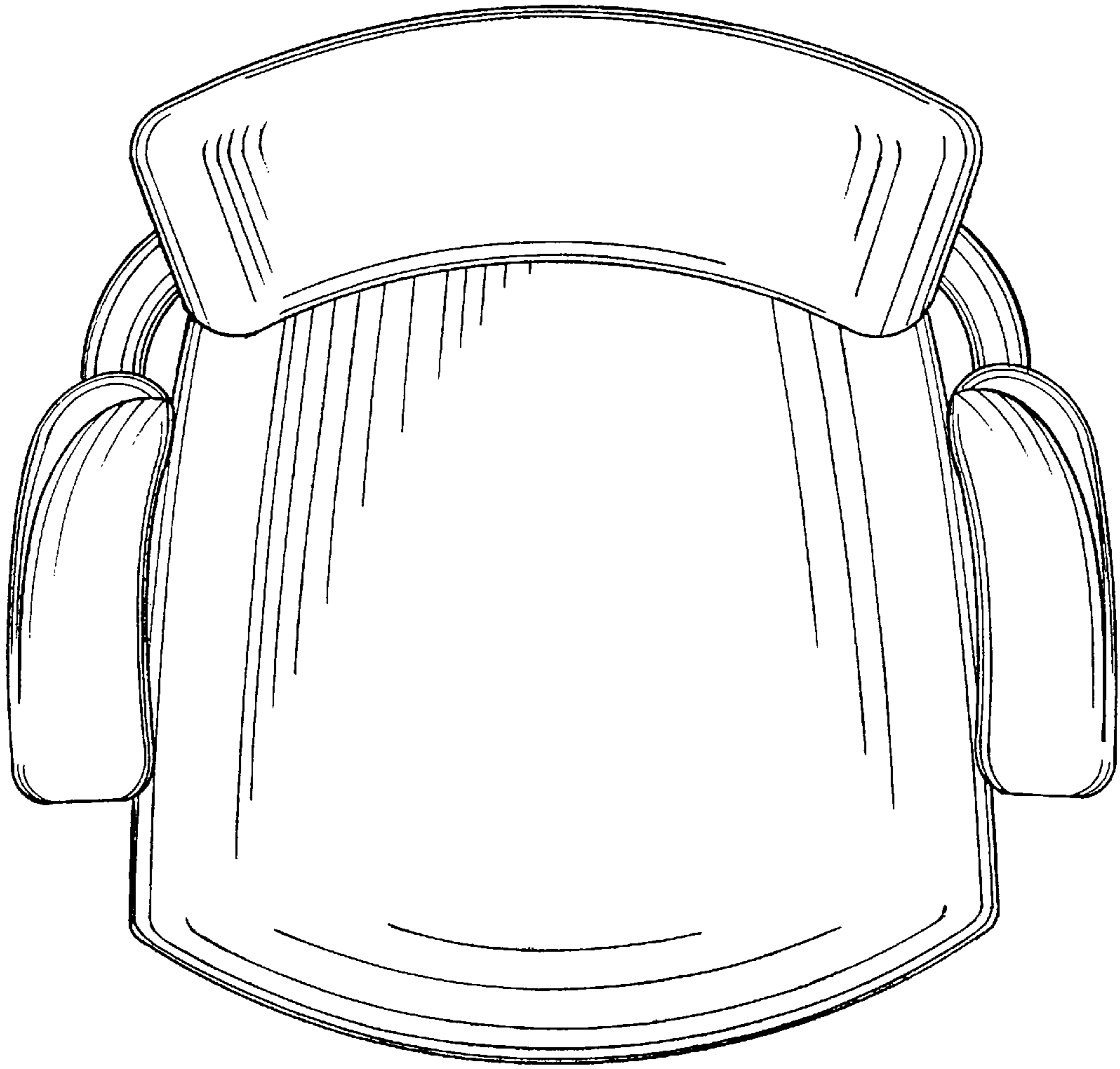


FIG. 3

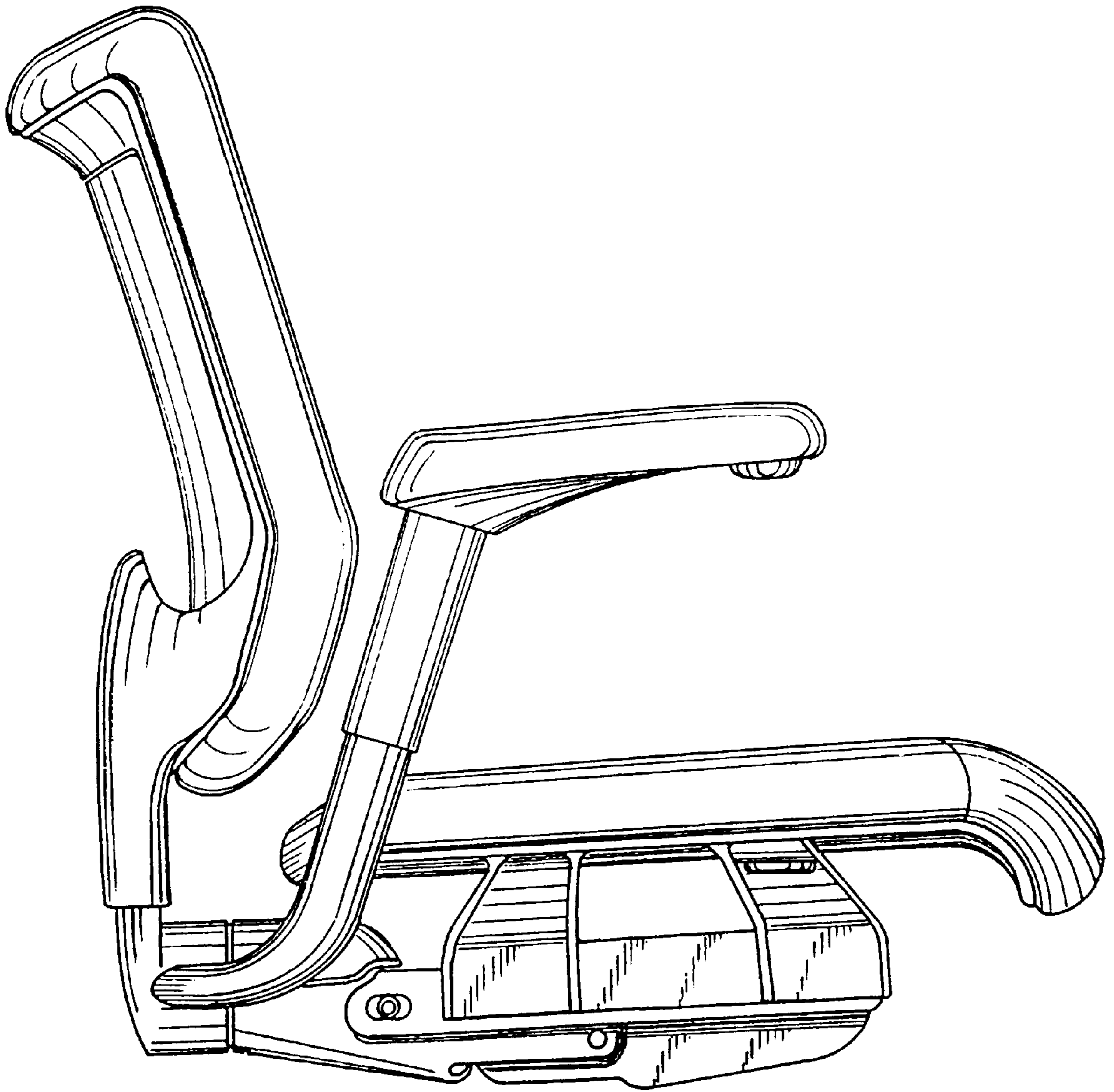


FIG. 4

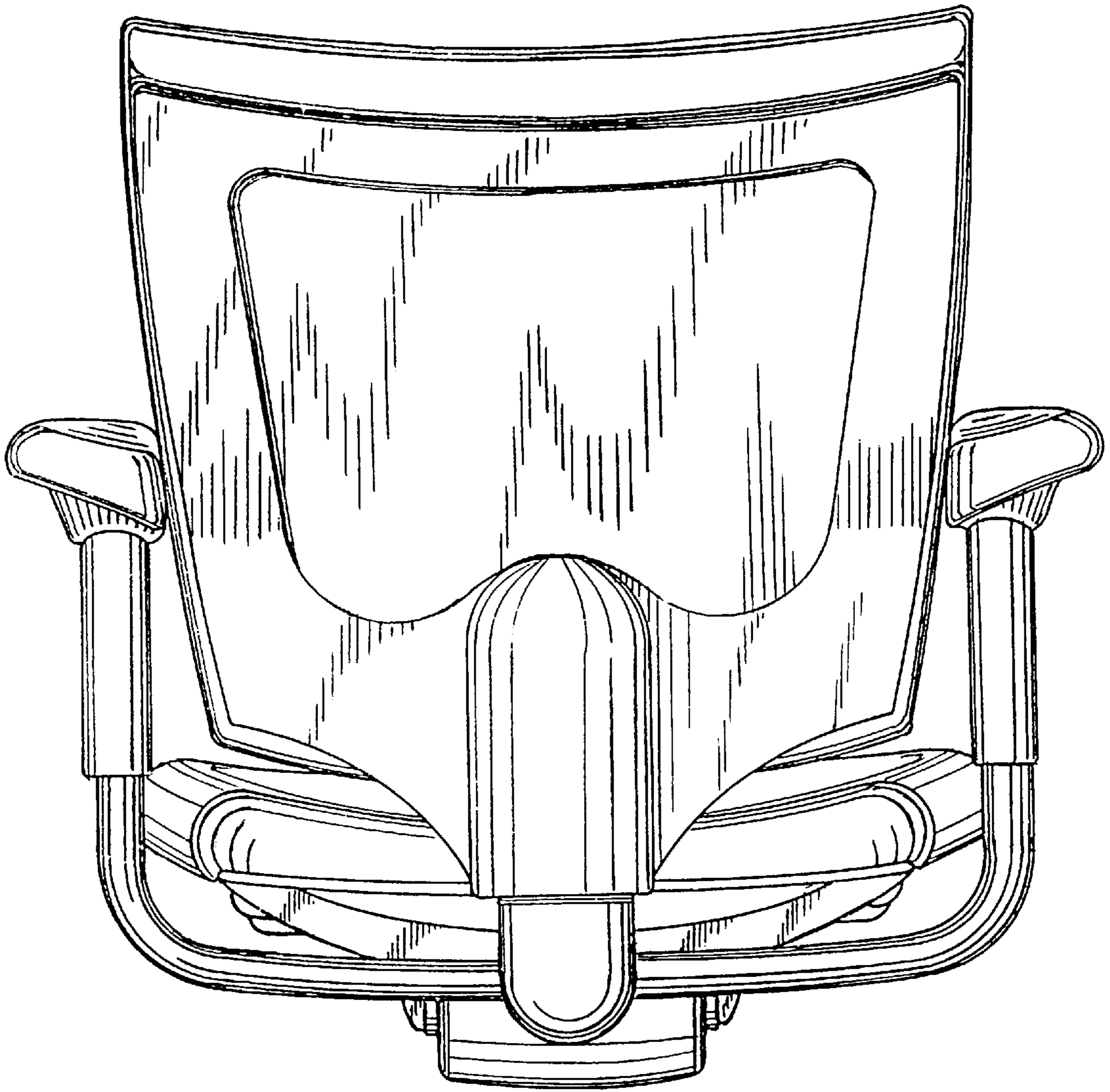


FIG. 5

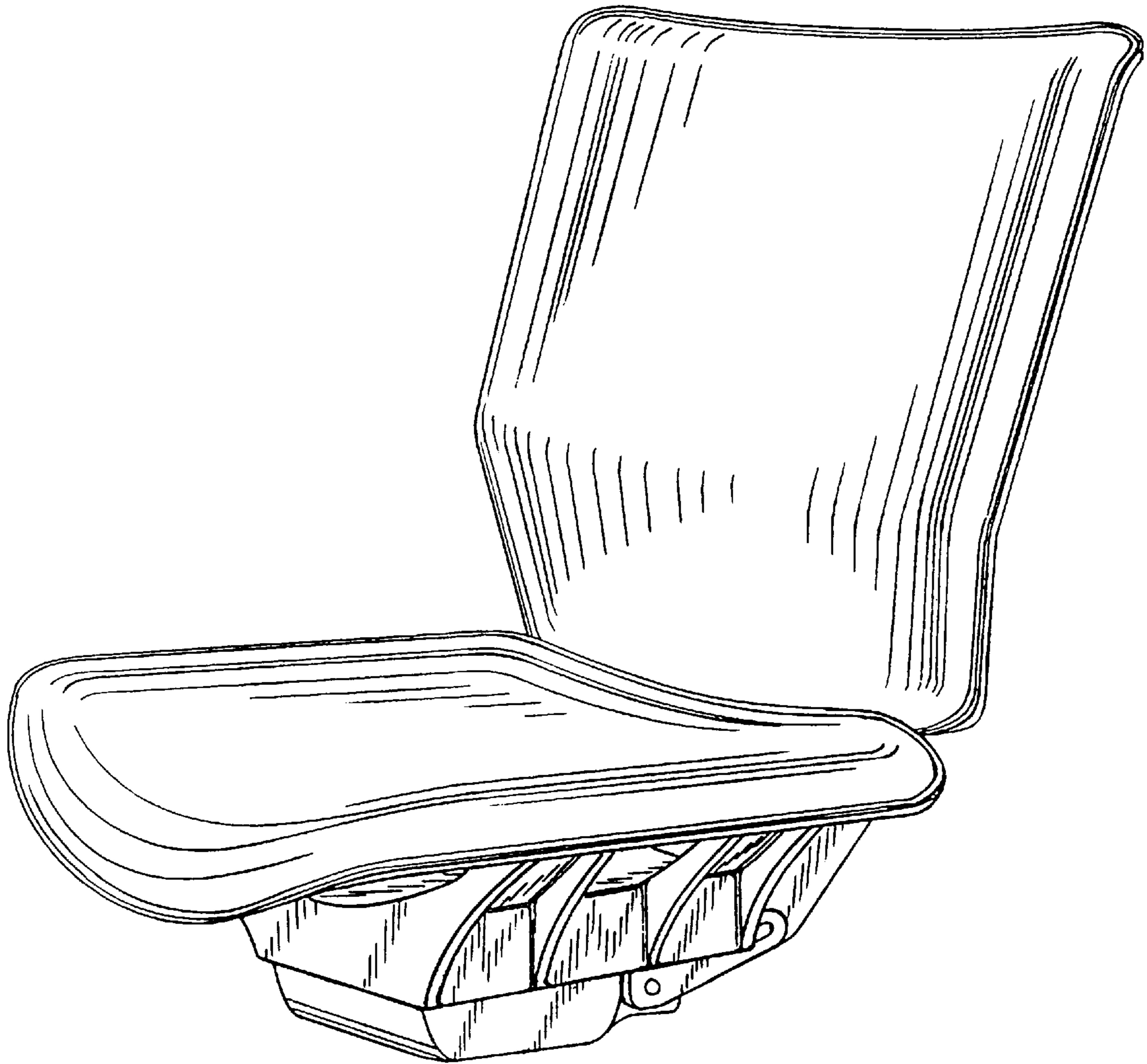


FIG. 6

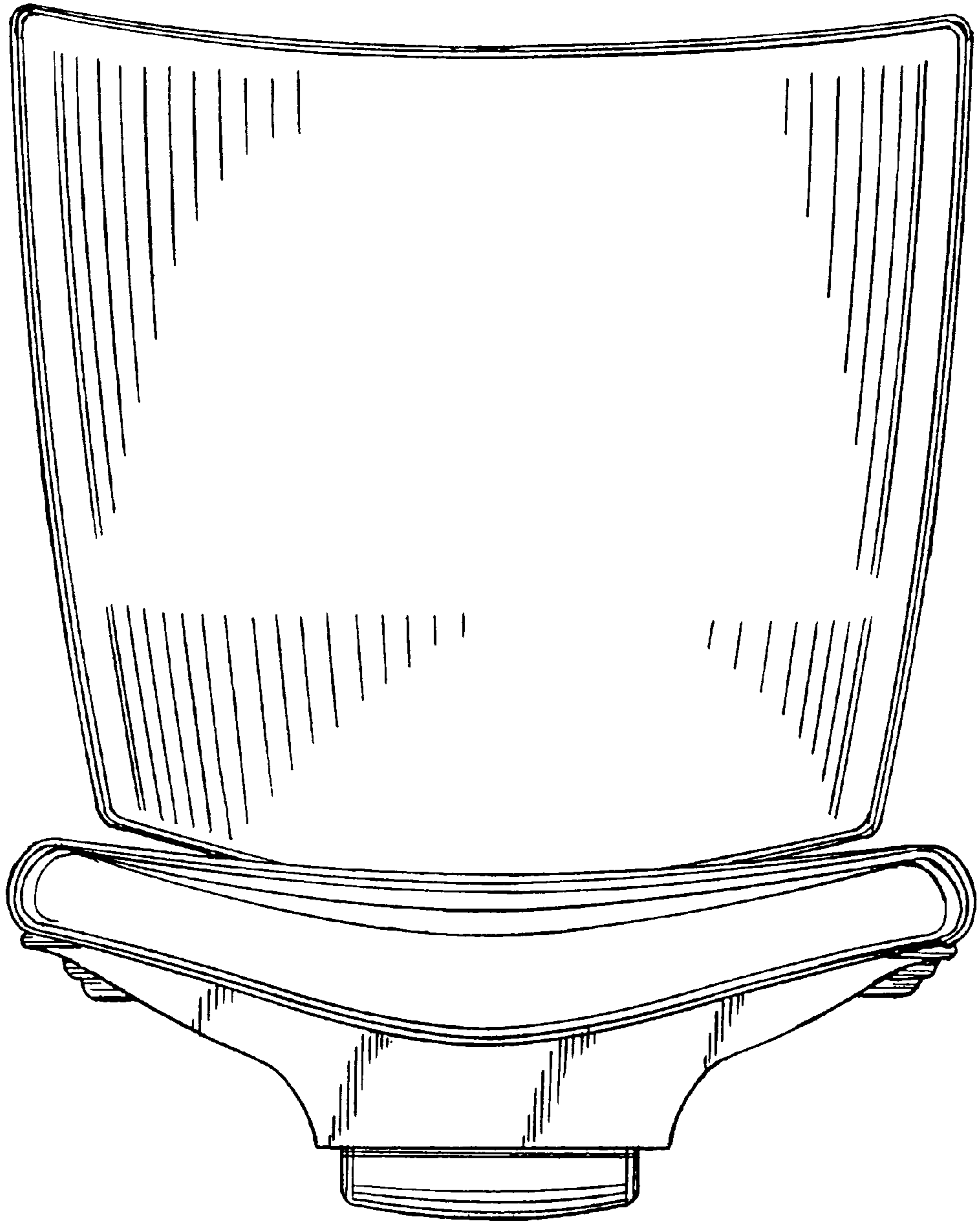


FIG. 7

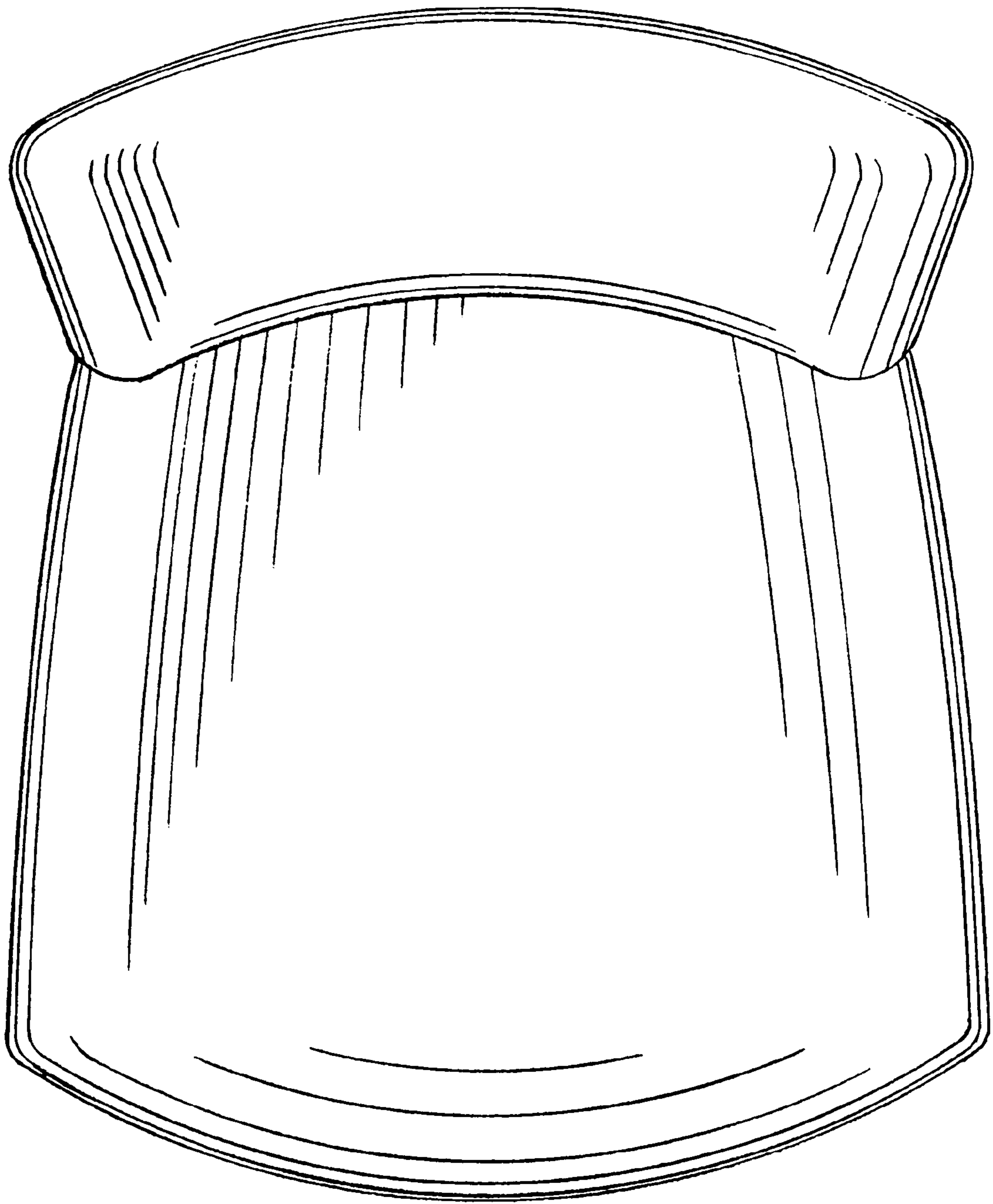


FIG. 8

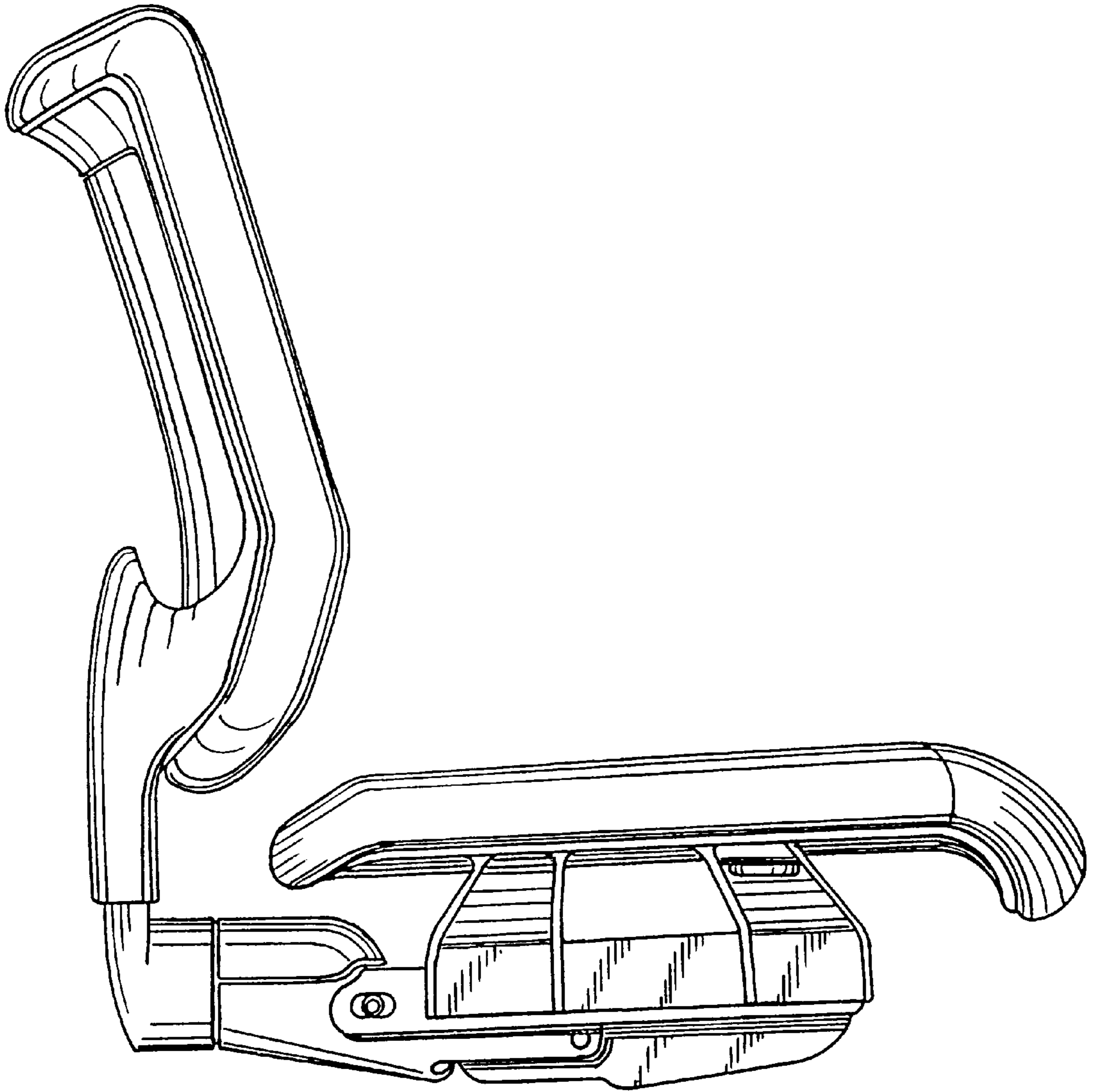


FIG. 9

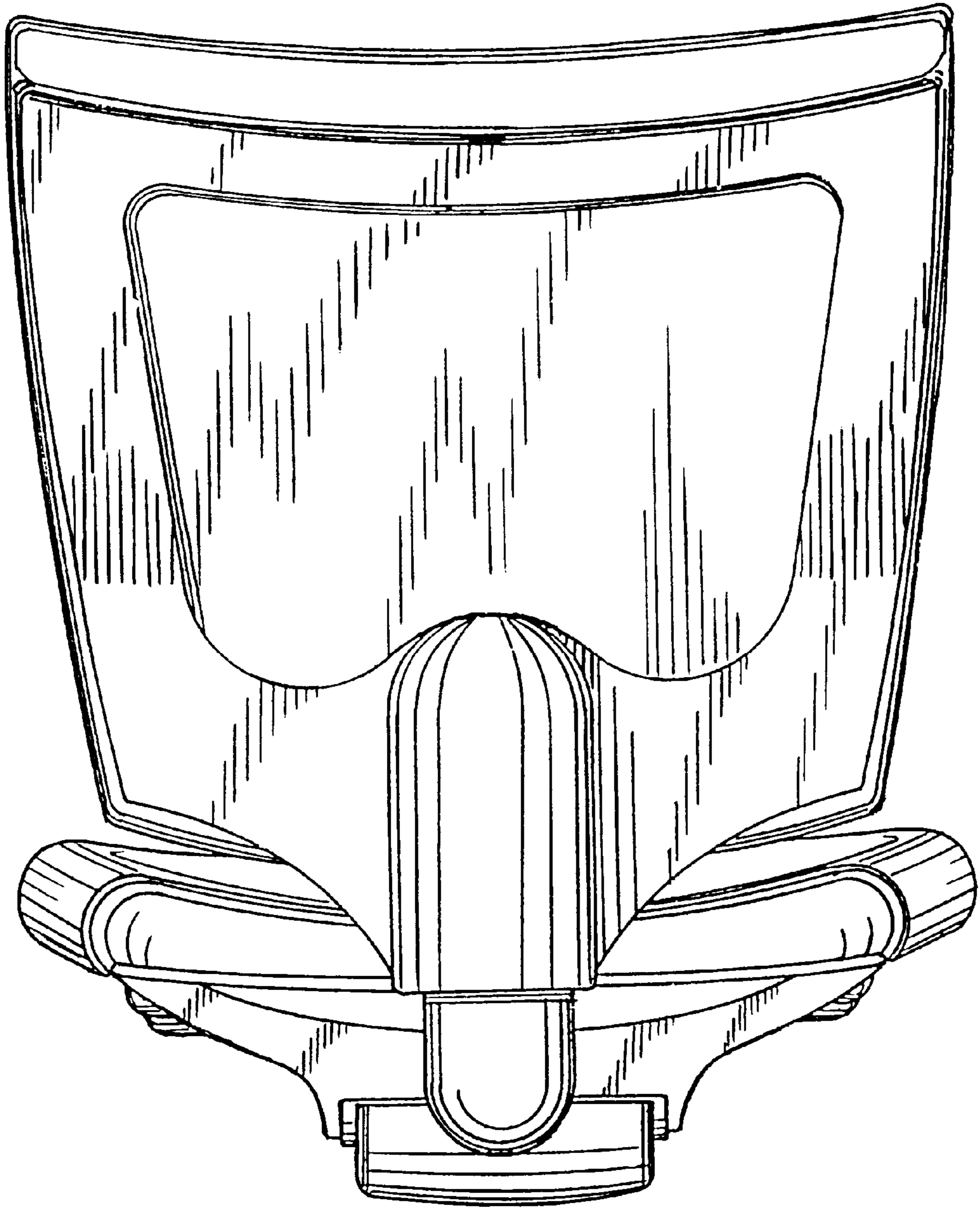


FIG. 10