



US00D423256S

United States Patent [19] Schiavello

[11] **Patent Number: Des. 423,256**
[45] **Date of Patent: ** Apr. 25, 2000**

[54] **LEG FOR FURNITURE**

[75] **Inventor: Antonino Schiavello, Templestowe, Australia**

[73] **Assignee: Schiavello Commercial Interiors (VIC) Pty Ltd, Tullamarine, Australia**

[**] **Term: 14 Years**

[21] **Appl. No.: 29/072,983**

[22] **Filed: Jun. 25, 1997**

[51] **LOC (6) Cl. 06-06**

[52] **U.S. Cl. D6/495; D6/496**

[58] **Field of Search D6/480-489, 495-499, D6/429, 422, 423; 108/152, 153, 156, 157.1, 161, 144.11; 248/188, 188.1, 188.8**

[56] **References Cited**

U.S. PATENT DOCUMENTS

- D. 284,434 7/1986 Boundy .
- D. 284,532 7/1986 Vogt D6/428
- D. 288,750 3/1987 Friedman .
- D. 295,004 4/1988 Schulz et al. .
- D. 308,922 7/1990 Ng et al. .
- D. 314,105 1/1991 Vossoughi .
- D. 314,299 2/1991 Diffrient .
- D. 316,644 5/1991 Diffrient .
- D. 318,269 7/1991 Hassel et al. .
- D. 320,709 10/1991 Lotsch et al. .
- D. 326,575 6/1992 Grosfillex .

- D. 330,302 10/1992 Heidmann .
- D. 330,644 11/1992 Bellini et al. .
- D. 332,887 2/1993 Fjello-Jensen .
- D. 335,406 5/1993 Vonhausen D6/484
- D. 335,787 5/1993 Hollington .
- D. 335,977 6/1993 Fleischer D6/480
- D. 338,577 8/1993 Vonhausen .
- D. 352,406 11/1994 Scheffers .
- D. 367,193 2/1996 Dame et al. .
- D. 367,379 2/1996 Nicholson et al. .
- D. 370,579 6/1996 Simon .
- 4,440,096 4/1984 Rice et al. 108/3
- 5,289,784 3/1994 Waibel 108/157

Primary Examiner—Janice E. Seeger
Attorney, Agent, or Firm—Christensen O'Connor Johnson & Kindness PLLC

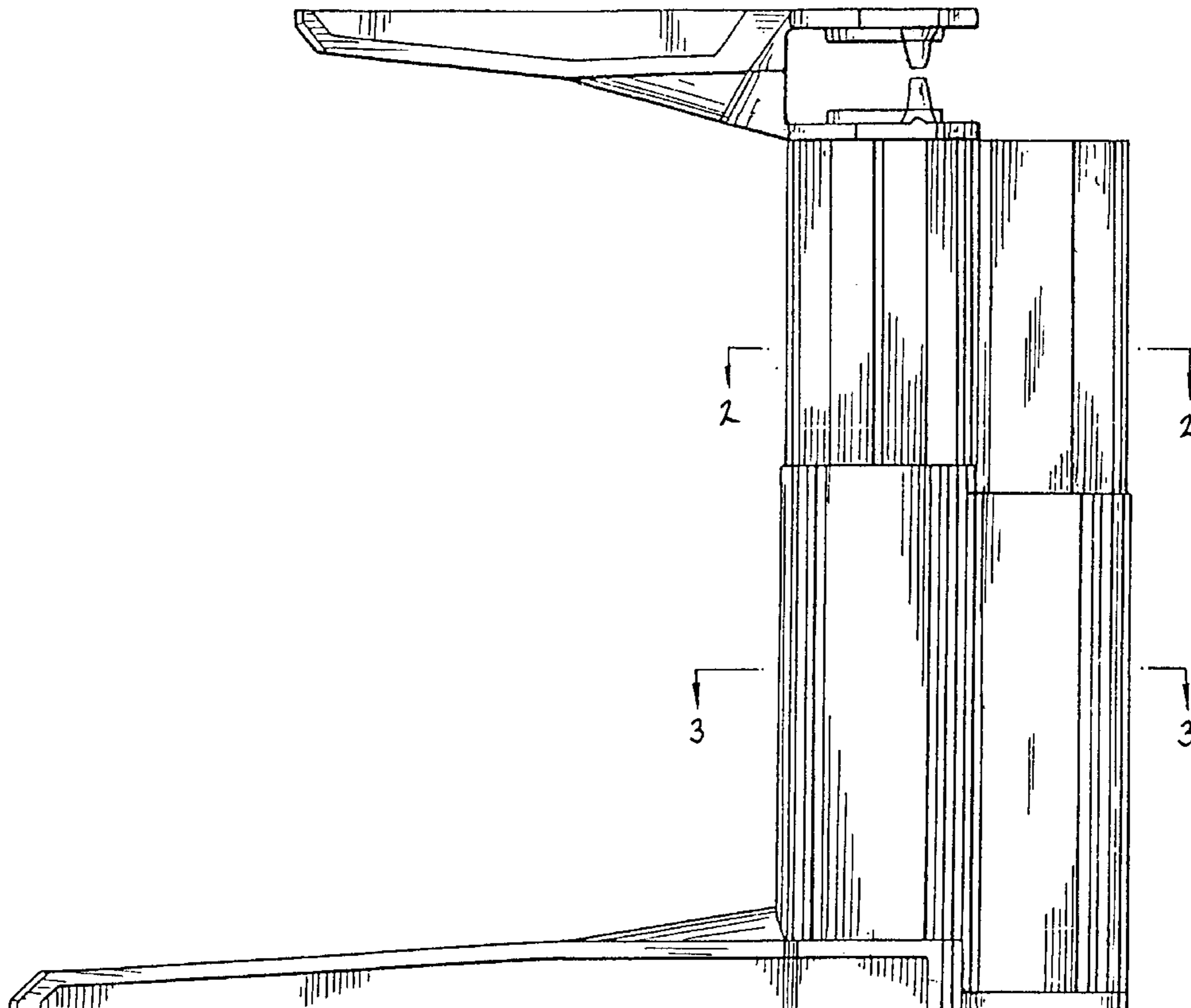
[57] **CLAIM**

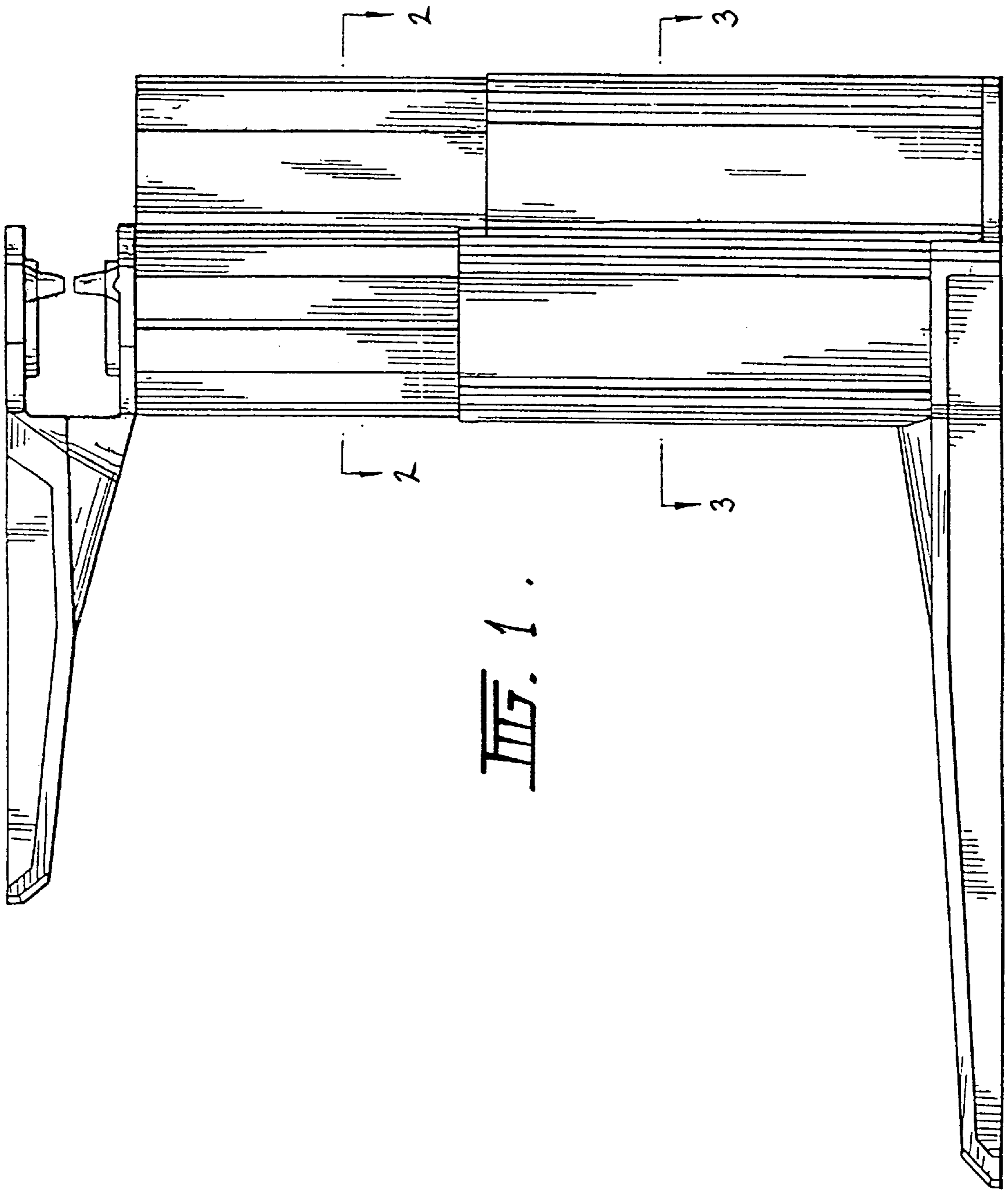
The ornamental design for a leg for furniture, as shown and described.

DESCRIPTION

FIG. 1 is a left side elevational view of a leg for furniture provided in accordance with the invention; FIG. 2 is a sectional view taken along line 2—2 of FIG. 1; FIG. 3 is a sectional view taken along line 3—3 of FIG. 1; FIG. 4 is a top plan view of the leg of FIG. 1; FIG. 5 is a front elevational view of the leg of FIG. 1; FIG. 6 is a rear elevational view of the leg of FIG. 1; and, FIG. 7 is a right side elevational view of the leg of FIG. 1.

1 Claim, 4 Drawing Sheets





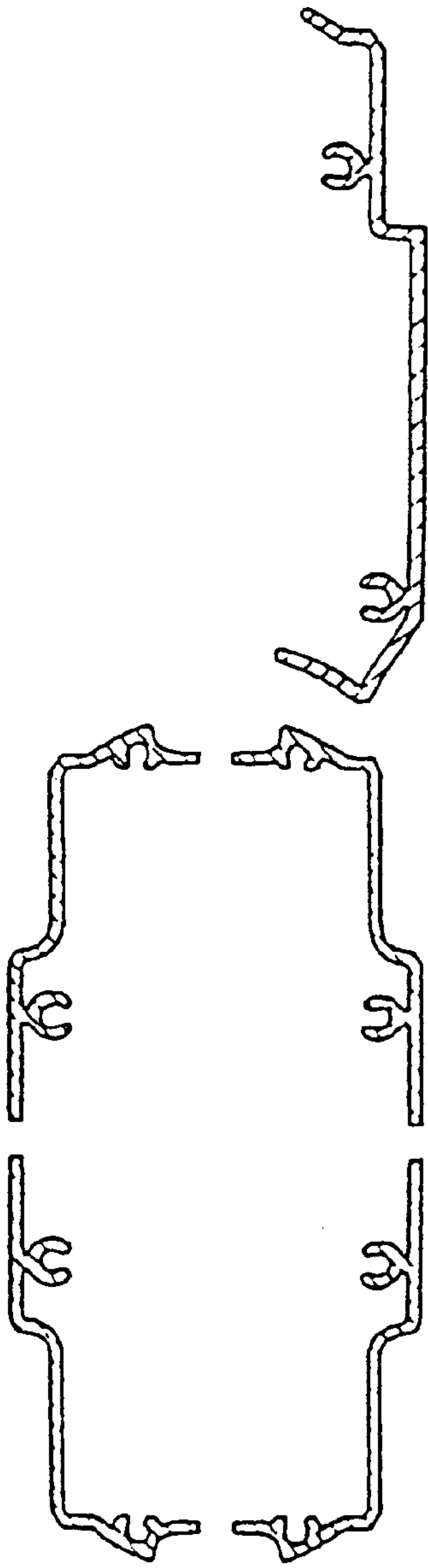


FIG. 2.

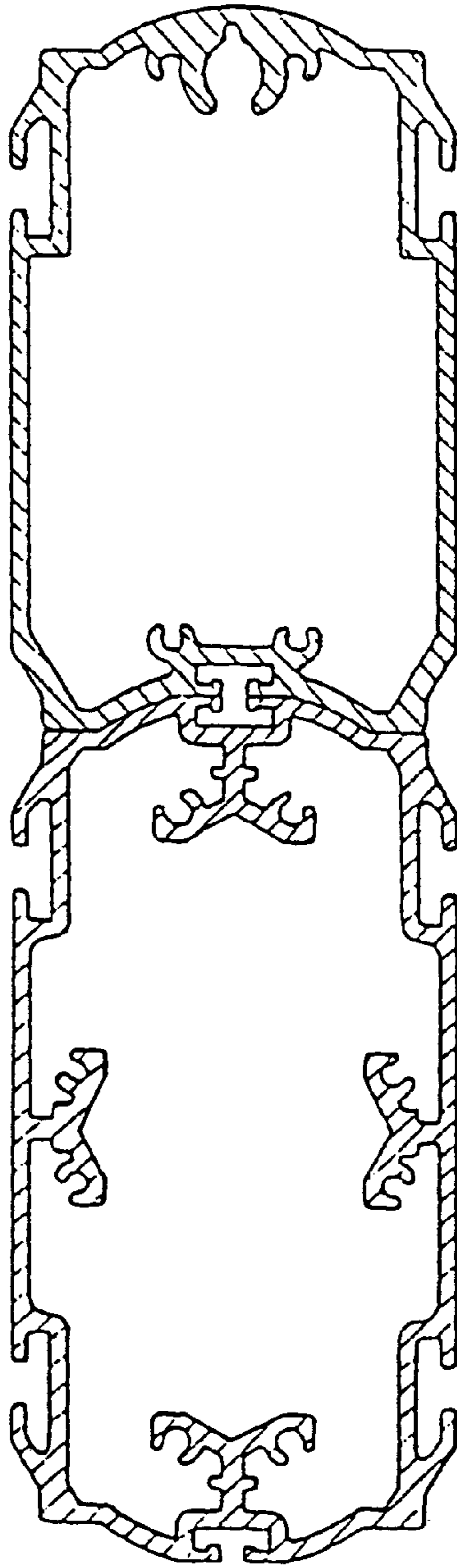


FIG. 3.

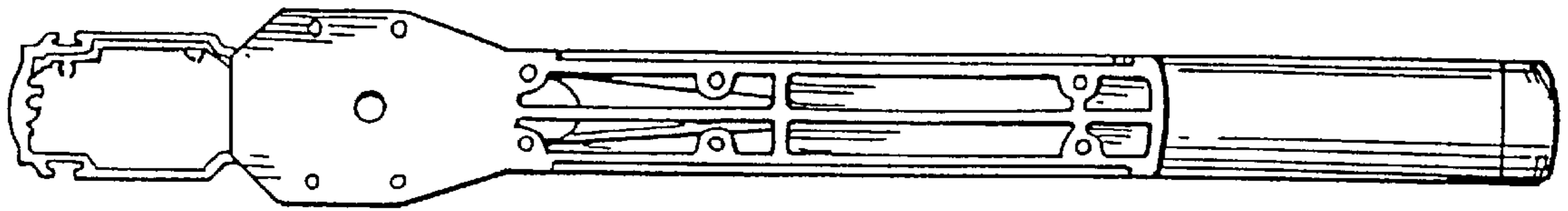


FIG. 4.

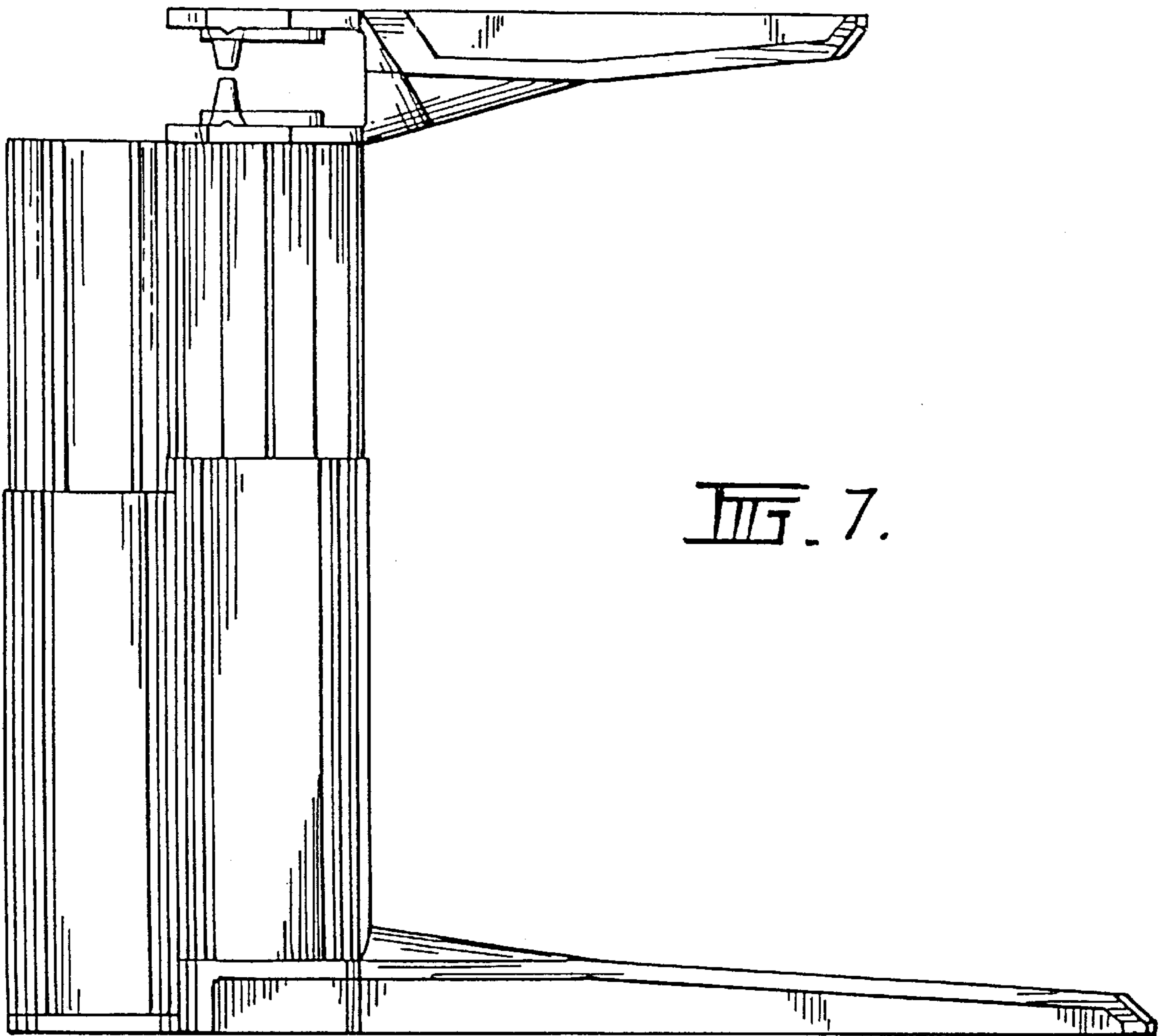


FIG. 7.

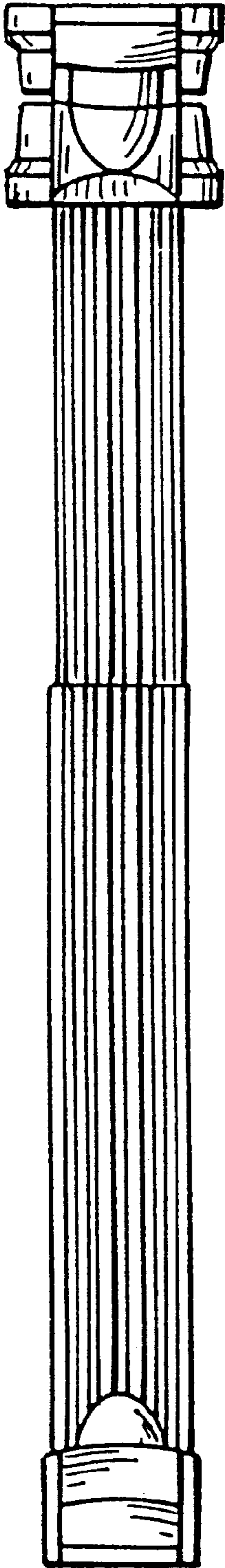


FIG. 5.

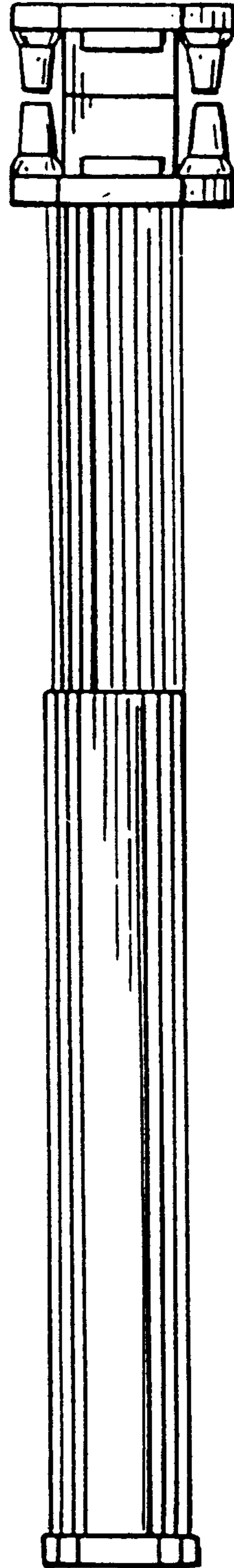


FIG. 6.