



US00D423254S

United States Patent [19]

Alcala et al.

[11] Patent Number: Des. 423,254

[45] Date of Patent: ** Apr. 25, 2000

[54] ART TABLE

[75] Inventors: Jose Alcala; Sofia Dumery; Sun Chul Kim, all of Brooklyn, N.Y.; Kimberly Leonard, Washington, D.C.; Andrew Schloss, New York, N.Y.

[73] Assignee: ABC school Supply, Inc., Duluth, Ga.

[**] Term: 14 Years

[21] Appl. No.: 29/100,177

[22] Filed: Feb. 4, 1999

[51] LOC (6) Cl. 06-03

[52] U.S. Cl. D6/484; D6/480; D6/477

[58] Field of Search D6/480-489, 495, D6/477, 469; 108/153.1, 156, 157.1, 161, 25, 26, 26.2; 188/188, 188.1

[56] **References Cited**

U.S. PATENT DOCUMENTS

D. 273,829 5/1984 Desnoyers D6/484

D. 279,632 7/1985 Marks D6/477
D. 355,088 2/1995 Dobbs D6/480
4,437,714 3/1984 Struck 312/281

Primary Examiner—Janice E. Seeger
Attorney, Agent, or Firm—Louis T. Isaf; Womble Carlyle Sandridge & Rice

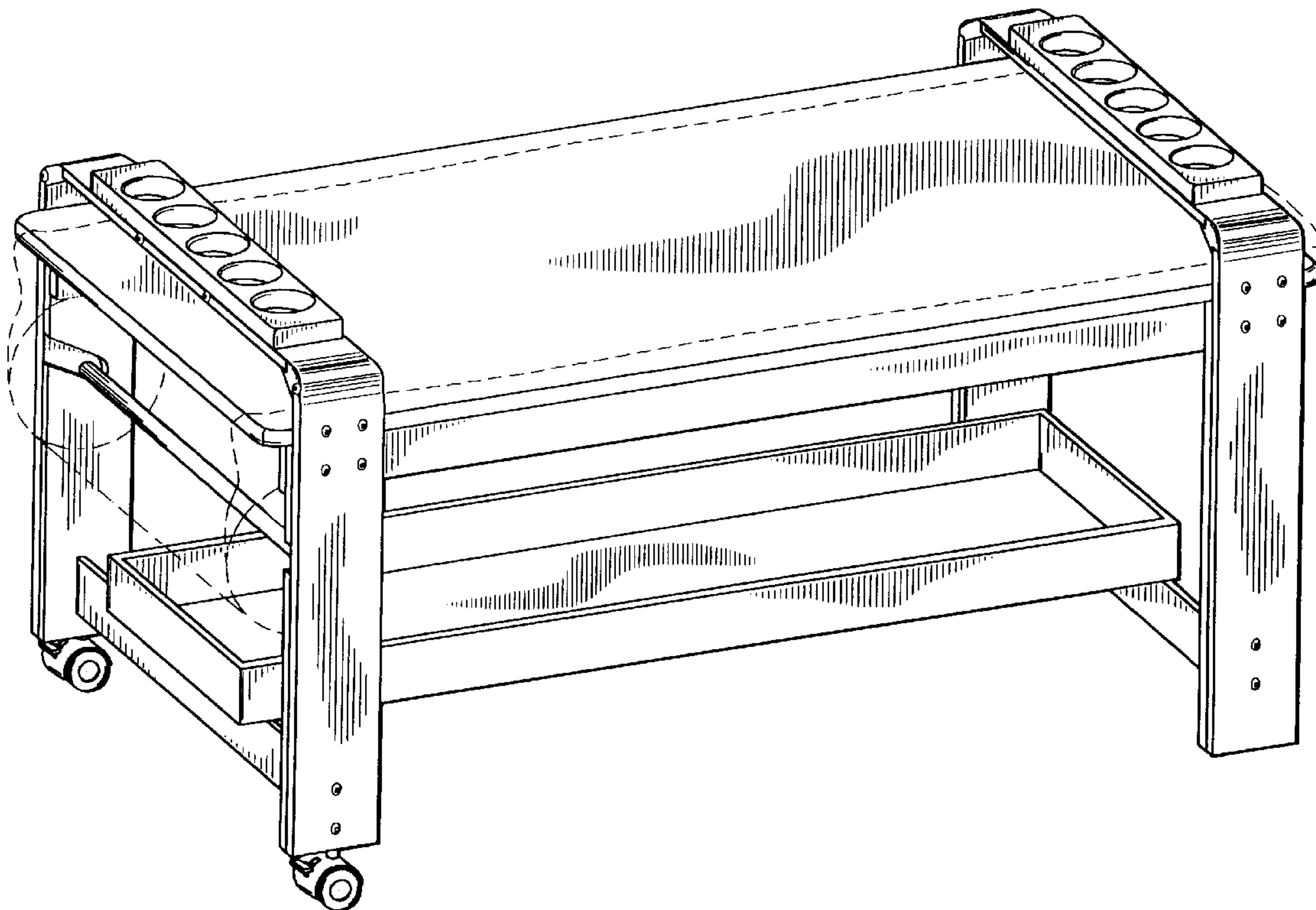
[57] **CLAIM**

The ornamental design for an art table, as shown and described.

DESCRIPTION

FIG. 1 is a perspective view of an art table, showing our new design; the broken lines are for environmental purposes only and form no part of the claimed design;
FIG. 2 is a left side view thereof;
FIG. 3 is a right side view thereof;
FIG. 4 is a front side view thereof;
FIG. 5 is a rear side view thereof;
FIG. 6 is a top view thereof; and,
FIG. 7 is a bottom view thereof.

1 Claim, 3 Drawing Sheets



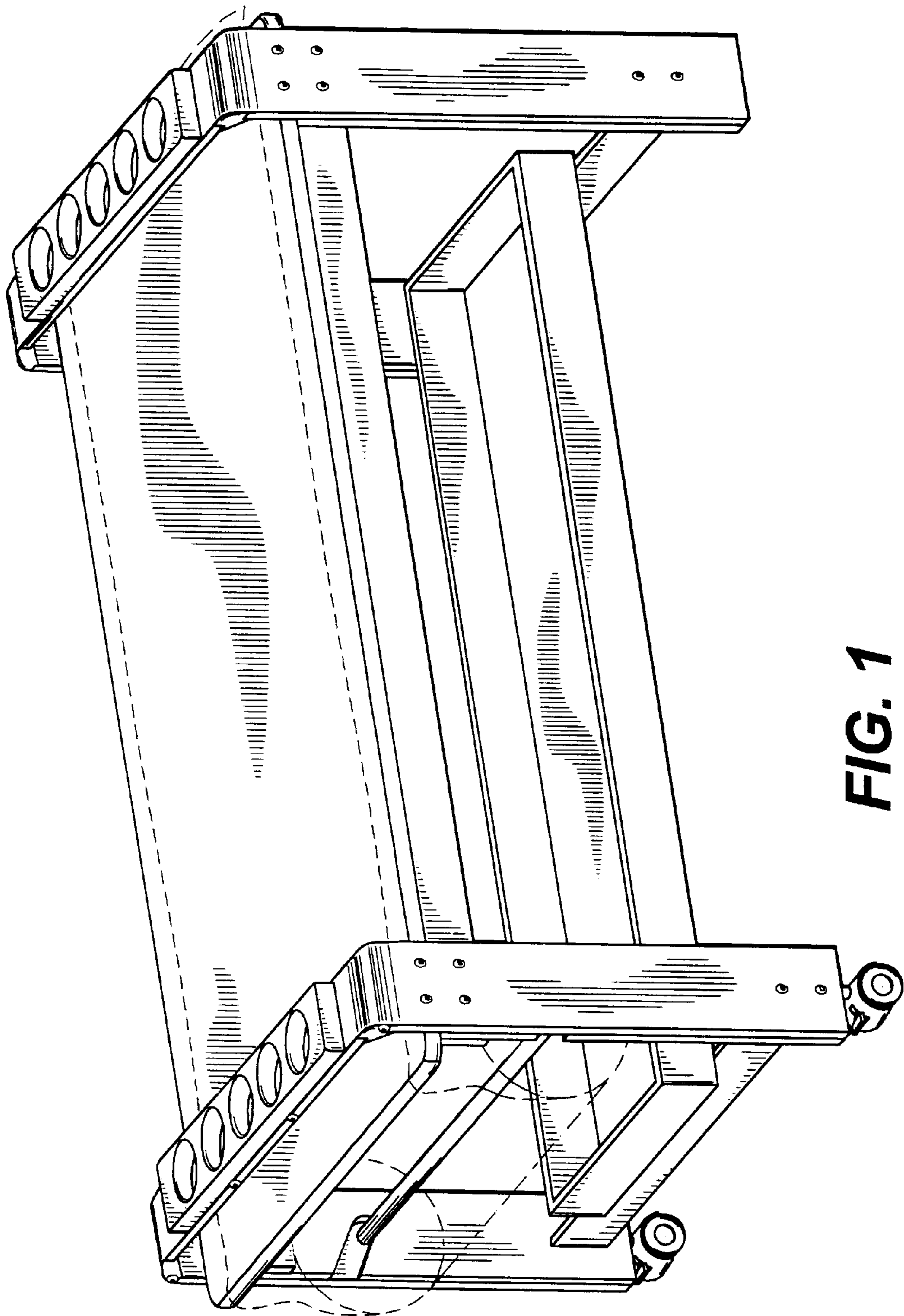


FIG. 1

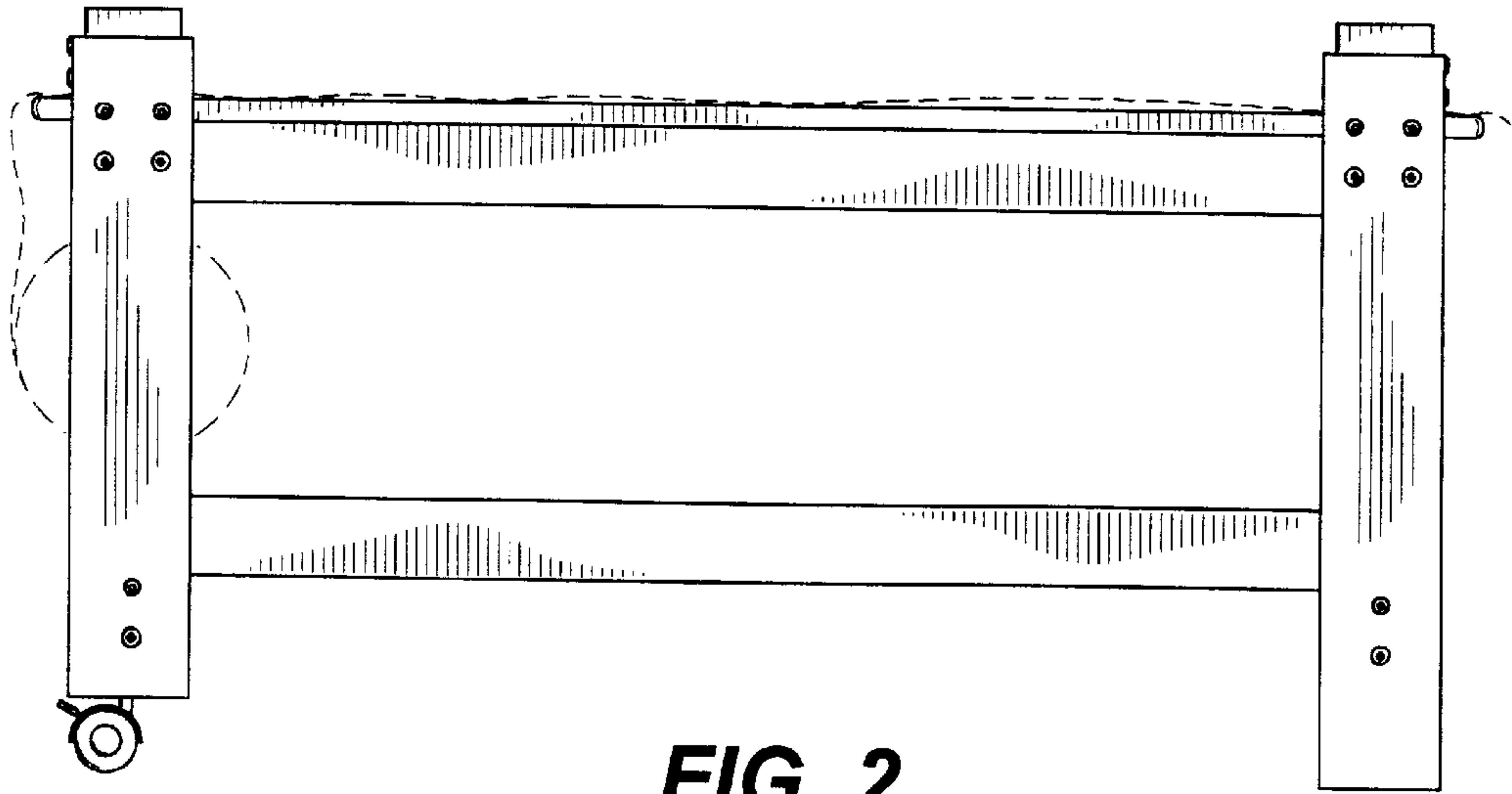


FIG. 2

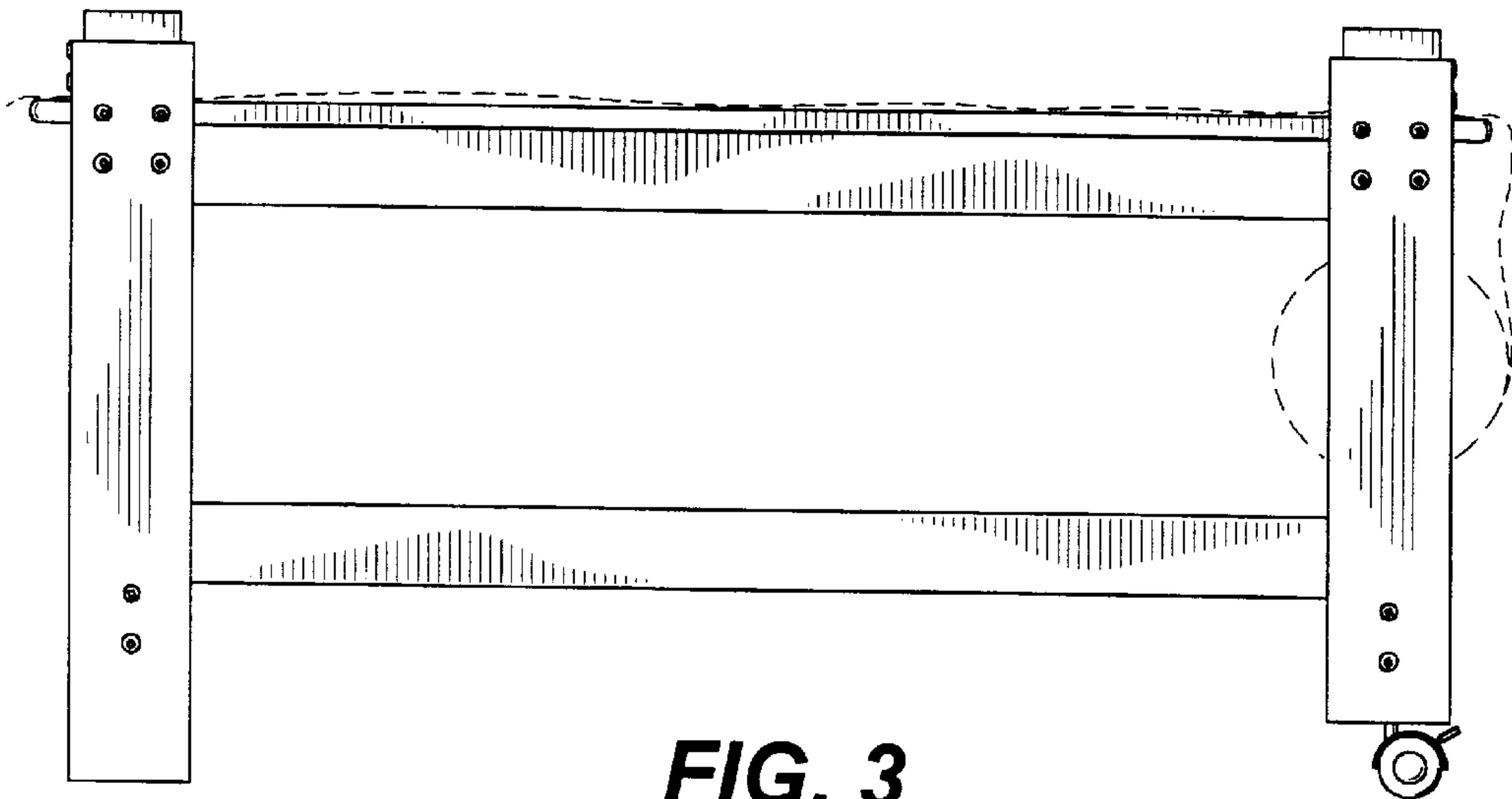


FIG. 3

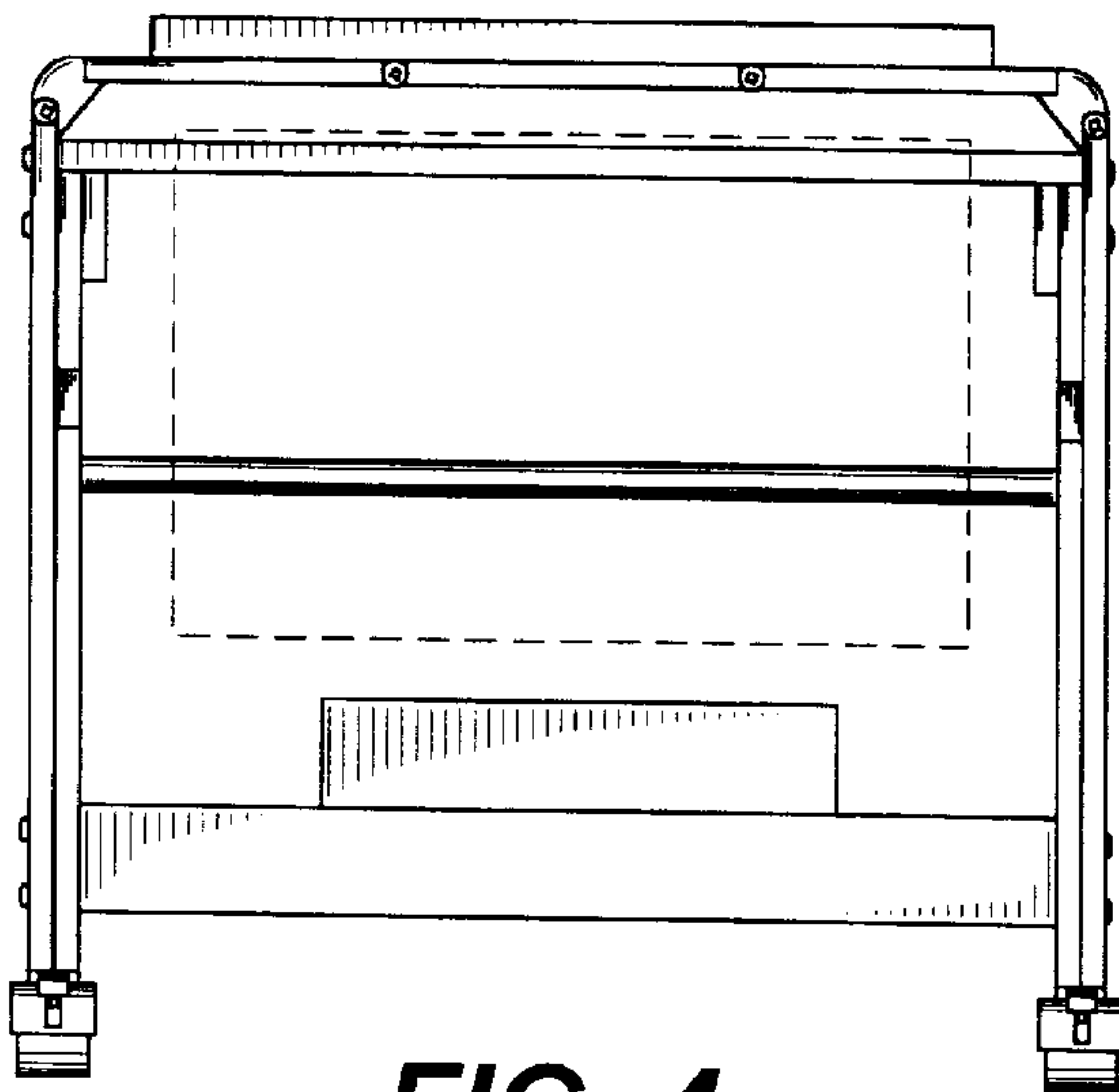


FIG. 4

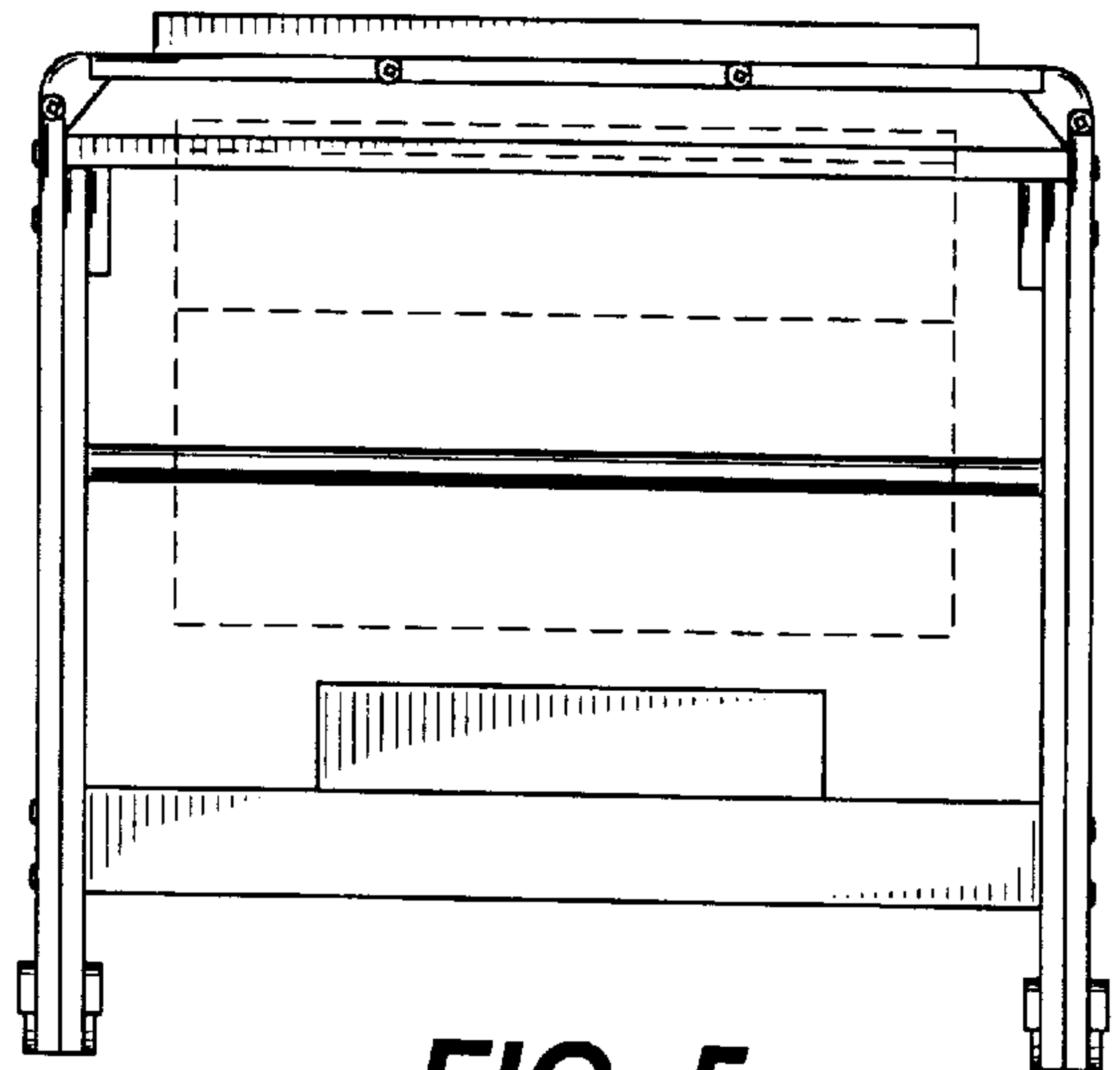


FIG. 5

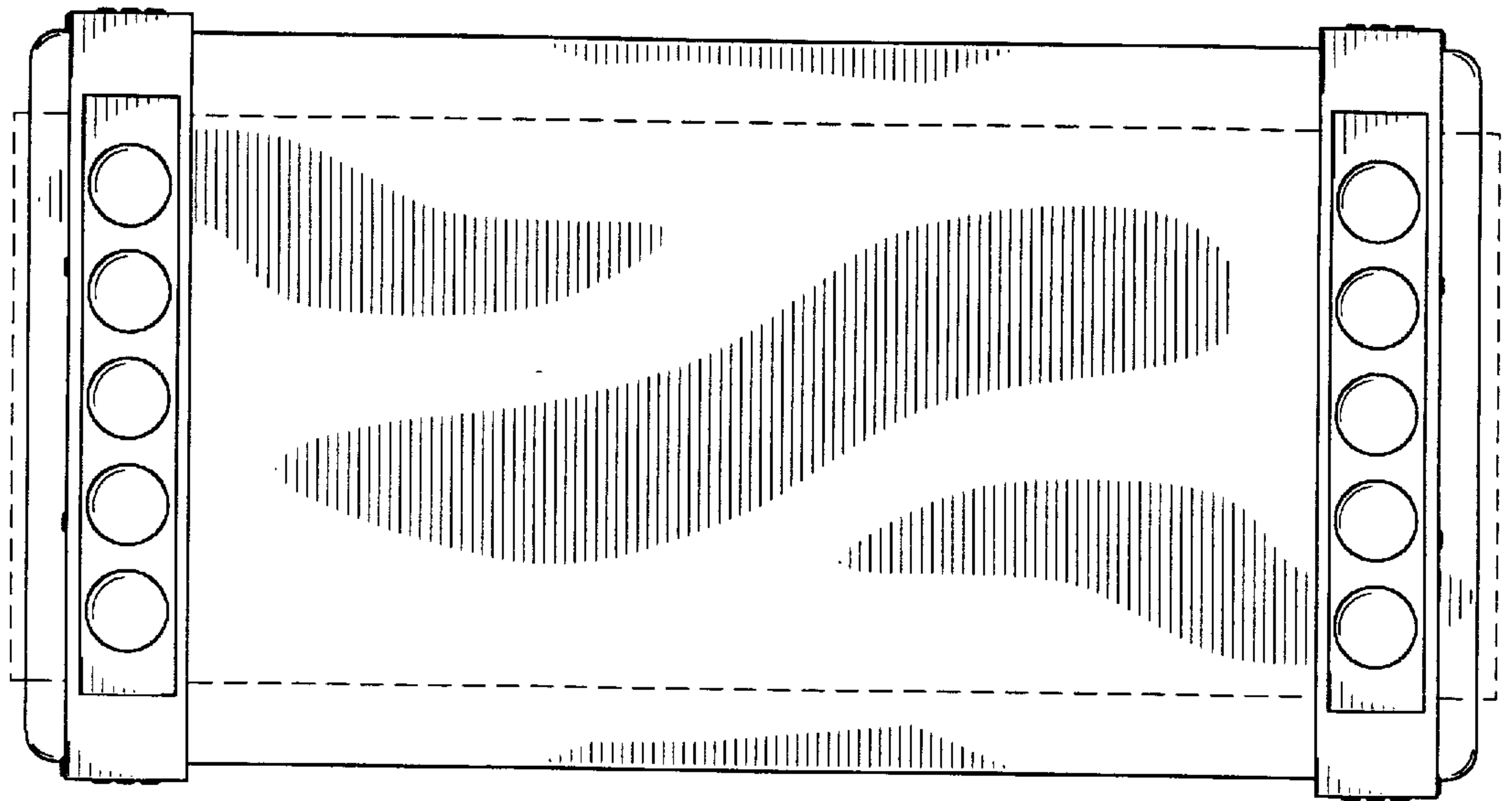


FIG. 6

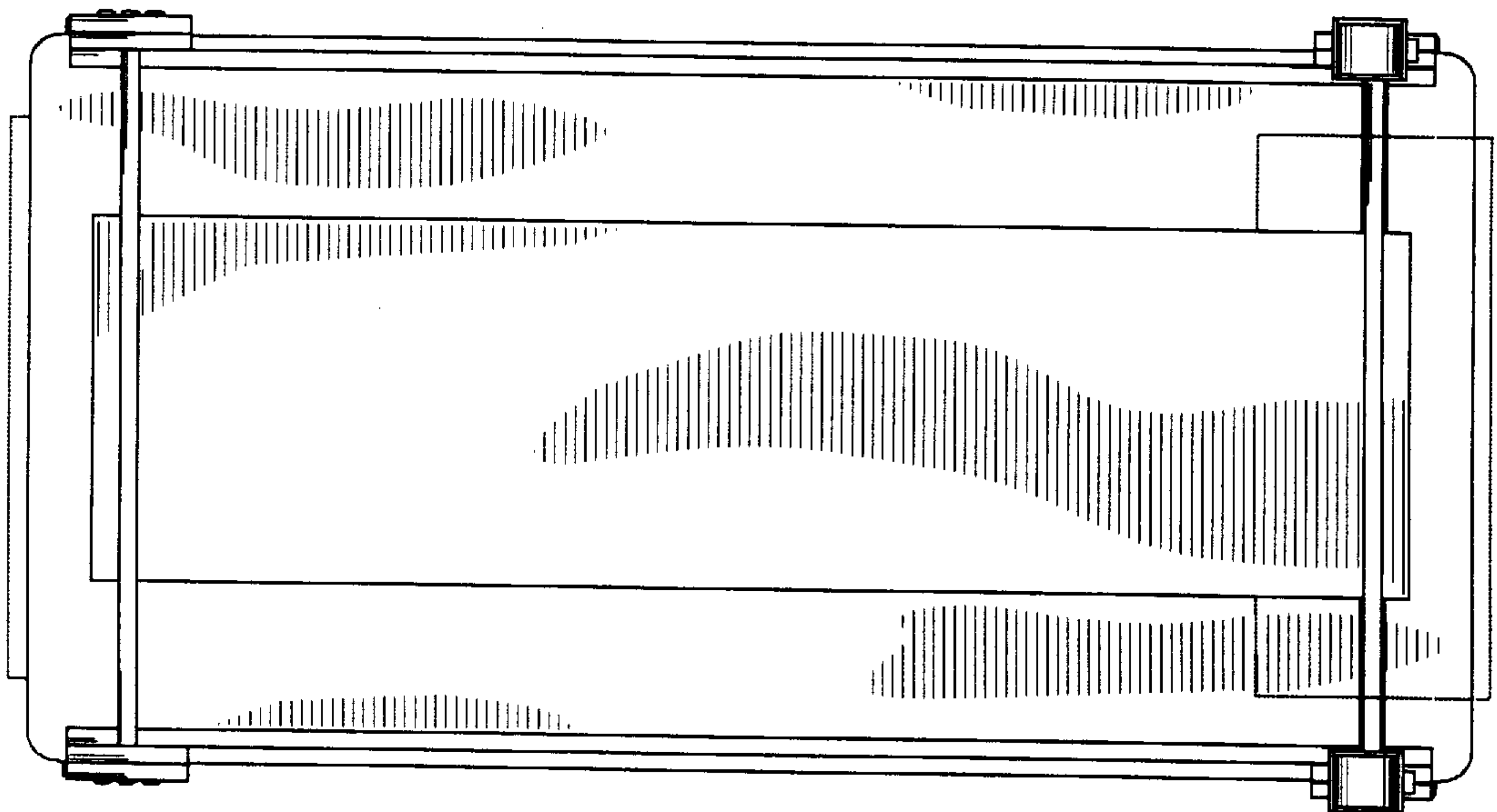


FIG. 7