



US00D423252S

**United States Patent** [19]  
**Miranda**

[11] **Patent Number: Des. 423,252**

[45] **Date of Patent: \*\* Apr. 25, 2000**

[54] **DISPLAY FOR CIGARS**

D. 261,701 11/1981 Ovitz, III ..... D6/449 X  
D. 283,862 5/1986 Edson et al. .... D6/459 X  
D. 289,837 5/1987 Luckey ..... D6/471

[76] Inventor: **Nestor Miranda**, 2533 NW. 74 Ave.,  
Miami, Fla. 33145

[\*\*] Term: **14 Years**

*Primary Examiner*—Cathron B. Matta  
*Attorney, Agent, or Firm*—J. Sanchelima

[21] Appl. No.: **29/100,658**

[57] **CLAIM**

[22] Filed: **Feb. 12, 1999**

The ornamental design for display for cigars, as shown and described.

[51] **LOC (6) Cl.** ..... **06-04**

**DESCRIPTION**

[52] **U.S. Cl.** ..... **D6/459; D6/472**

[58] **Field of Search** ..... D6/396, 449, 455,  
D6/459, 460, 461, 462, 463, 464, 465,  
470, 471, 472, 473, 474; D7/701, 703,  
708; D27/183, 184; 108/59, 91, 92, 106;  
211/85.4, 70.3; 312/114

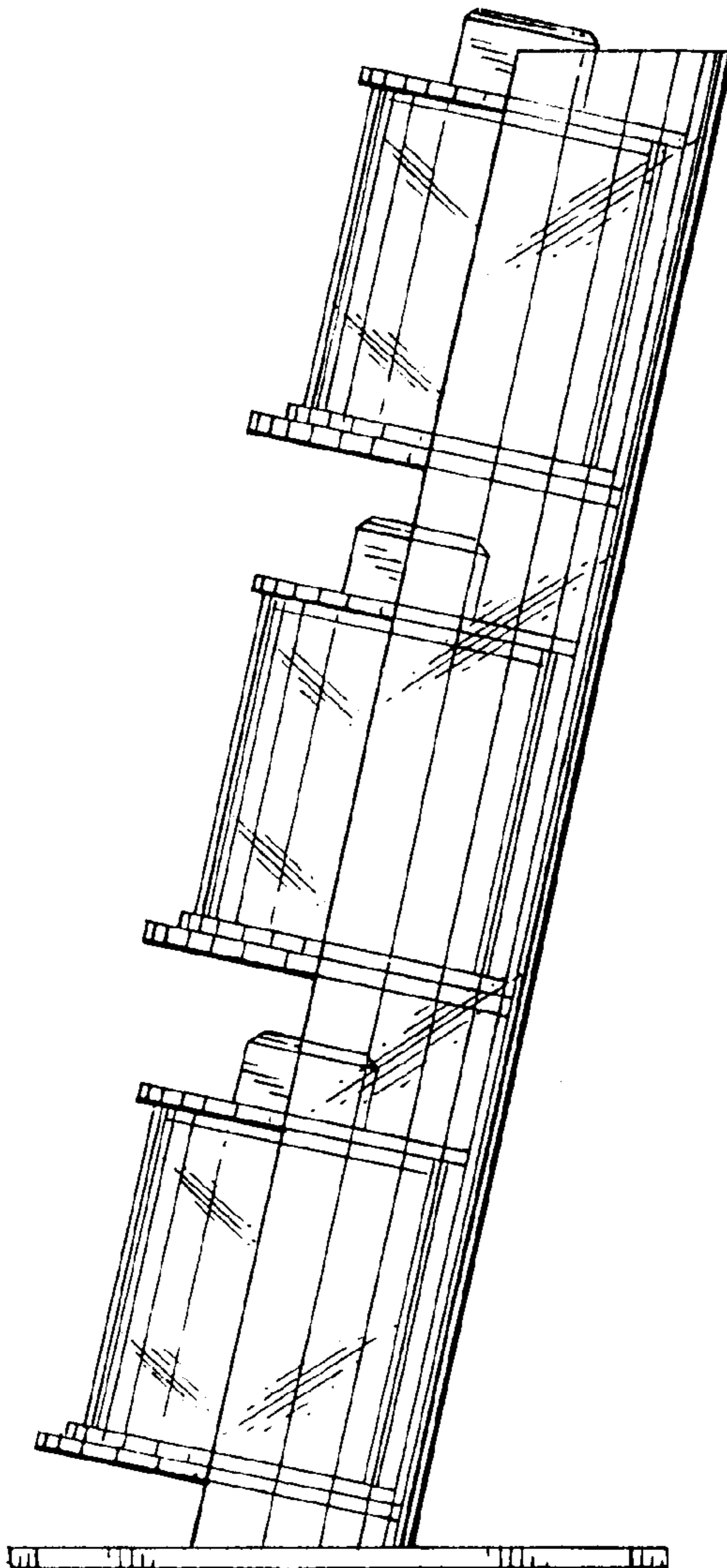
FIG. 1 is a top plan view thereof;  
FIG. 2 is a front elevational view of a display for cigars showing my new design;  
FIG. 3 is a bottom plan view thereof;  
FIG. 4 is a side elevational view thereof; and,  
FIG. 5 is a rear view thereof.

[56] **References Cited**

**U.S. PATENT DOCUMENTS**

D. 112,261 11/1938 Luckey ..... D6/471

**1 Claim, 2 Drawing Sheets**



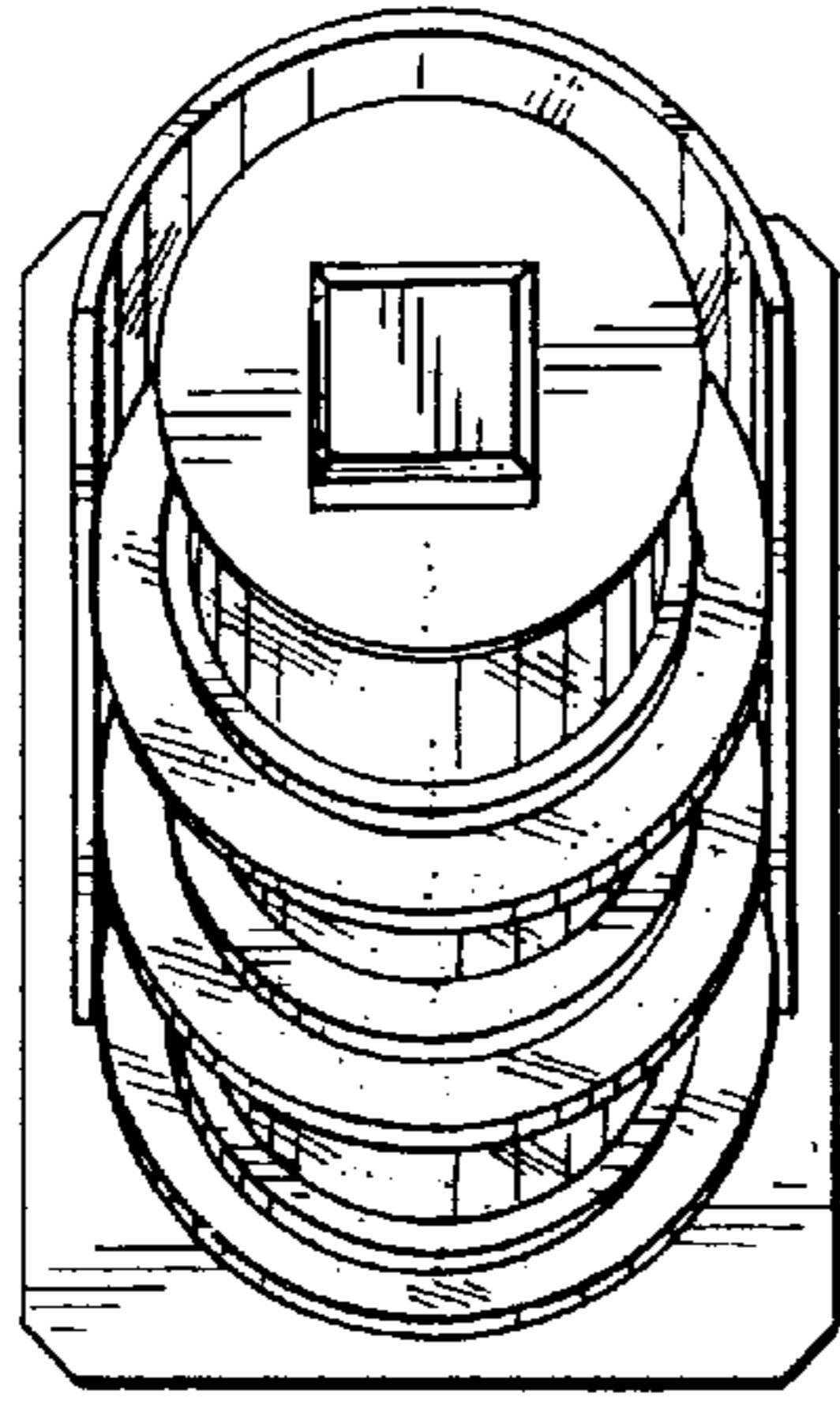


FIG. 1.

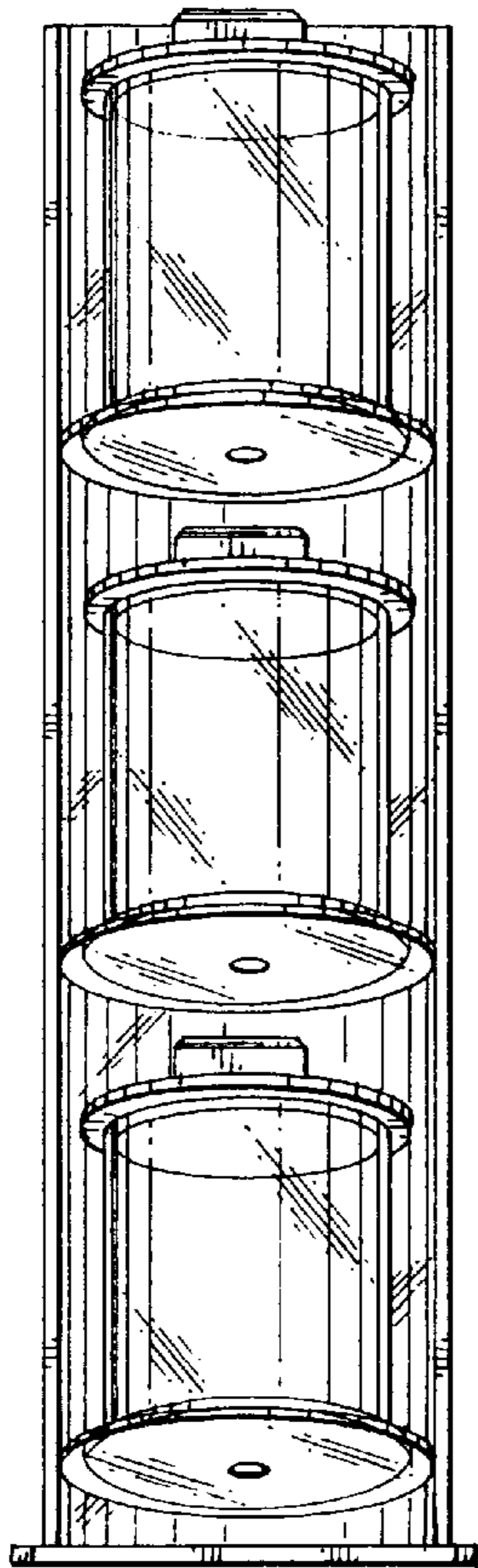


FIG. 2.

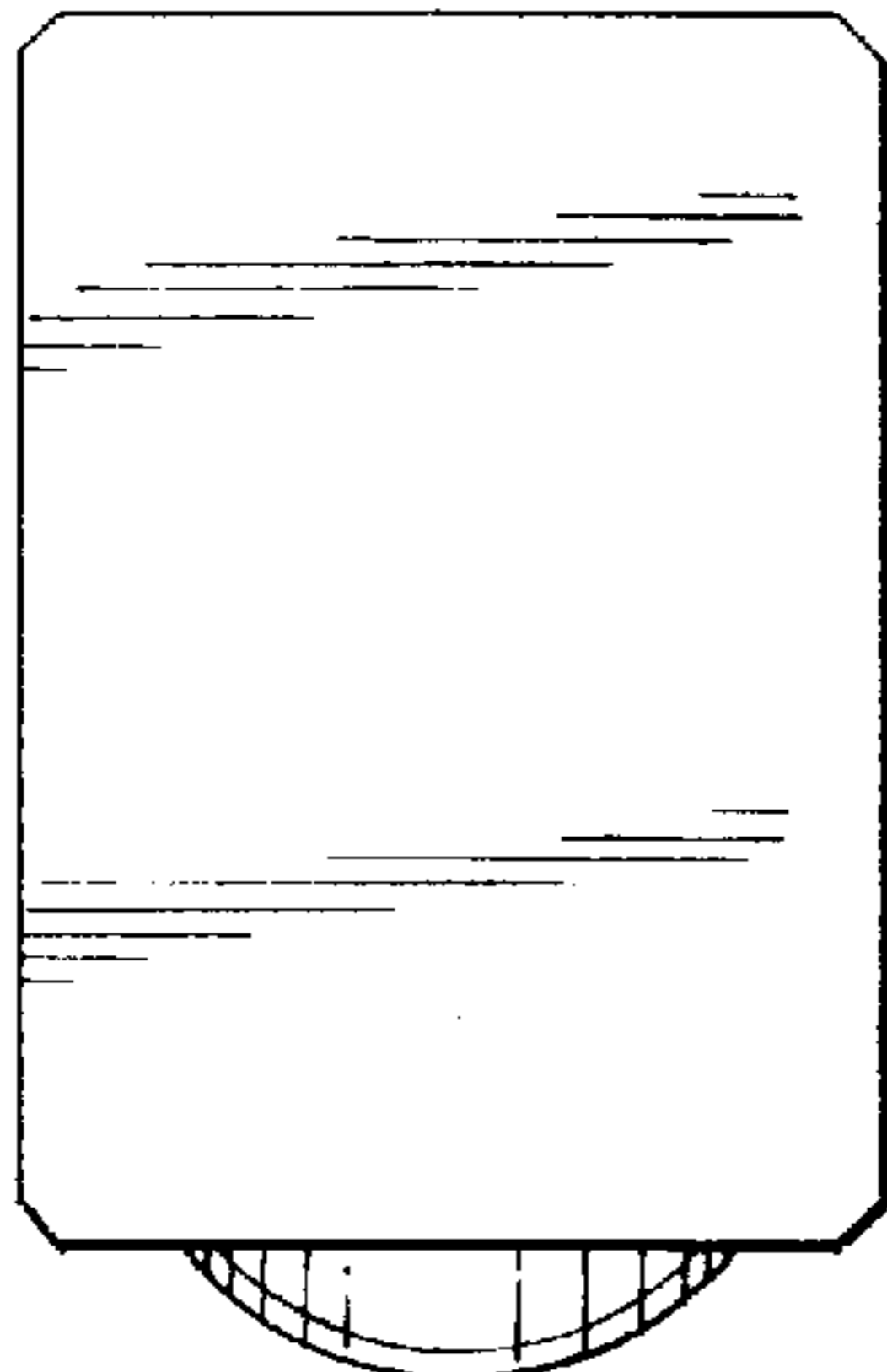


FIG. 3.

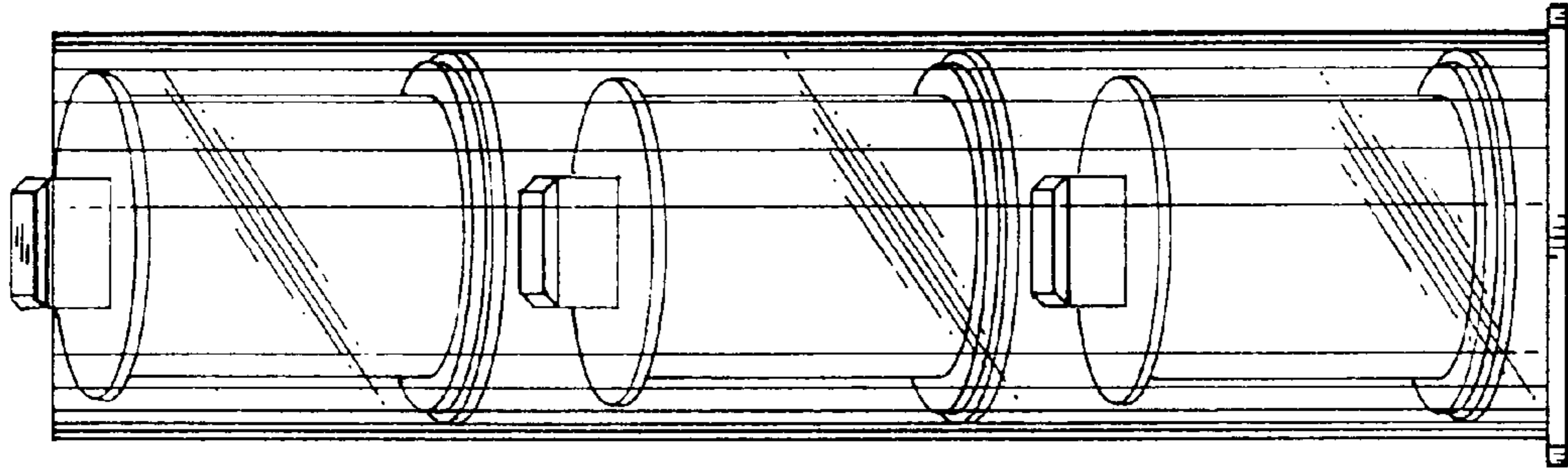


FIG. 5 -

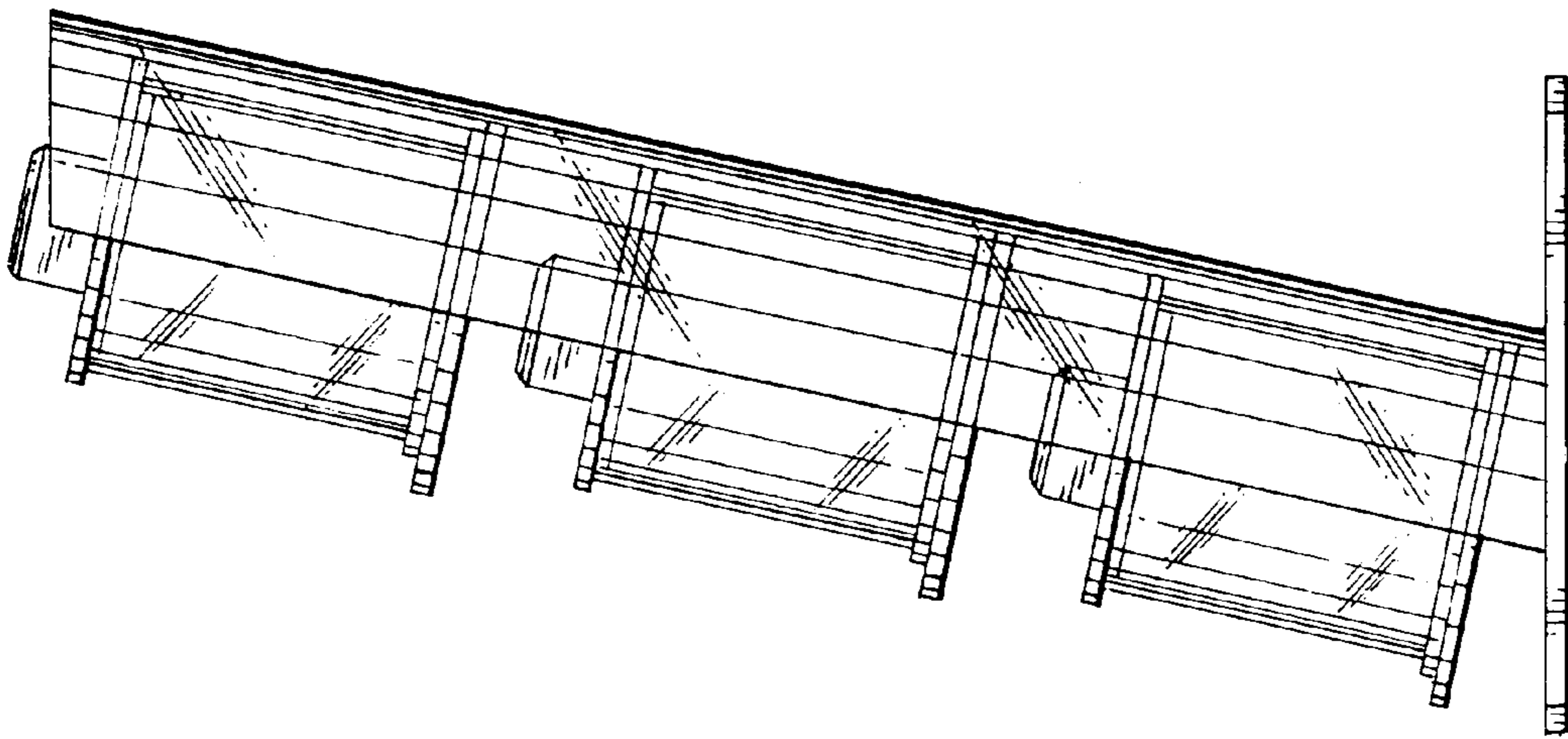


FIG. 4 -