



US00D423250S

**United States Patent** [19]  
**Wolff**

[11] **Patent Number: Des. 423,250**

[45] **Date of Patent: \*\* Apr. 25, 2000**

[54] **COSMETIC CABINET**

[76] Inventor: **Amy Wolff**, 1730 N. Clark St., Apt. 807, Chicago, Ill. 60614

[\*\*] Term: **14 Years**

[21] Appl. No.: **29/098,414**

[22] Filed: **Dec. 29, 1998**

[51] **LOC (6) Cl.** ..... **06-04**

[52] **U.S. Cl.** ..... **D6/441**

[58] **Field of Search** ..... D28/73, 76, 77, D28/78; D3/901, 294, 295, 296; D6/432-448; 312/204

[56] **References Cited**

**U.S. PATENT DOCUMENTS**

- D. 116,574 9/1939 Pellegrin et al. .... D6/441
- D. 157,362 2/1950 Francis ..... D6/441
- D. 160,123 9/1950 Reinheimer et al. .... D6/441
- D. 161,152 12/1950 Baker et al. .... D6/441

- D. 328,206 7/1992 Lewis ..... D6/481
- D. 387,498 12/1997 Sussman ..... D28/73
- D. 403,121 12/1998 Sussman ..... D3/78

*Primary Examiner*—Carmen H. Vales-Lado  
*Attorney, Agent, or Firm*—James M. Amend, P.C.

[57] **CLAIM**

The ornamental design for a cosmetic cabinet, as shown and described.

**DESCRIPTION**

FIG. 1 is a perspective view of the cosmetic cabinet showing my new design;  
FIG. 2 is a front elevational view thereof;  
FIG. 3 is a side elevational view, the opposite side being a mirror image thereof;  
FIG. 4 is a top plan view thereof;  
FIG. 5 is a rear elevational view thereof; and,  
FIG. 6 is a bottom plan view thereof.

**1 Claim, 1 Drawing Sheet**

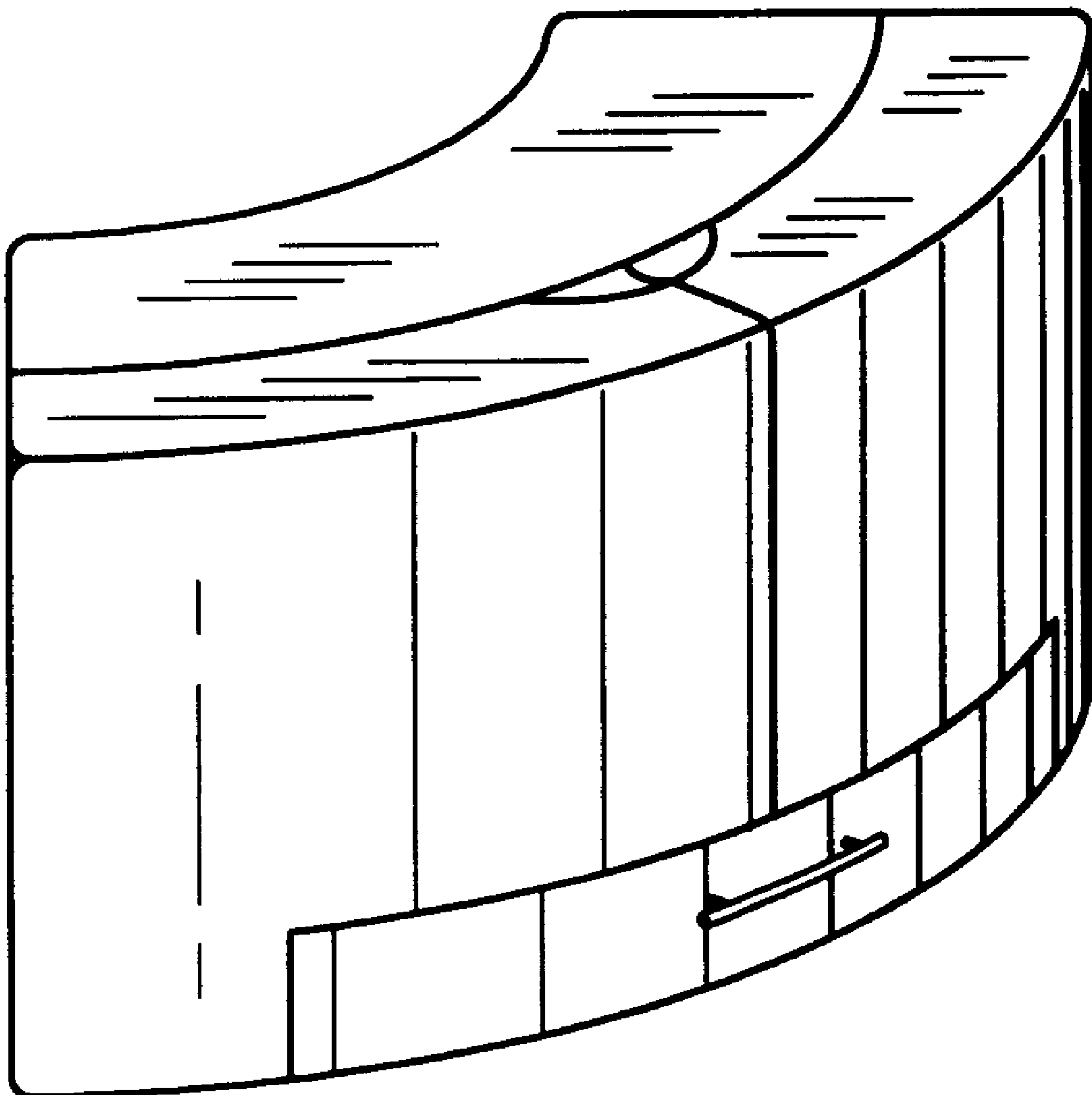


FIG. 1

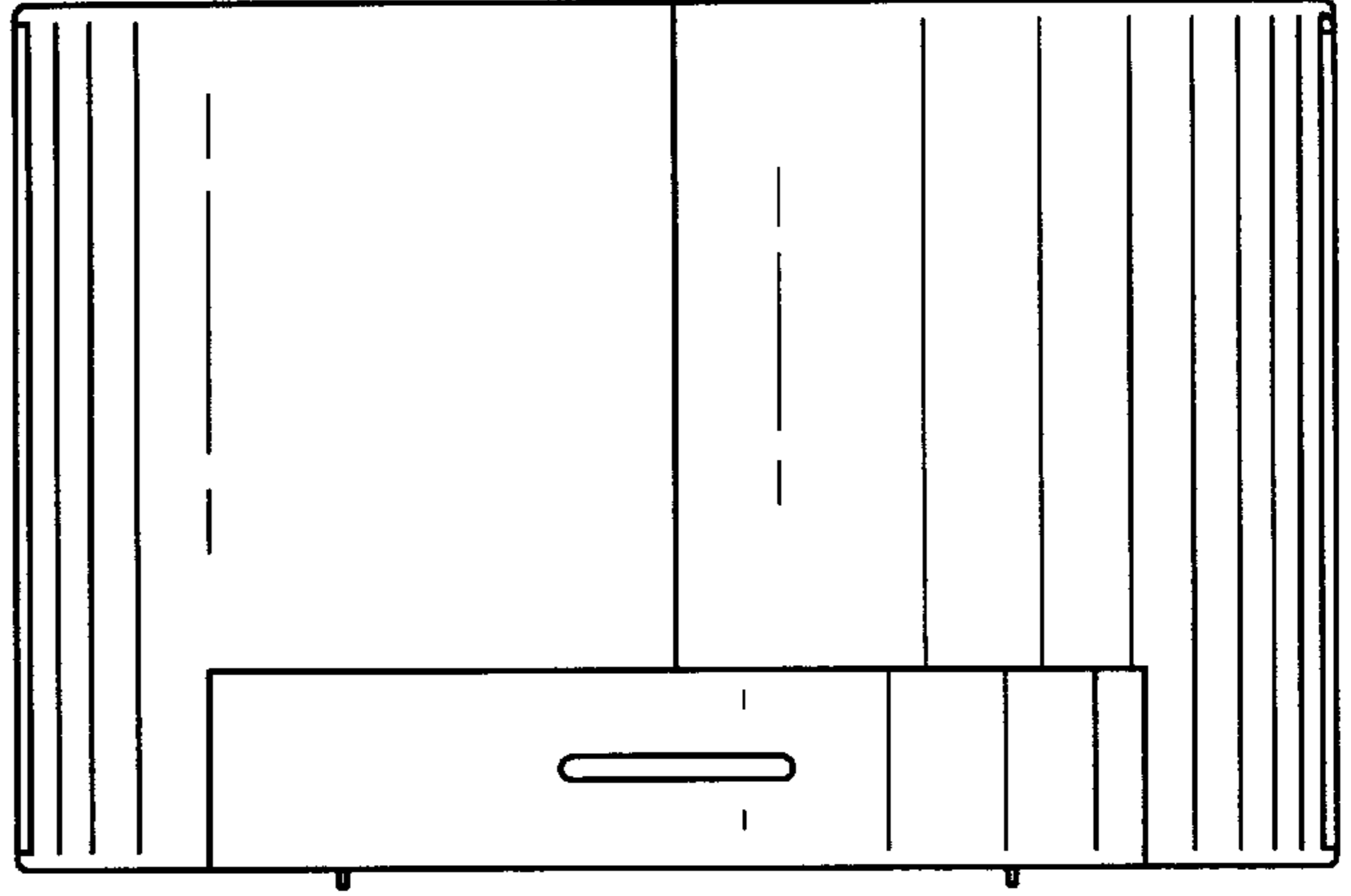
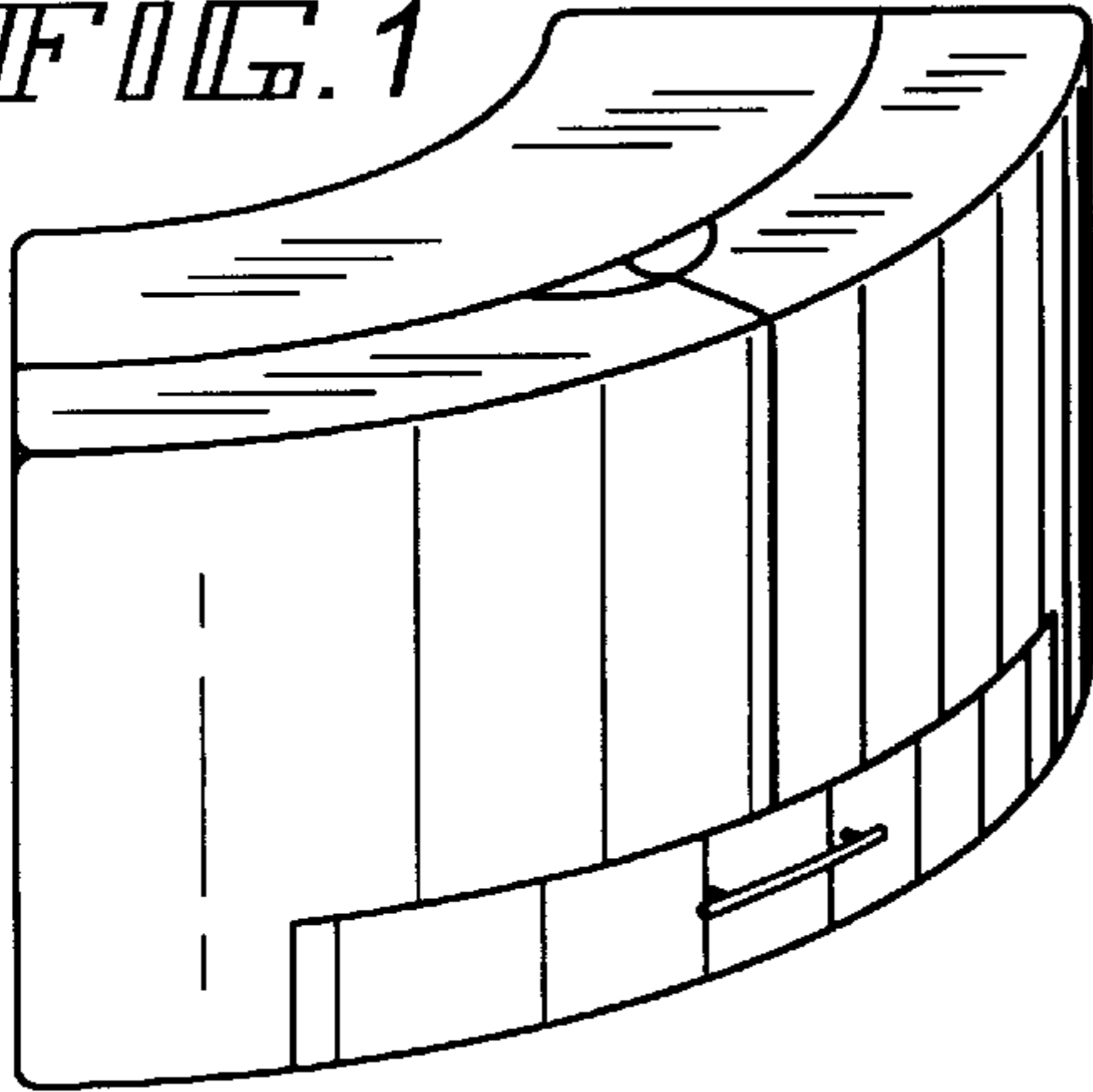


FIG. 2

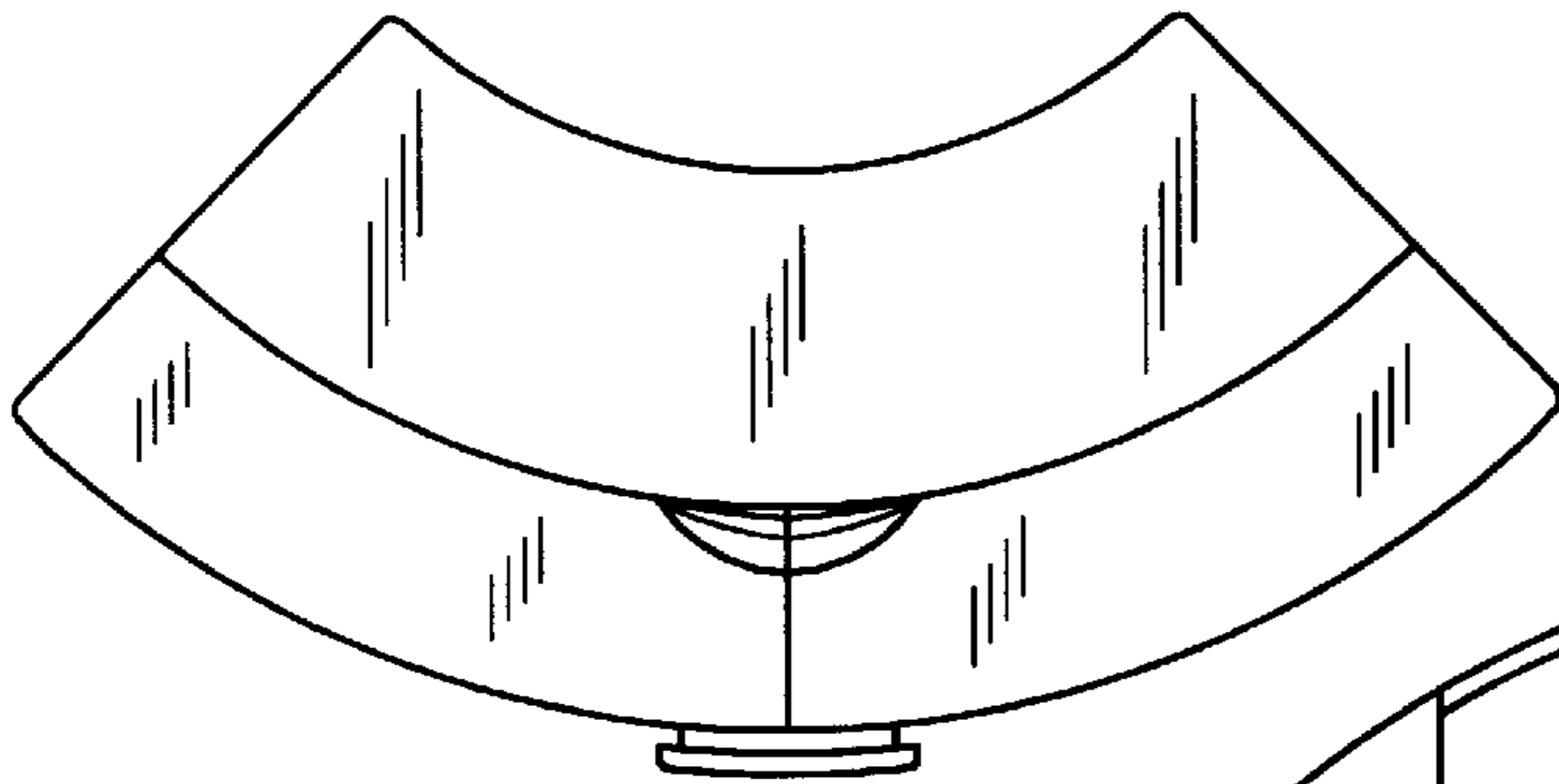


FIG. 4

FIG. 6

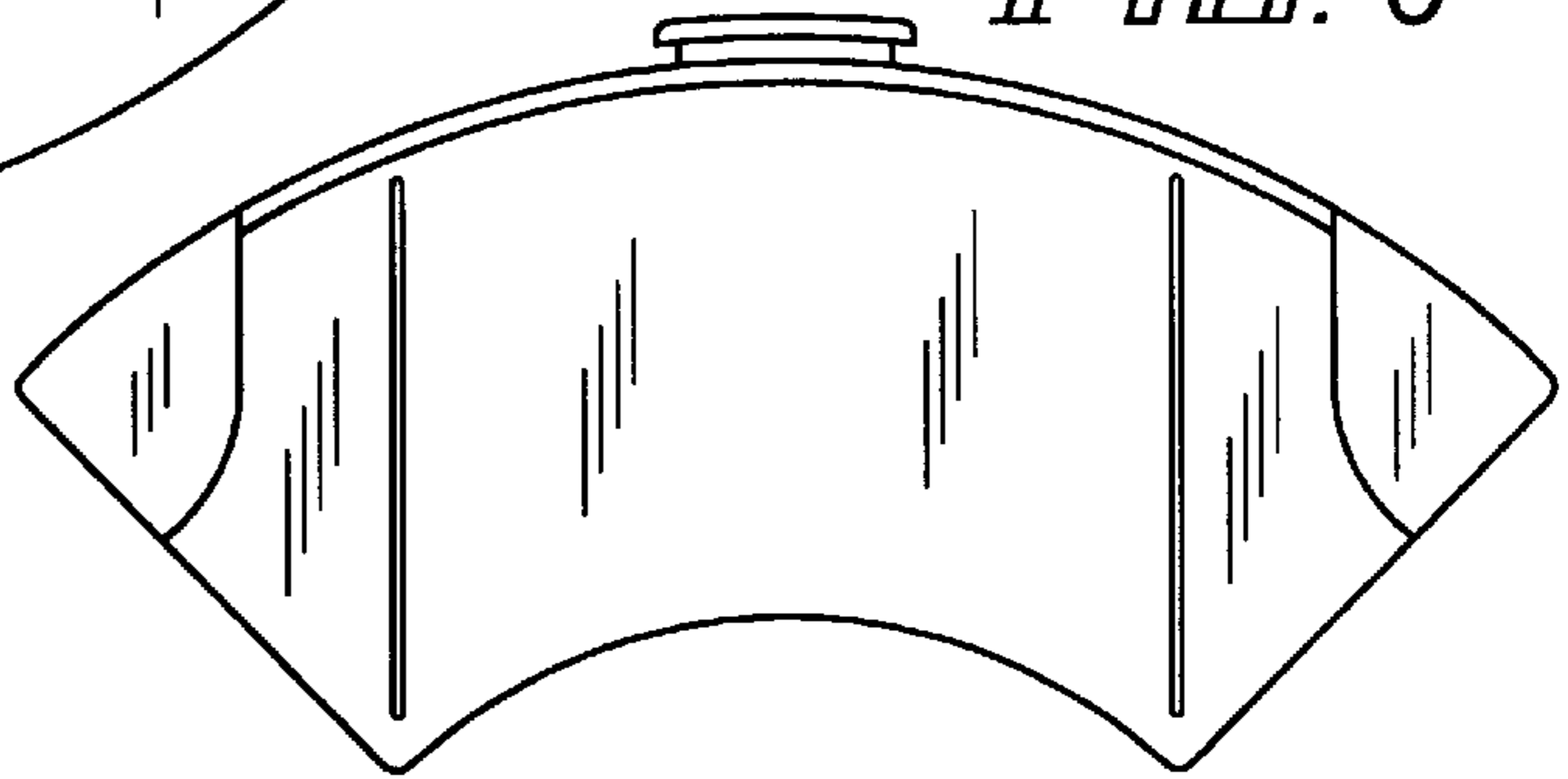


FIG. 3

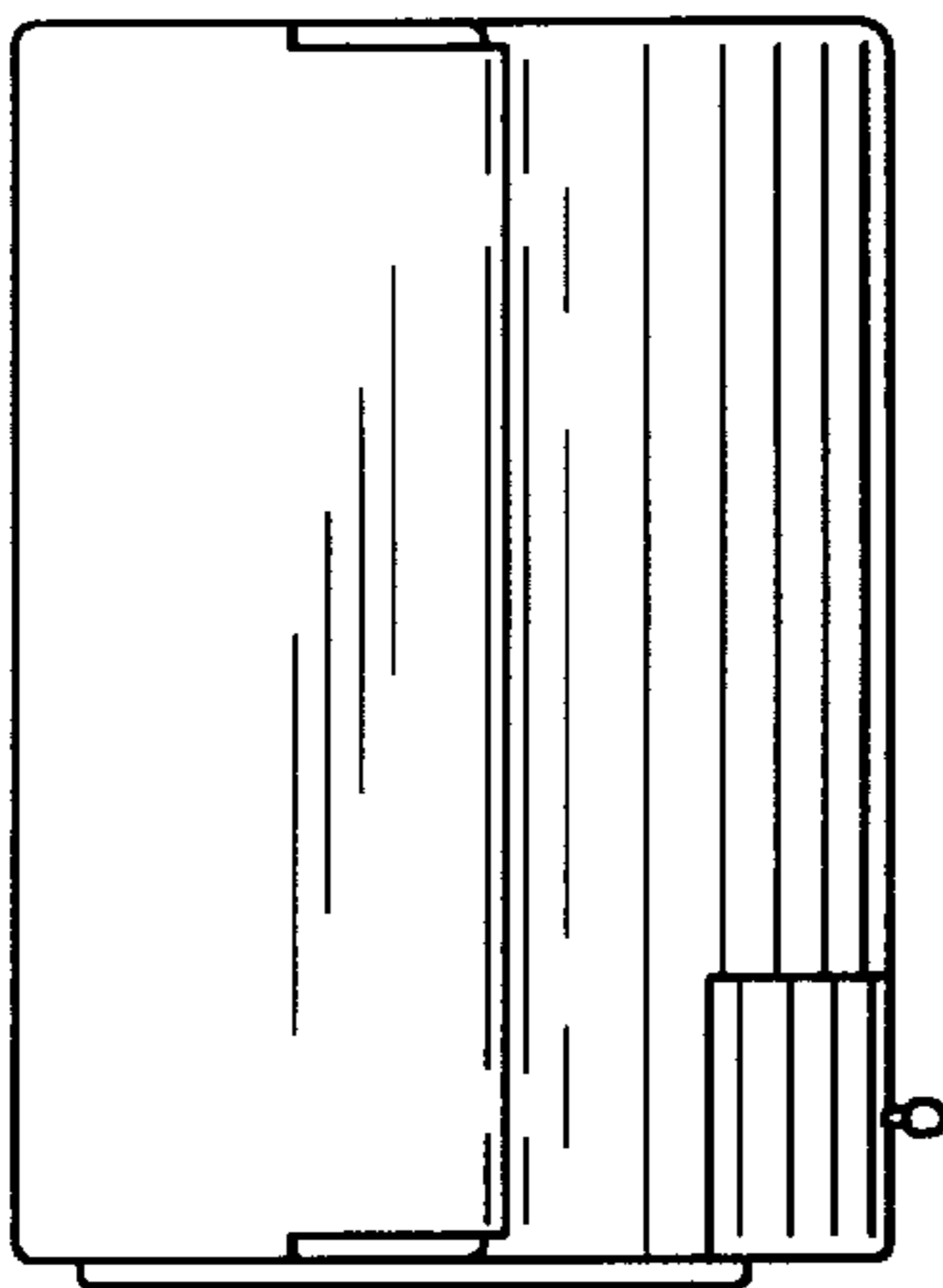


FIG. 5

