



US00D423249S

United States Patent [19] Hawang

[11] **Patent Number: Des. 423,249**

[45] **Date of Patent: ** Apr. 25, 2000**

[54] **CABINET**

D. 401,763 12/1998 Wolff D3/273
5,603,558 2/1997 Zimmer 312/290

[75] Inventor: **James Hawang**, Taipei, Taiwan

Primary Examiner—Cathron B. Matta
Attorney, Agent, or Firm—Bacon & Thomas, PLLC

[73] Assignee: **Kenmark Industrial Co., Ltd.**, Taipei, Taiwan

[57] **CLAIM**

[**] Term: **14 Years**

The ornamental design for cabinet, as shown and described.

[21] Appl. No.: **29/108,200**

DESCRIPTION

[22] Filed: **Jul. 23, 1999**

[51] **LOC (6) Cl.** **06-04**

[52] **U.S. Cl.** **D6/440; D6/448**

[58] **Field of Search** D6/432, 440, 448;
D3/272, 273, 294, 903; 206/499; 312/183,
193

FIG. 1 is a perspective view of a cabinet;
FIG. 2 is a front elevation view thereof;
FIG. 3 is a rear elevation view thereof;
FIG. 4 is a left plan elevation view thereof;
FIG. 5 is a right plan elevation view thereof;
FIG. 6 is a top plan view thereof;
FIG. 7 is a bottom plan view thereof; and,
FIG. 8 is a perspective view with the lid shown in the open position, and a removeable tray shown removed for completeness of illustration.

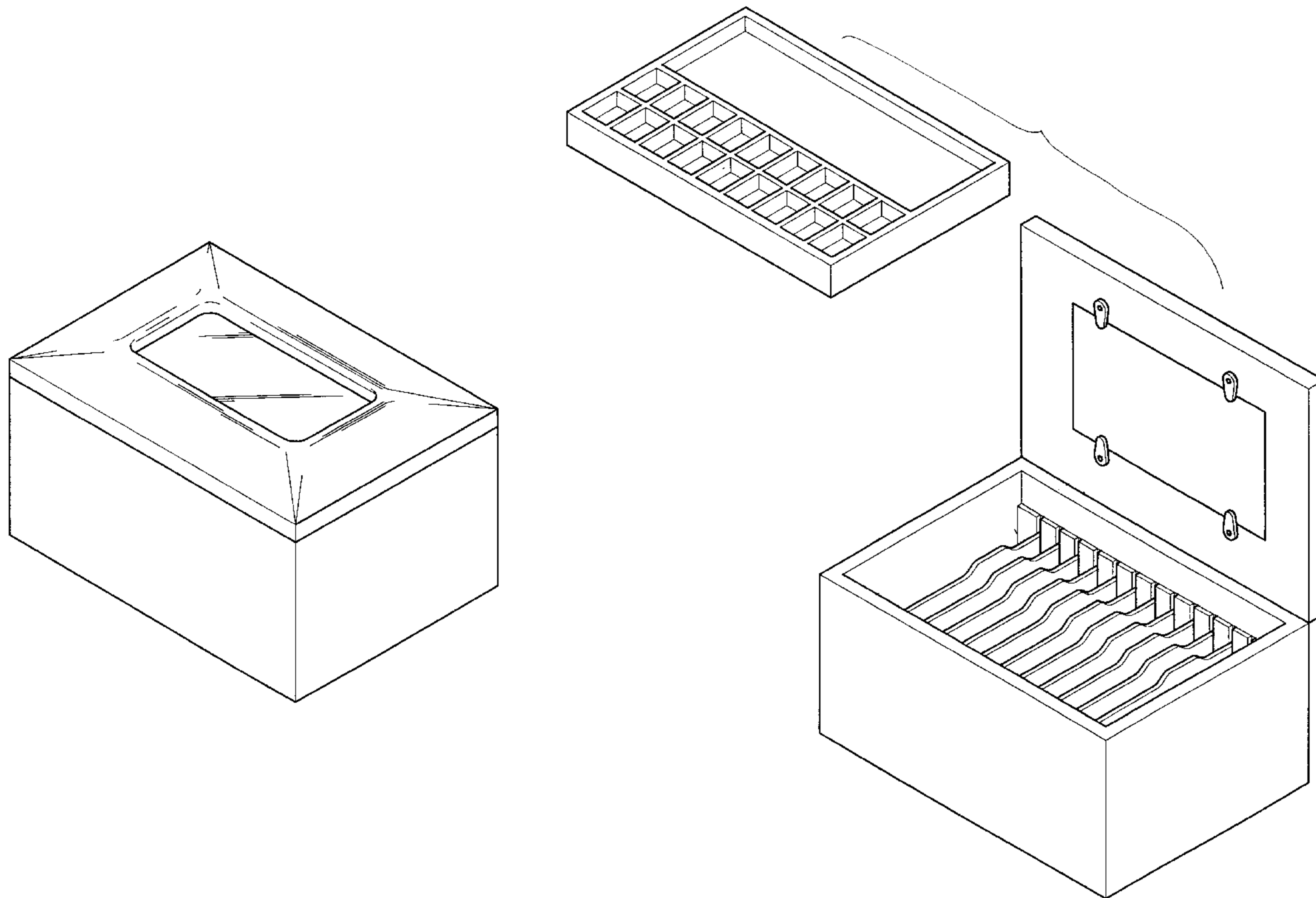
[56] **References Cited**

U.S. PATENT DOCUMENTS

D. 236,291 8/1975 Schurman D3/273 X
D. 284,424 7/1986 Gotlib et al. D3/903 X
D. 295,470 5/1988 Uredat-Neuhoff D6/448 X
D. 360,778 8/1995 Apt, III et al. D6/448
D. 372,378 8/1996 Kruger D6/448

The surface(s) or portion(s) of the article not shown in the drawing or described in the specification form(s) no part of the claimed design.

1 Claim, 5 Drawing Sheets



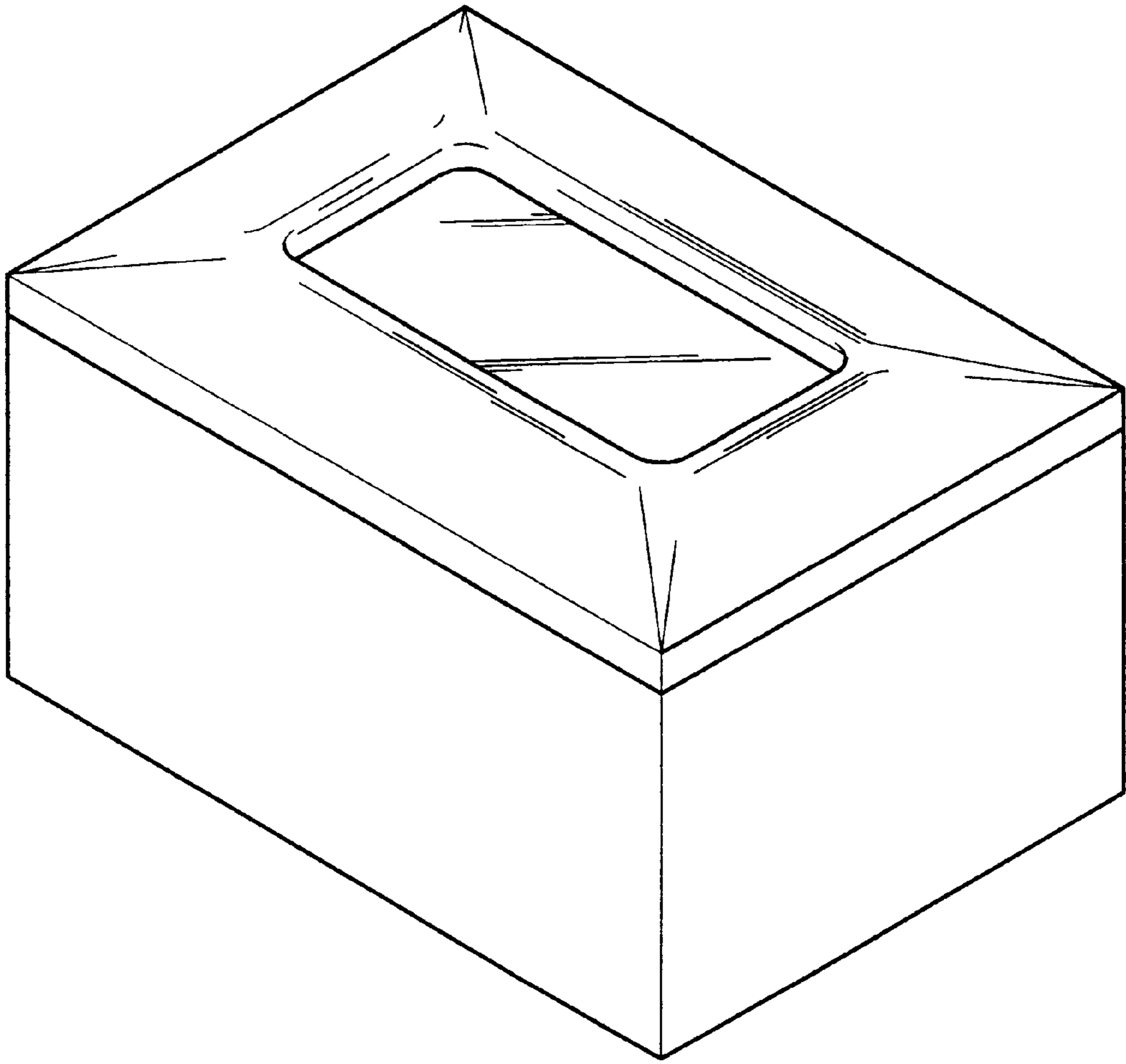


FIG. 1

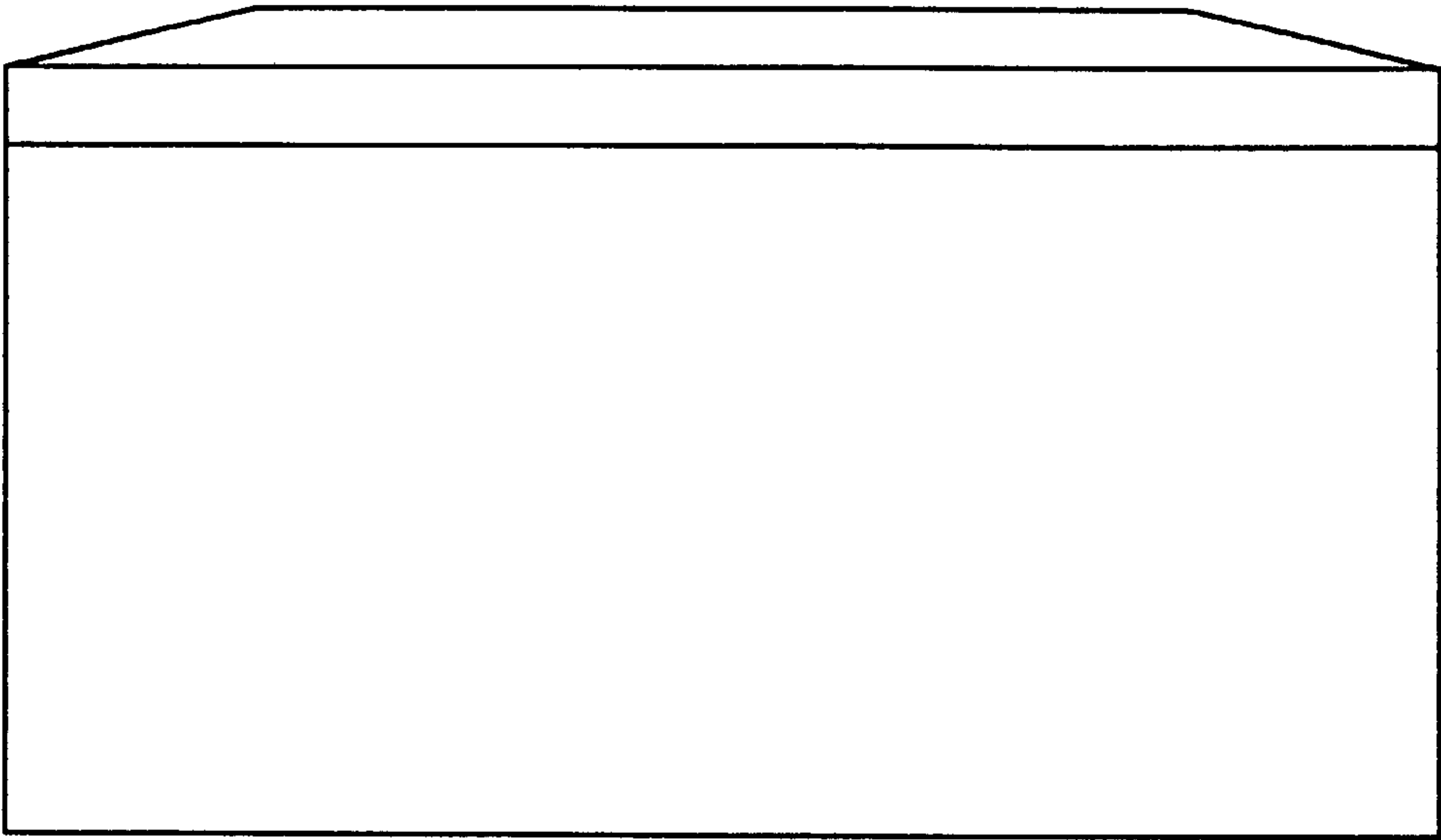


FIG. 2

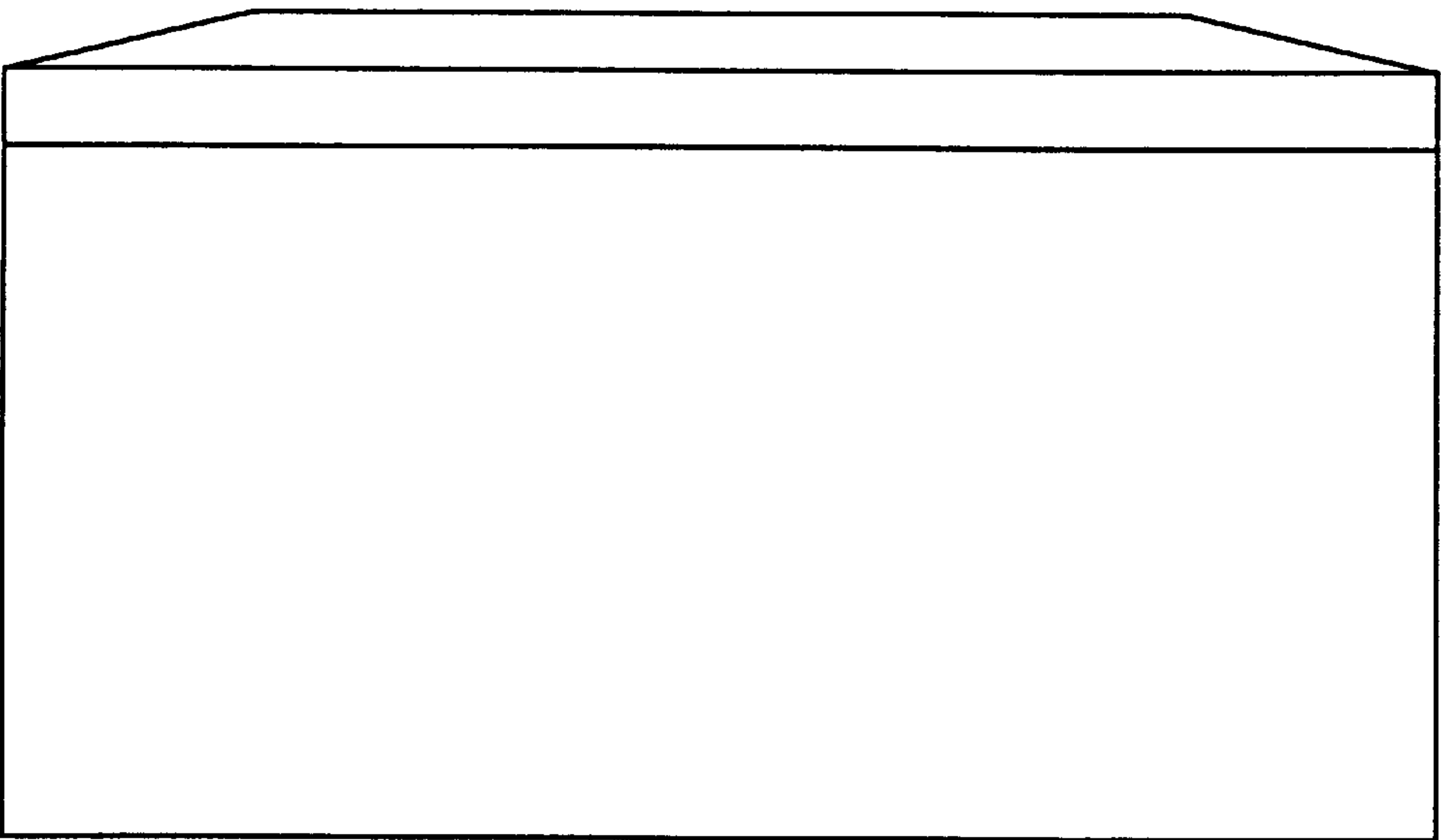


FIG. 3

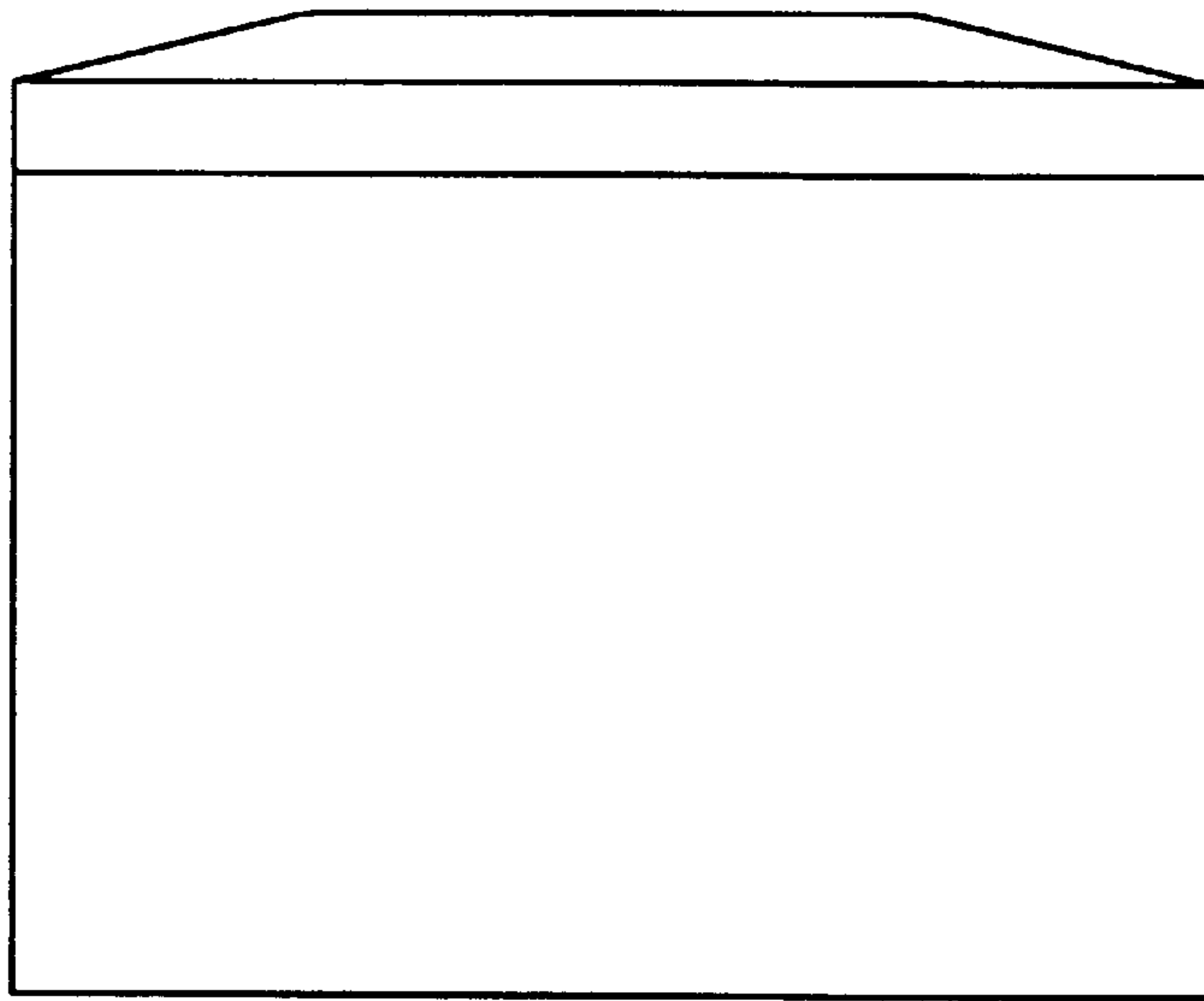


FIG. 4

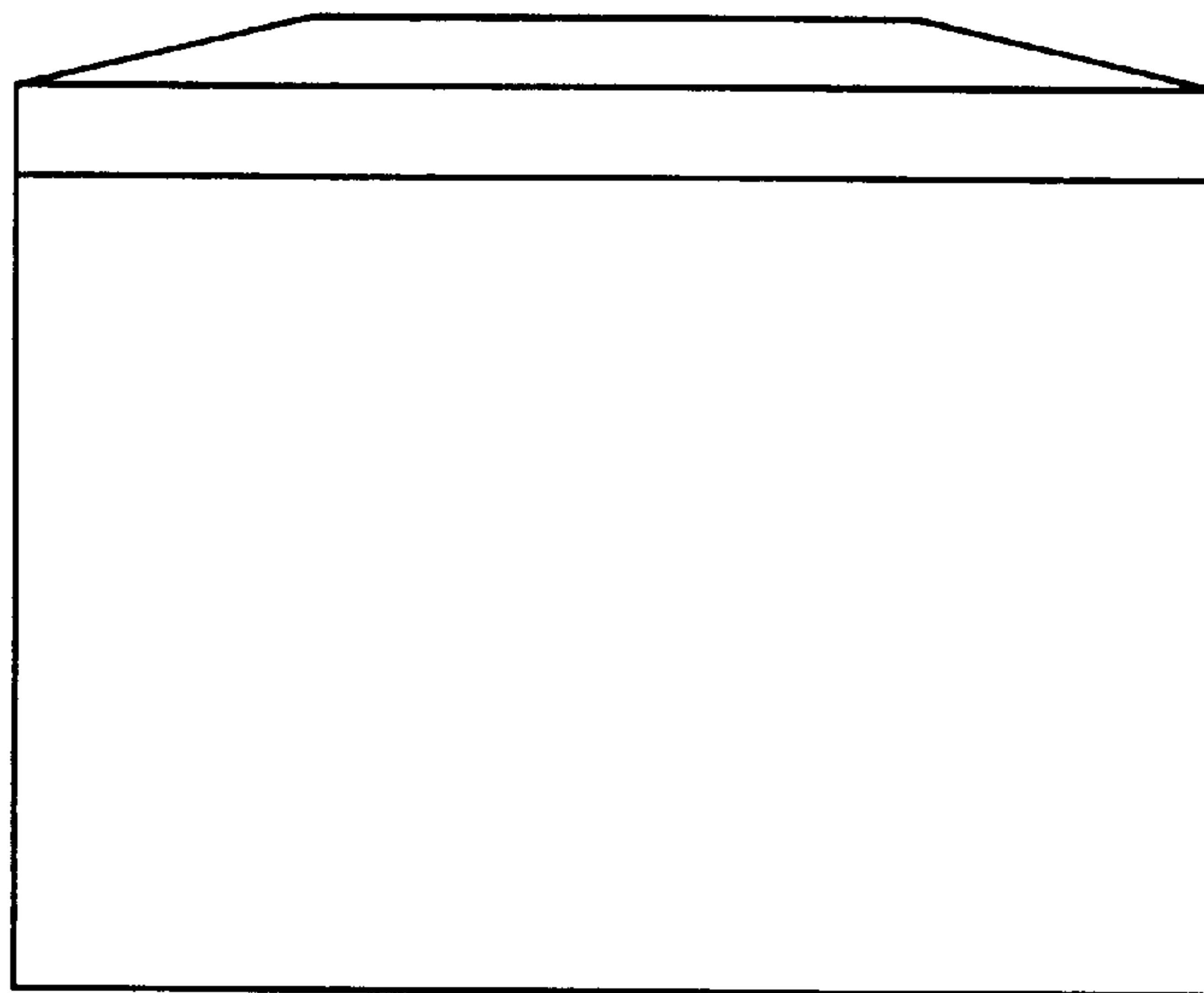


FIG. 5

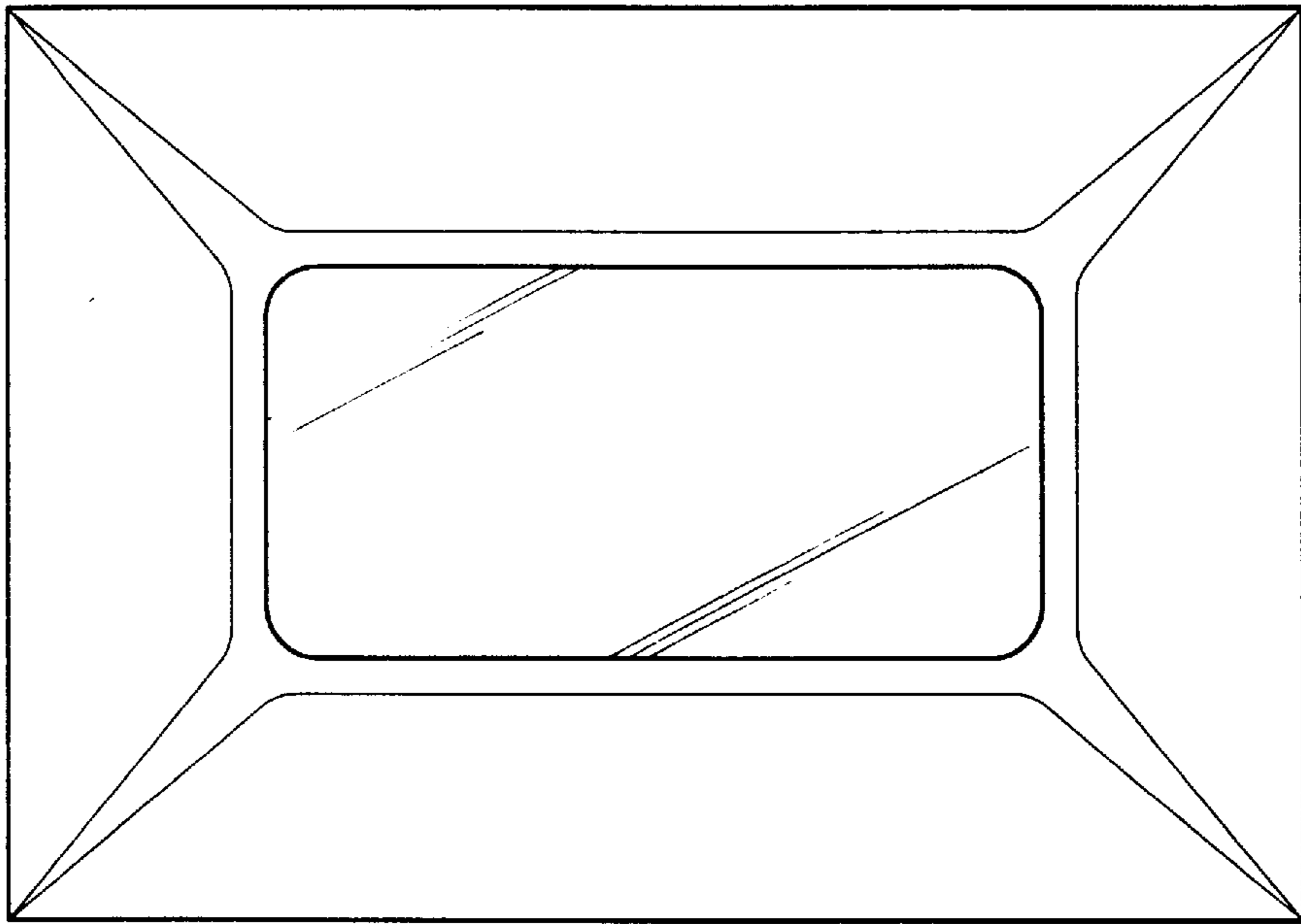


FIG. 6

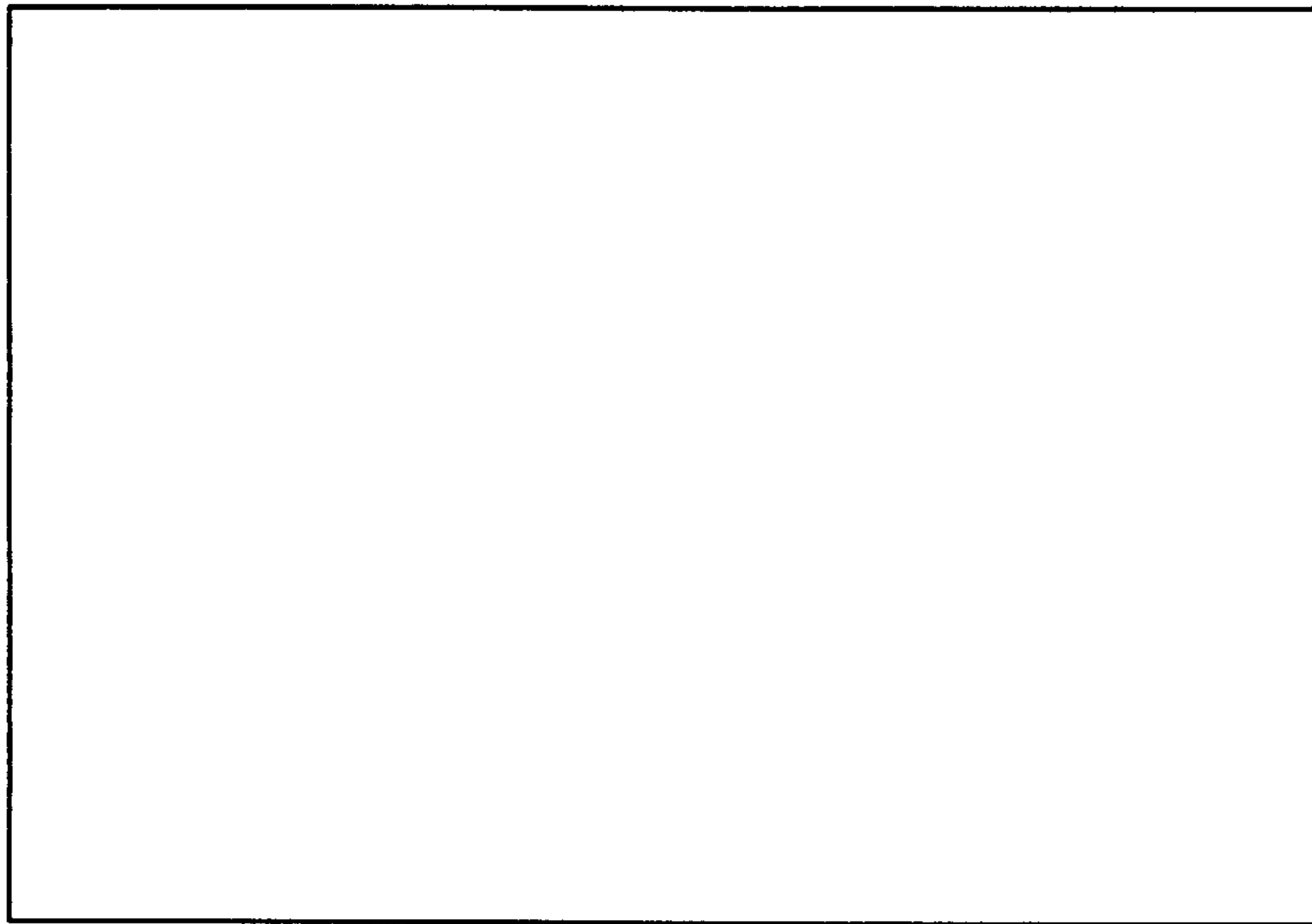


FIG. 7

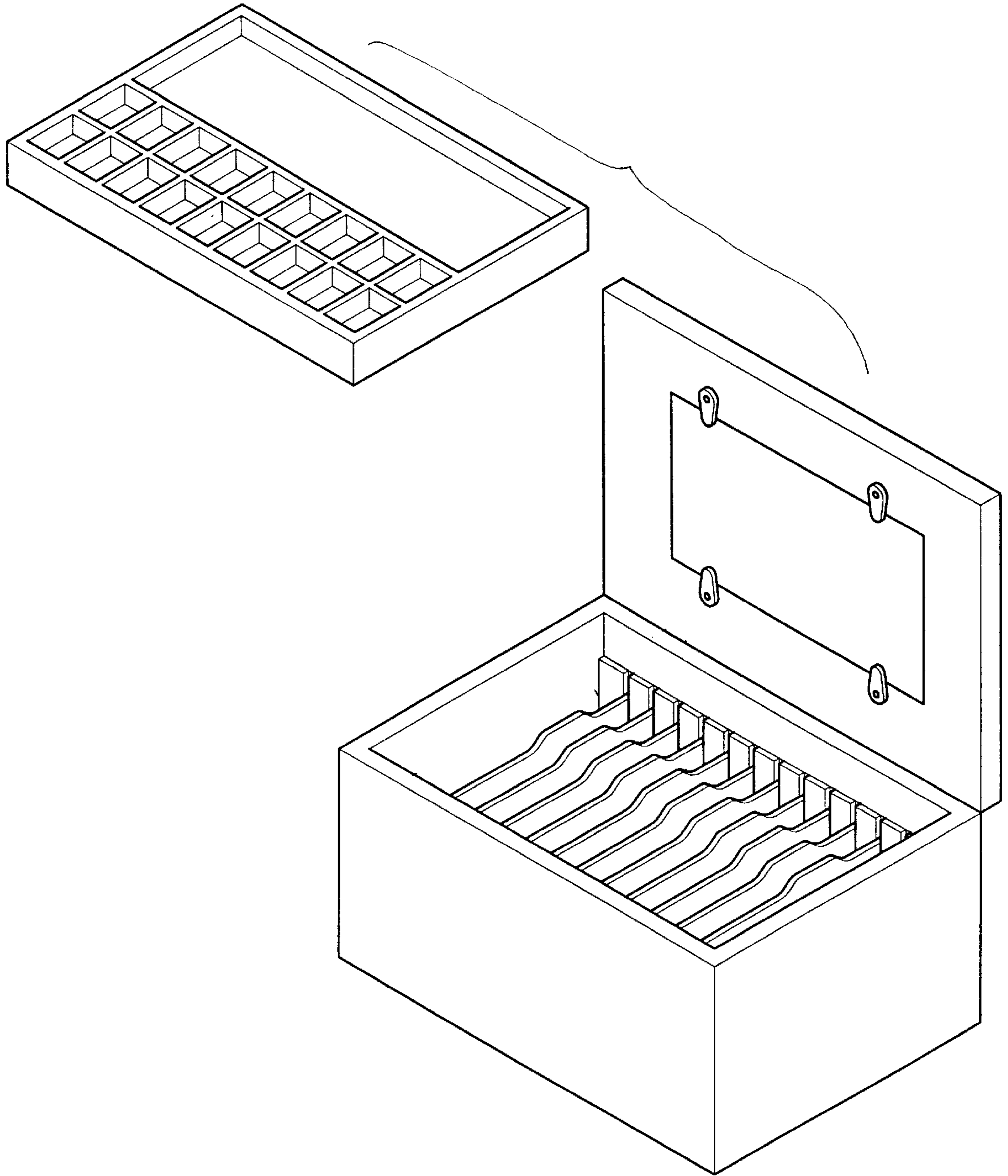


FIG. 8