



US00D423247S

# United States Patent [19]

Freeman et al.

[11] Patent Number: **Des. 423,247**

[45] Date of Patent: **\*\* Apr. 25, 2000**

[54] ALTAR

[76] Inventors: **Roy W Freeman; Arturo Ramirez,**  
both of 509 Bond St., Copperas Cove,  
Tex. 76522

[\*\*] Term: **14 Years**

[21] Appl. No.: **29/096,145**

[22] Filed: **Nov. 5, 1998**

[51] LOC (6) Cl. .... **06-04**

[52] U.S. Cl. .... **D6/419**

[58] Field of Search ..... D6/419, 420, 429-431,  
D6/474; 312/204, 33

[56] **References Cited**

**U.S. PATENT DOCUMENTS**

D. 30,010	1/1899	Roberts	.....	D6/419
D. 30,011	1/1899	Roberts	.....	D6/419
D. 175,123	7/1955	Maxwell	.....	D6/419
D. 283,323	4/1986	Cervero	.....	D6/429

D. 289,240	4/1987	Sylvester et al.	.....	D6/429
D. 305,840	2/1990	Mephram	.....	D6/474
D. 326,197	5/1992	Helligenthal et al.	.....	D6/474
D. 403,882	1/1999	Burnham, III et al.	.....	D6/420
5,882,095	3/1999	Green	.....	312/33

*Primary Examiner*—Carmen H. Vales-Lado

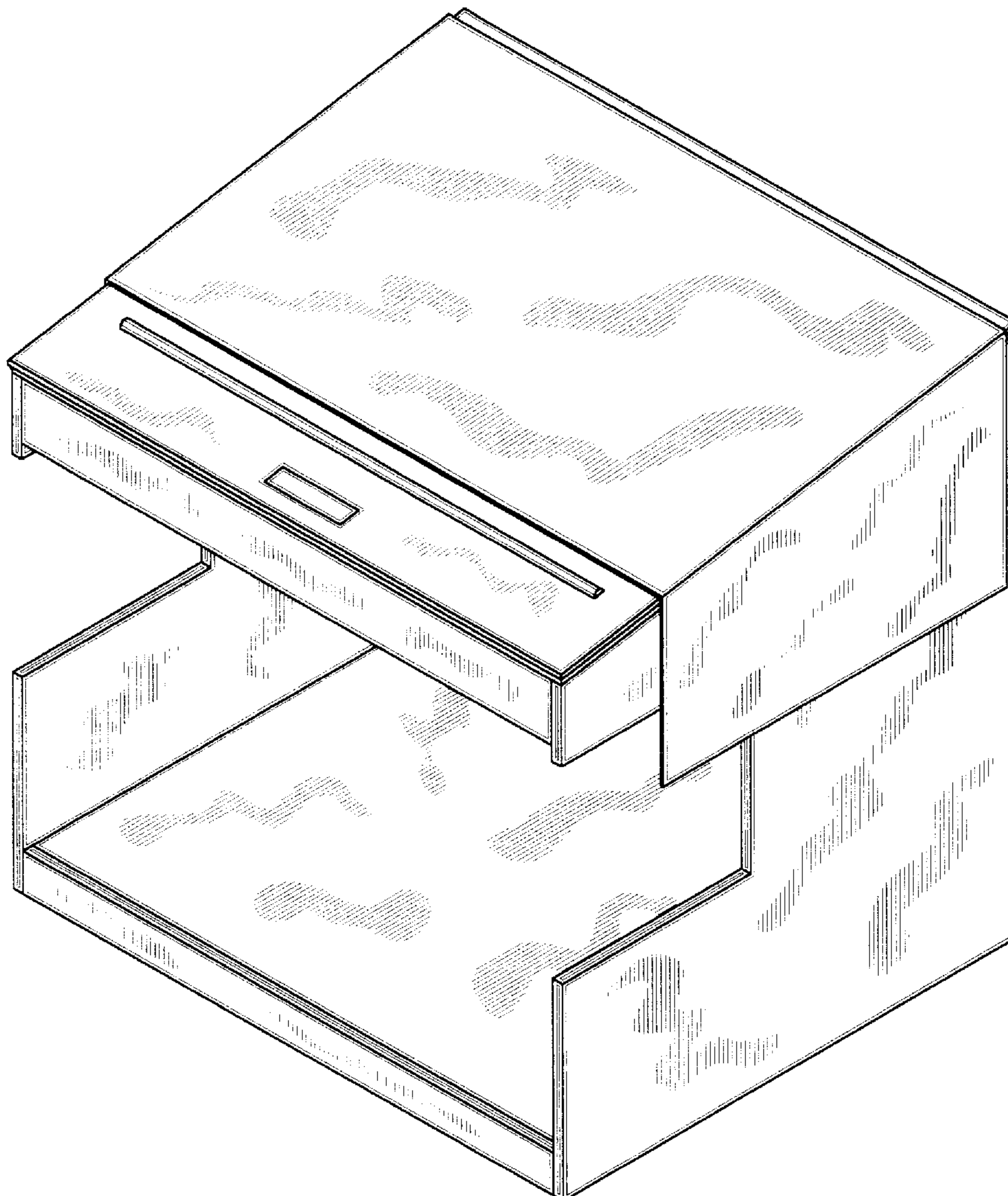
[57] **CLAIM**

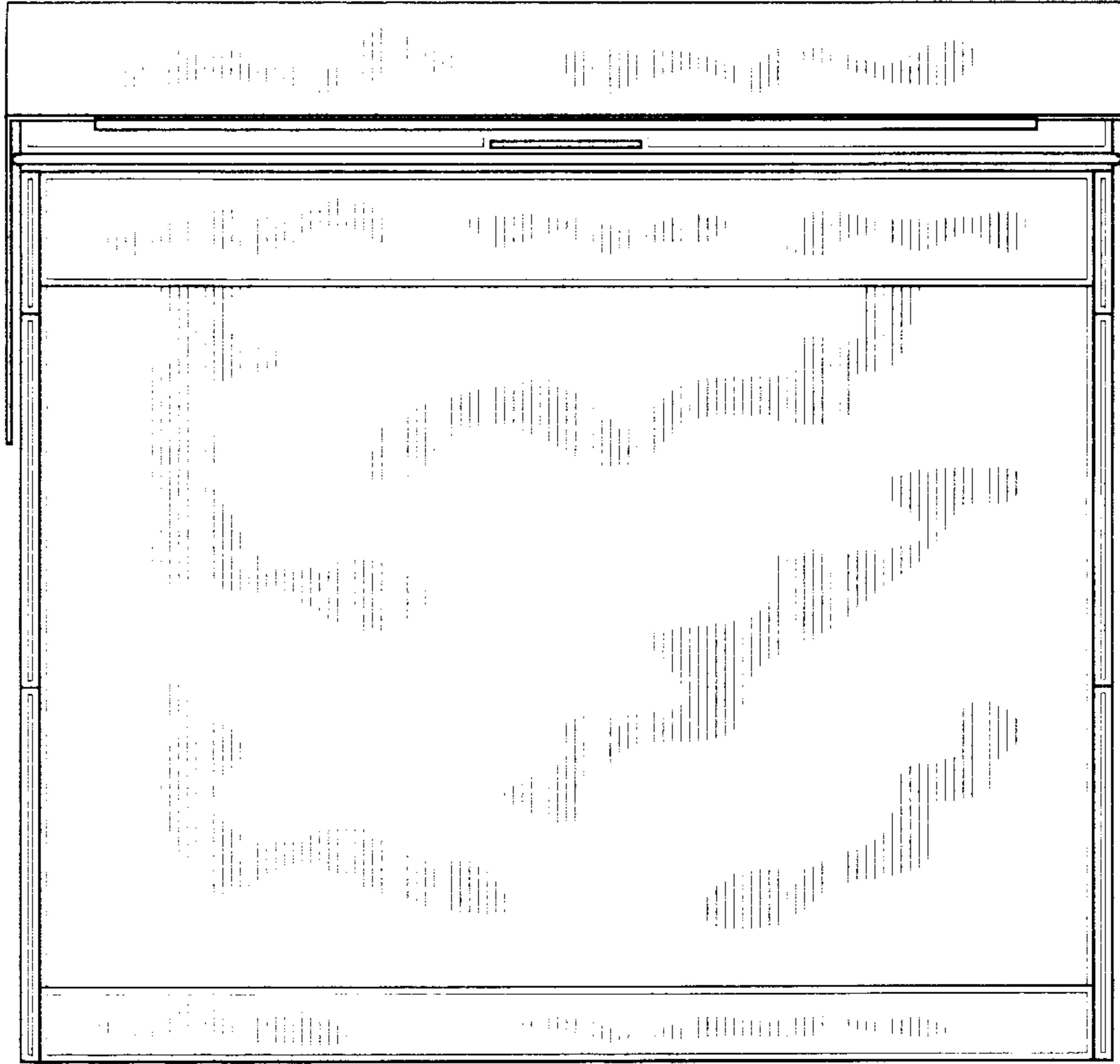
The ornamental design for an altar, as shown.

**DESCRIPTION**

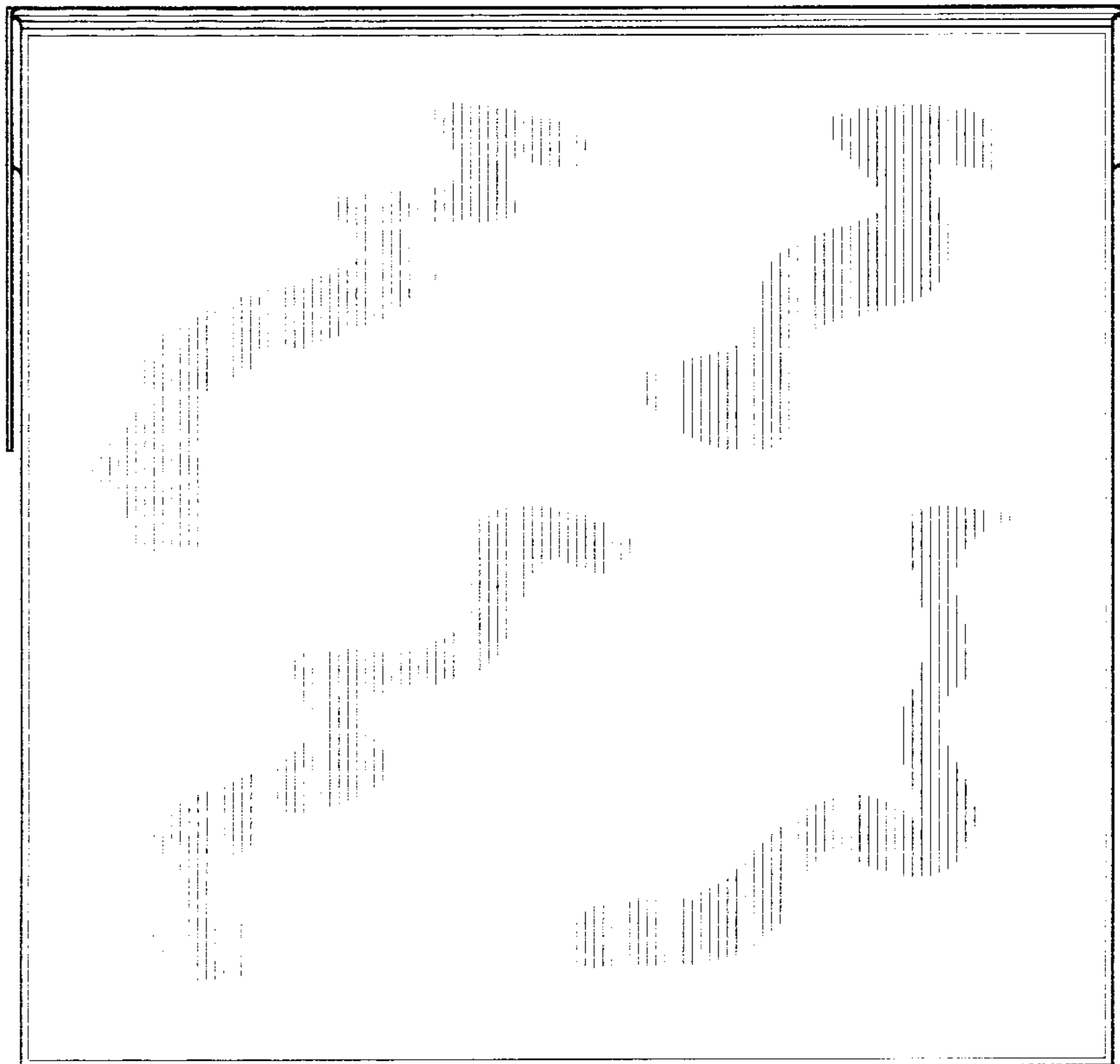
FIG. 1 is a front elevational view of an altar showing our new design;  
FIG. 2 is a rear elevational view thereof;  
FIG. 3 is a left side elevational view thereof;  
FIG. 4 is a right side elevational view thereof;  
FIG. 5 is a top plan view thereof;  
FIG. 6 is a bottom plan view thereof; and,  
FIG. 7 is a top, front, right side perspective view thereof.

**1 Claim, 4 Drawing Sheets**

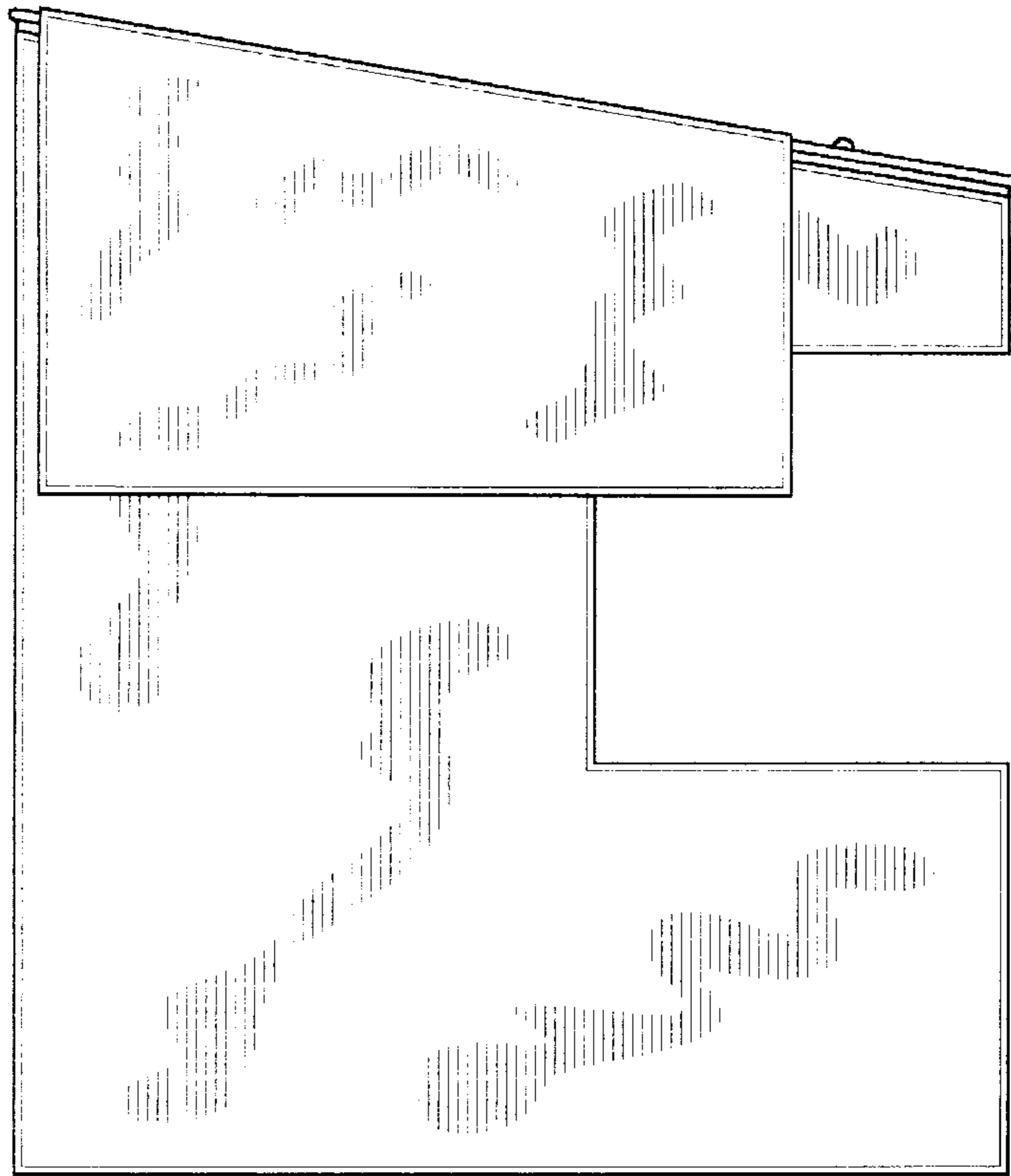




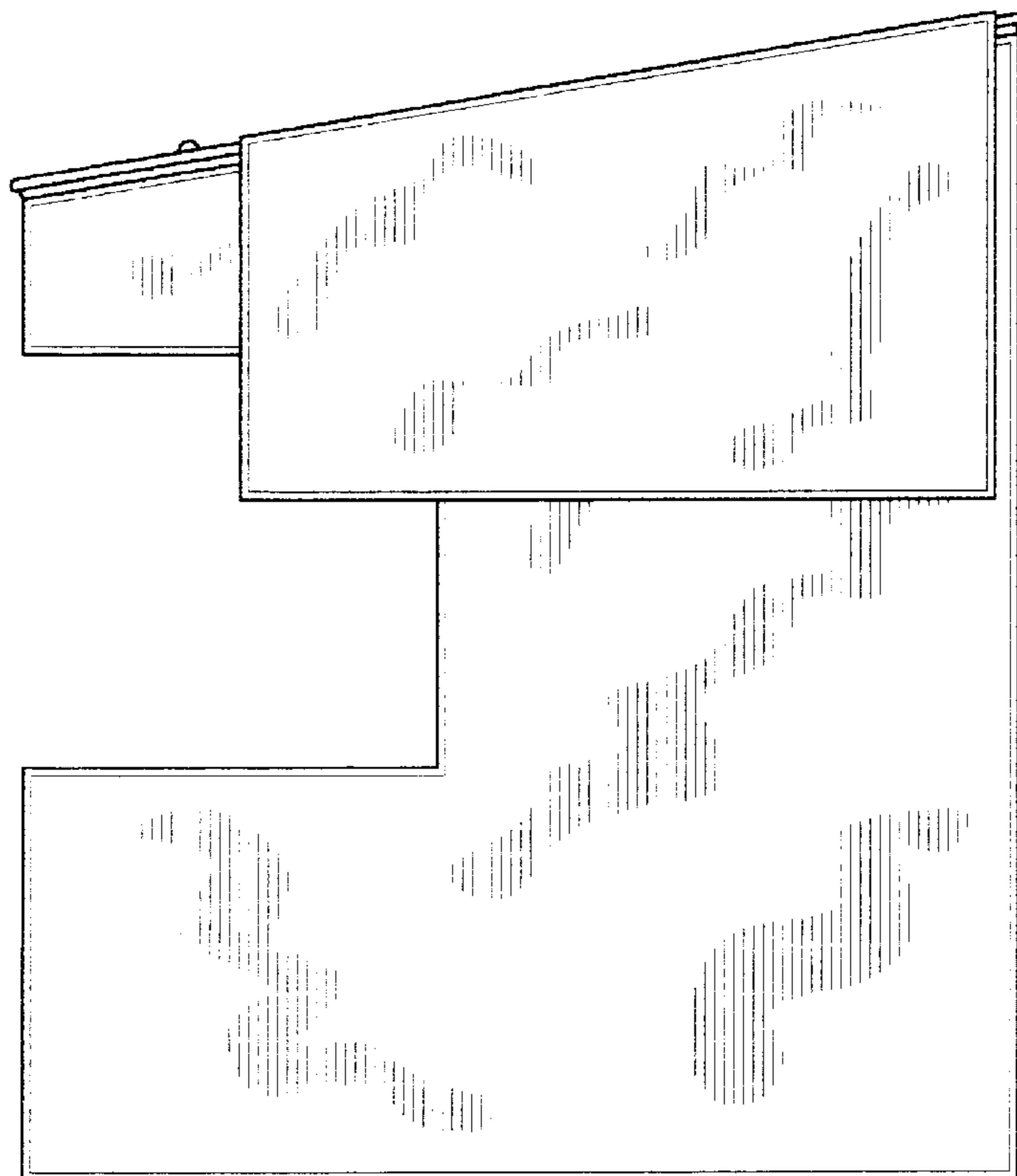
*Fig. 1*



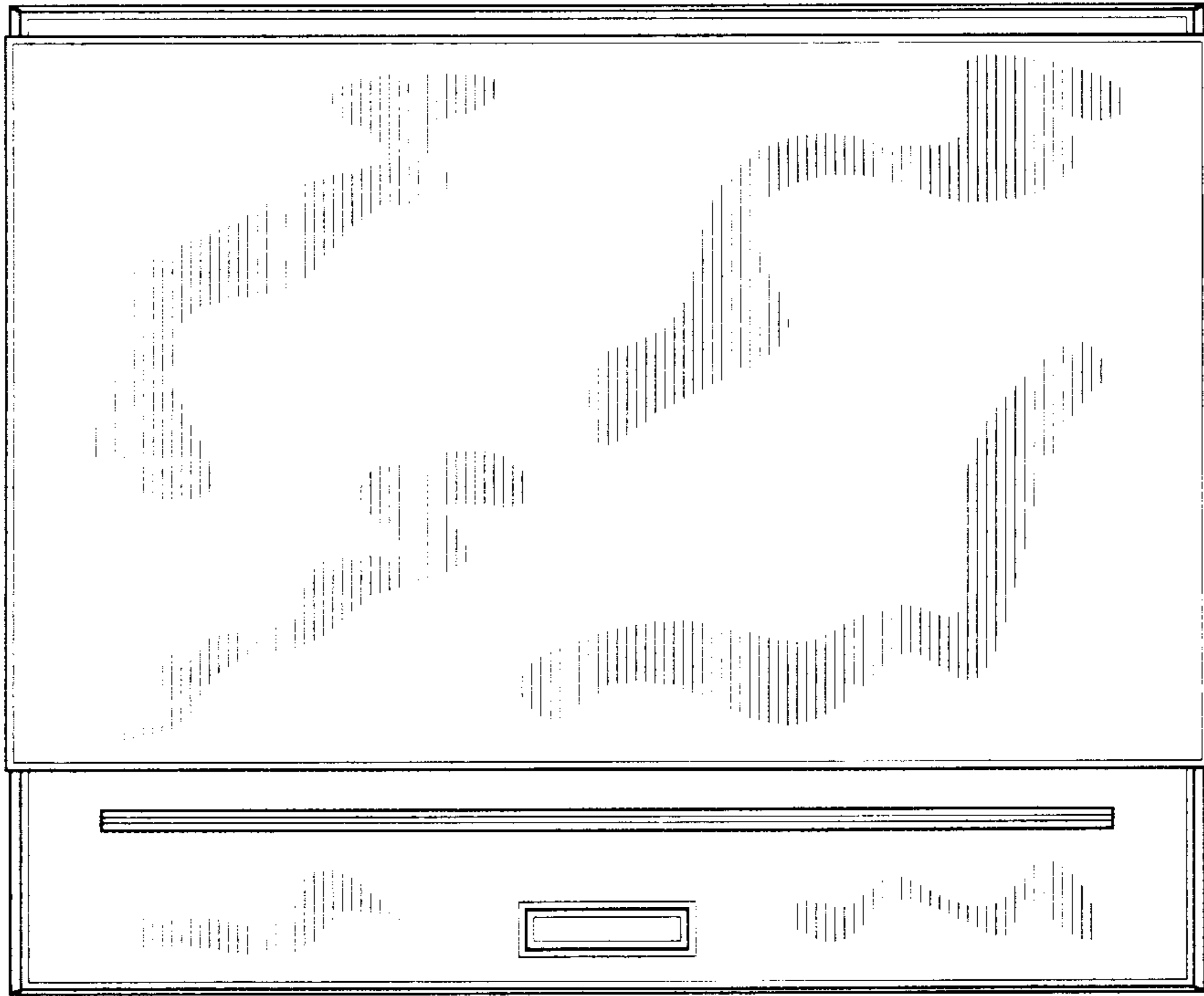
*Fig. 2*



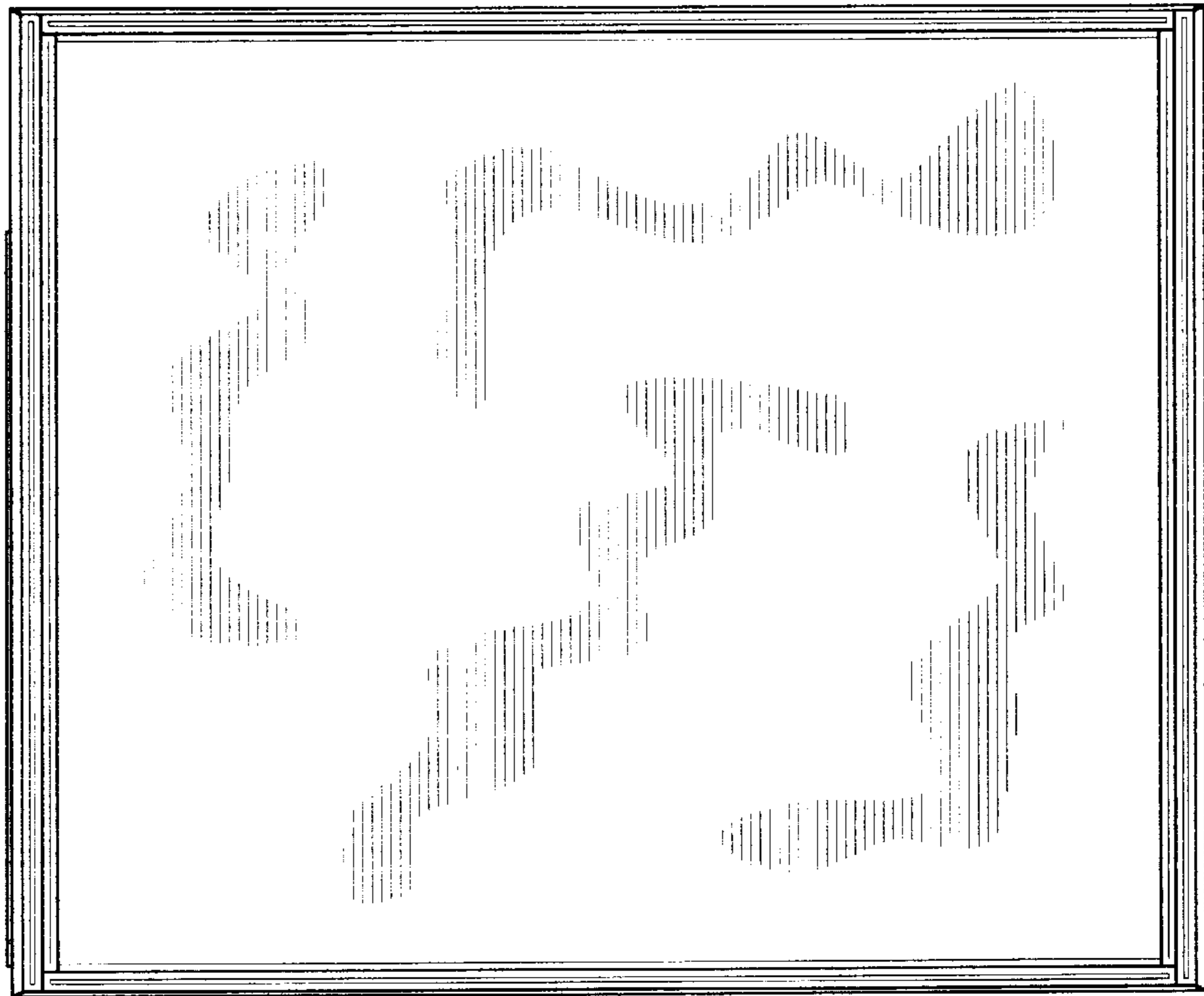
*Fig. 3*



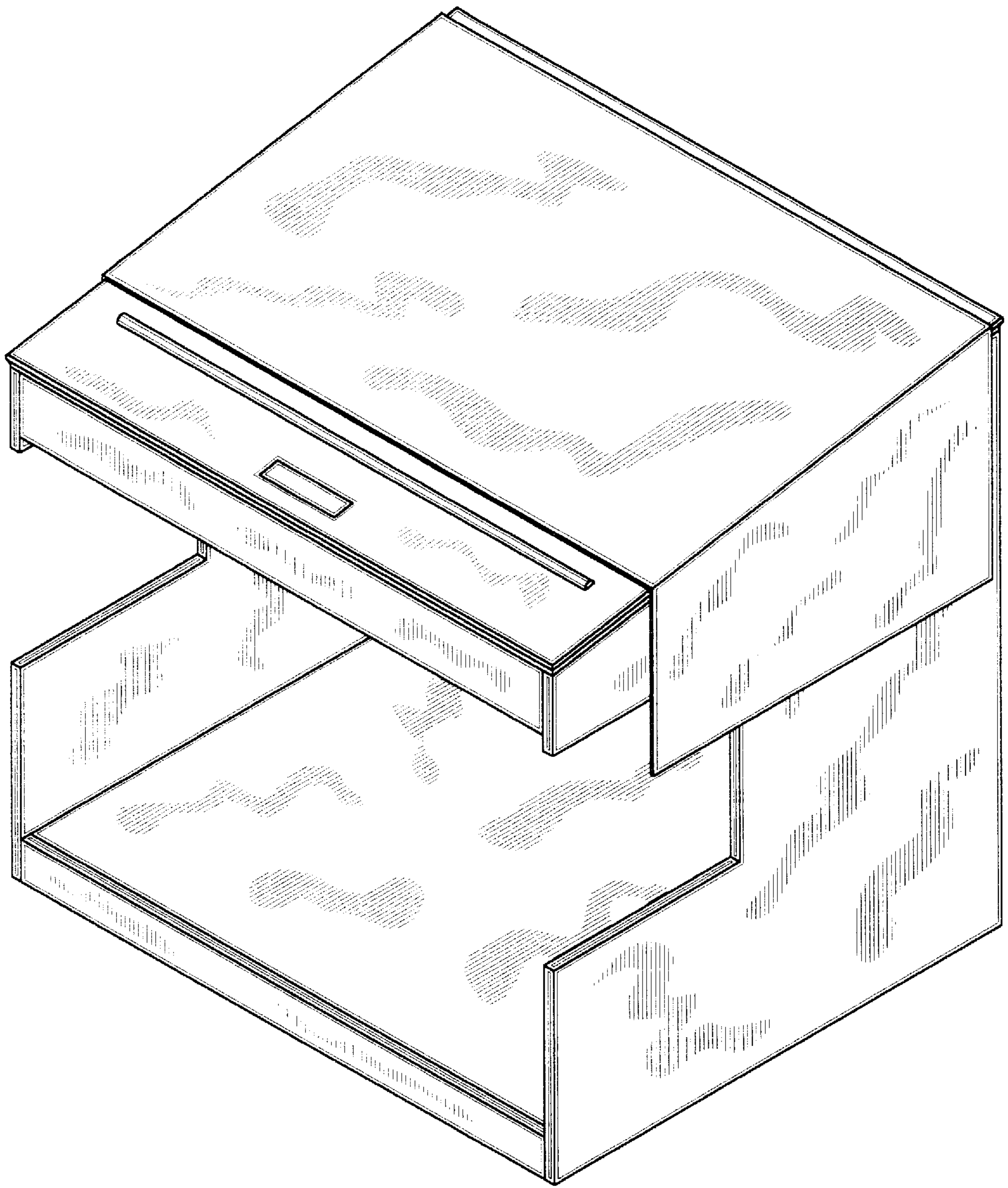
*Fig. 4*



*Fig. 5*



*Fig. 6*



*Fig. 7*