



US00D423240S

United States Patent [19]
White

[11] **Patent Number: Des. 423,240**

[45] **Date of Patent: ** Apr. 25, 2000**

[54] **LAWN/BEACH LOUNGE CHAIR**

[76] Inventor: **Kimberly Passmore White**, 3662
Ponce de Leon Ave., Jacksonville, Fla.
32217

[**] Term: **14 Years**

[21] Appl. No.: **29/090,397**

[22] Filed: **Jul. 8, 1998**

[51] **LOC (6) Cl.** **06-01**

[52] **U.S. Cl.** **D6/361**

[58] **Field of Search** D6/334, 335, 336,
D6/360, 361, 367, 368, 500, 501, 502;
5/111, 114, 656; 297/54, 452.56

[56] **References Cited**

U.S. PATENT DOCUMENTS

| | | | |
|------------|---------|-------------------|----------|
| D. 261,705 | 11/1981 | Land et al. | D6/361 |
| D. 335,397 | 5/1993 | Fox | D6/361 |
| D. 381,524 | 7/1997 | Gabriel | D6/361 |
| D. 381,824 | 8/1997 | Day et al. | D6/361 |
| D. 396,758 | 8/1998 | Anderson | D6/361 |
| D. 400,722 | 11/1998 | Luther | D6/361 |
| 3,134,987 | 6/1964 | Bertram | D6/361 X |
| 3,897,102 | 7/1975 | Lemarie | D6/361 X |
| 4,606,806 | 8/1986 | Rowland . | |
| 4,891,854 | 1/1990 | Finkelstein . | |
| 5,222,779 | 6/1993 | Johnson | 5/656 X |
| 5,246,265 | 9/1993 | Nagan et al. | D6/361 X |

OTHER PUBLICATIONS

Brochure by Face Down, Inc. showing "The Beach Chair",
published May, 1998.

Primary Examiner—Gary D. Watson

Attorney, Agent, or Firm—J. Michael Martinez de Andino;
McGuire, Woods, Battle & Boothe, LLP

[57] **CLAIM**

The ornamental design for a lawn/beach lounge chair, as
shown and described.

DESCRIPTION

FIG. 1 is a top plan view of the upper body back frame

portion of the lawn/beach lounge chair shown in FIG. 6
wherein the upper body back frame portion is shown without
a fabric cover for ease of illustration;

FIG. 2 is a top plan view of the upper body back frame
portion of the lawn/beach lounge chair shown in FIG. 6 with
fabric cover and padded head/face rest;

FIG. 3 is a top plan view of the middle section portion of the
lawn/beach lounge chair shown in FIG. 6;

FIG. 4 is a top plan view of the bottom section portion of the
lawn/beach lounge chair shown in FIG. 6;

FIG. 5 is a side elevational view of the center section portion
of the lawn/beach lounge chair showing the frame legs
which flare out for locking in position;

FIG. 6 is a perspective view of the lawn/beach lounge chair;
FIG. 7 is a top plan view of the lawn/beach lounge chair
shown in FIG. 6; and,

FIG. 8 is a side view of the lawn/beach lounge chair as it
would be used by a person to read in a relaxed lying position.

FIGS. 1–4 illustrate top plan views of the upper body back
frame, middle section and bottom section of the lawn/beach
lounge chair of the present invention. The undisclosed
opposing surfaces associated with these figures are mirror
images to the corresponding surfaces illustrated in FIGS.
1–4, respectively.

FIGS. 5 and 8 illustrate side views of the upper body back
frame, middle section and bottom section of the lawn/beach
lounge chair of the present invention. The undisclosed
opposing surfaces associated with these figures are mirror
images to the corresponding surfaces illustrated in FIGS. 5
and 8, respectively.

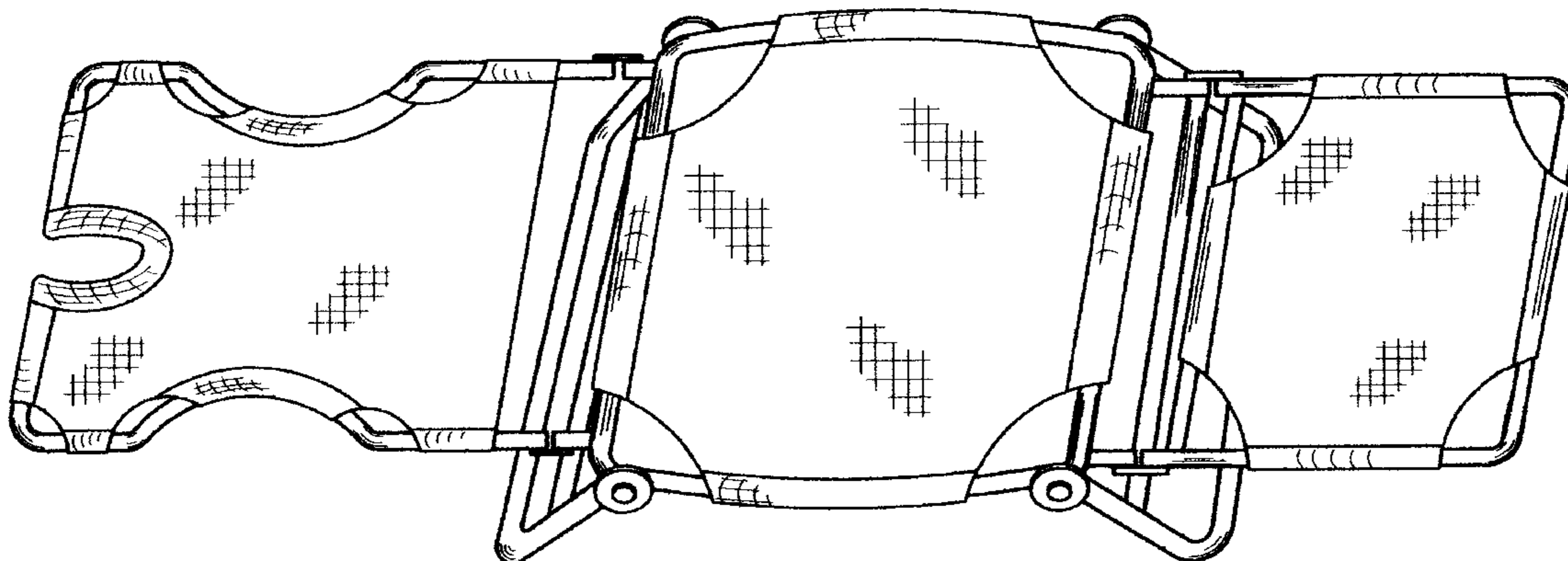
The fragmentary cross-hatching is understood to represent
fabric material and would be continuous throughout the
defined areas.

The broken lines shown in FIG. (8) are illustrative purposes
only and form no part of the claimed design.

The portions of the lounge chair which have not been shown
in FIGS. 1 through 5 have not been shown for ease of
illustration.

The surfaces or portions of the article not shown in the
drawing or described in the specification form no part of the
claimed design.

1 Claim, 5 Drawing Sheets



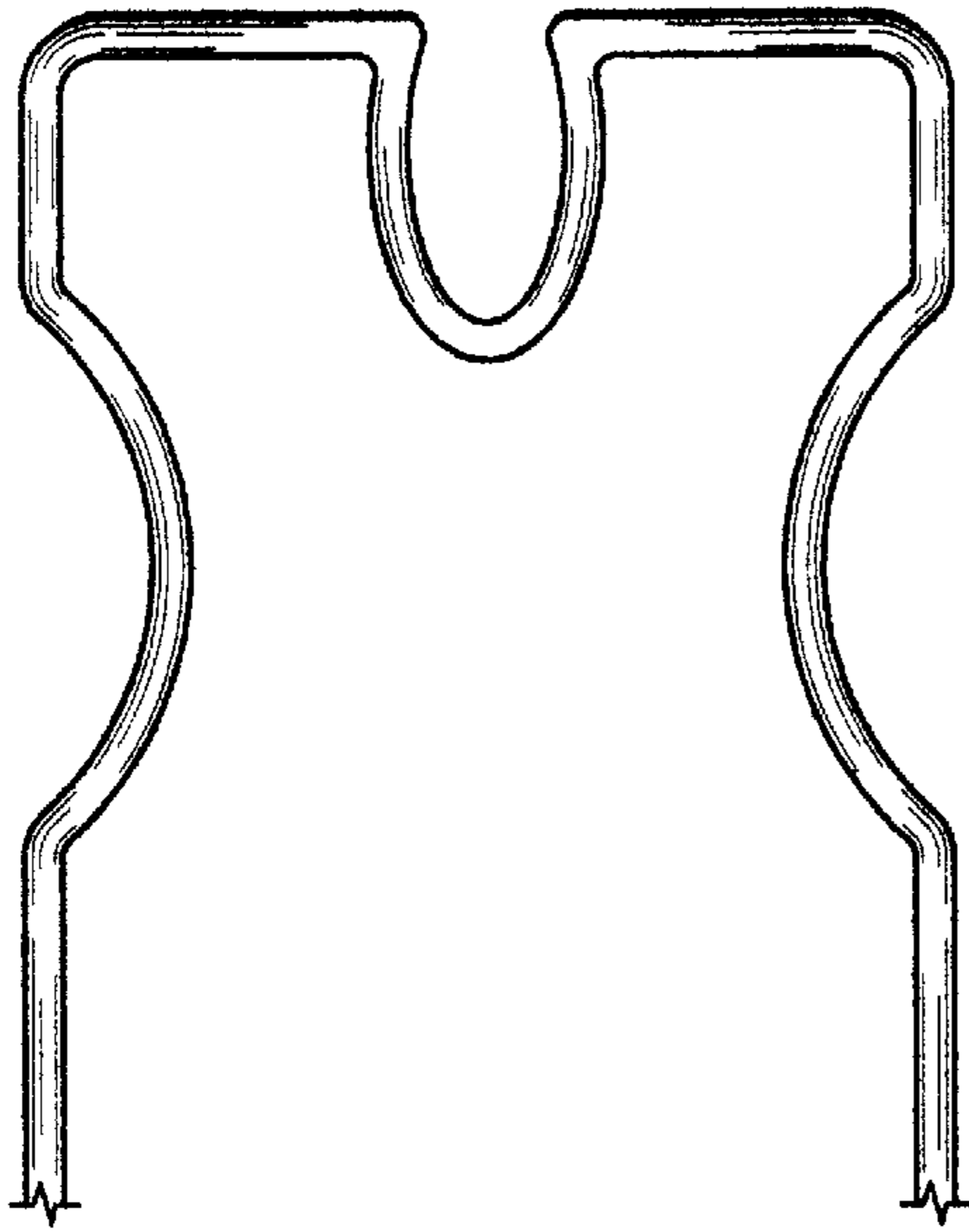


FIG. 1

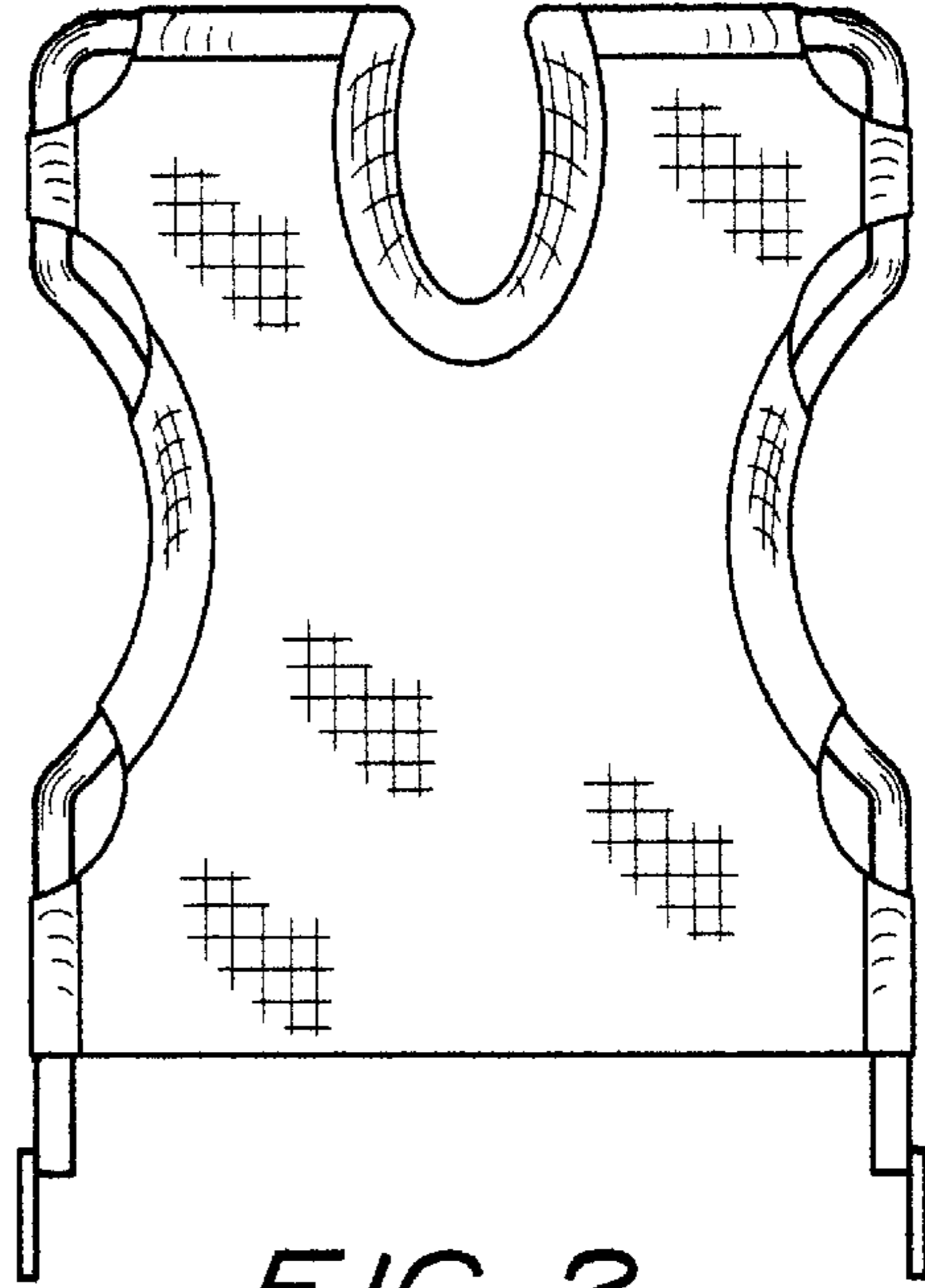


FIG. 2

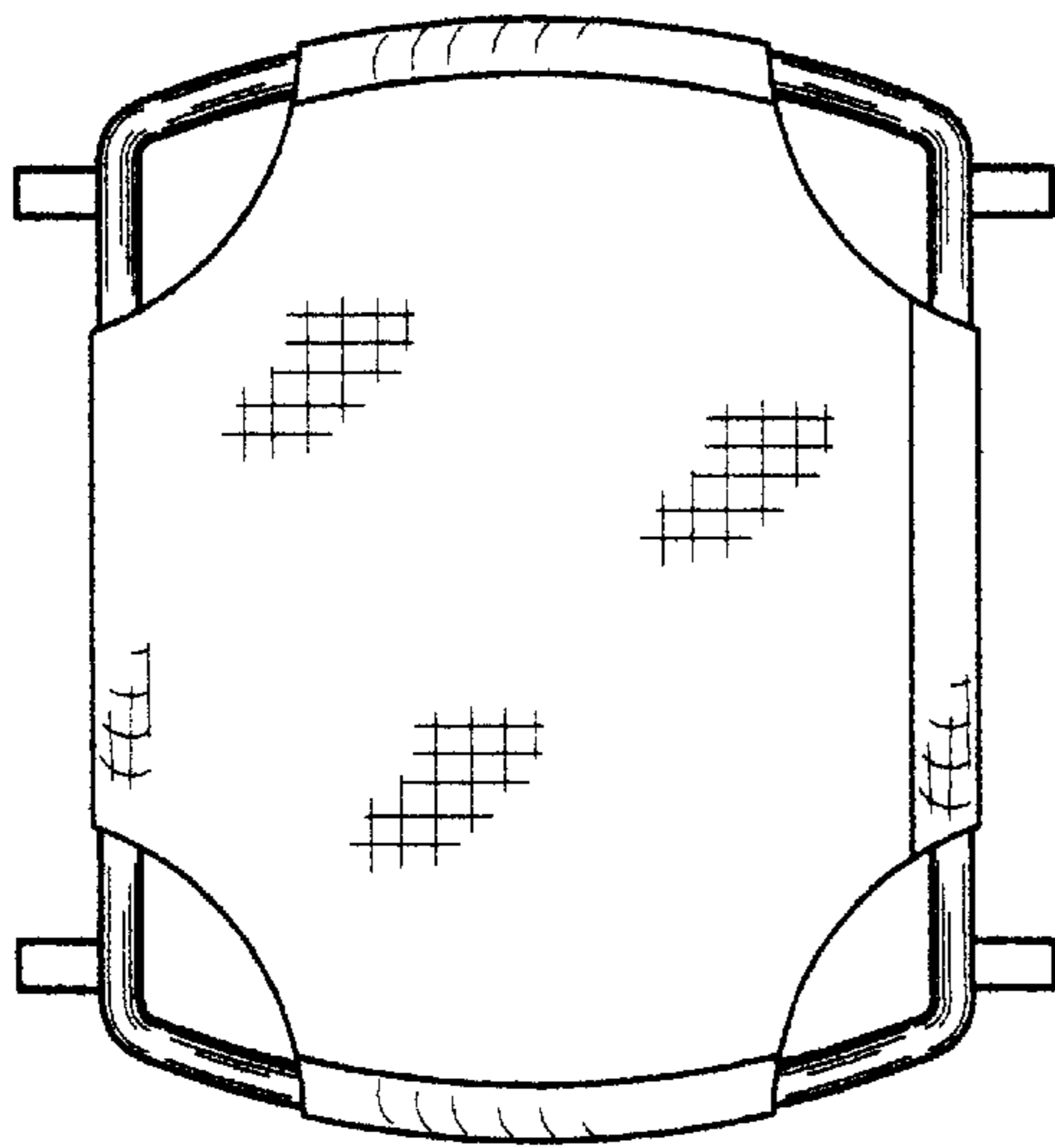


FIG. 3

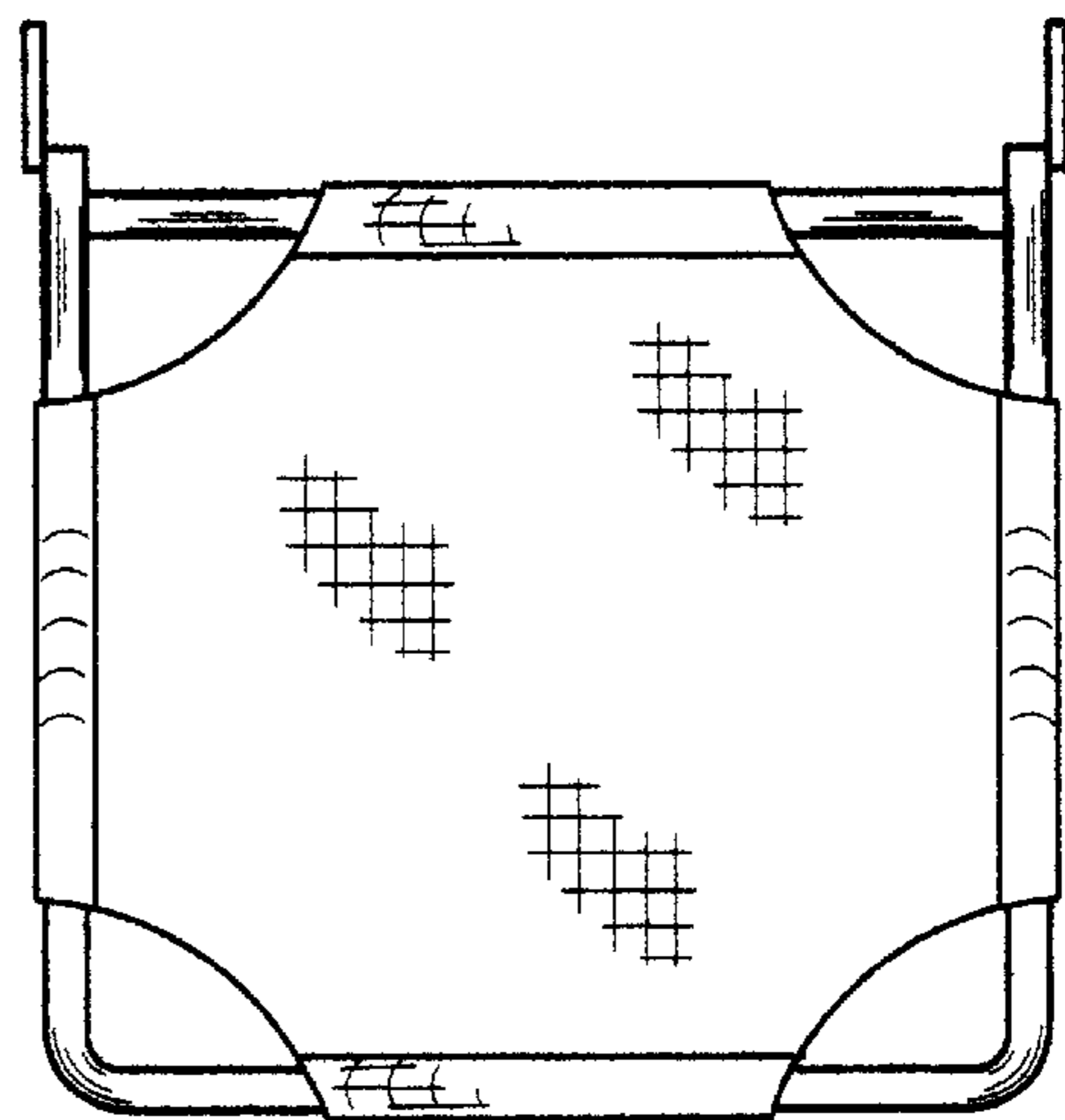


FIG. 4

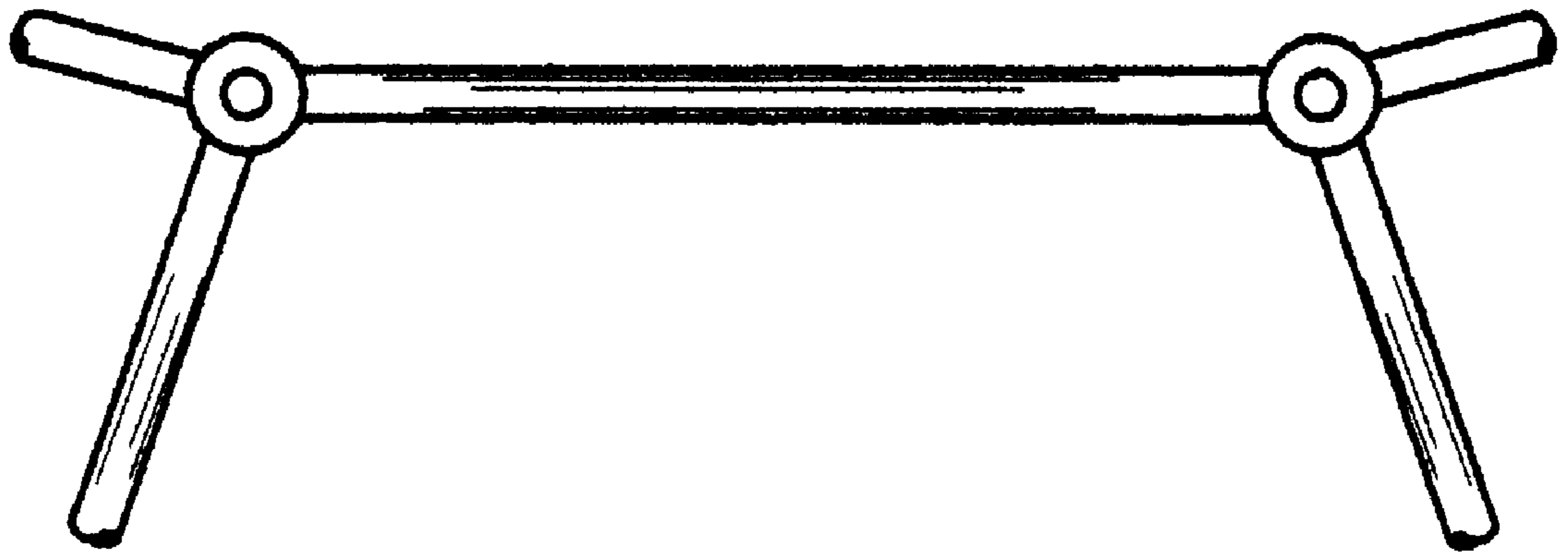


FIG. 5

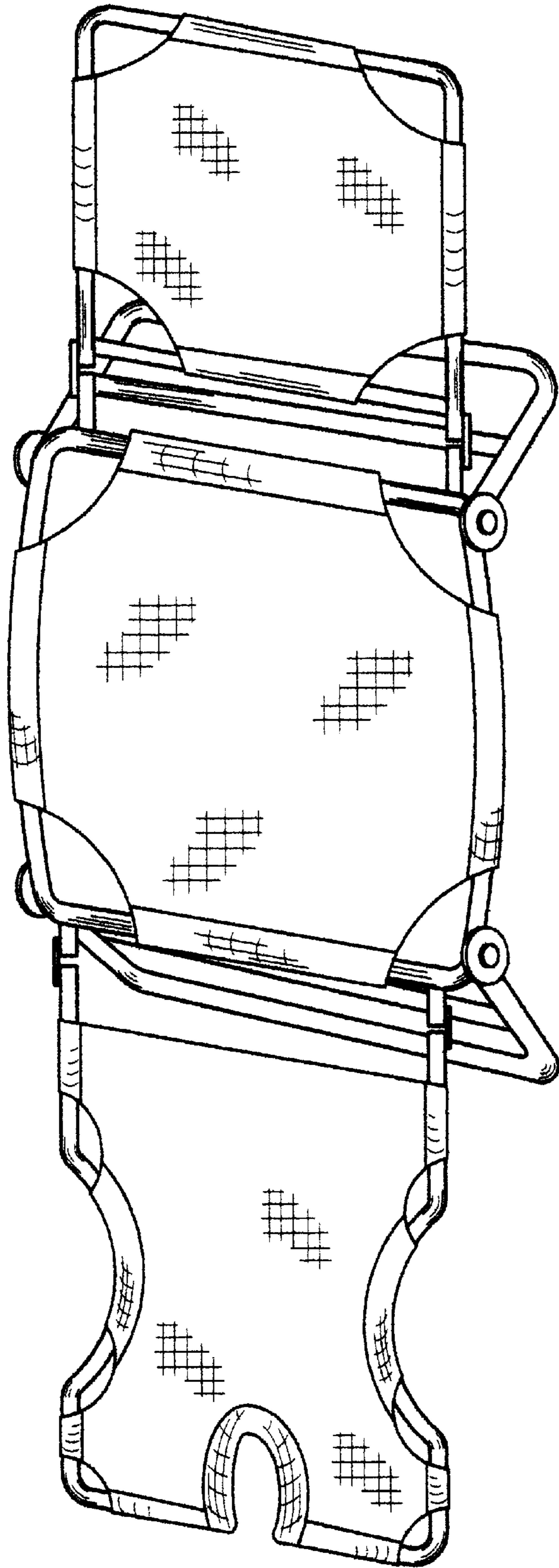


FIG. 6

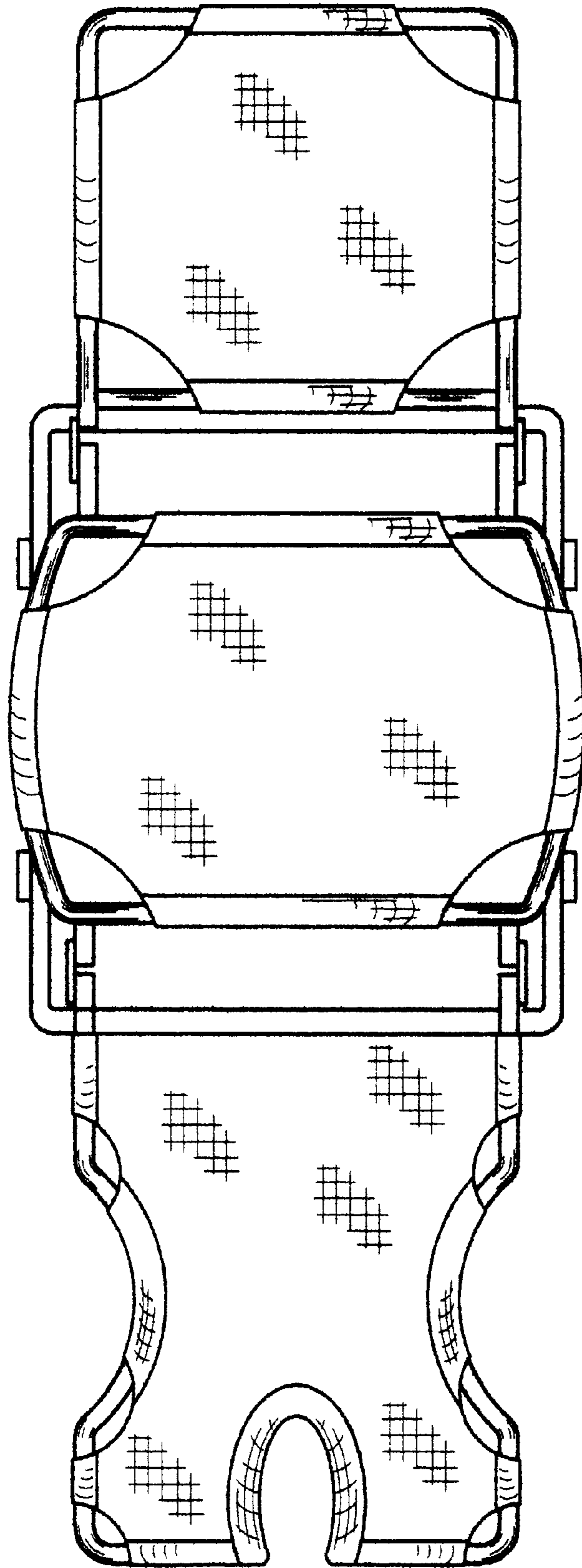


FIG. 7

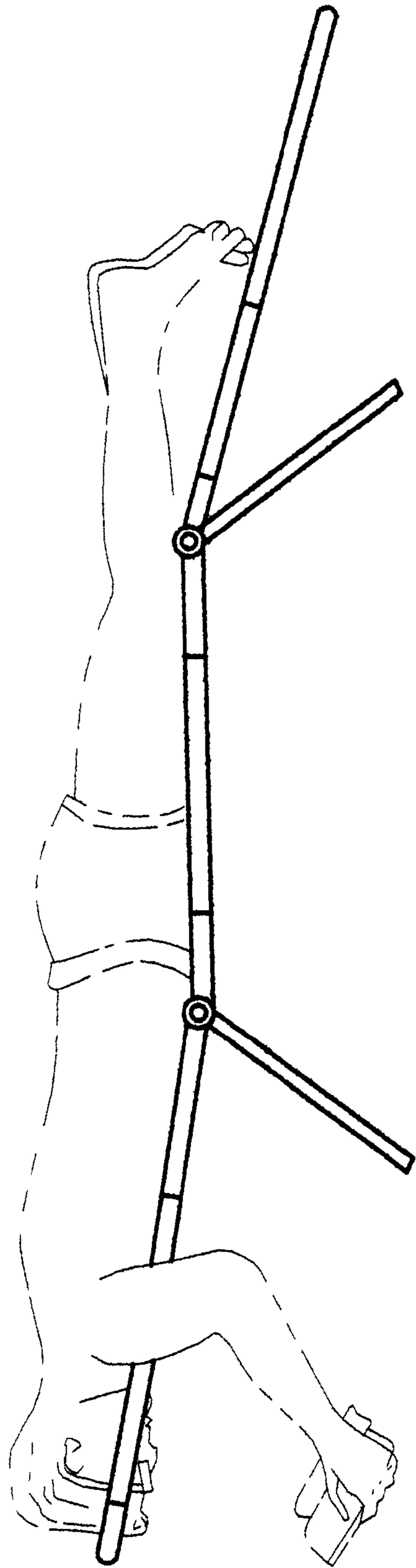


FIG. 8