



US00D423239S

# United States Patent [19] Hornyak

[11] **Patent Number: Des. 423,239**

[45] **Date of Patent: \*\* Apr. 25, 2000**

[54] **SITE FURNITURE**

[75] Inventor: **Marcella Kaye Hornyak**, Cabot, Pa.

[73] Assignee: **Keystone Ridge Designs, Inc.**, Butler, Pa.

[\*\*] Term: **14 Years**

[21] Appl. No.: **29/105,223**

[22] Filed: **May 20, 1999**

### Related U.S. Application Data

[62] Division of application No. 29/088,305, May 20, 1998, Pat. No. Des. 413,449.

[51] **LOC (6) Cl.** ..... **06-01**

[52] **U.S. Cl.** ..... **D6/355; D6/370; D6/381**

[58] **Field of Search** ..... **D6/334, 335, 336, D6/349, 355, 370, 376, 381, 500, 501, 502; 297/232, 411.42, 452.63**

### [56] **References Cited**

#### U.S. PATENT DOCUMENTS

D. 213,496 3/1969 Wormser ..... D6/349  
D. 215,430 9/1969 Suzuki ..... D6/349

D. 247,529 3/1978 Lamb ..... D6/336  
D. 312,535 12/1990 Yaukee ..... D6/349  
D. 365,937 1/1996 Skalka ..... D6/370  
D. 369,914 5/1996 Kirn et al. .... D6/355  
D. 406,701 3/1999 Slear ..... D6/376

*Primary Examiner*—Gary D. Watson  
*Attorney, Agent, or Firm*—Webb Ziesenheim Logsdon Orkin & Hanson, P.C.

### [57] **CLAIM**

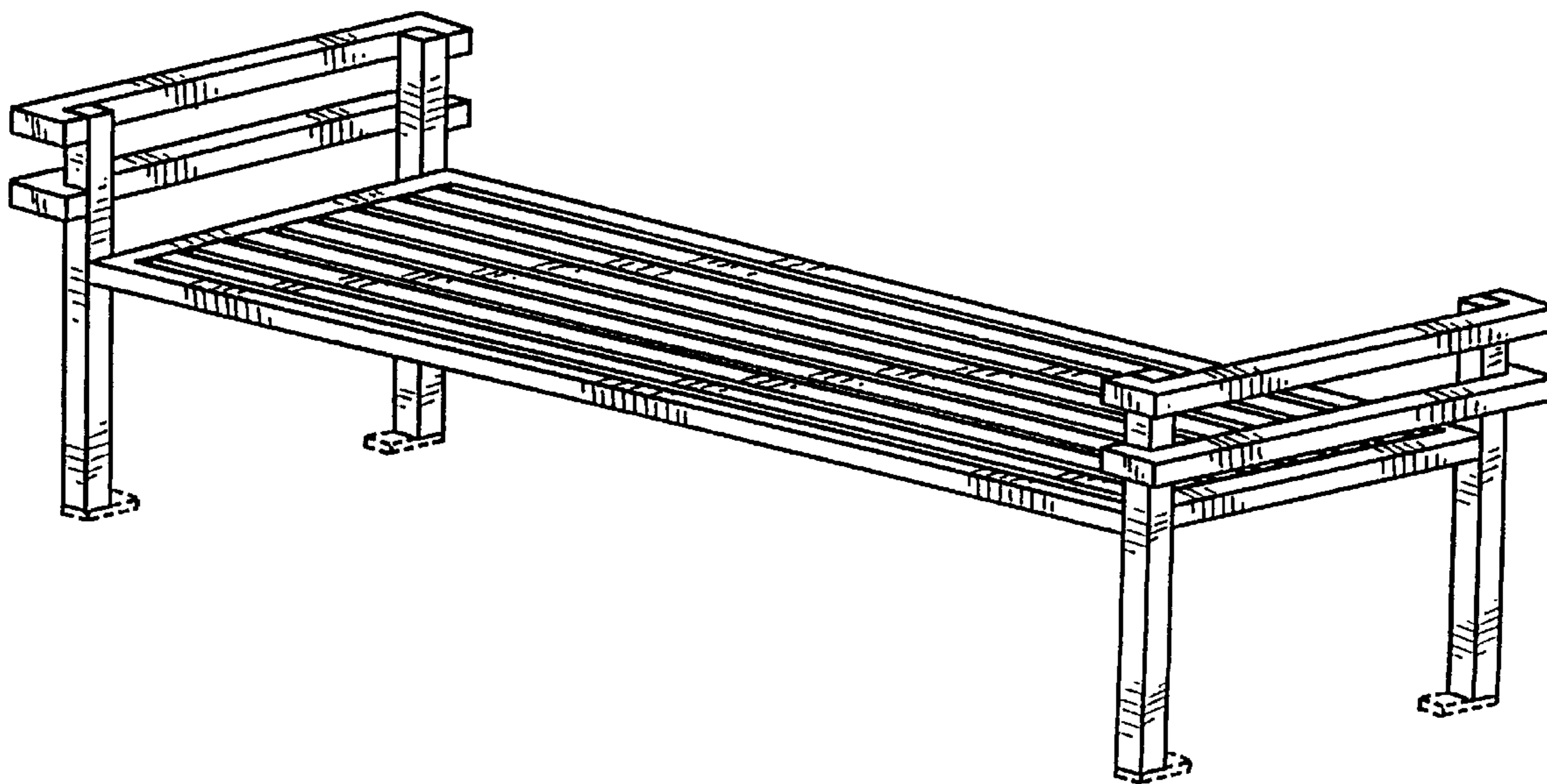
The ornamental design for site furniture, as shown and described.

### **DESCRIPTION**

FIG. 1 is a perspective view of site furniture in the form of a flat bench showing my new design; FIG. 2 is a front elevation view thereof; FIG. 3 is a rear elevation view thereof; FIG. 4 is a top plan view thereof; FIG. 5 is a bottom plan view thereof; FIG. 6 is a right side elevation view thereof; and, FIG. 7 is a left side elevation view thereof.

The broken lines in FIGS. 1, 2, 3, 5, 6 and 7 are for illustrative purposes only and form no part of the claimed design.

**1 Claim, 3 Drawing Sheets**



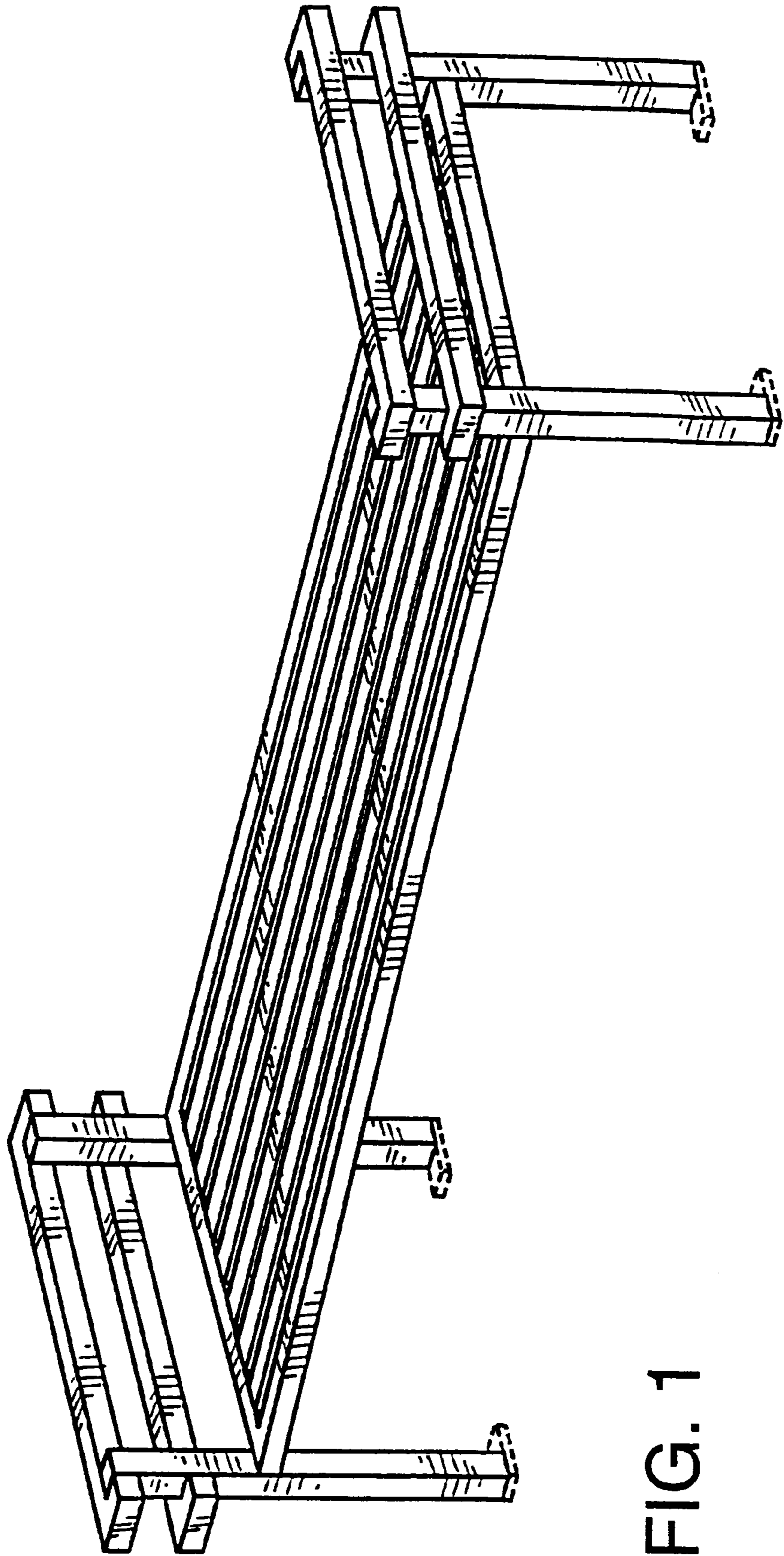


FIG. 1

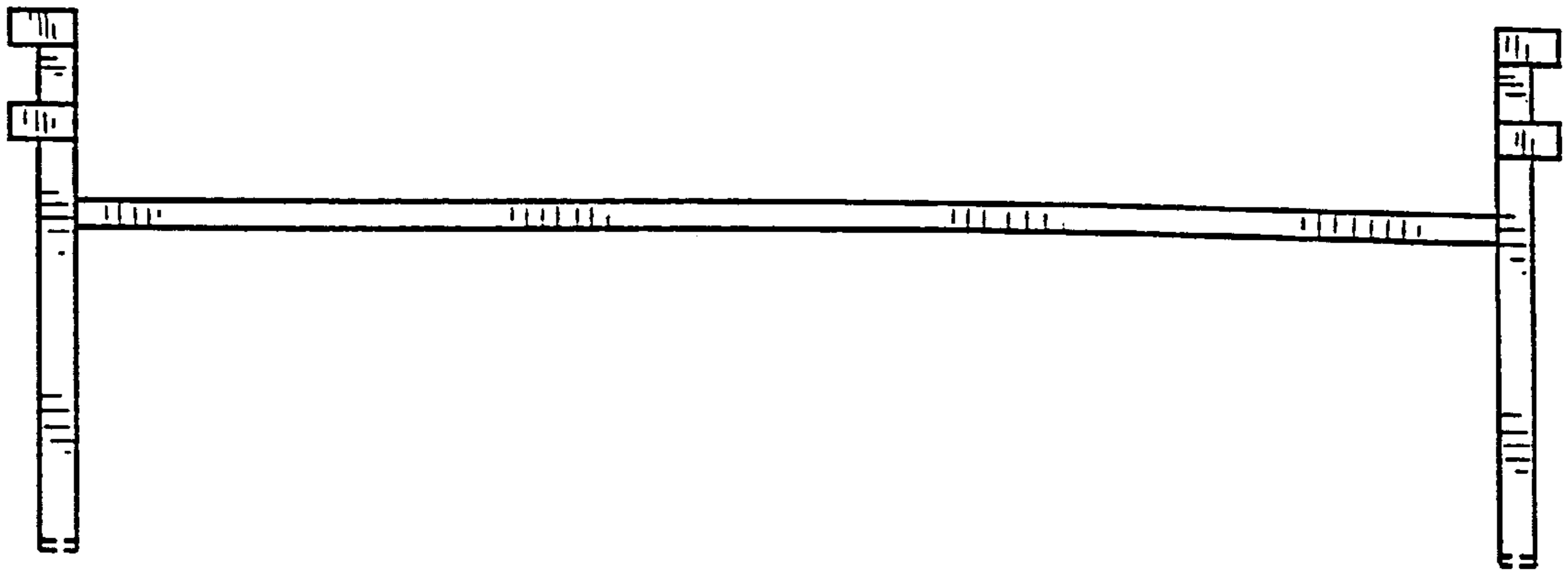


FIG. 2

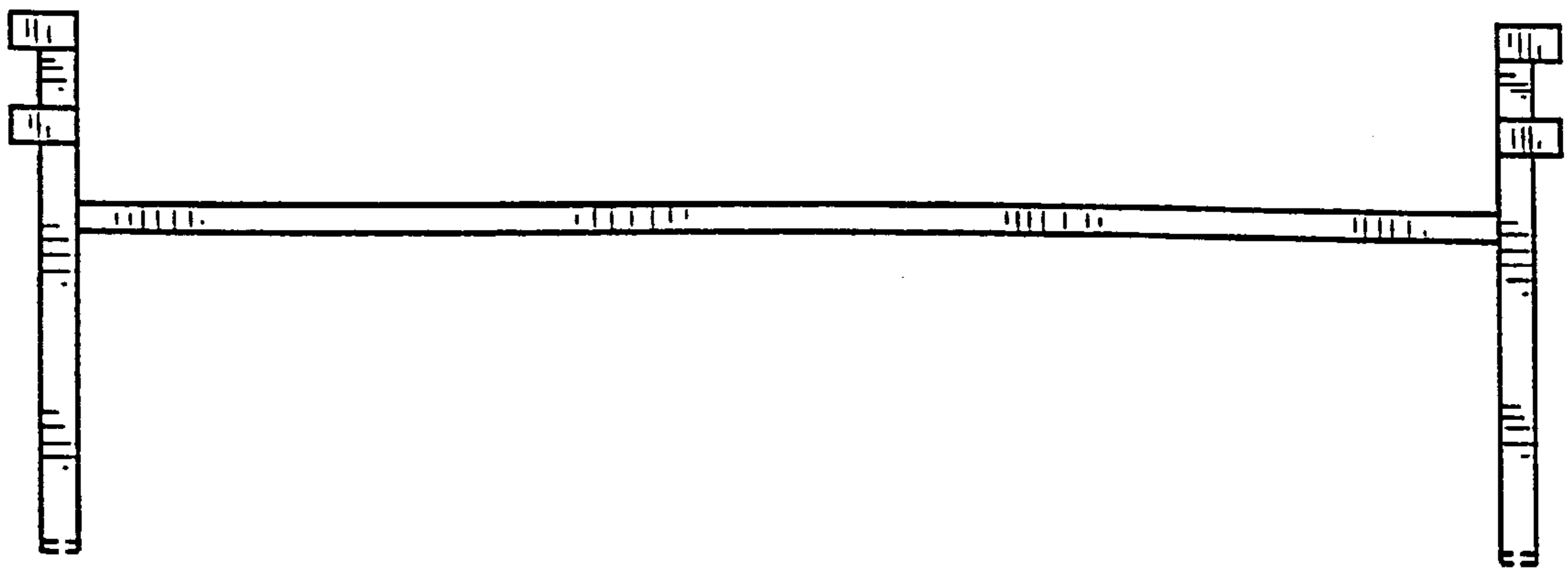


FIG. 3

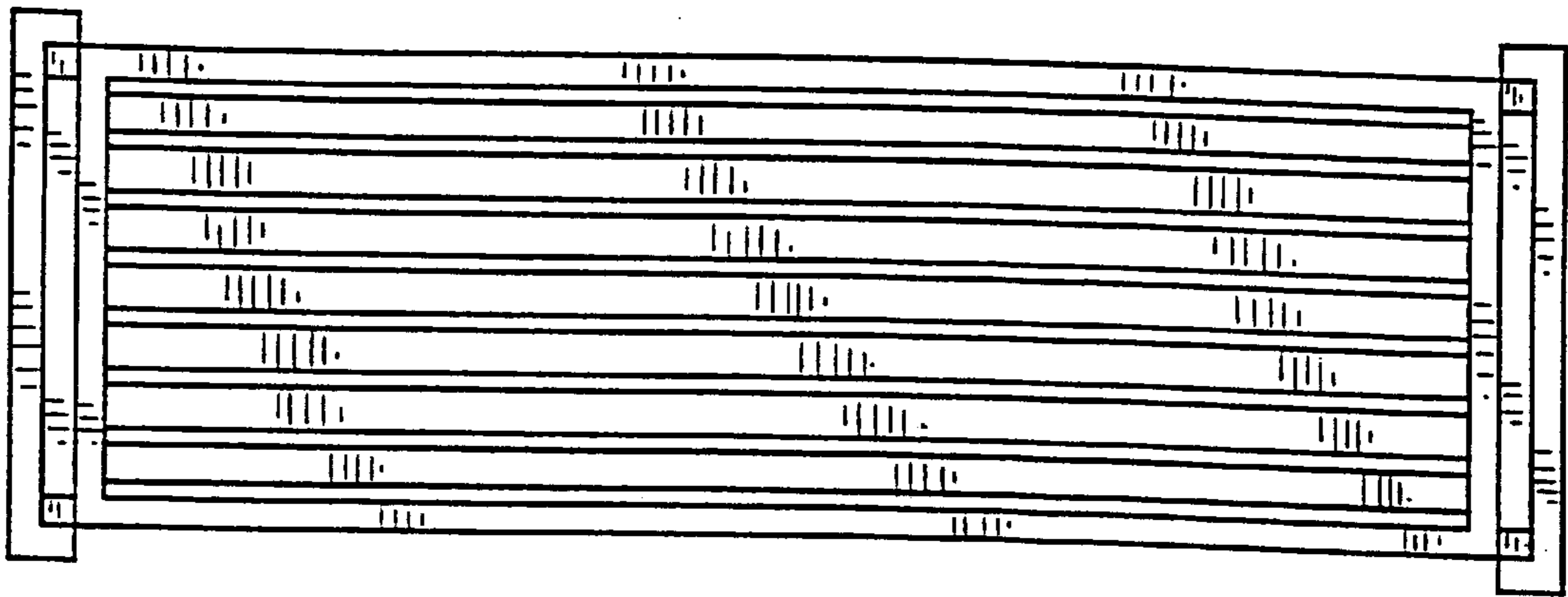


FIG. 4

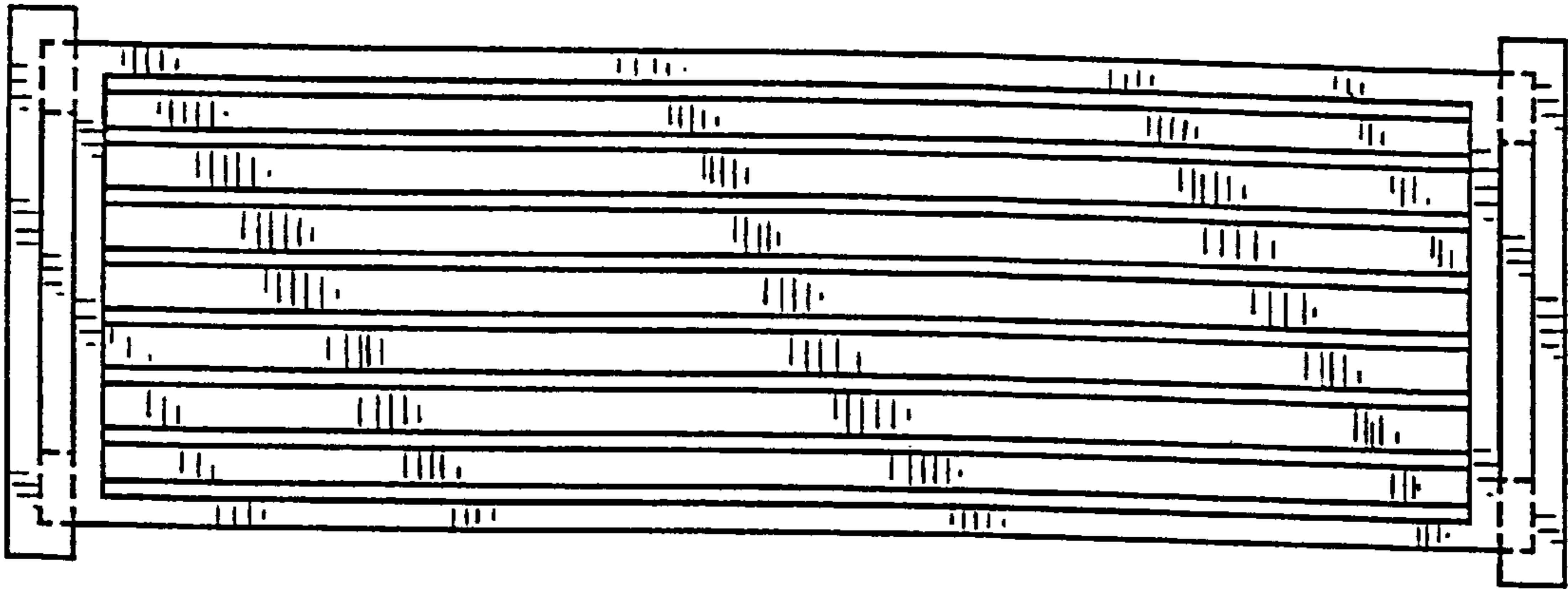


FIG. 5

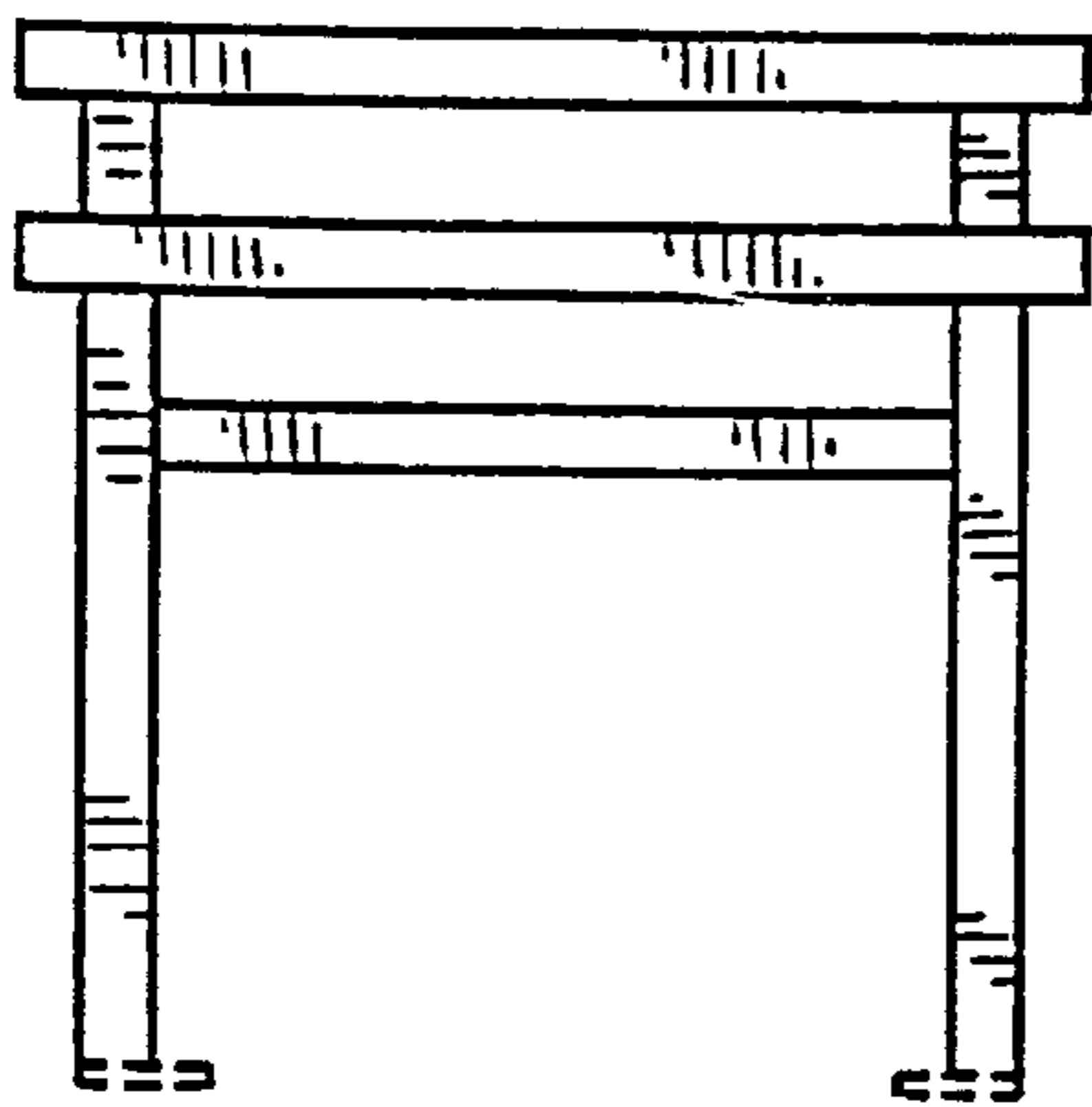


FIG. 6

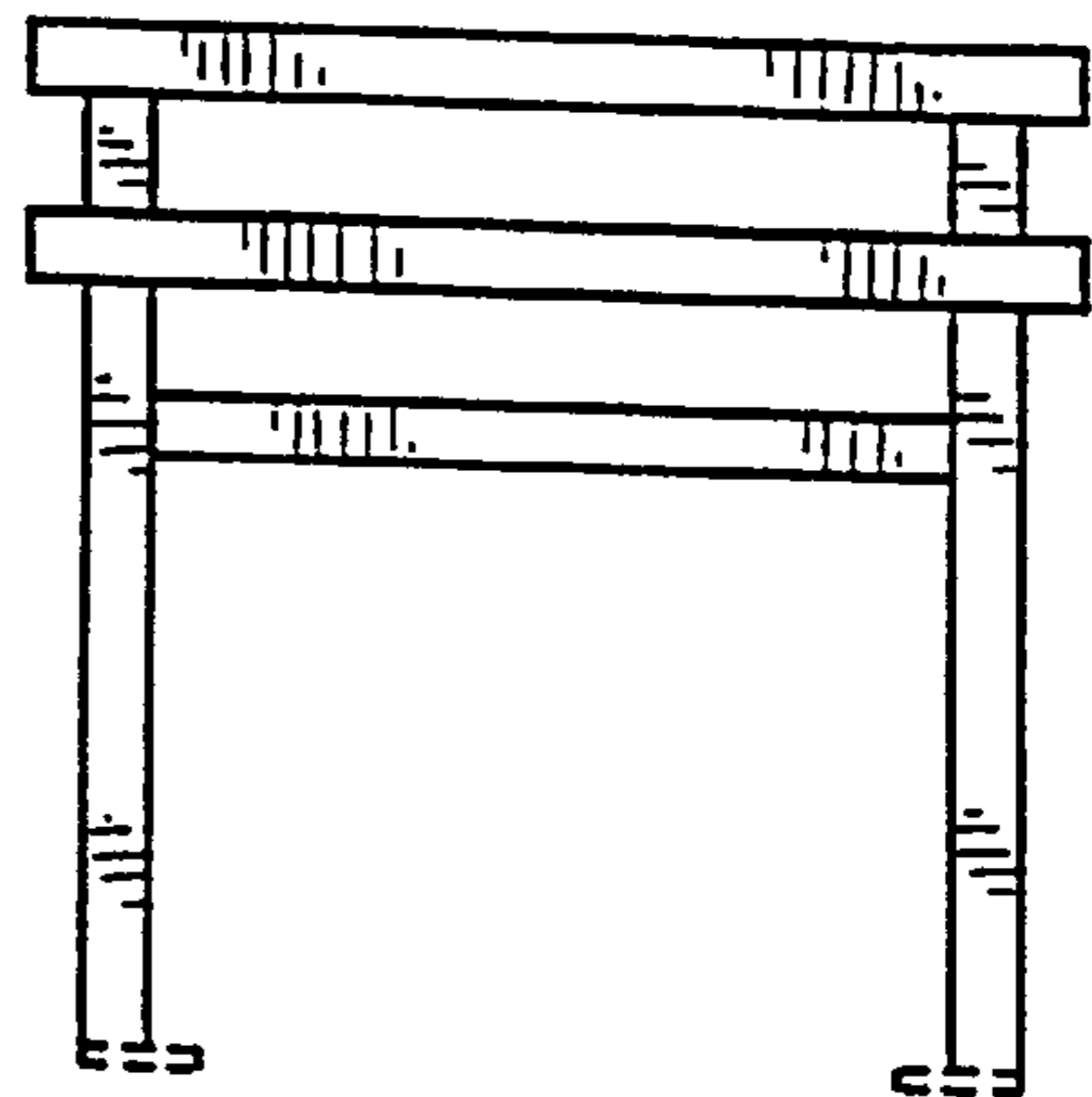


FIG. 7