



US00D423238S

# United States Patent [19] O'Brien

[11] Patent Number: Des. 423,238

[45] Date of Patent: \*\* Apr. 25, 2000

[54] PORTABLE PICNIC TABLE AND BENCHES

[76] Inventor: **Ronald J. O'Brien**, 76 Baker St.,  
Gardner, Mass. 01440

[\*\*] Term: **14 Years**

[21] Appl. No.: **29/095,172**

[22] Filed: **Oct. 17, 1998**

[51] LOC (6) Cl. .... **06-01**

[52] U.S. Cl. .... **D6/337**

[58] Field of Search ..... D6/334, 335, 336,  
D6/337, 368, 500, 501, 502; 297/34, 139,  
158.5, 183.5, 380

[56] **References Cited**

U.S. PATENT DOCUMENTS

1,275,649	8/1918	Blando .....	297/34
1,381,682	6/1921	Webster et al. ....	297/139
1,643,947	10/1927	Hill .....	297/139
1,646,922	10/1927	Mackinnon .....	297/139
1,967,590	7/1934	Pfluke .....	297/139
2,217,576	10/1940	Weber .....	D6/337
2,436,730	2/1948	Repke .....	297/139
2,522,774	9/1950	Bower .....	297/139
2,647,562	8/1953	Hoffar .....	297/139
2,786,514	3/1957	Del Fuoco .....	297/139

2,908,322	10/1959	Taylor .....	297/139
2,991,829	7/1961	Post .....	D6/337
3,244,451	4/1966	Roy .....	297/139
3,336,608	8/1967	Lerner .....	D6/333
3,885,829	5/1975	Haeger .....	297/139
4,653,804	3/1987	Yoo et al. ....	D6/337

*Primary Examiner*—Doris V. Coles  
*Assistant Examiner*—Mimosa De  
*Attorney, Agent, or Firm*—James F. Baird

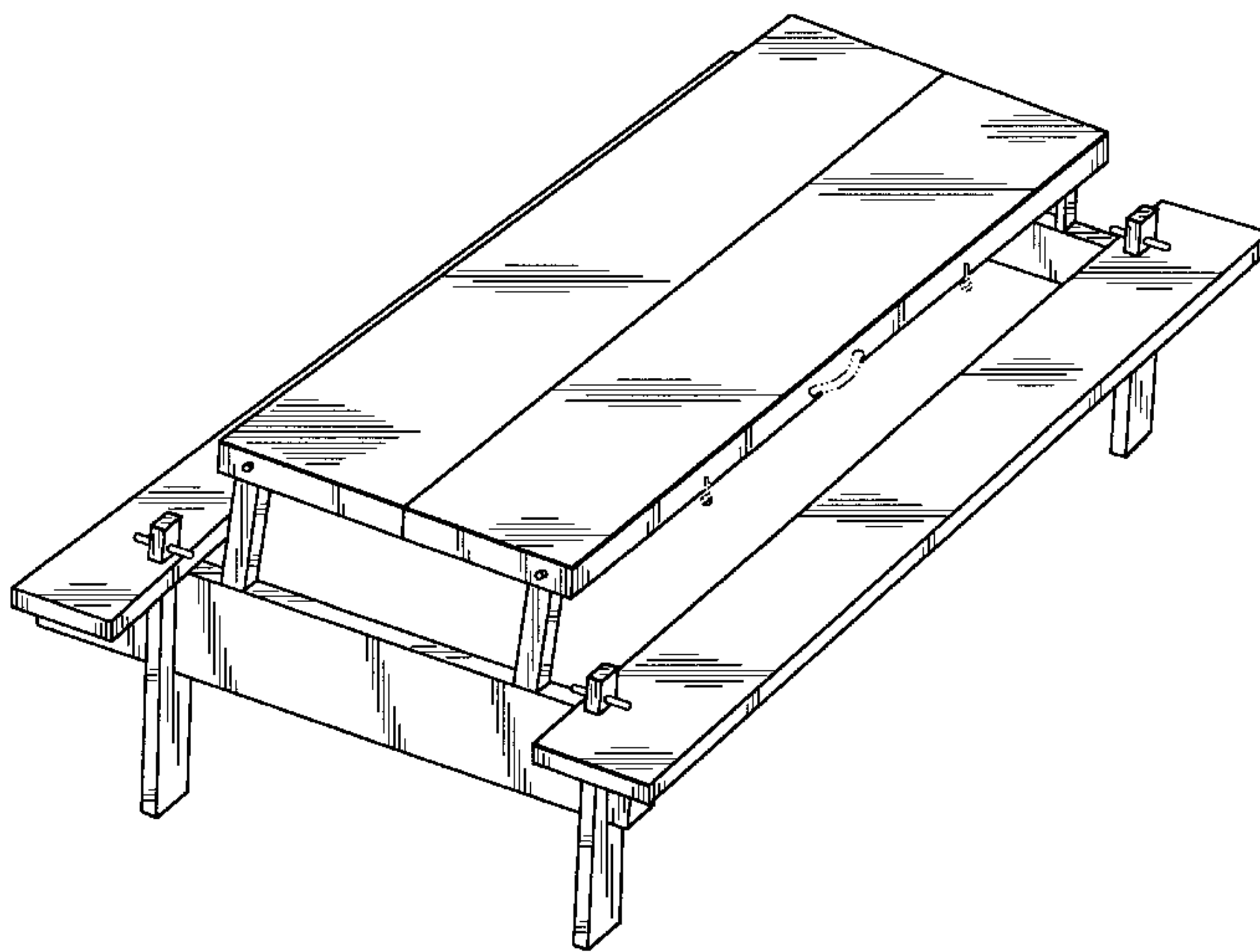
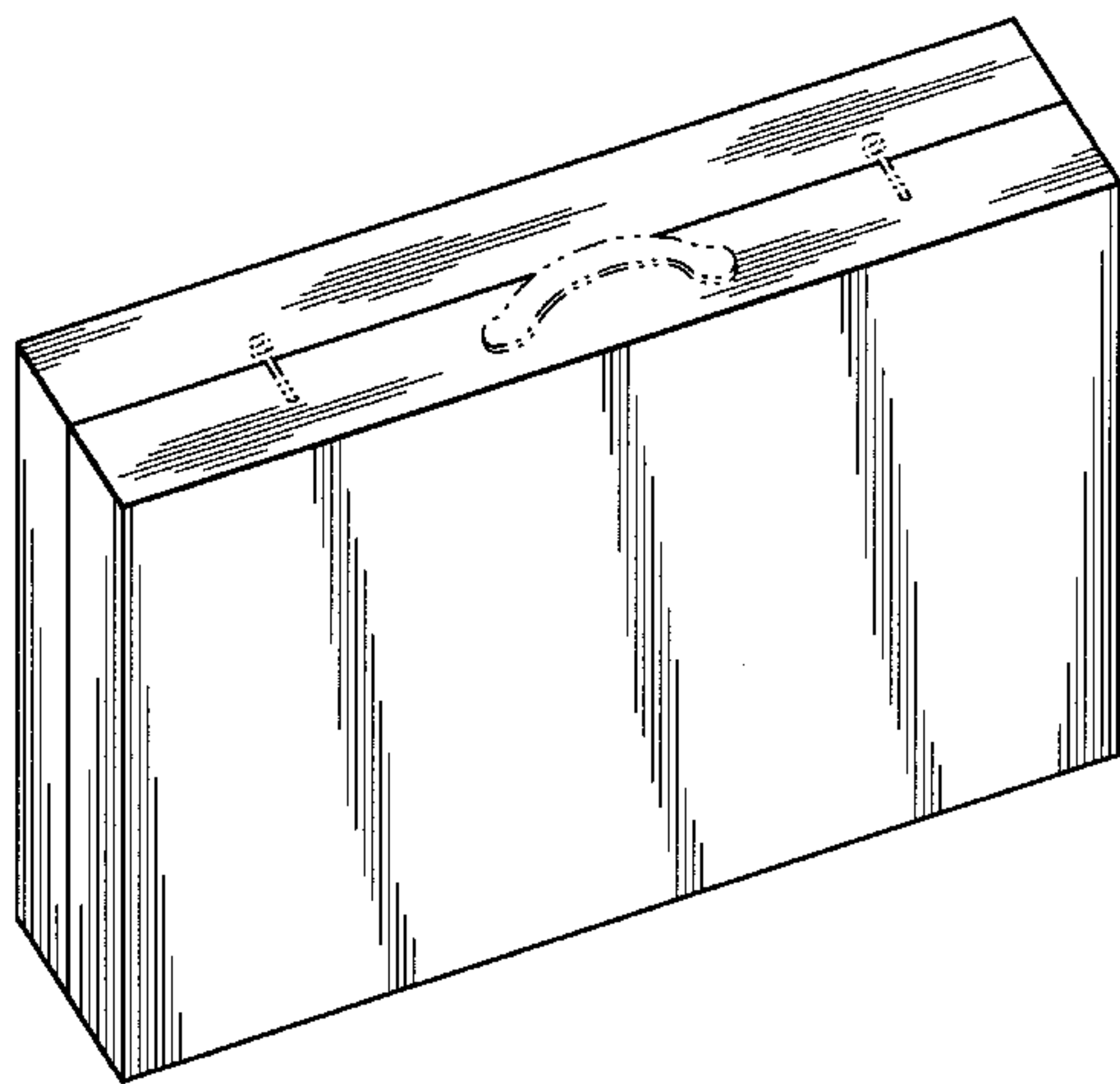
[57] **CLAIM**

The ornamental design for portable picnic table and benches, as shown and described.

**DESCRIPTION**

FIG. 1 is a perspective view of a portable picnic table and benches, in a closed configuration;  
FIG. 2 is a view thereof showing the kit in an open configuration with component parts not removed;  
FIG. 3 is an exploded view of claimed design;  
FIG. 4 is an assembled view thereof;  
FIG. 5 is a top plan view thereof;  
FIG. 6 is a bottom plan view thereof;  
FIG. 7 is a front plan view thereof; and,  
FIG. 8 is a left end plan view.

**1 Claim, 8 Drawing Sheets**



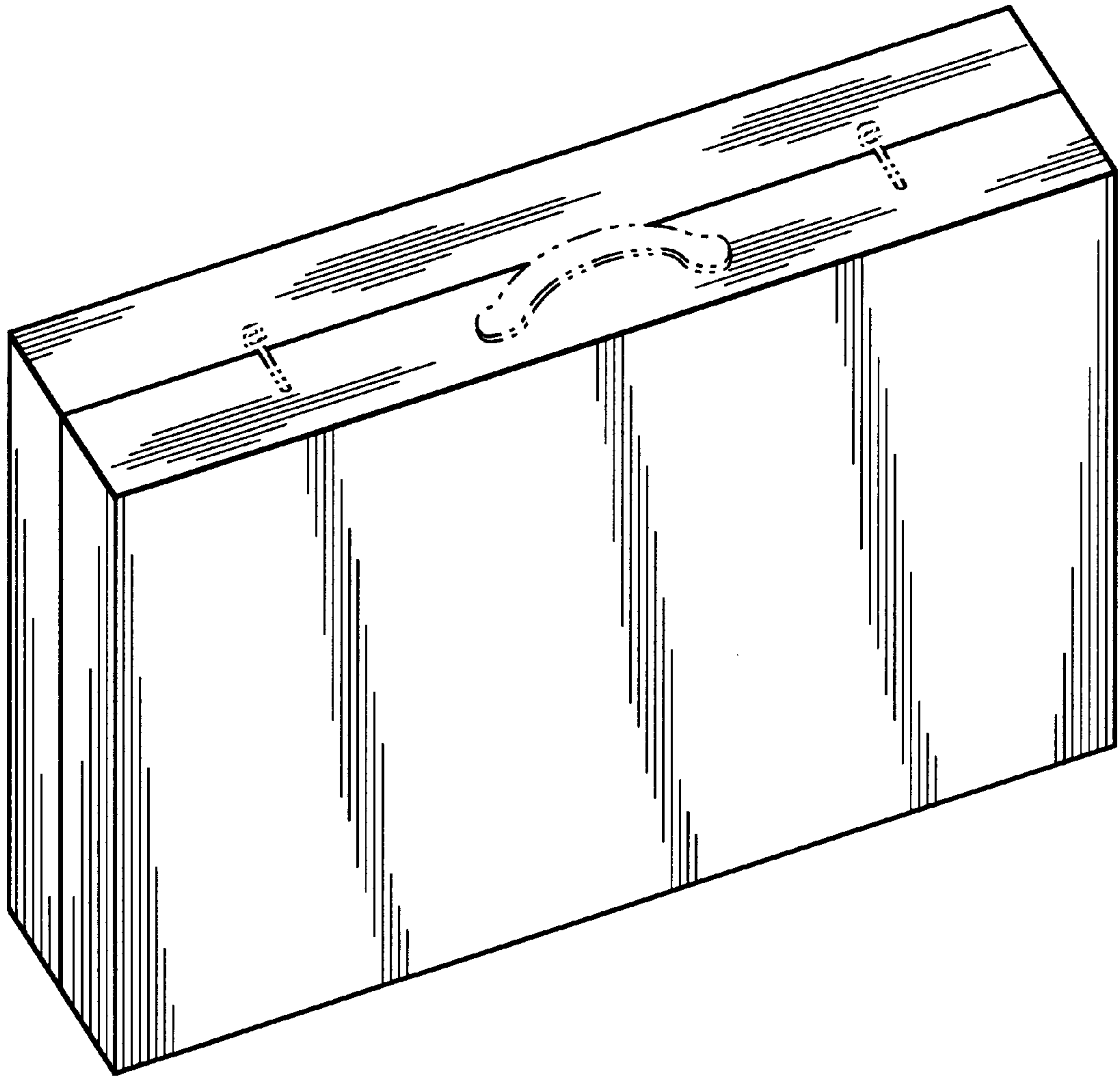


FIG. 1

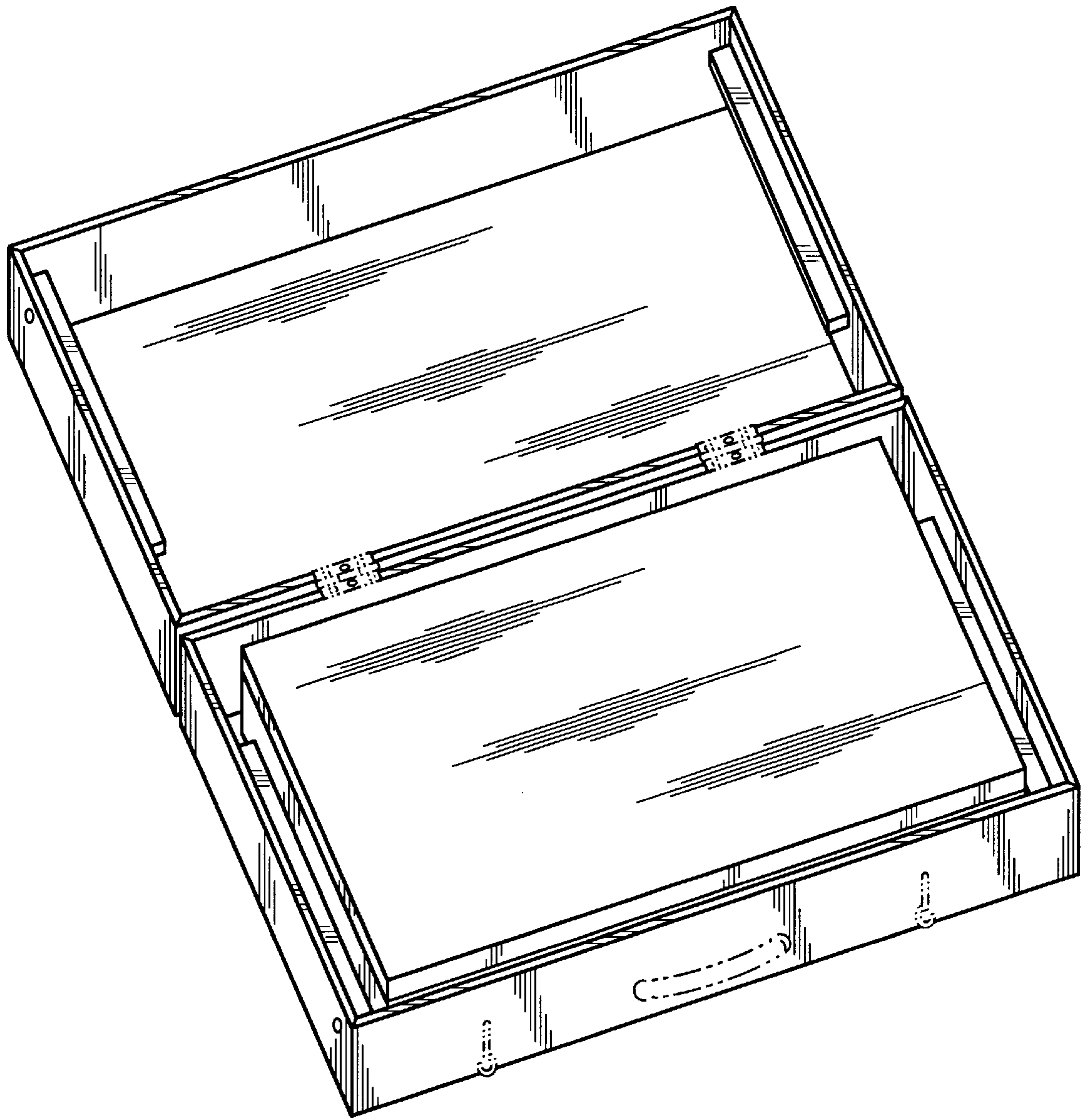


FIG. 2

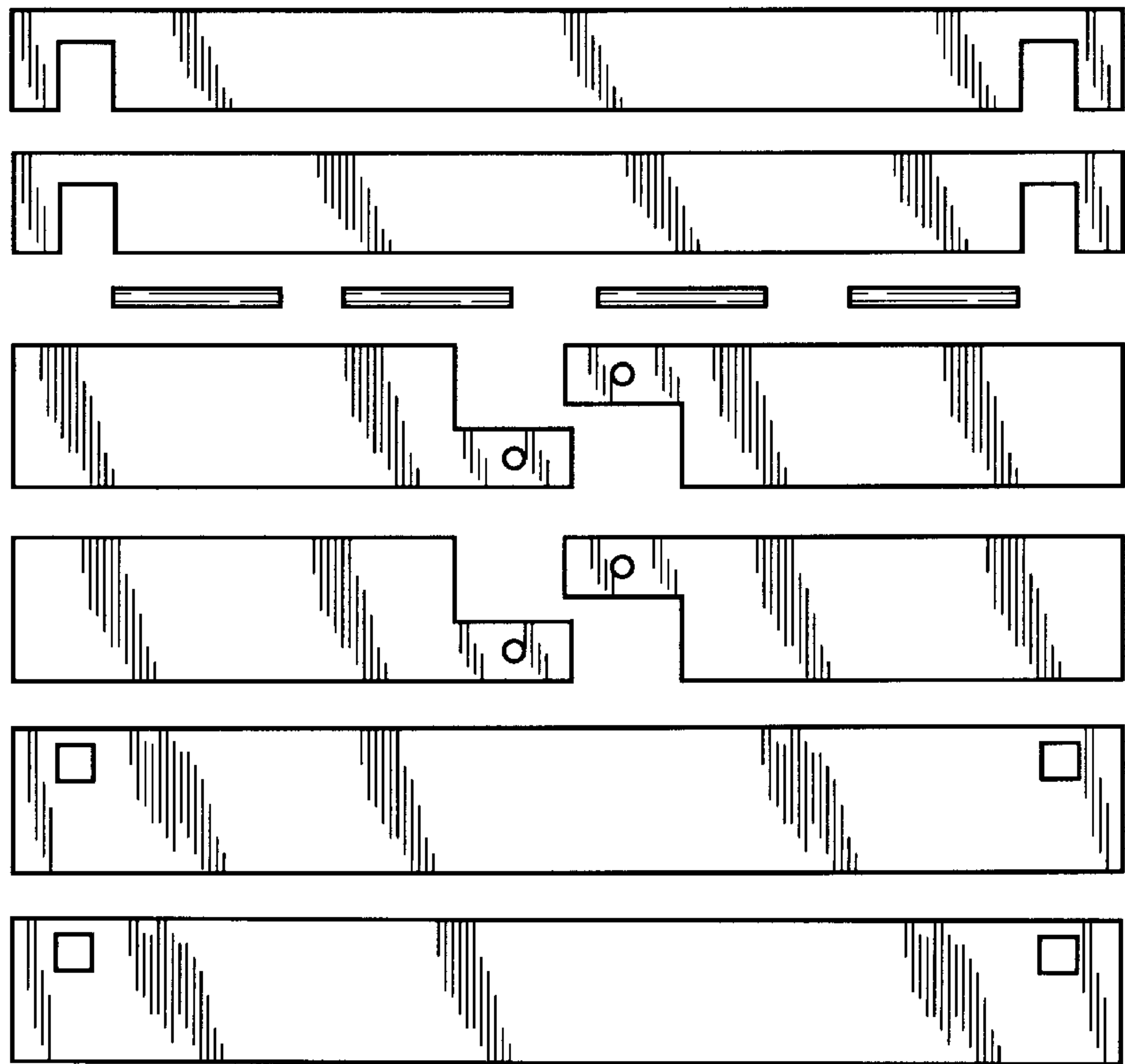
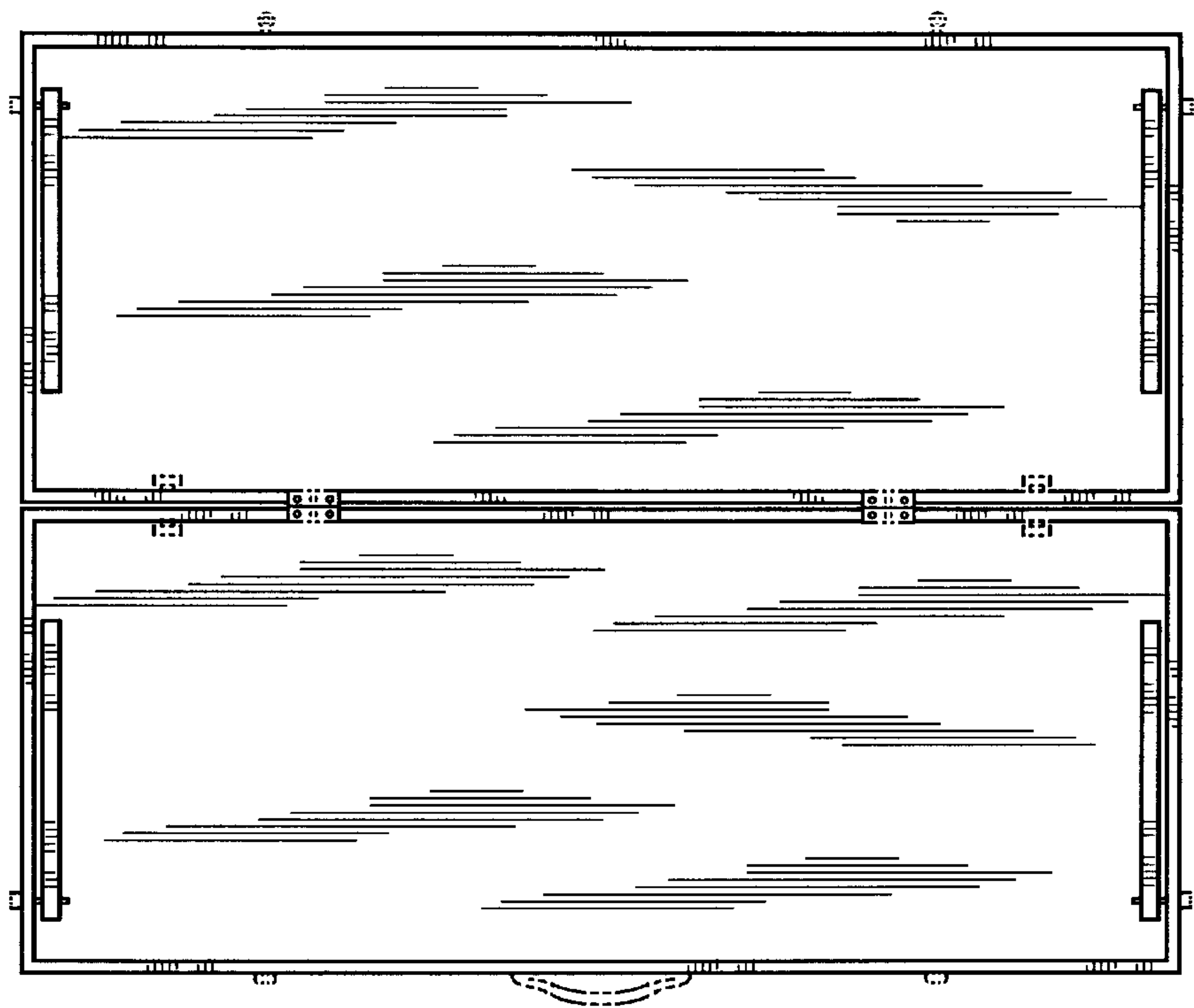


FIG. 3

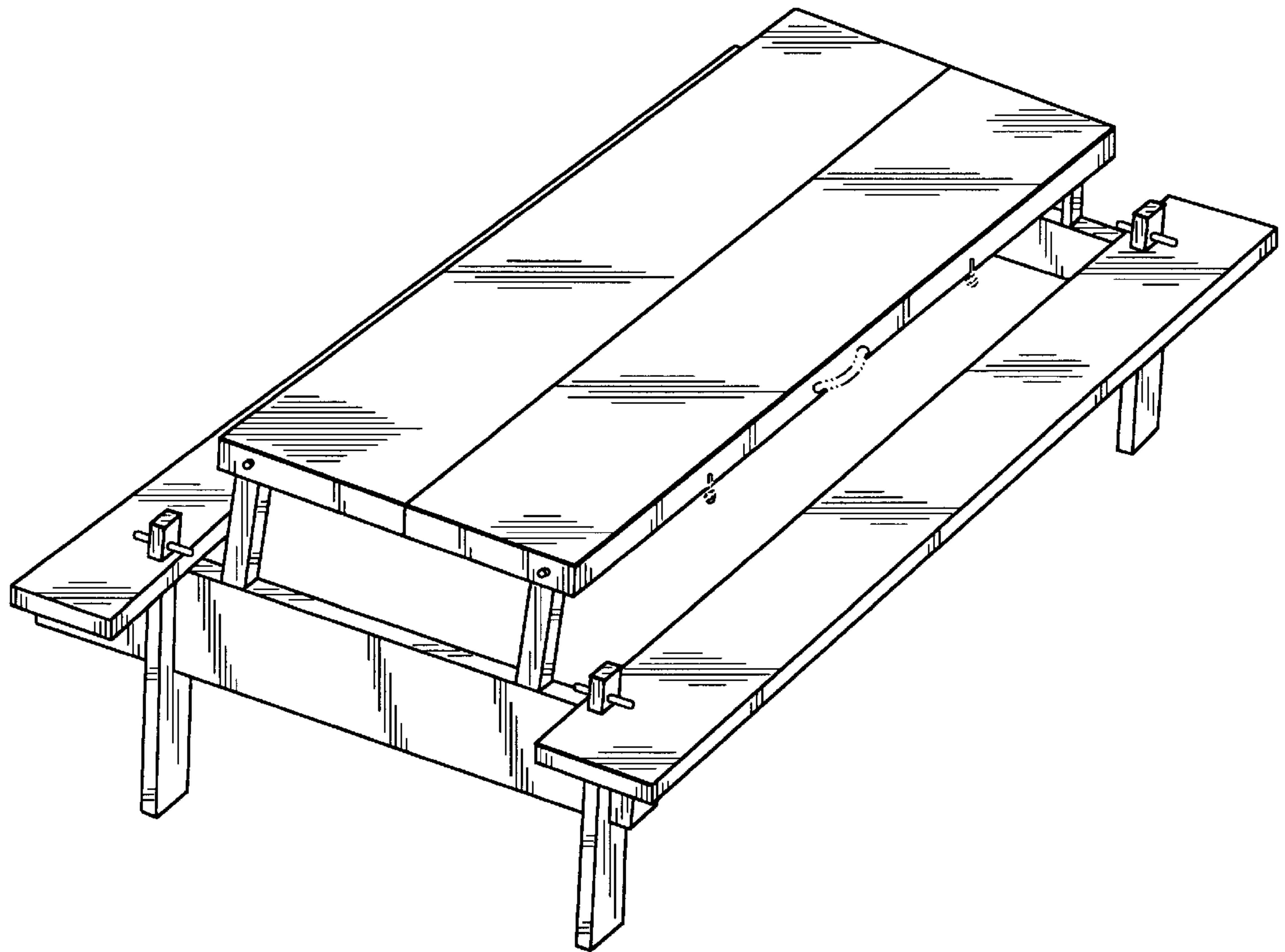


FIG. 4

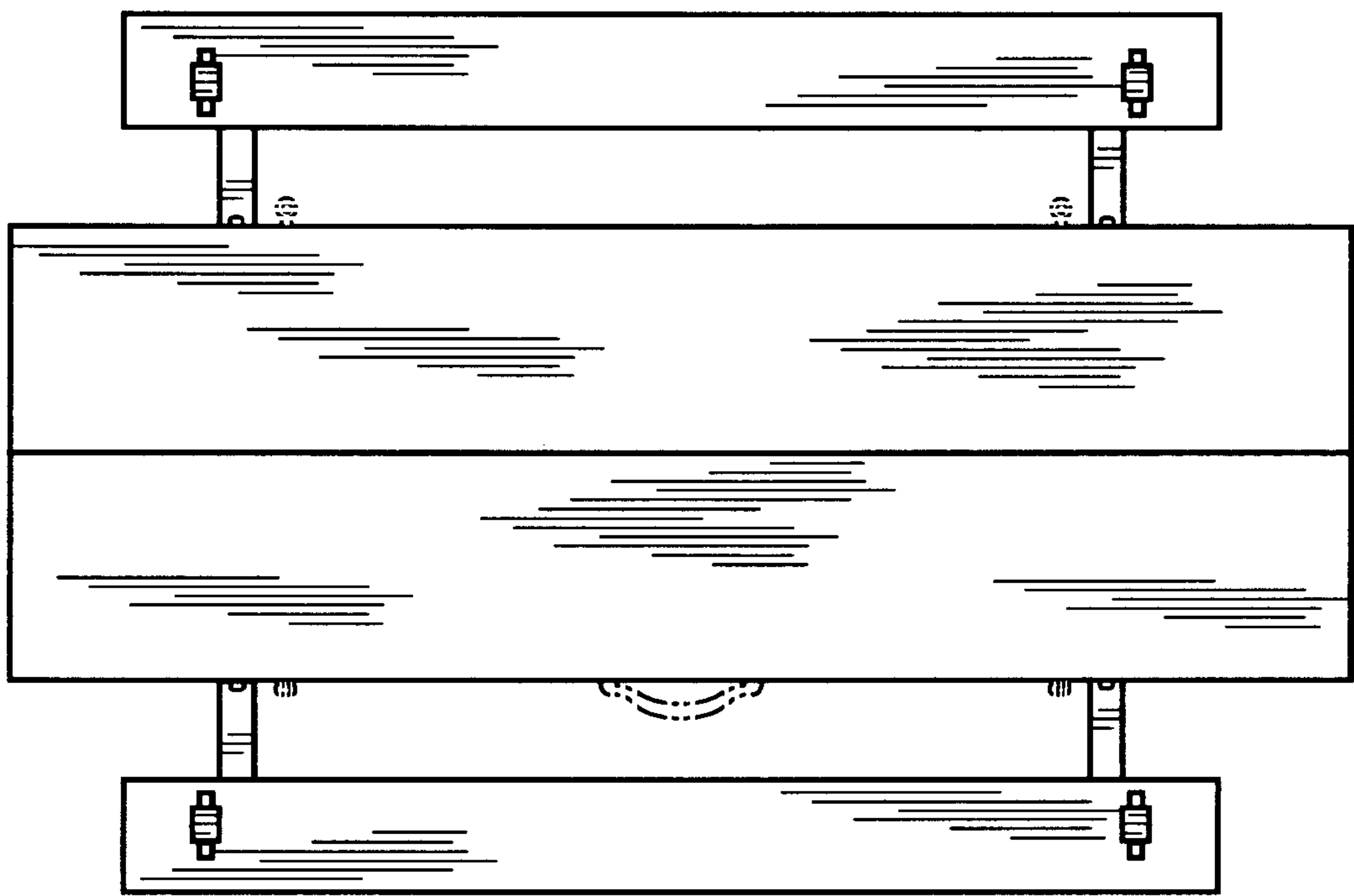


FIG. 5



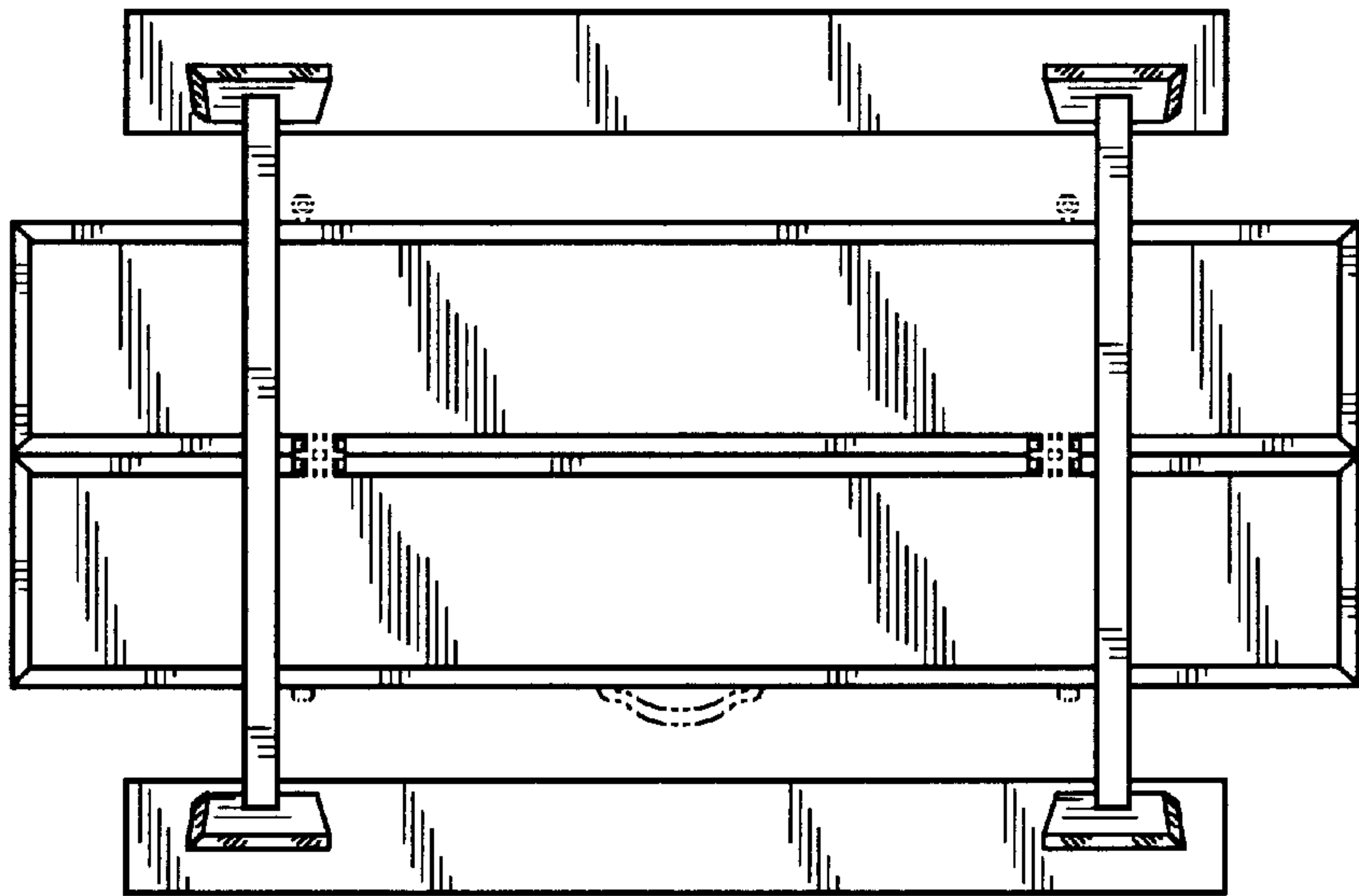


FIG. 6

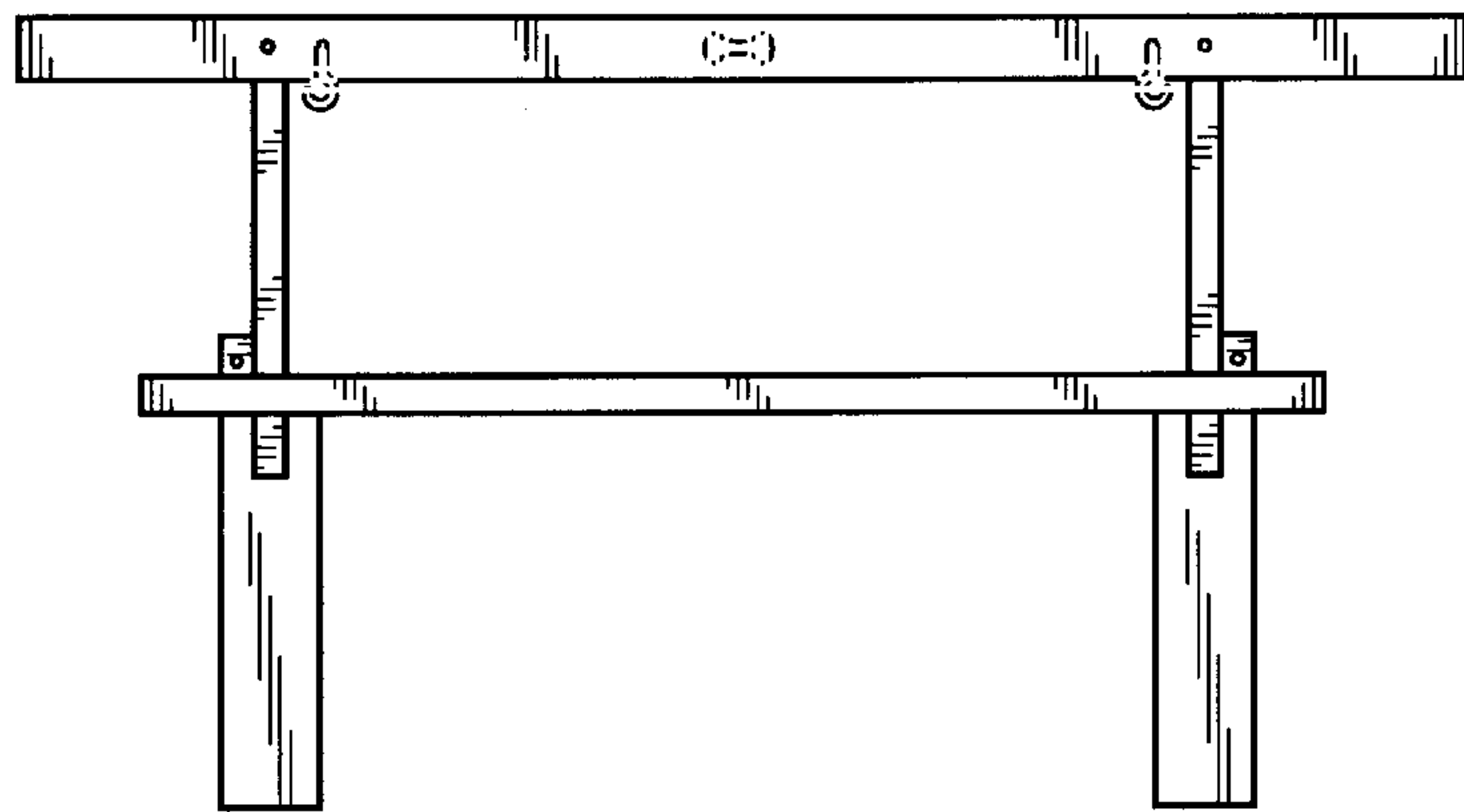


FIG. 7



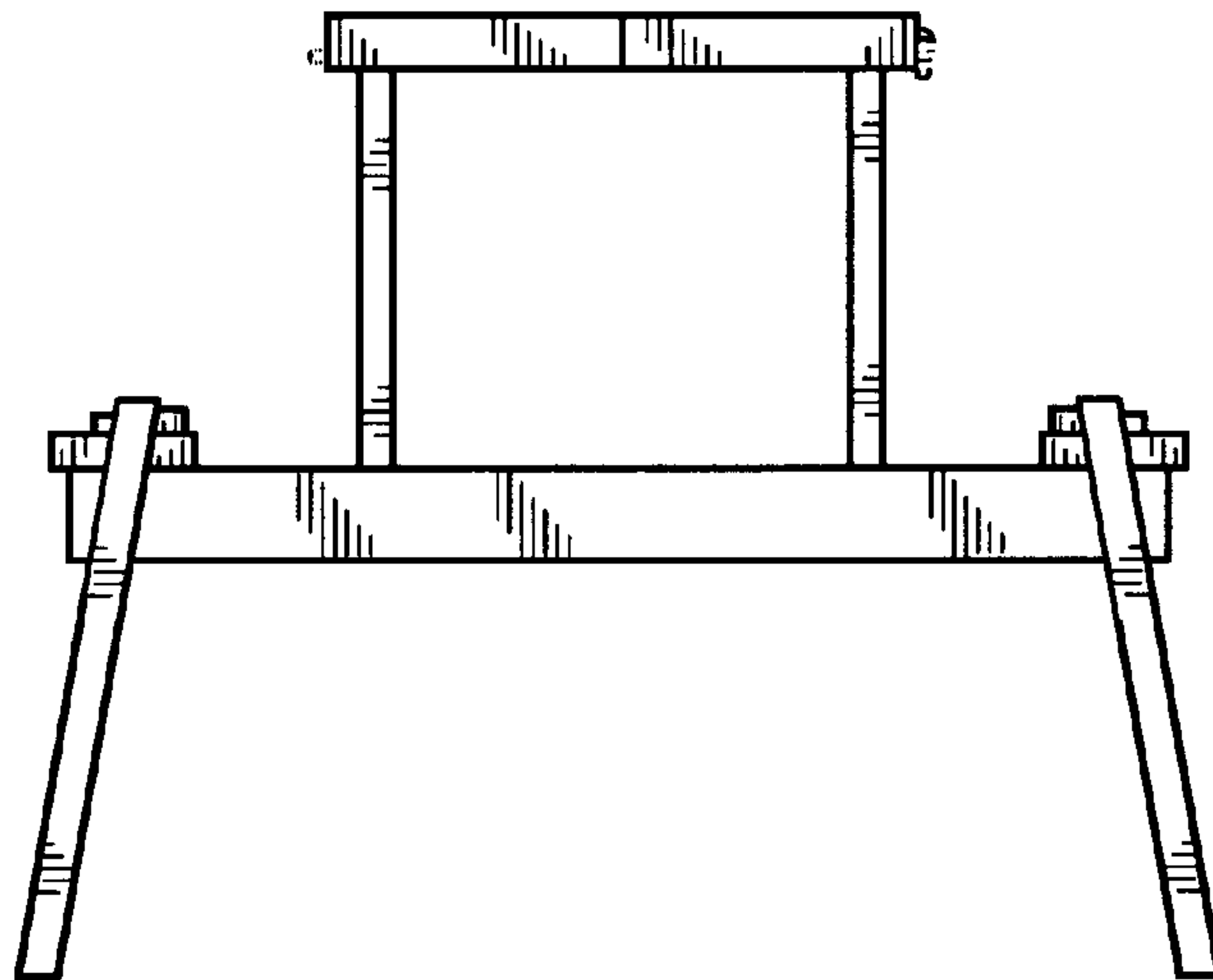


FIG. 8