



US00D423235S

United States Patent [19]

Bond et al.

[11] Patent Number: Des. 423,235

[45] Date of Patent: ** Apr. 25, 2000

[54] PINCH GRIP HANGER

[75] Inventors: Steve Bond, Hauppauge, N.Y.; Michael Hawkins, Chester, United Kingdom

[73] Assignee: Red Wing Products, Inc., N.Y.

[**] Term: 14 Years

[21] Appl. No.: 29/101,156

[22] Filed: Feb. 25, 1999

[51] LOC (6) Cl. 06-08

[52] U.S. Cl. D6/326

[58] Field of Search D6/315, 326, 328; 211/113; 24/500, 501, 511; 223/85, 91, 93, 96

[56] References Cited

U.S. PATENT DOCUMENTS

D. 301,808	6/1989	Marshall	D6/326
D. 381,523	7/1997	Beverly	D6/326
D. 409,006	5/1999	Blanchard	D6/326
5,398,854	3/1995	Blanchard	223/96
5,400,932	3/1995	Hollis	223/96

Primary Examiner—B. J. Bullock

Attorney, Agent, or Firm—McAulay Nissen Goldberg Kiel & Hand LLP

[57] CLAIM

The ornamental design for a pinch grip hanger, as shown and described.

DESCRIPTION

FIG. 1 illustrates a perspective view of the pinch grip hanger according to the design;

FIG. 2 illustrates a front view of the pinch grip hanger of FIG. 1;

FIG. 3 illustrates a cross-sectional view taken on line 3—3 of FIG. 2;

FIG. 4 illustrates a rear view of the pinch grip hanger of FIG. 1;

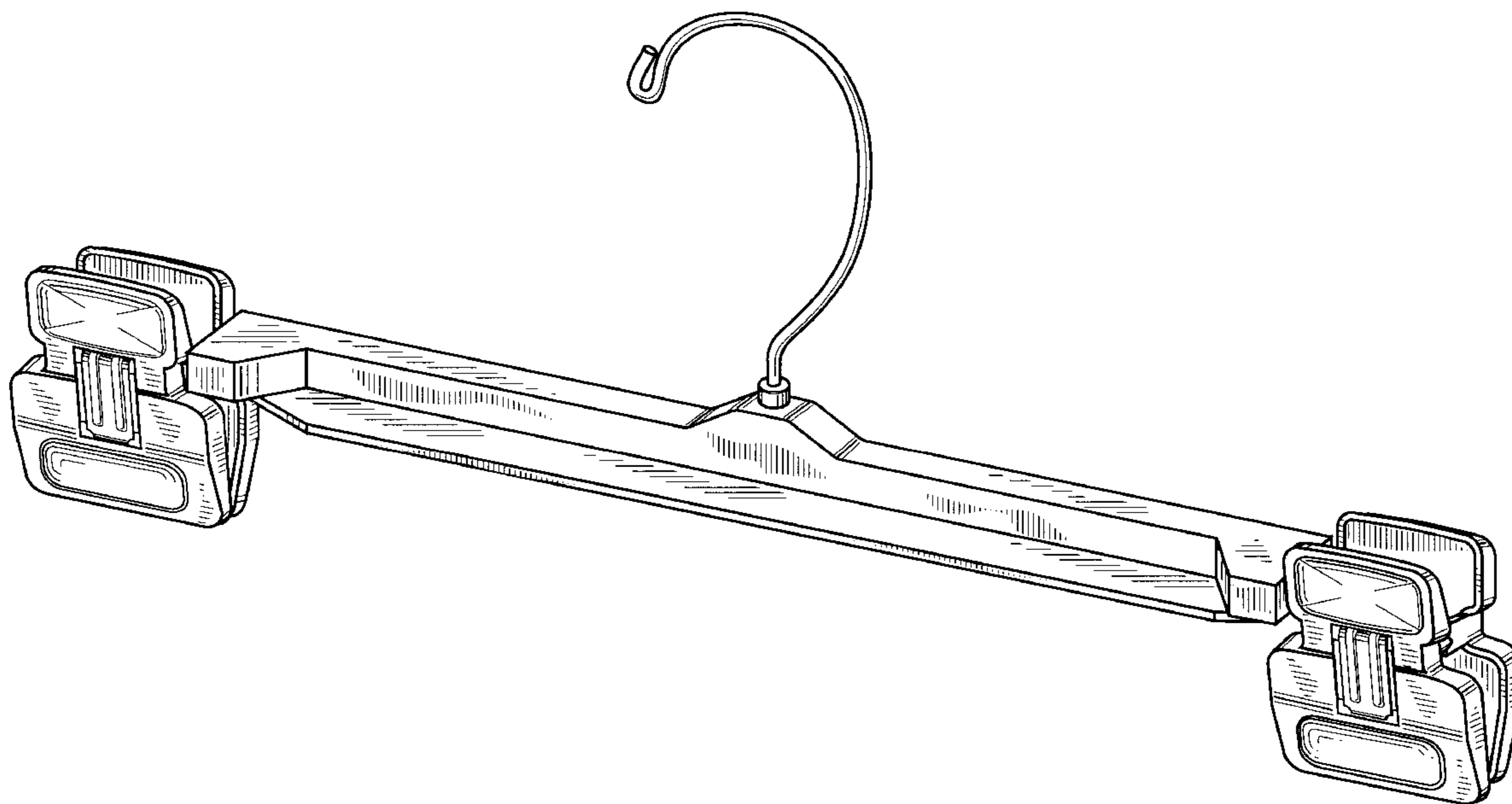
FIG. 5 illustrates a bottom view of the pinch grip hanger of FIG. 1;

FIG. 6 illustrates a right-hand side view of the pinch grip hanger of FIG. 1; and,

FIG. 7 illustrates a left-hand side view of the pinch grip hanger of FIG. 1.

The surface(s) or portion(s) of the article not shown in the drawing or described in the specification form(s) no part of the claimed design.

1 Claim, 4 Drawing Sheets



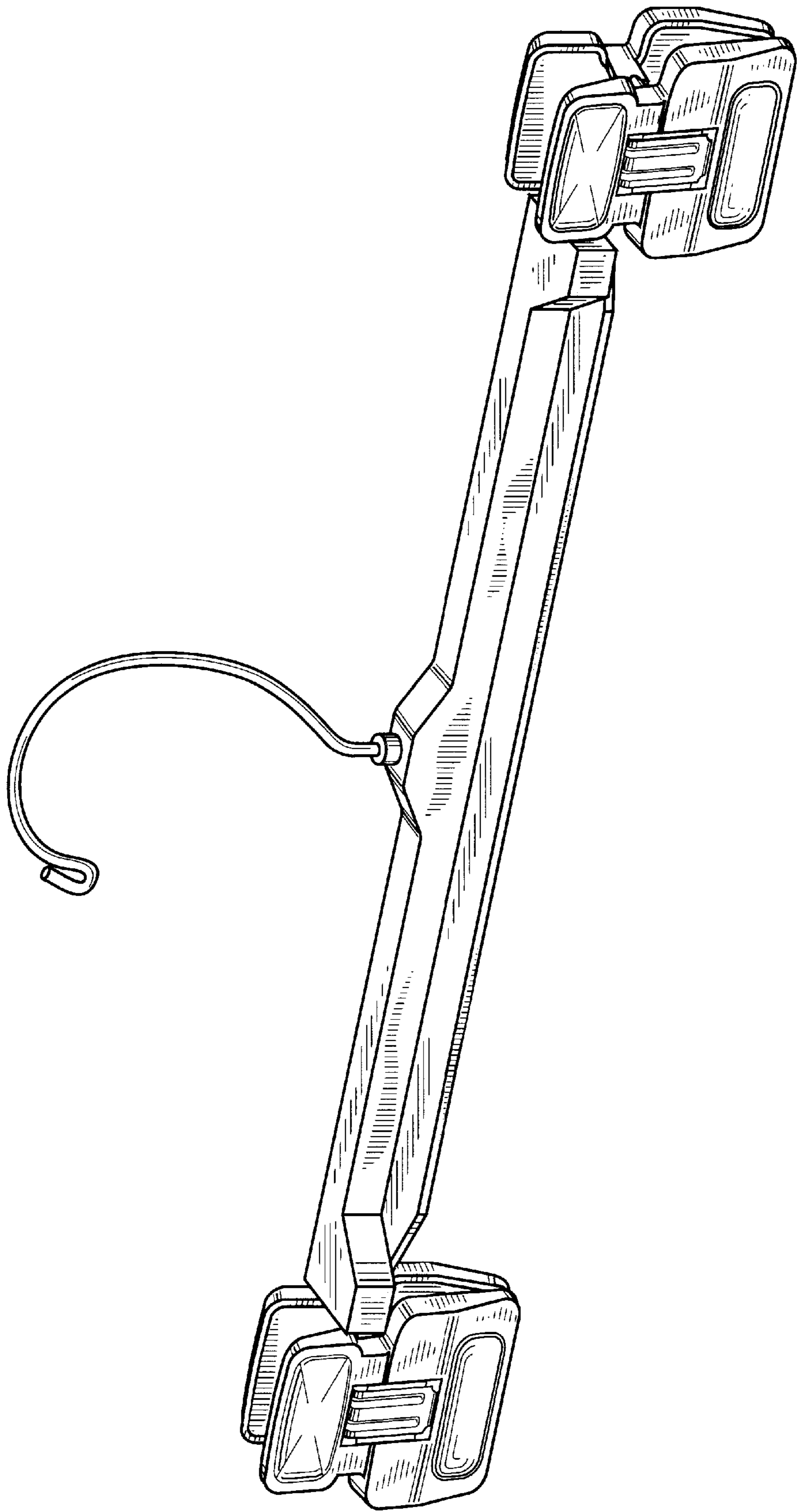


FIG. 1

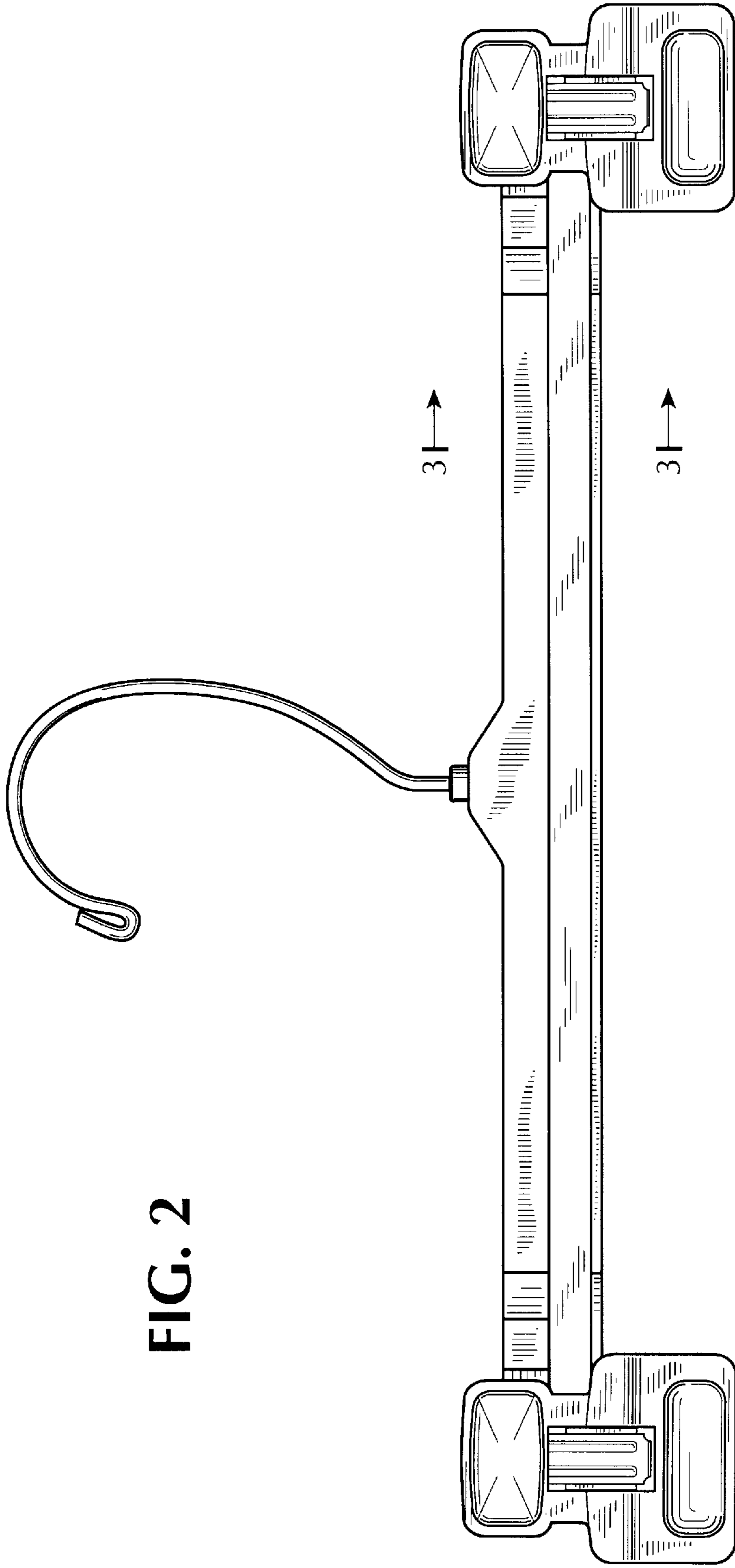


FIG. 2

FIG. 3



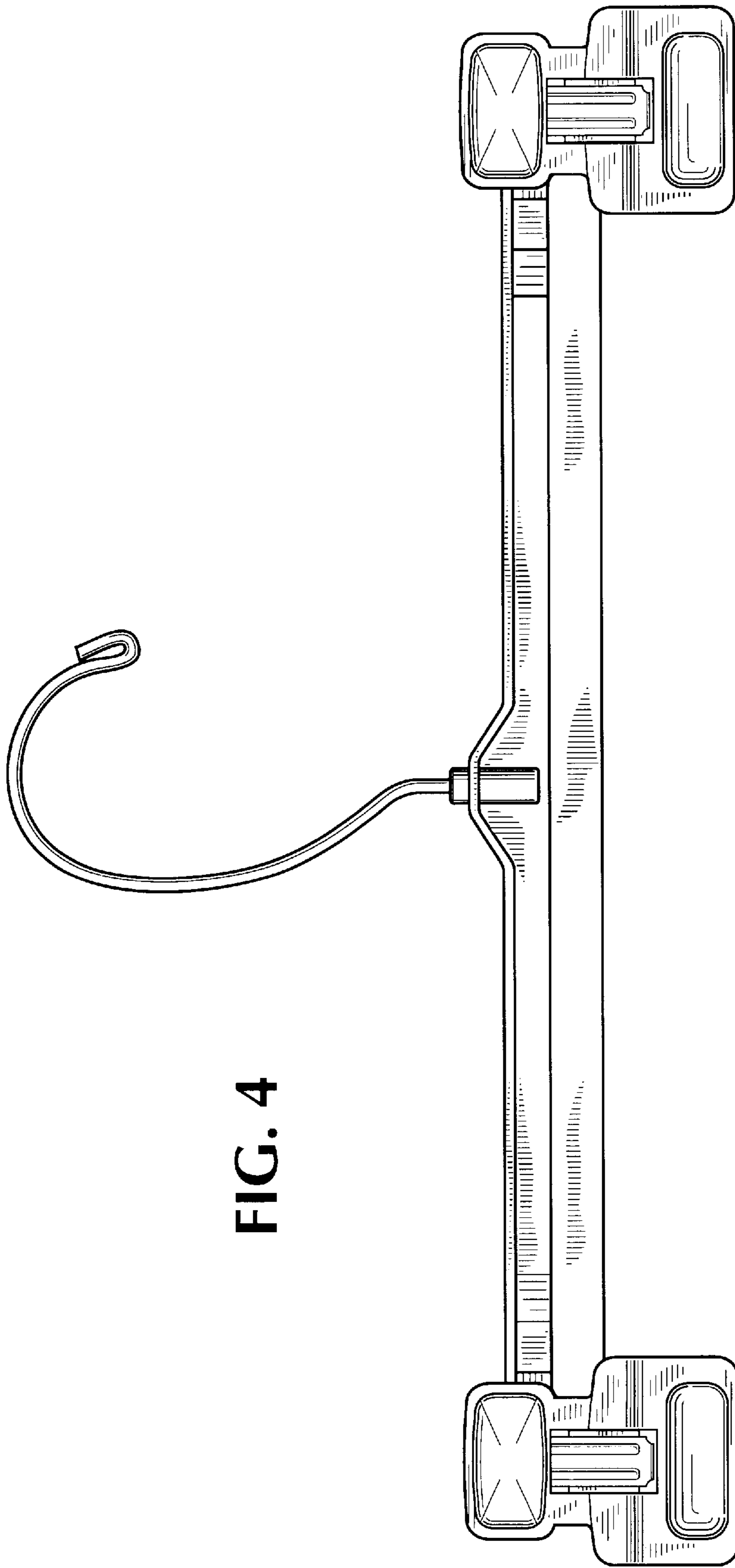


FIG. 4

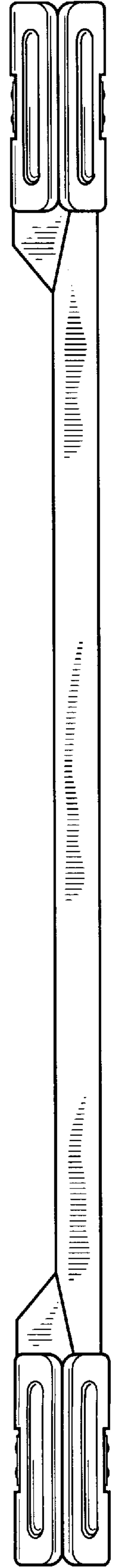


FIG. 5

FIG. 7

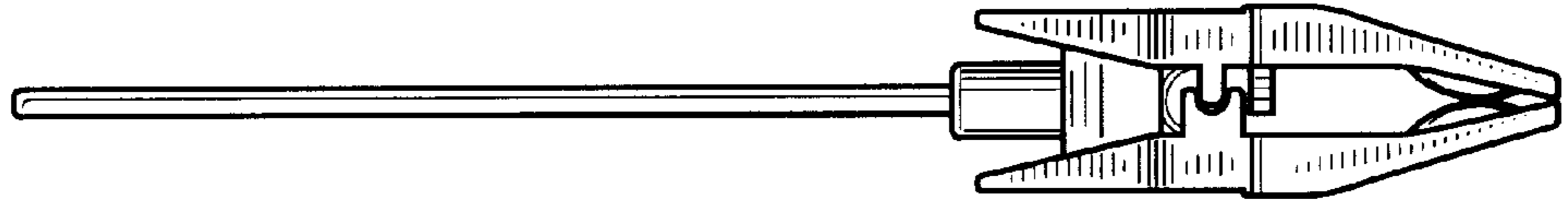


FIG. 6

