



US00D423233S

United States Patent [19]
Hofstee

[11] **Patent Number: Des. 423,233**

[45] **Date of Patent: ** Apr. 25, 2000**

[54] **CLOTHES HANGER**

[76] Inventor: **Camiel Hofstee**, Beyemansweg 18, PG Laren, Netherlands, 1251

[**] Term: **14 Years**

[21] Appl. No.: **29/096,570**

[22] Filed: **Nov. 16, 1998**

[30] **Foreign Application Priority Data**

May 14, 1998 [BX] Benelux TM/Des. Off. 74473-01
May 14, 1998 [BX] Benelux TM/Des. Off. 74473-02

[51] **LOC (6) Cl.** **06-08**

[52] **U.S. Cl.** **D6/318**

[58] **Field of Search** D6/315, 317-319,
D6/513; 223/85, 88, 92; 211/113; 224/927,
558, 275, 555, 313, 560

[56] **References Cited**

U.S. PATENT DOCUMENTS

1,722,122 7/1929 Wilson .
2,255,973 9/1941 Hoobler .
4,957,230 9/1990 Gonzales 223/88
5,058,790 10/1991 Lavelle 224/275
5,383,588 1/1995 Kazel 224/275
5,904,278 5/1999 Barlow et al. 223/85

OTHER PUBLICATIONS

Hold Everything Cat.; p. 24; hanger in valet, Aug. 1991.
Stuart M. Lerner Purchasing Guide Supplies; p. 18; hanger # 32 BW, 1961.

Primary Examiner—B. J. Bullock
Attorney, Agent, or Firm—Deveau & Marquis

[57] **CLAIM**

The ornamental design for a clothes hanger, as shown.

DESCRIPTION

FIG. 1 is a front view of a clothes hanger.
FIG. 2 is a rear view of a clothes hanger.
FIG. 3 is a top view of a clothes hanger.
FIG. 4 is a bottom view of a clothes hanger.
FIG. 5 is a left side view of a clothes hanger according.
FIG. 6 is a right side view of a clothes hanger.
FIG. 7 is a perspective rear view of a clothes hanger.
FIG. 8 is a perspective rear view of a clothes hanger.
FIG. 9 is a perspective front view of a clothes hanger.
FIG. 10 is a perspective front view of a clothes hanger.
FIG. 11 is a front view of a clothes hanger according to an alternate embodiment.
FIG. 12 is a rear view of a clothes hanger according to an alternate embodiment.
FIG. 13 is a top view of a clothes hanger according to an alternate embodiment.
FIG. 14 is a bottom view of a clothes hanger according to an alternate embodiment.
FIG. 15 is a left side view of a clothes hanger according to an alternate embodiment.
FIG. 16 is a right side view of a clothes hanger according to an alternate embodiment.
FIG. 17 is a perspective rear view of a clothes hanger according to an alternate embodiment.
FIG. 18 is a perspective rear view of a clothes hanger according to an alternate embodiment.
FIG. 19 is a perspective front view of a clothes hanger according to an alternate embodiment; and,
FIG. 20 is a perspective front view of a clothes hanger according to an alternate embodiment.

1 Claim, 4 Drawing Sheets

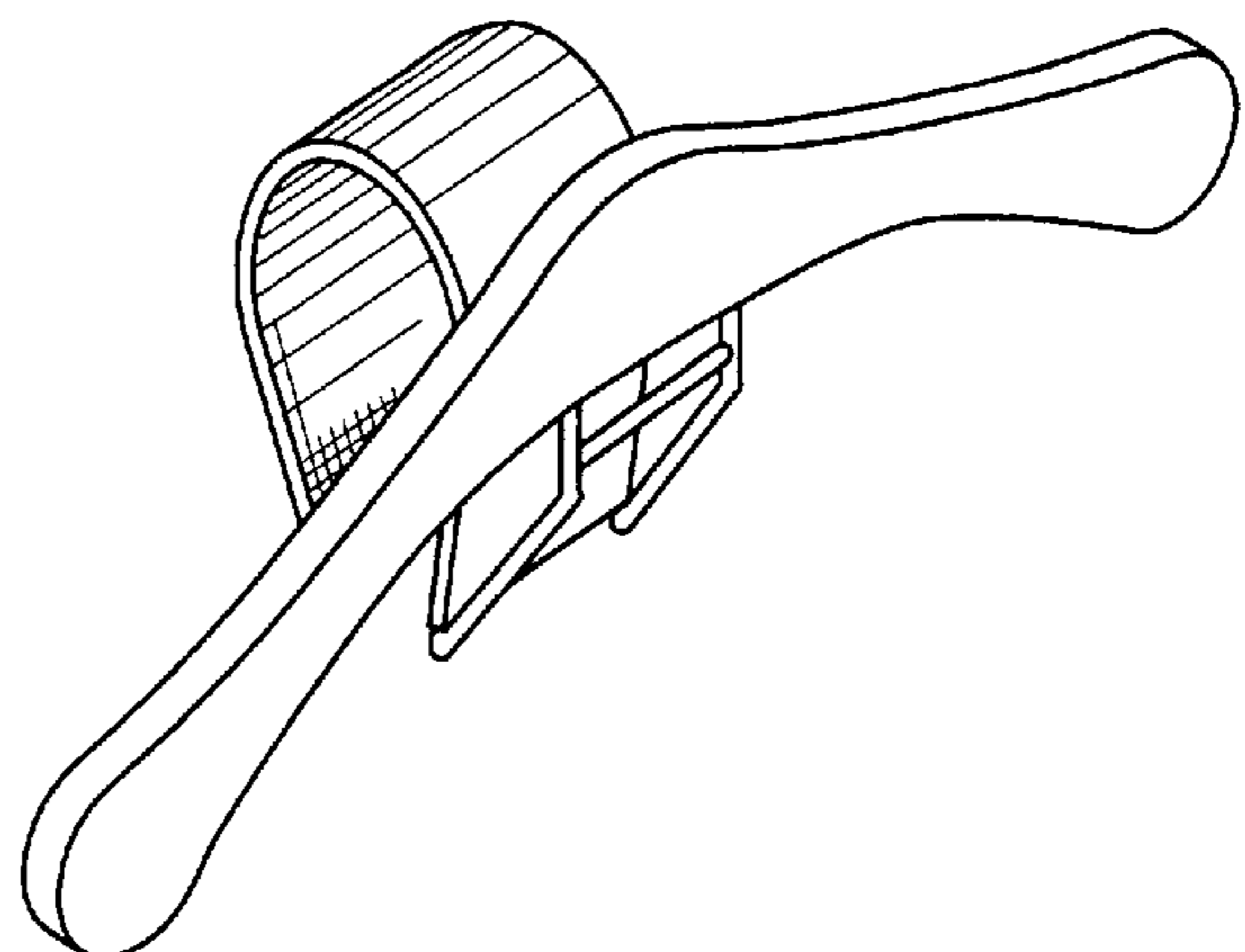
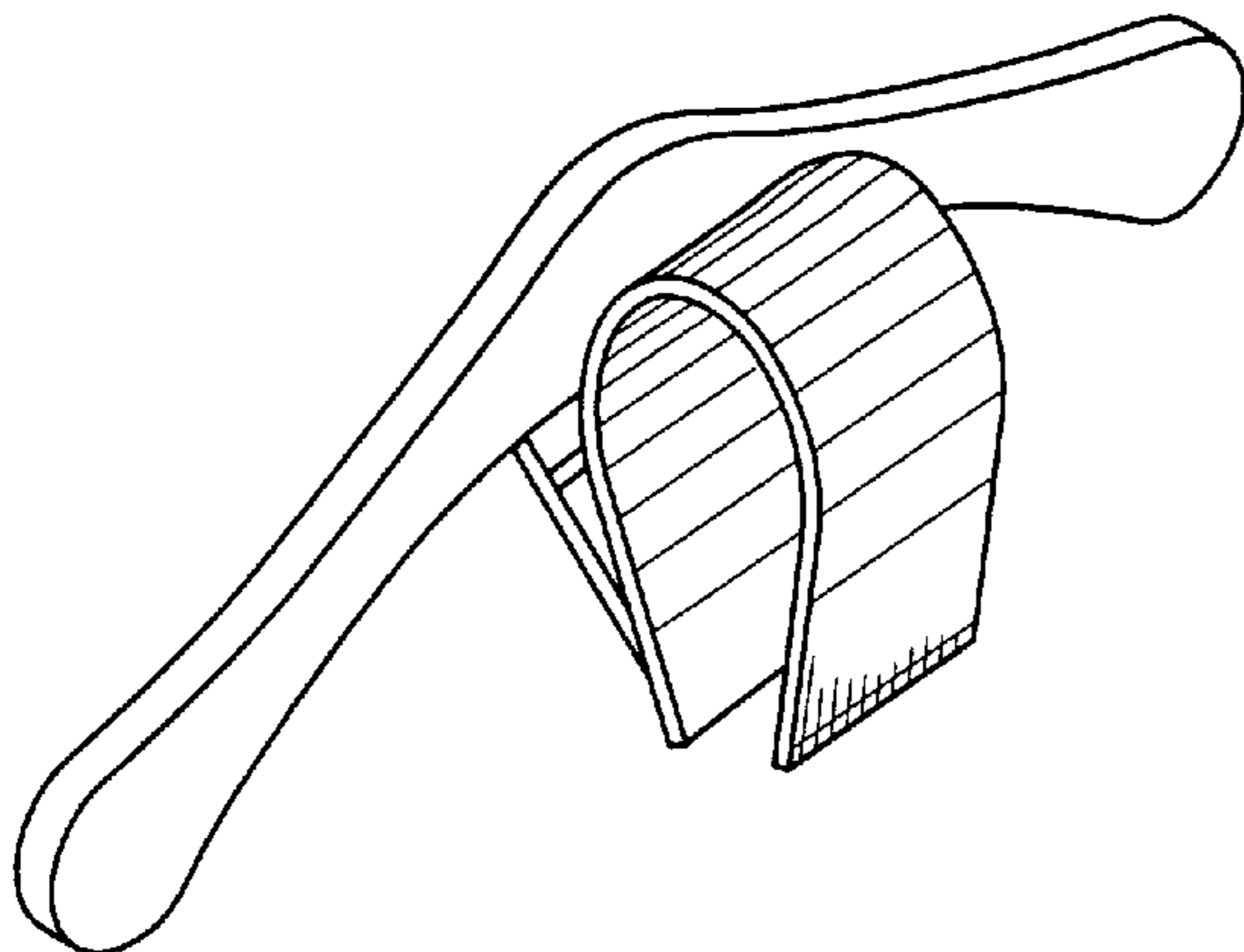


FIG. 1

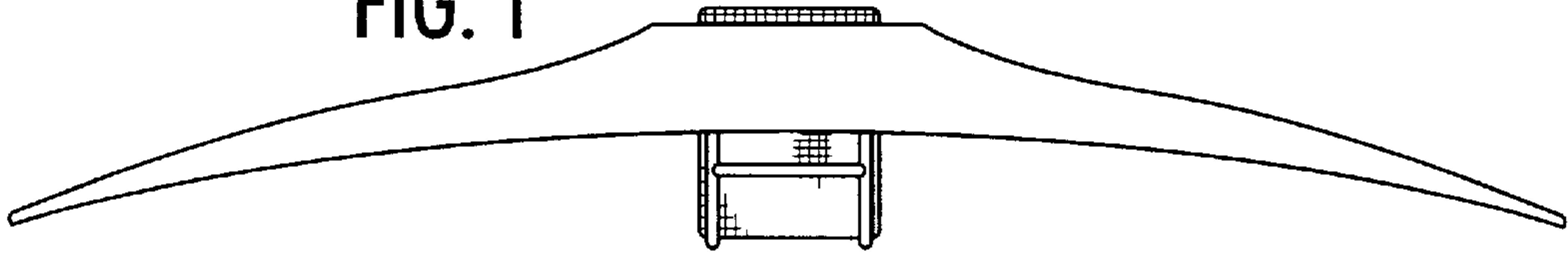


FIG. 2

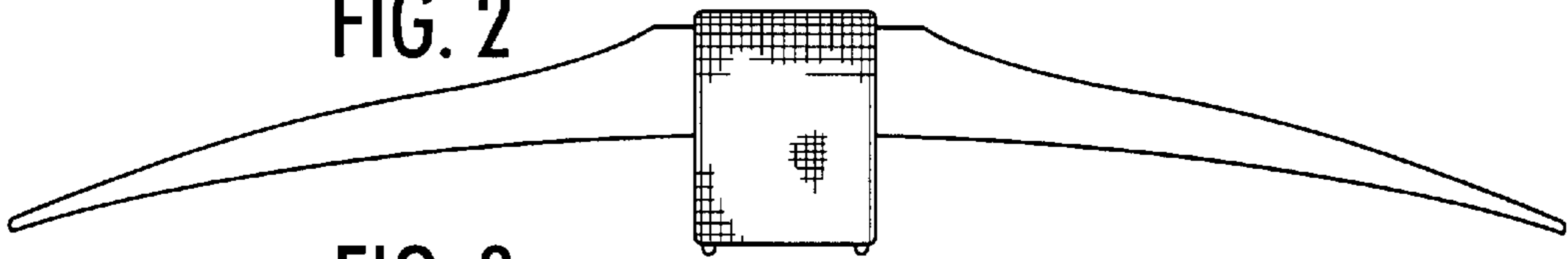


FIG. 3

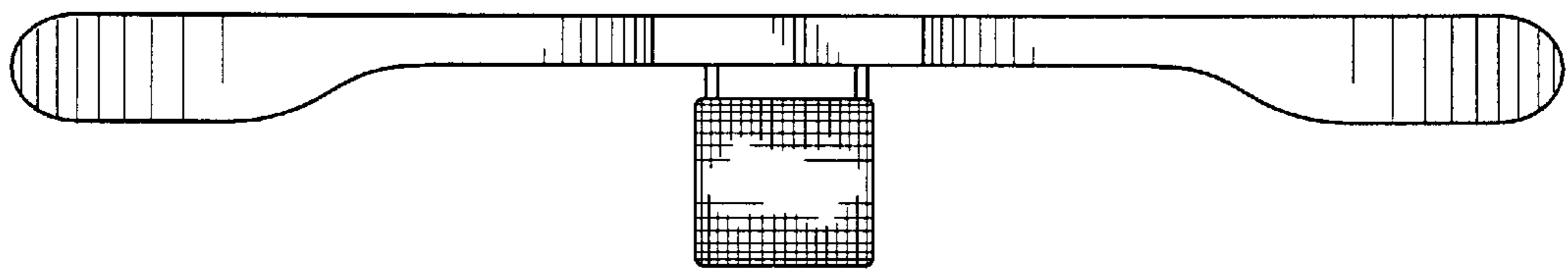


FIG. 4

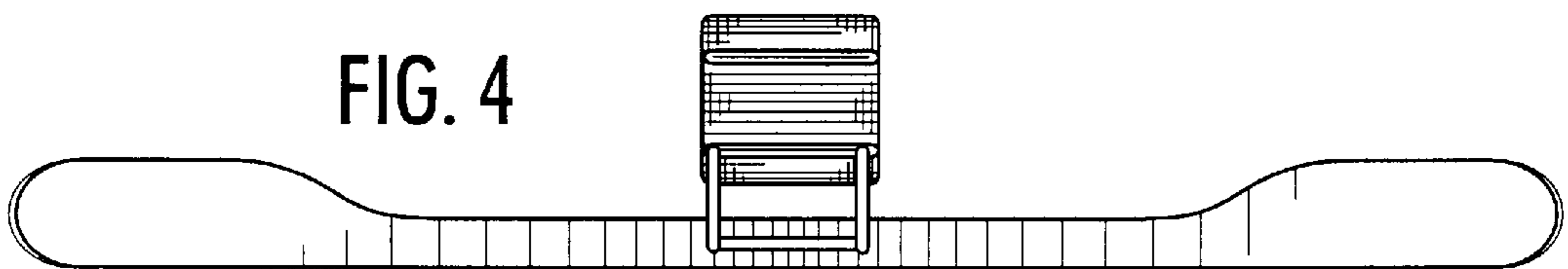


FIG. 5

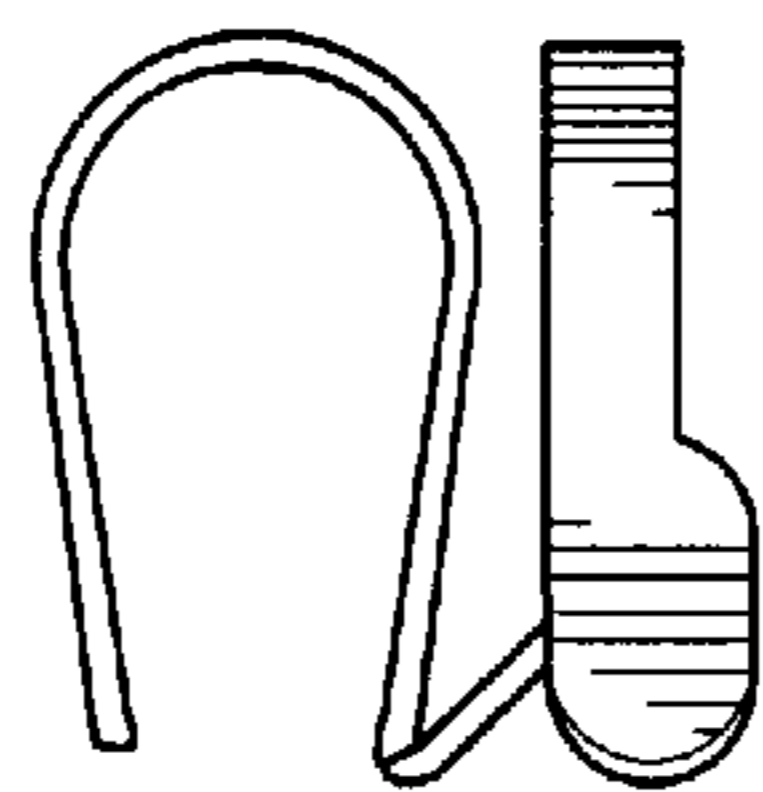
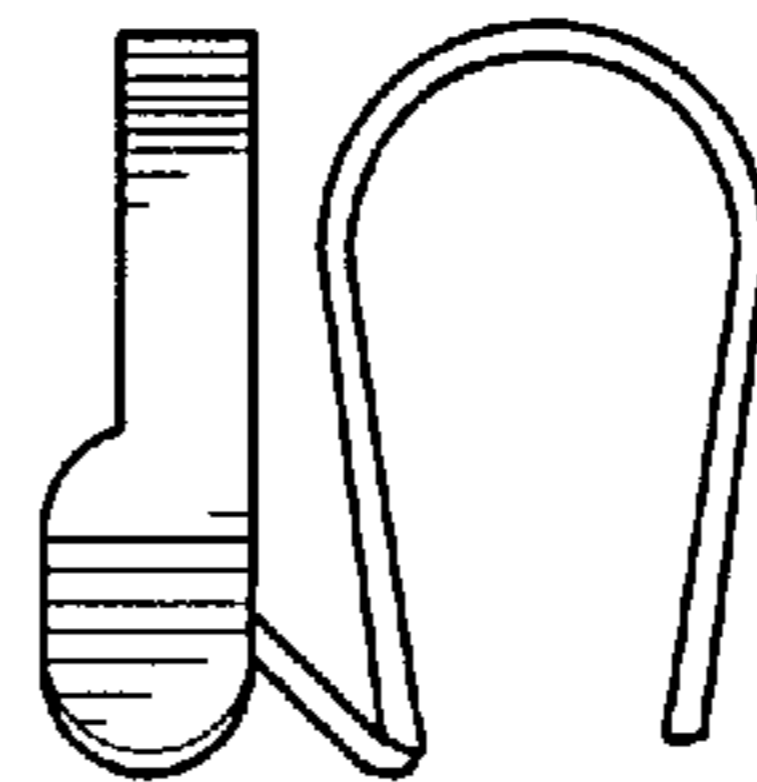


FIG. 6



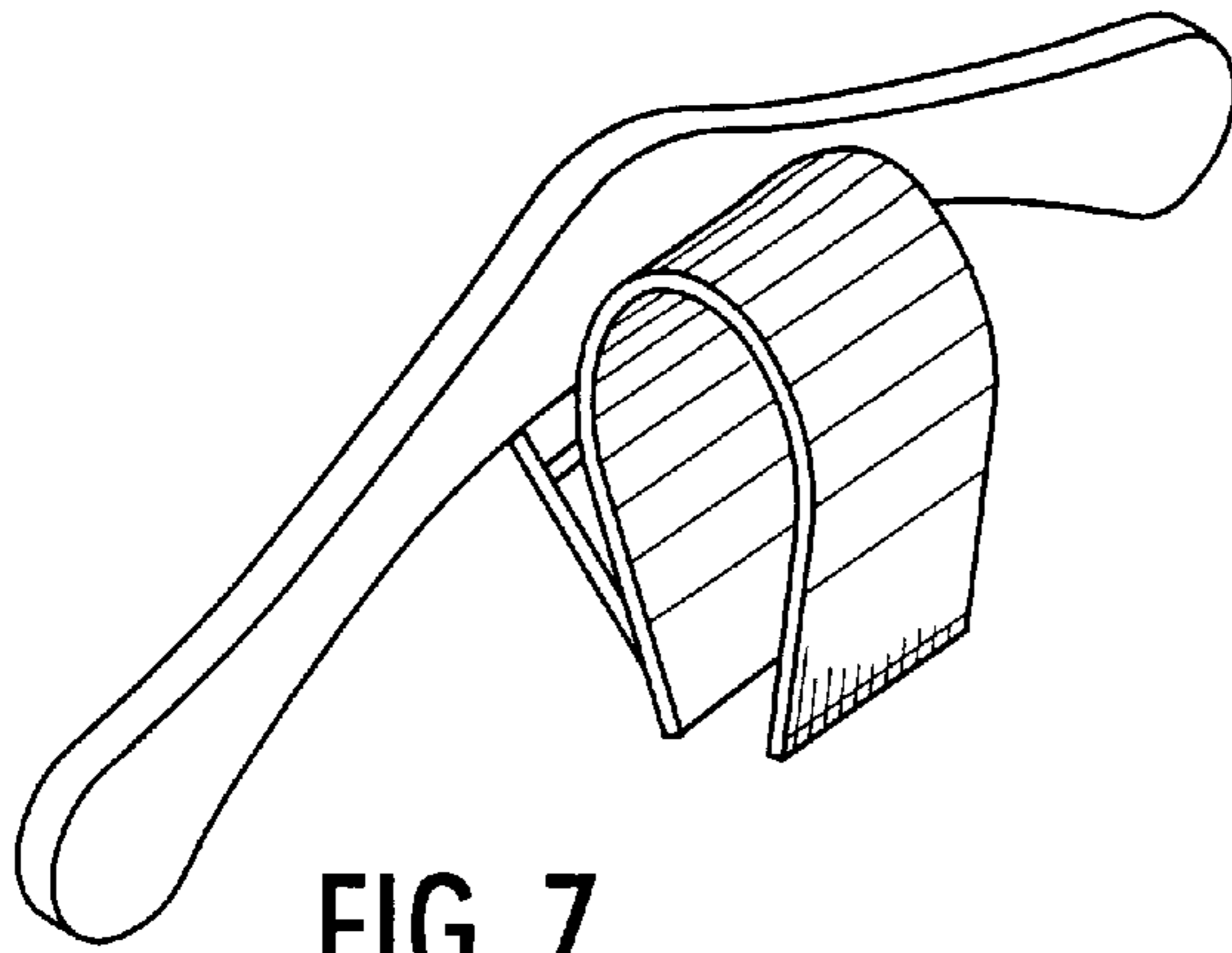


FIG. 7

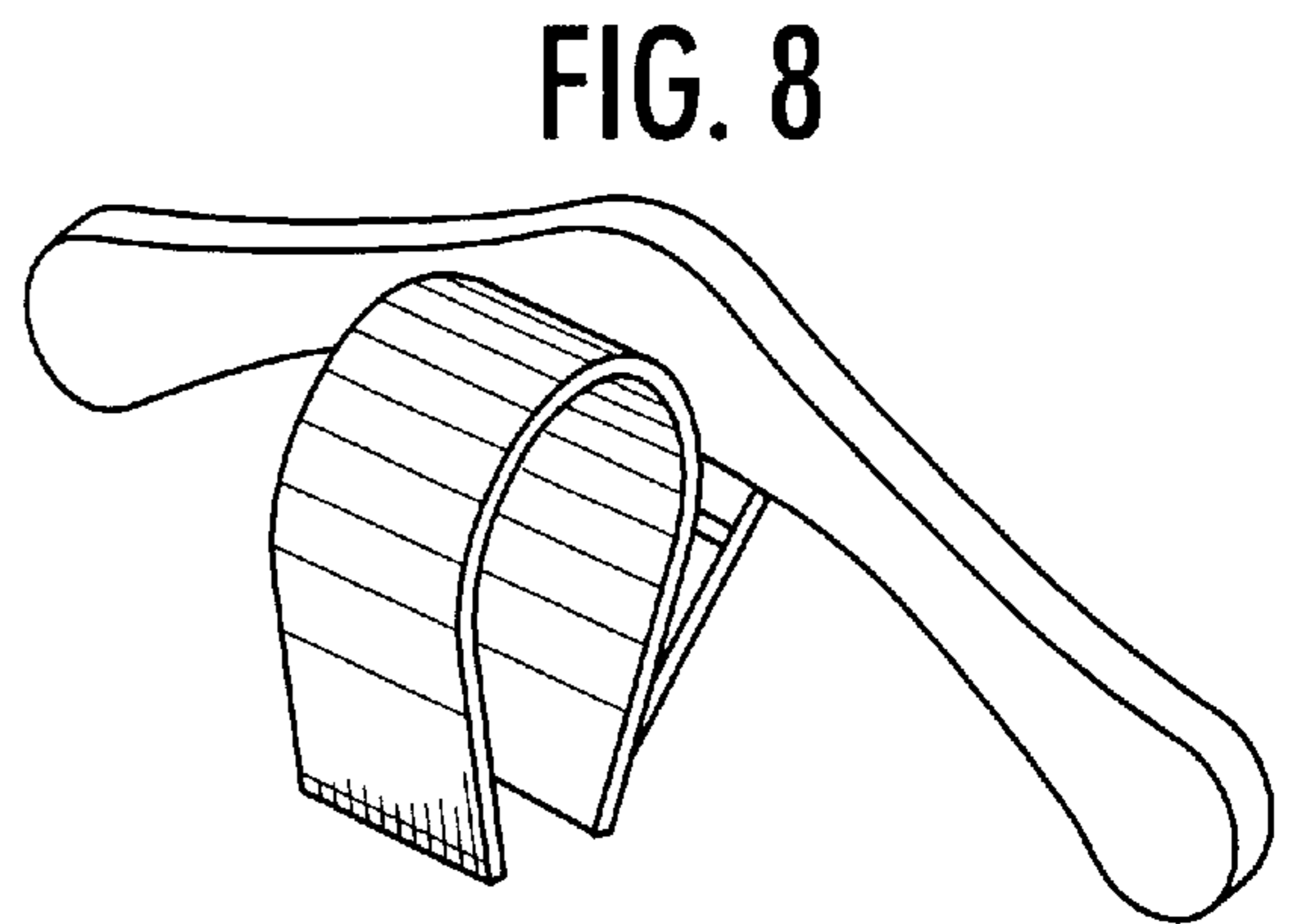


FIG. 8

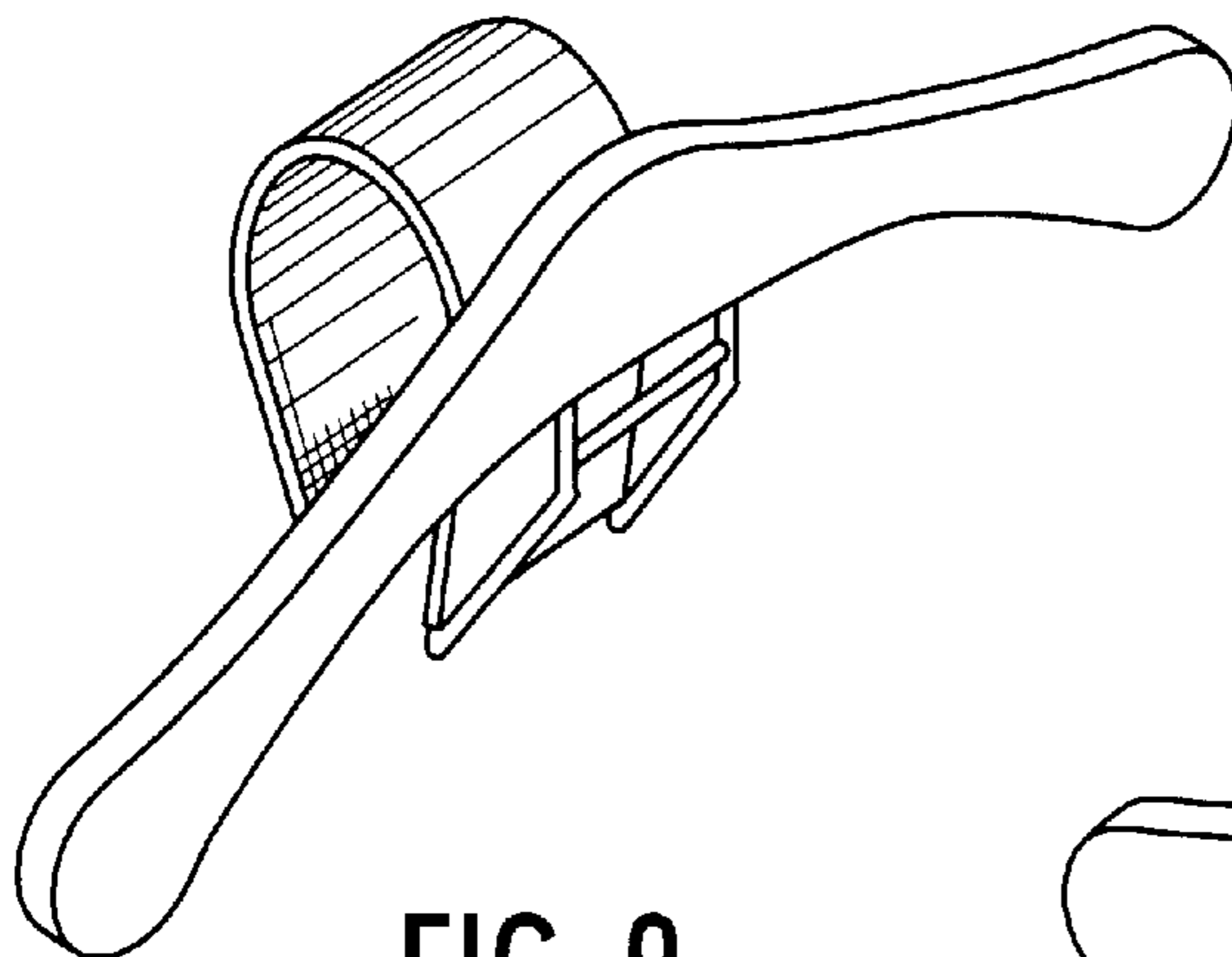


FIG. 9

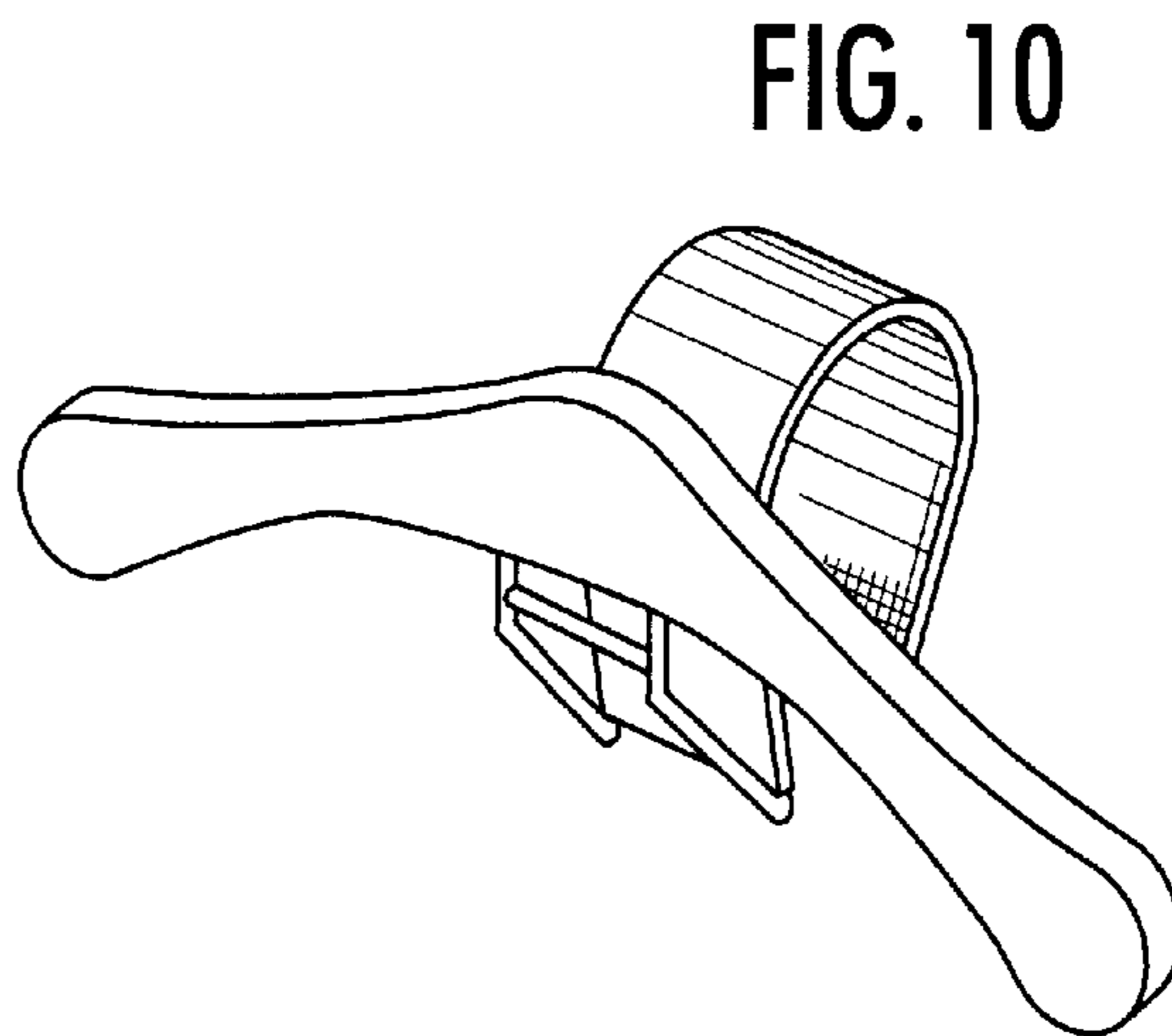


FIG. 10

FIG. 11

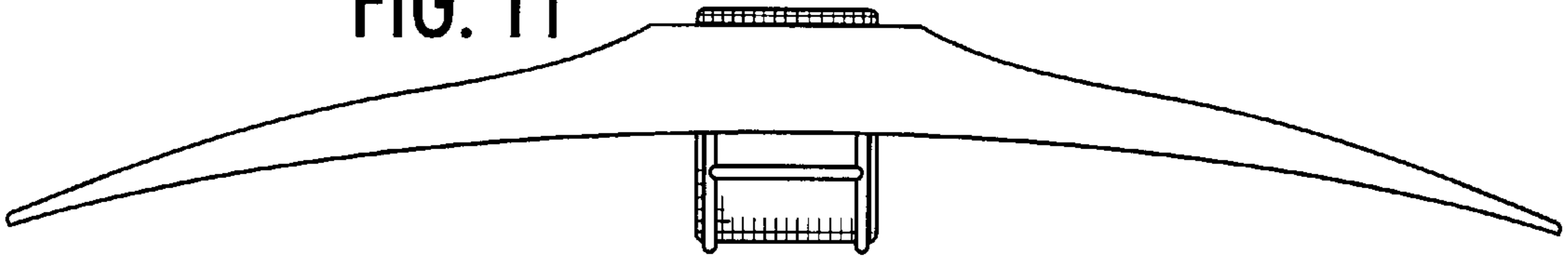


FIG. 12

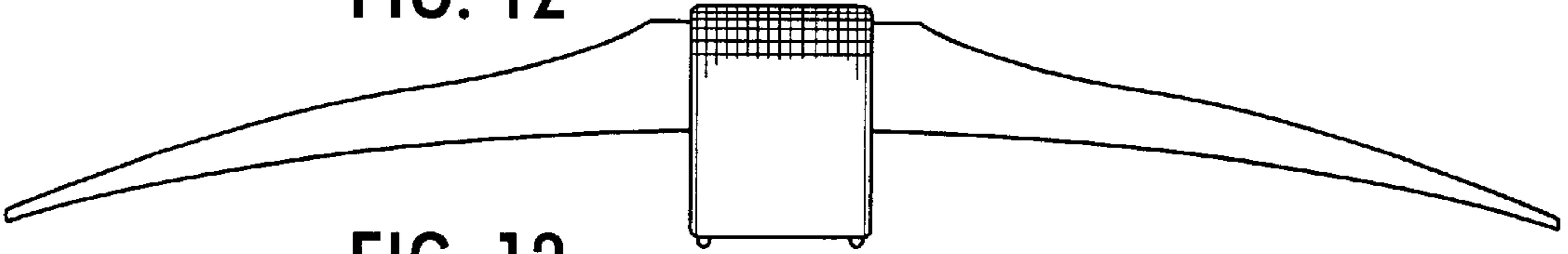


FIG. 13

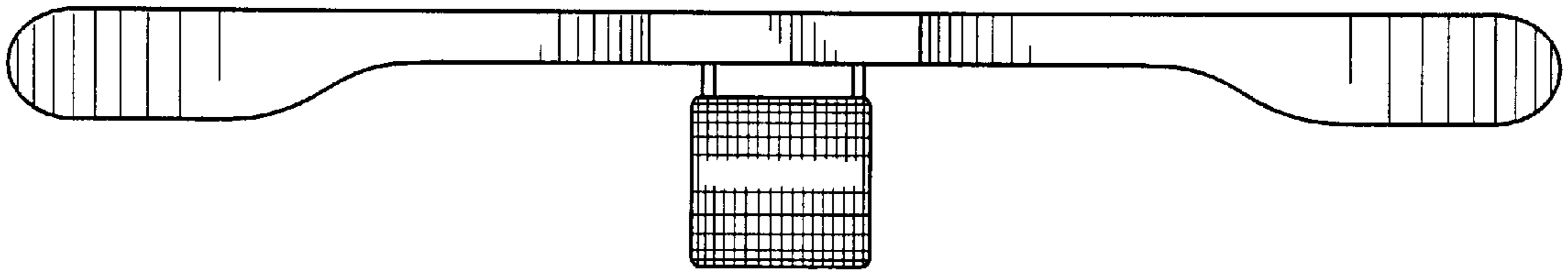


FIG. 14

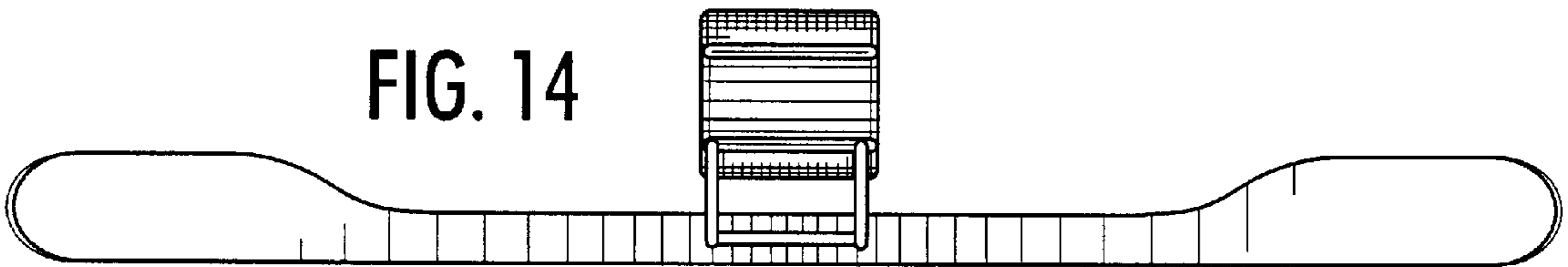


FIG. 15

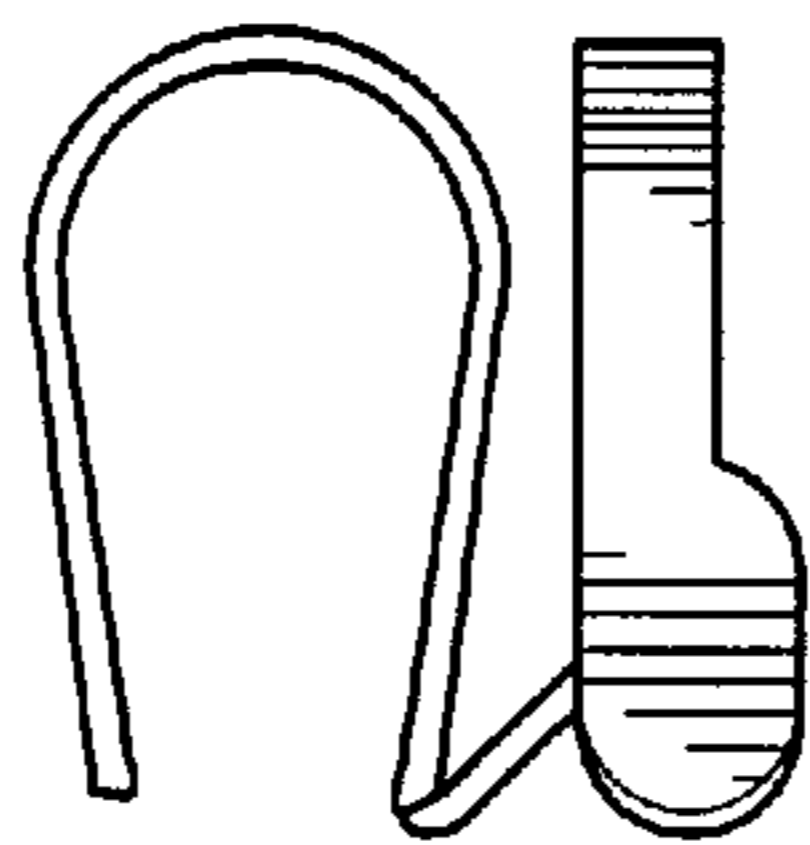
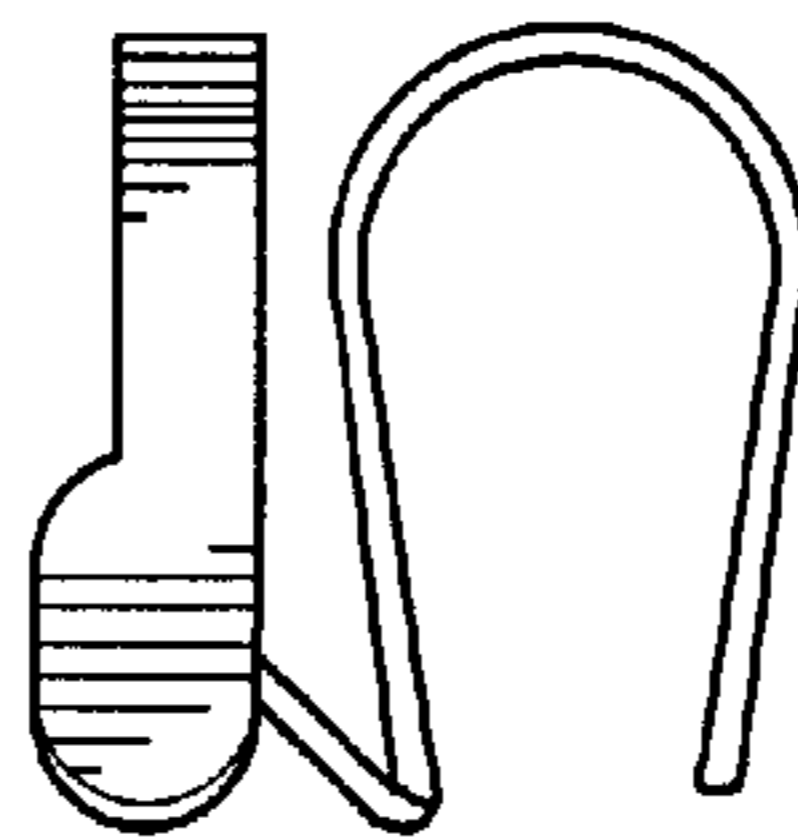


FIG. 16



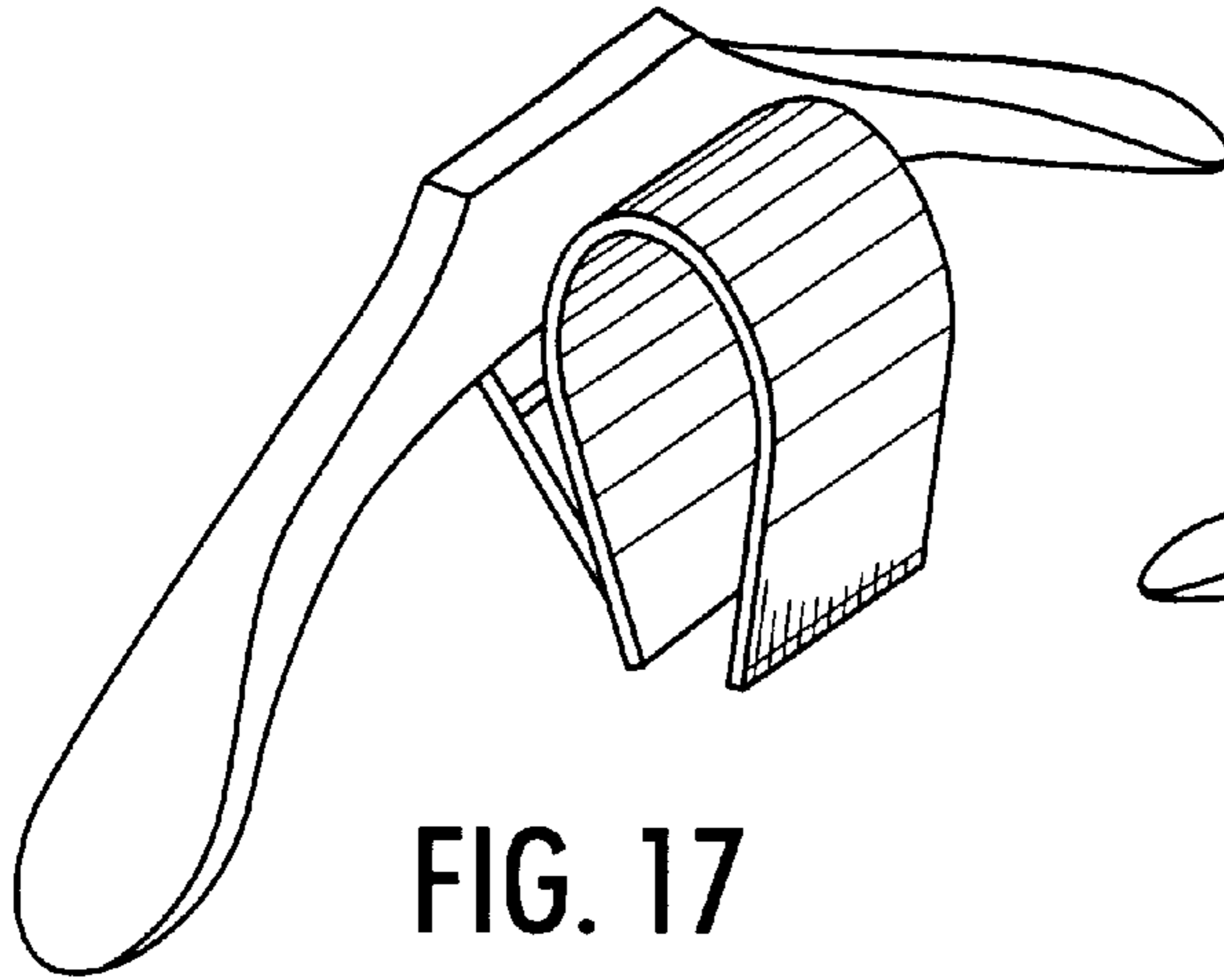


FIG. 17

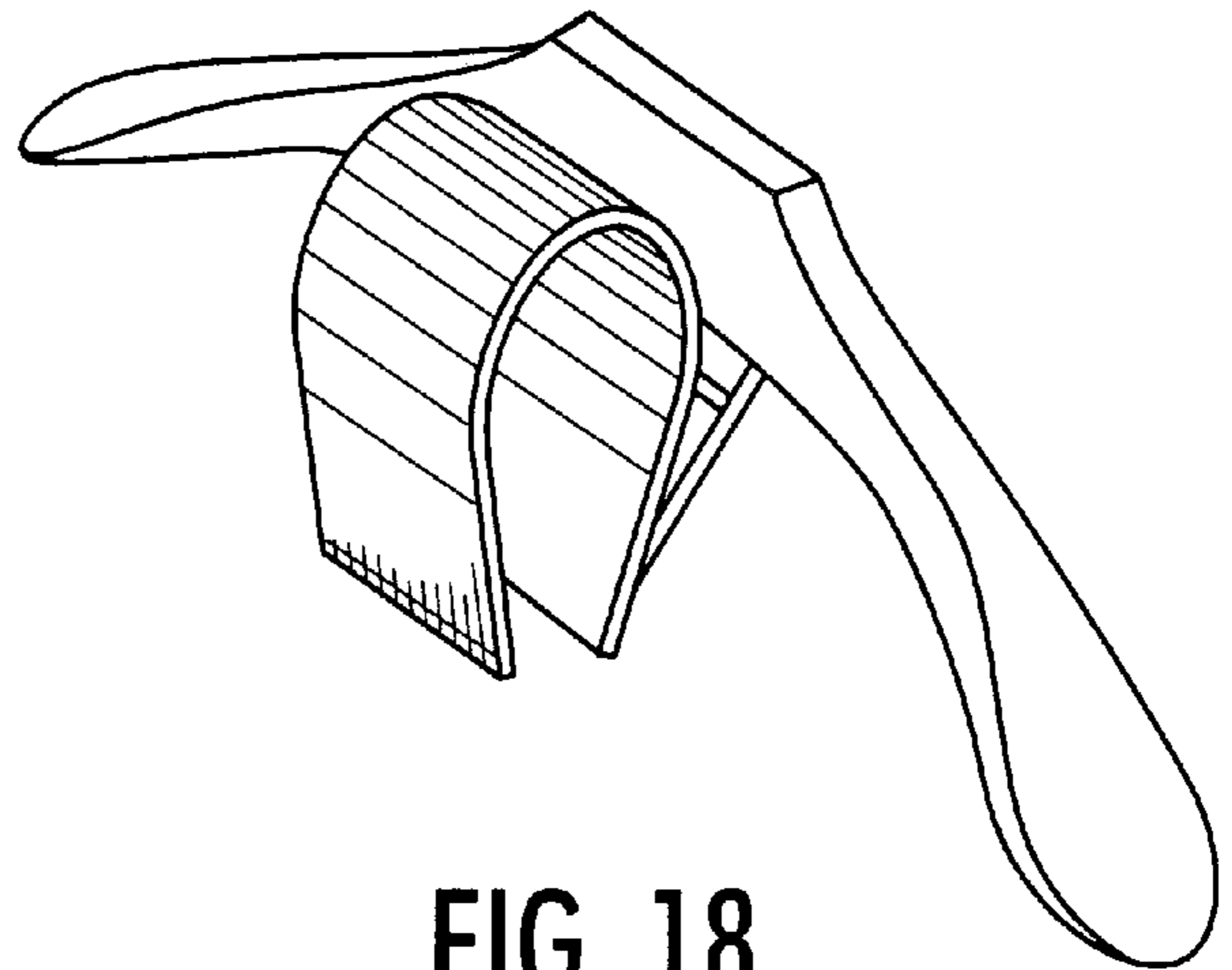


FIG. 18

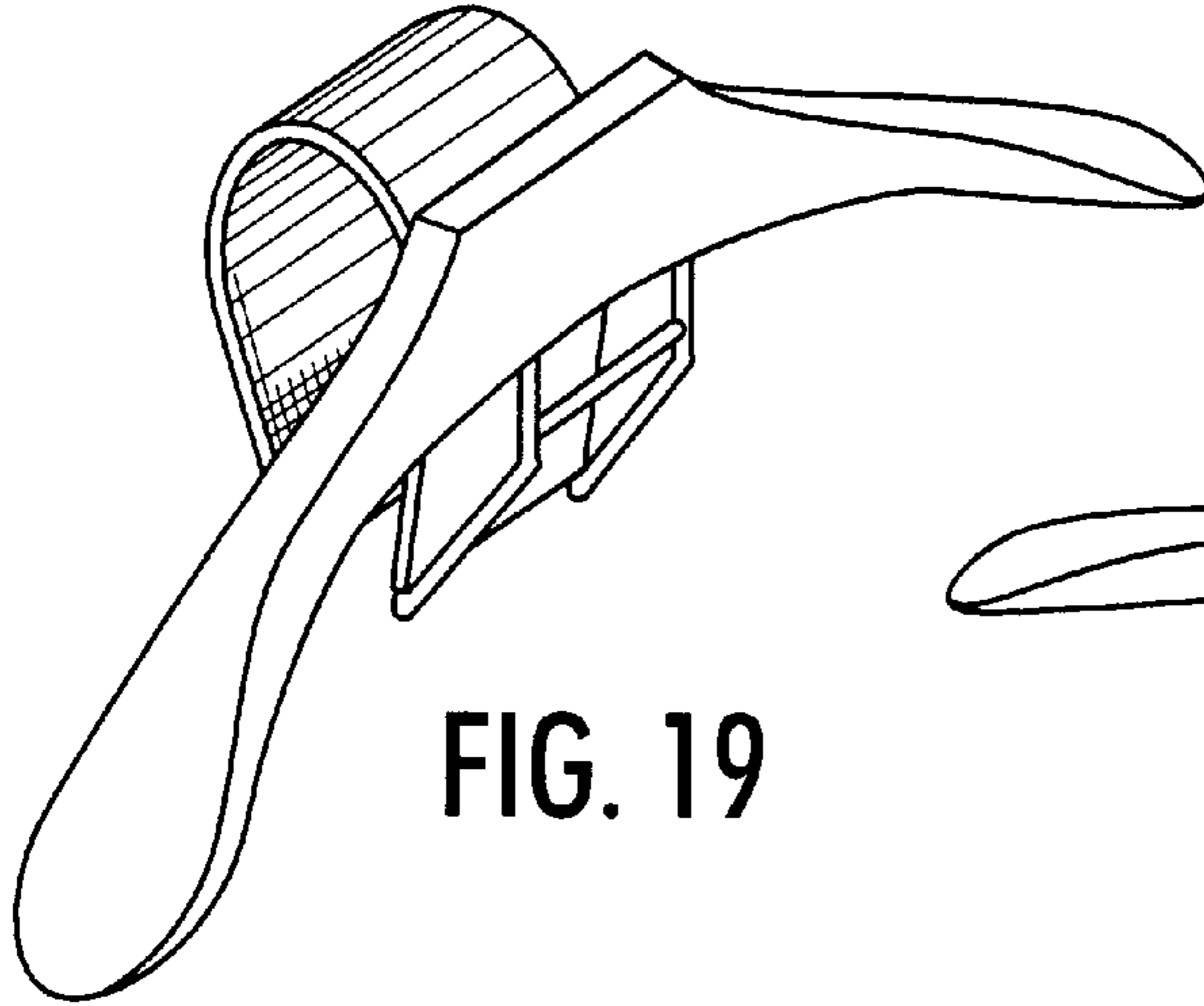


FIG. 19

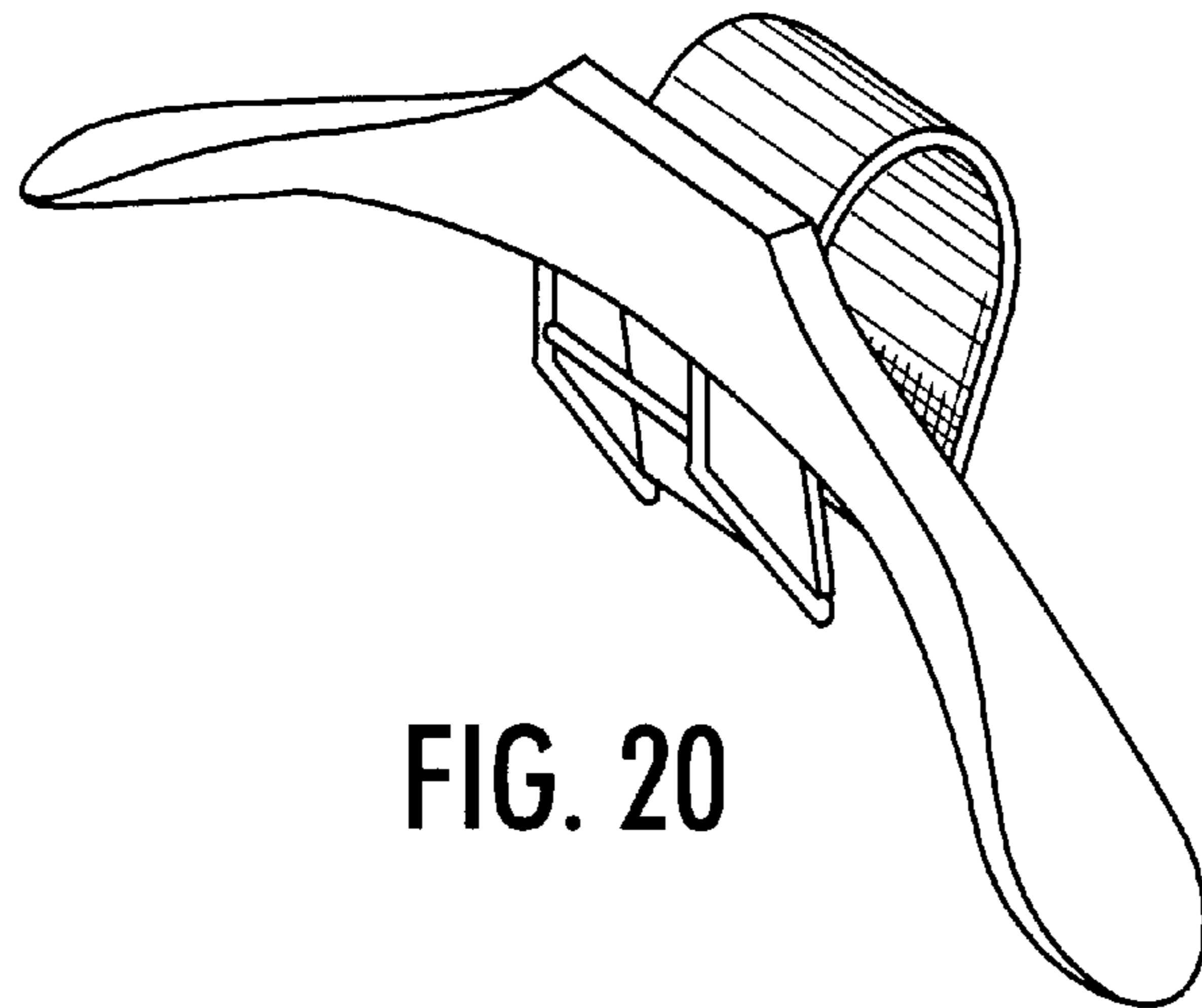


FIG. 20