



US00D423229S

United States Patent [19] Chen

[11] **Patent Number: Des. 423,229**

[45] **Date of Patent: ** Apr. 25, 2000**

[54] **HAIRBRUSH**

D. 182,580 4/1958 Fredrickson 15/160 X
5,632,289 5/1997 Sharp 132/313 X

[76] Inventor: **Kuo-Chin Chen**, 2-1 Fl., No. 18, Alley 47, Lane 208, Jui An St. Ta An District, Taipei, Taiwan

Primary Examiner—Alan P. Douglas
Assistant Examiner—Lavone D. Tabor
Attorney, Agent, or Firm—Pro-Techtor International Services

[**] Term: **14 Years**

[21] Appl. No.: **29/108,109**

[57] **CLAIM**

[22] Filed: **Jul. 20, 1999**

The ornamental design for hairbrush, as shown and described.

[51] **LOC (6) Cl.** **04-02**

[52] **U.S. Cl.** **D4/136**

[58] **Field of Search** D4/130, 136, 138;
D28/28; 15/143.1, 159.1, 160, 186-188;
132/120, 313

DESCRIPTION

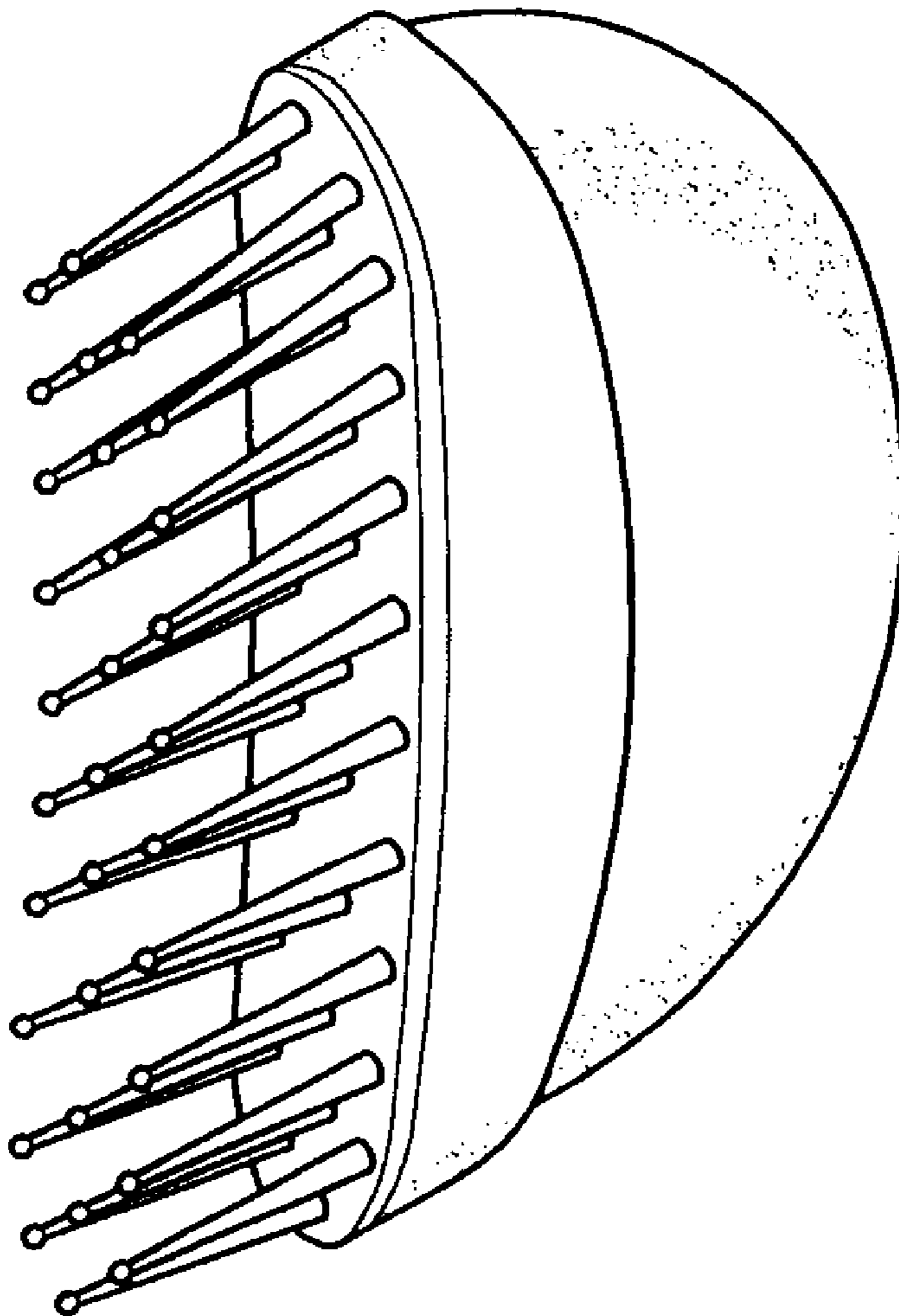
FIG. 1 is a front elevation of hairbrush showing my design; FIG. 2 is a rear elevation thereof; FIG. 3 is a left side elevation thereof; FIG. 4 is a right side elevation thereof; FIG. 5 is a top plan view thereof; FIG. 6 is a bottom plan view thereof; and, FIG. 7 is a perspective view thereof.

[56] **References Cited**

U.S. PATENT DOCUMENTS

D. 40,789 7/1910 Webster D4/130
D. 104,225 4/1937 Scott D4/136

1 Claim, 4 Drawing Sheets



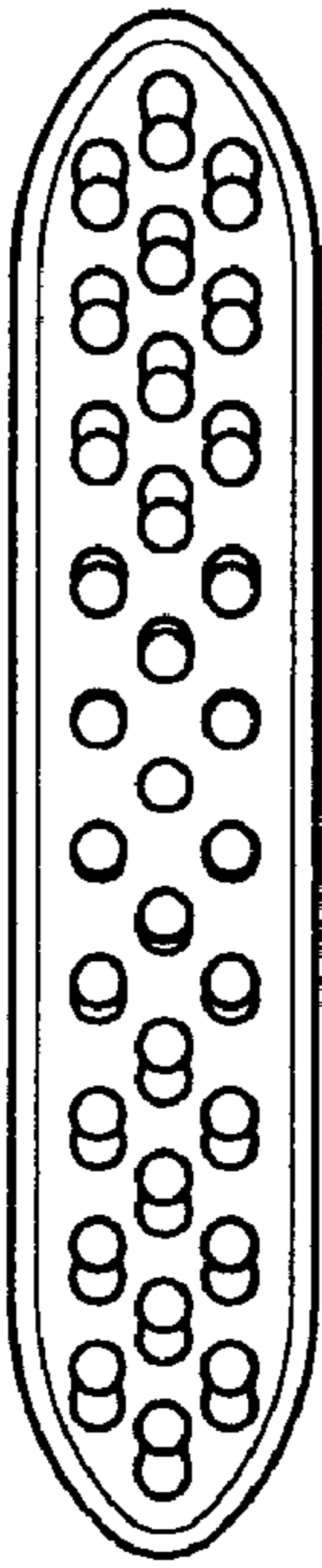


FIG. 1

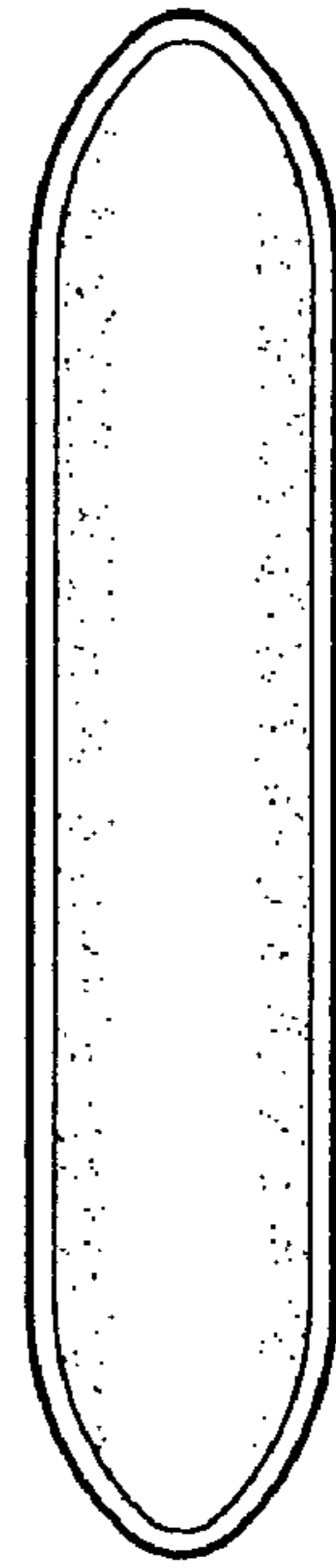


FIG. 2

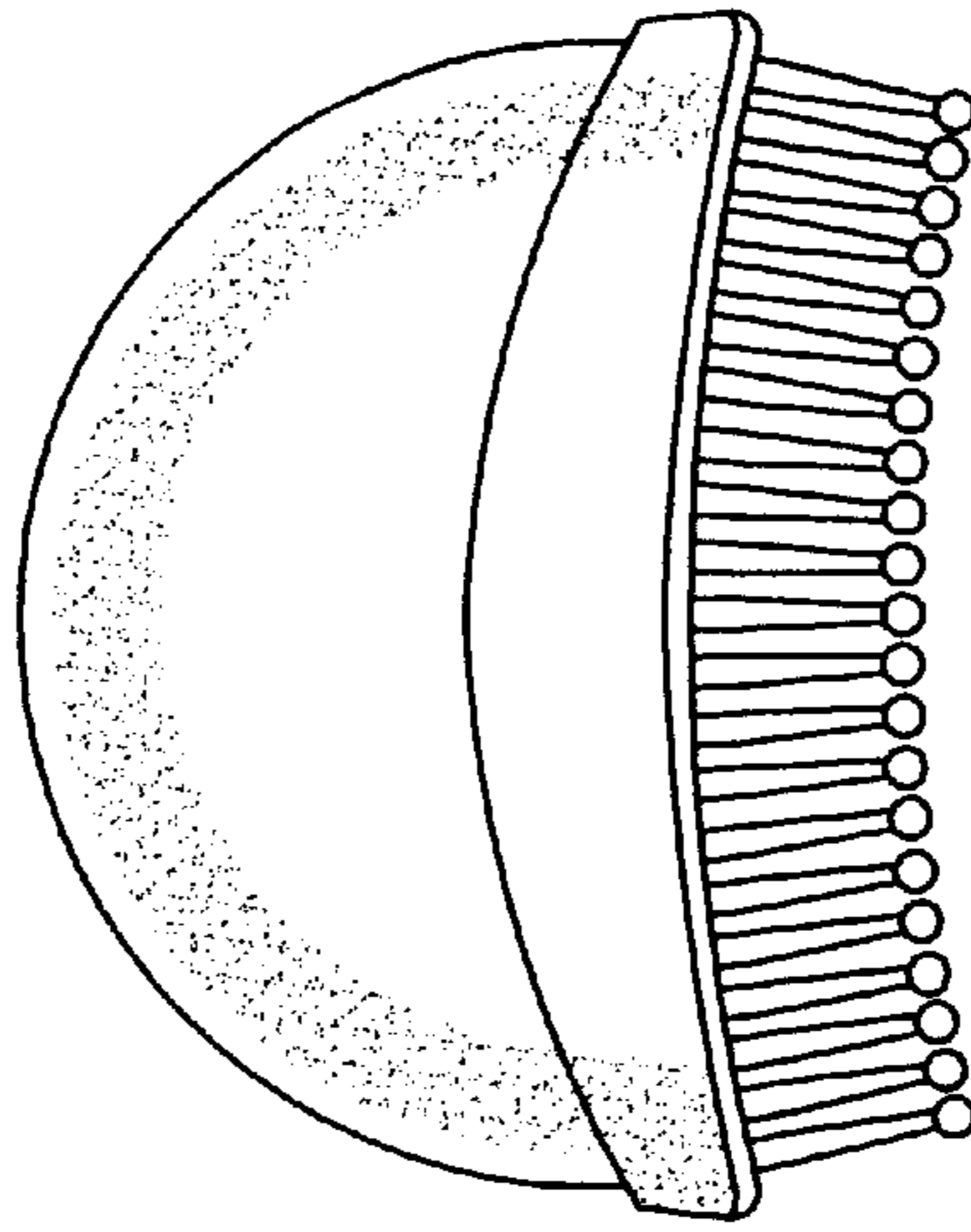


FIG. 3

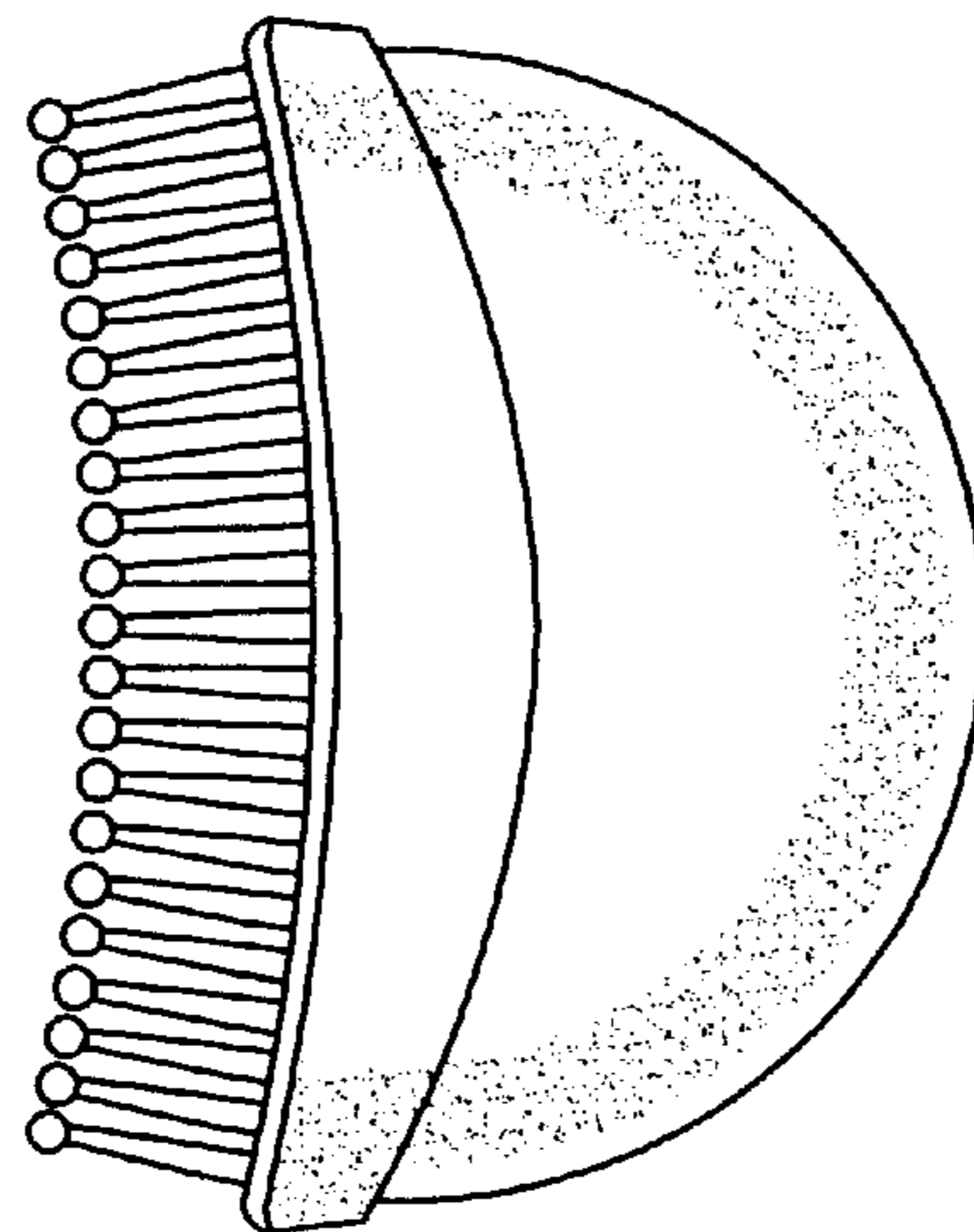


FIG. 4

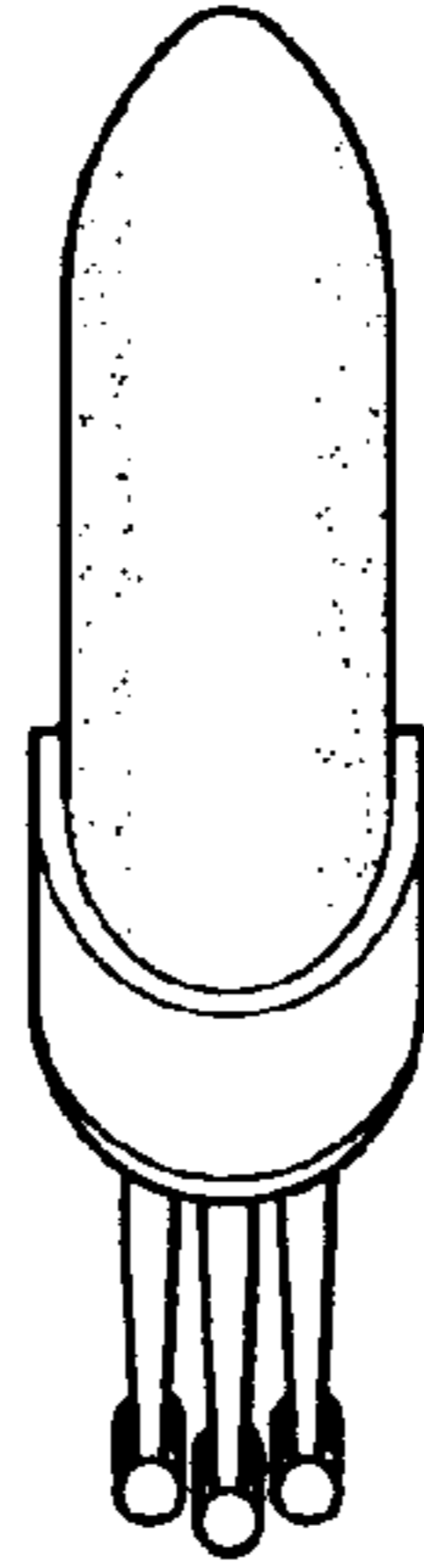


FIG. 5



FIG. 6

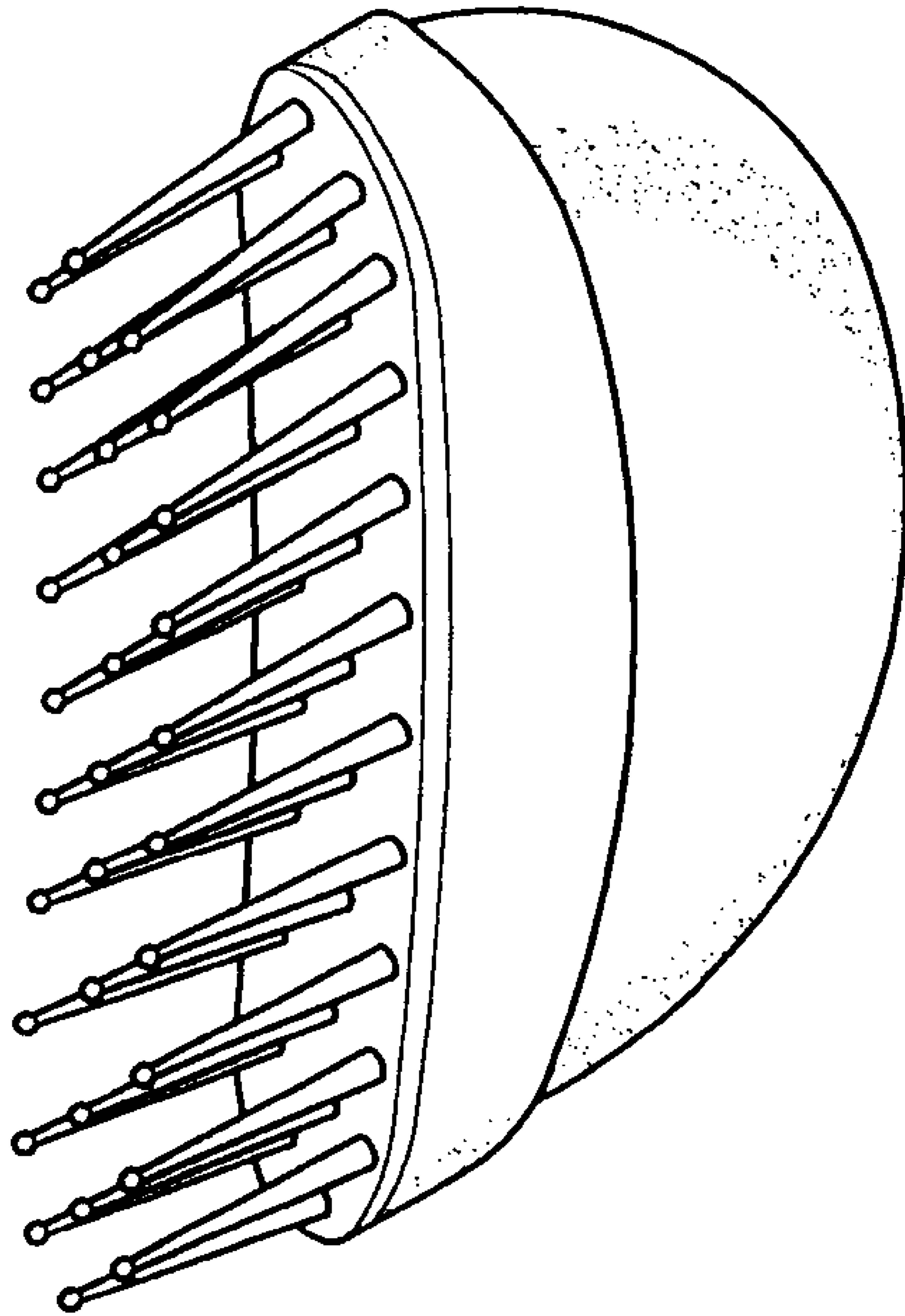


FIG. 7