



US00D423227S

United States Patent [19]

Amante et al.

[11] Patent Number: **Des. 423,227**

[45] Date of Patent: **** Apr. 25, 2000**

[54] **HAIRBRUSH**

D. 366,567 1/1996 Gertsma et al. D4/133 X
4,076,032 2/1978 Misercola 15/160 X

[76] Inventors: **Jacqueline Amante**, 2608 Parkview Pl.;
Kimberly Aurelio, 839 Lincoln Ave.,
both of Baldwin, N.Y. 11510

Primary Examiner—Allan P. Douglas
Assistant Examiner—Lavone D. Tabor
Attorney, Agent, or Firm—Collard & Roe, PC

[**] Term: **14 Years**

[57] CLAIM

[21] Appl. No.: **29/108,293**

The ornamental design for a hairbrush, as shown and described.

[22] Filed: **Jul. 23, 1999**

[51] **LOC (6) Cl.** **04-02**

[52] **U.S. Cl.** **D4/133**

[58] **Field of Search** D4/128, 130, 133,
D4/138; 15/143.1, 159.1, 160, 186, 187,
191.1, 192, 193; 132/120, 271, 313

DESCRIPTION

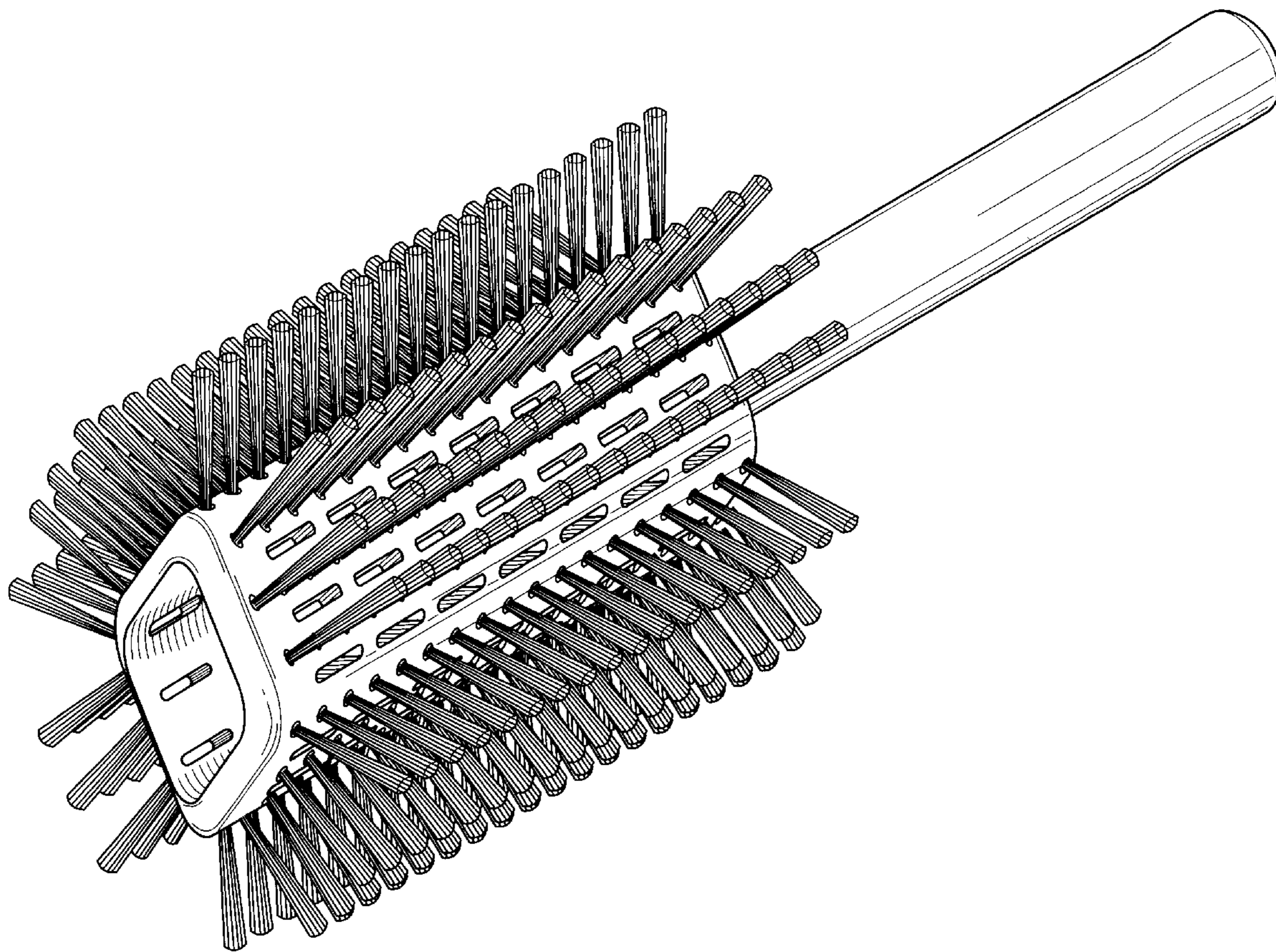
[56] References Cited

U.S. PATENT DOCUMENTS

D. 152,203 12/1948 Mayer D4/133
D. 251,517 4/1979 Baudon D4/128

FIG. 1 shows a perspective view of our design for a hairbrush;
FIG. 2 shows a side view thereof, with the opposite side being identical;
FIG. 3 shows a side view thereof rotated 90°, with the opposite side being identical;
FIG. 4 shows a front end view thereof; and,
FIG. 5 shows a rear view thereof.

1 Claim, 3 Drawing Sheets



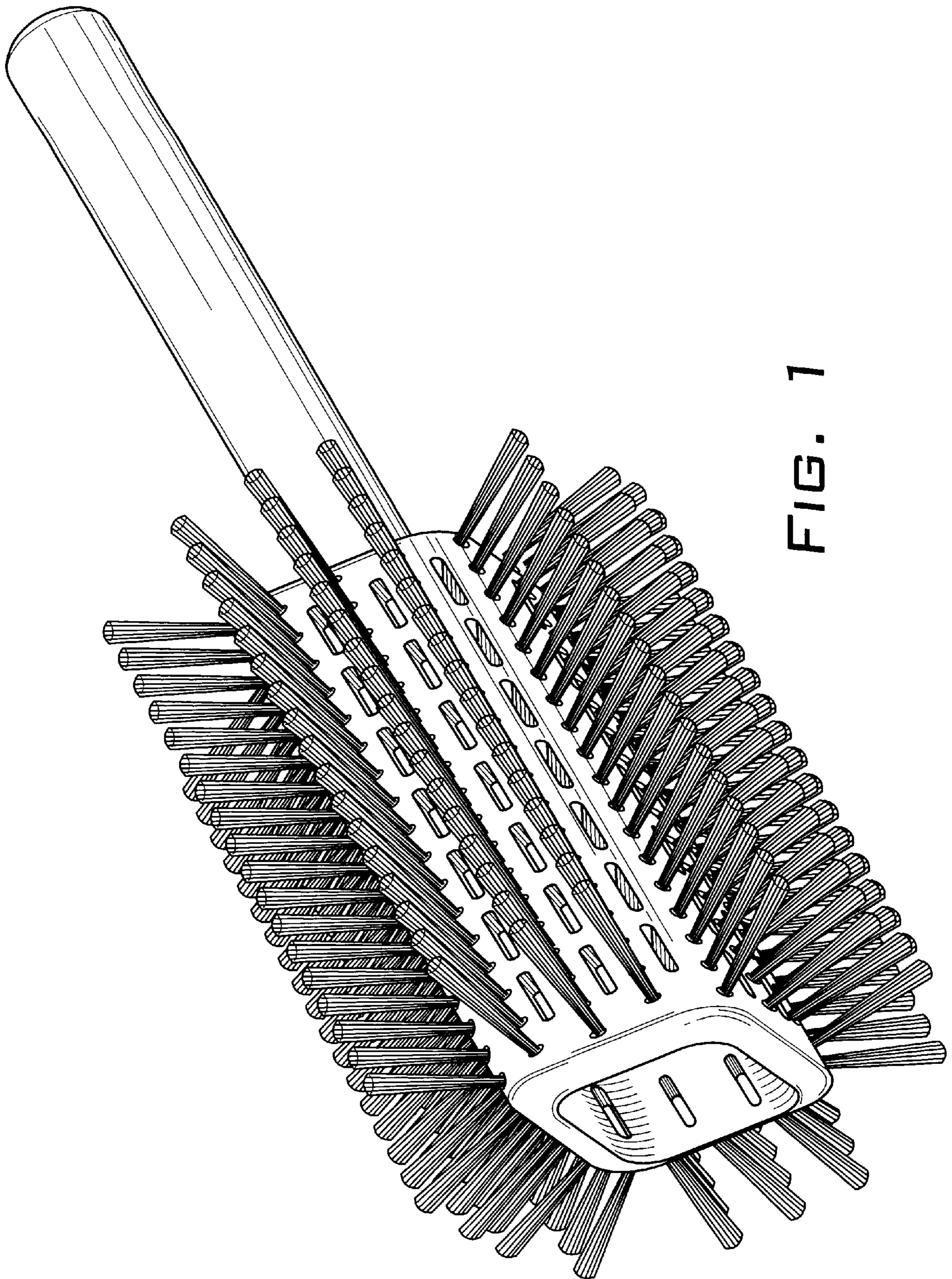


FIG. 1

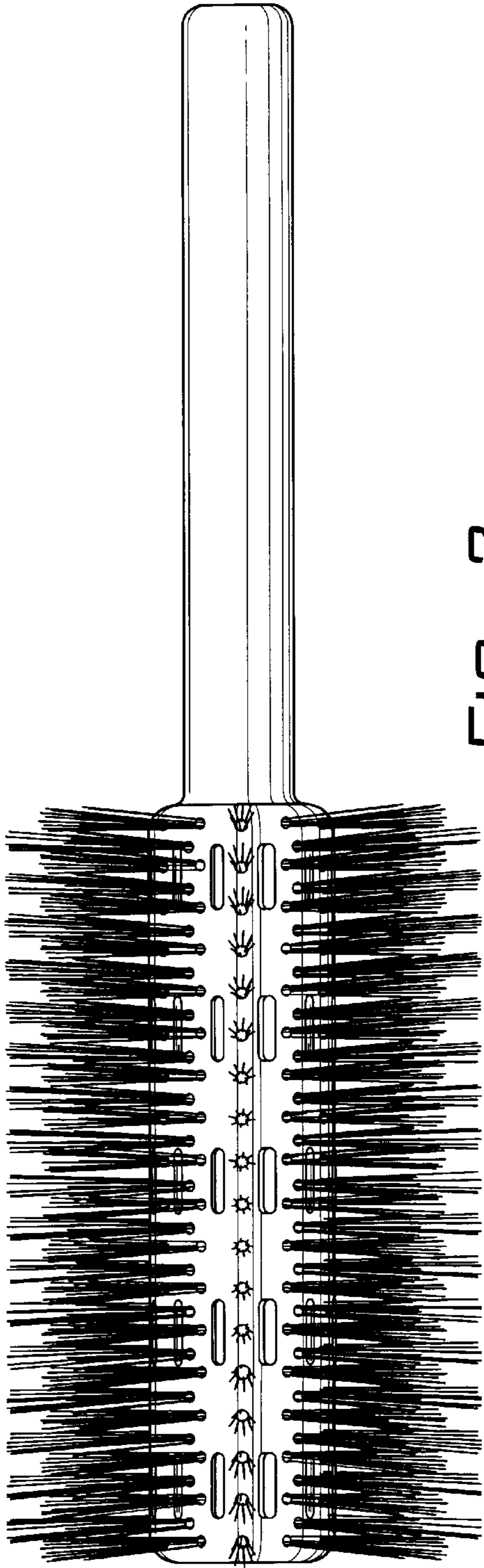


FIG. 2

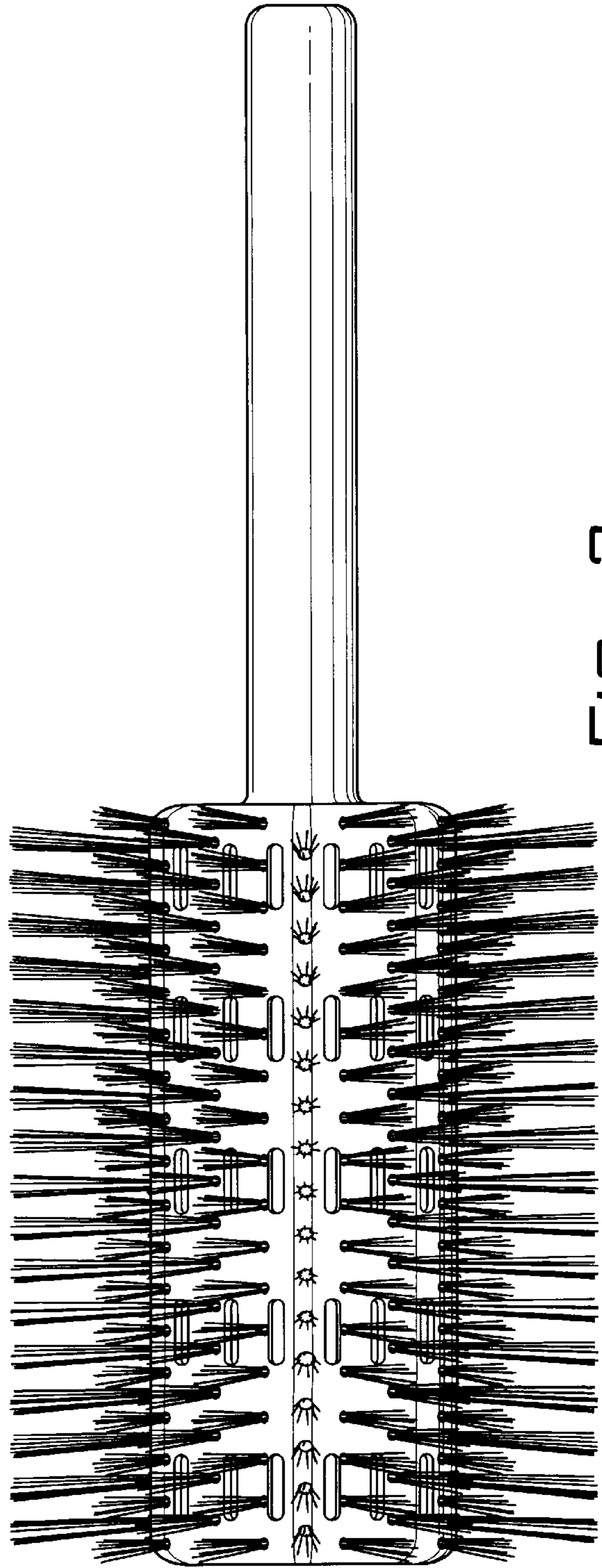


FIG. 3

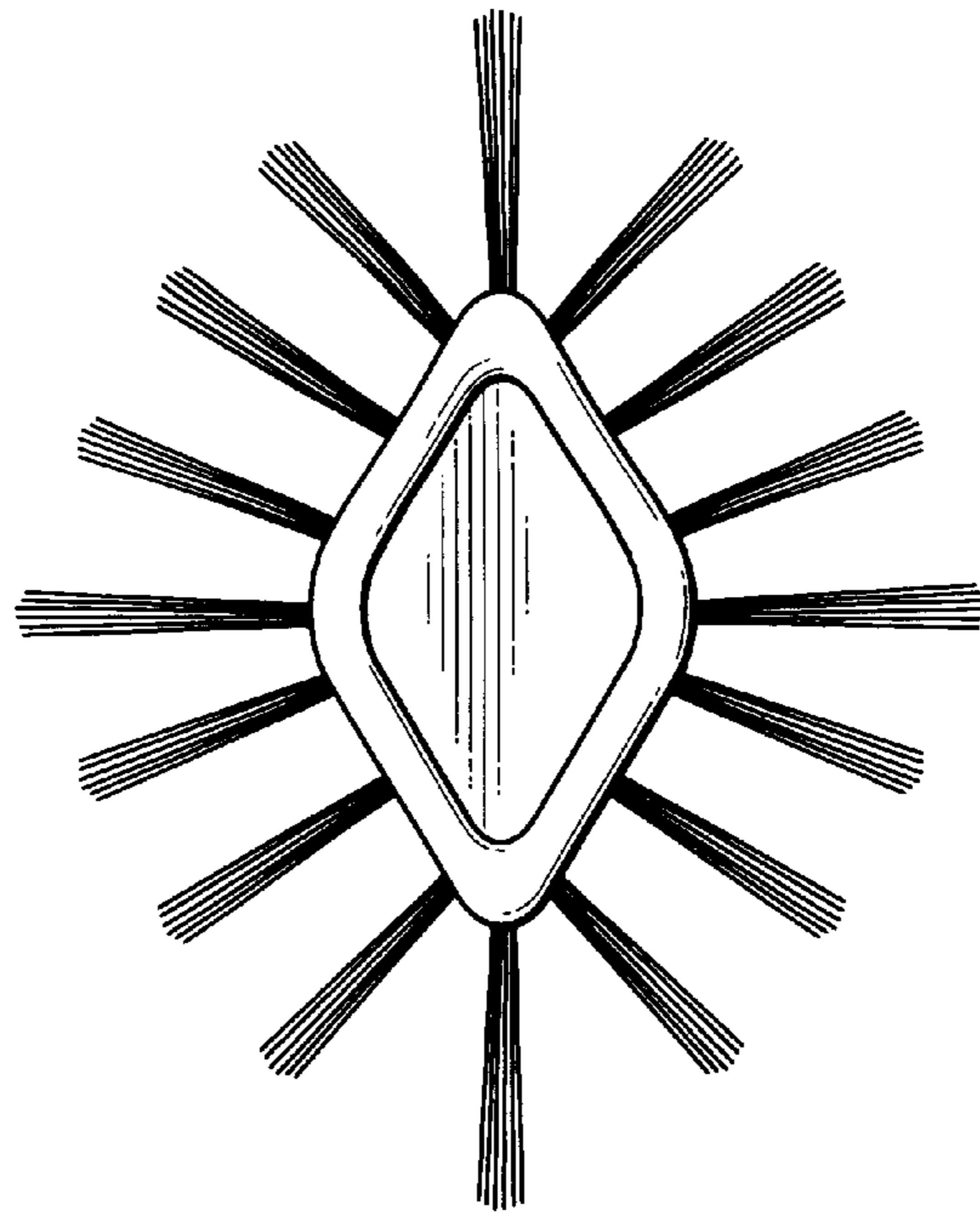


FIG. 4

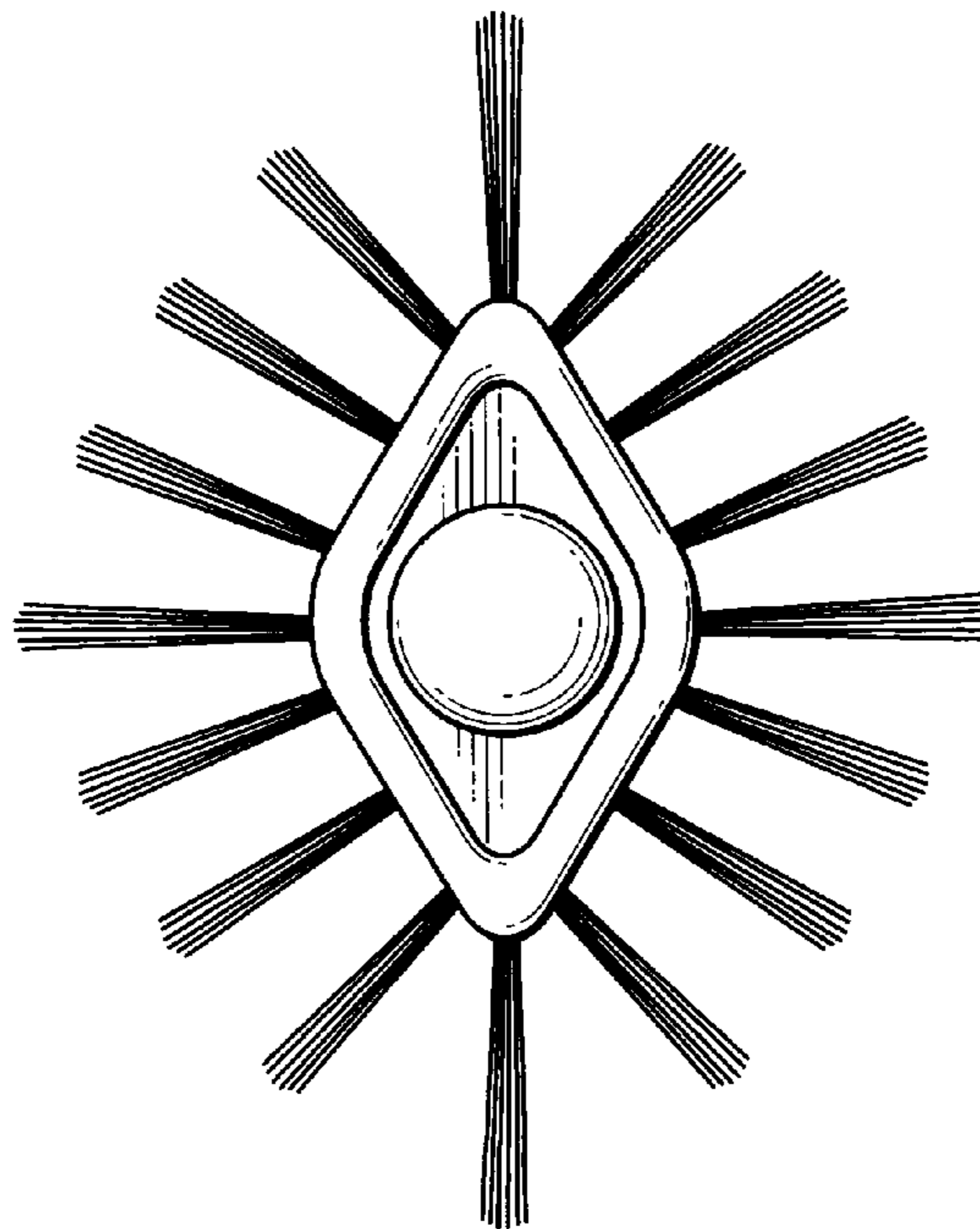


FIG. 5