



US00D423223S

United States Patent [19] Conway

[11] **Patent Number: Des. 423,223**

[45] **Date of Patent: ** Apr. 25, 2000**

[54] **BAND OF A CASE FOR SPECTACLES OR OTHER ARTICLES**

3,713,412	1/1973	Ianuzzi	220/4.25
4,171,743	10/1979	Mascia et al.	206/527
5,358,100	10/1994	Wolff	206/823
5,878,873	3/1999	Clark	206/6

[75] Inventor: **Gary Roy Conway**, Cobham, United Kingdom

Primary Examiner—Louis S. Zarfes
Assistant Examiner—Robert A. Delehanty
Attorney, Agent, or Firm—Cobrin & Gittes

[73] Assignee: **Optoplast plc**, Surrey, United Kingdom

[**] Term: **14 Years**

[57] **CLAIM**

[21] Appl. No.: **29/099,761**

The ornamental design for a band of a case for spectacles or other articles, as shown and described.

[22] Filed: **Jan. 28, 1999**

DESCRIPTION

[30] **Foreign Application Priority Data**

Jul. 29, 1998 [GB] United Kingdom 2076433

FIG. 1 is a front perspective view from above and one side of the band of a case for spectacles or other articles in accordance with my new design in a closed position; FIG. 2 is a front view thereof; FIG. 3 is a rear view thereof; FIG. 4 is a plan view thereof; FIG. 5 is a bottom view thereof; FIG. 6 is a side view thereof; and, FIG. 7 is a front perspective view from above and one side of a band of case for a spectacles or other articles in an open position. That which is depicted by broken lines in the drawing forms no part of the claimed invention.

[51] **LOC (6) Cl.** **03-99**

[52] **U.S. Cl.** **D3/323; D3/321**

[58] **Field of Search** D3/201, 205, 219, D3/263, 266, 321-325; D9/435, 443; D16/130, 136; D28/73, 78, 82; 206/5, 5.1, 6, 527, 316.1, 823; 220/4.25

[56] **References Cited**

U.S. PATENT DOCUMENTS

D. 75,502	6/1928	Kasdan et al.	D28/82
D. 348,984	7/1994	Gilbert et al.	D3/205
D. 355,072	2/1995	Tiramani	D3/293

1 Claim, 3 Drawing Sheets

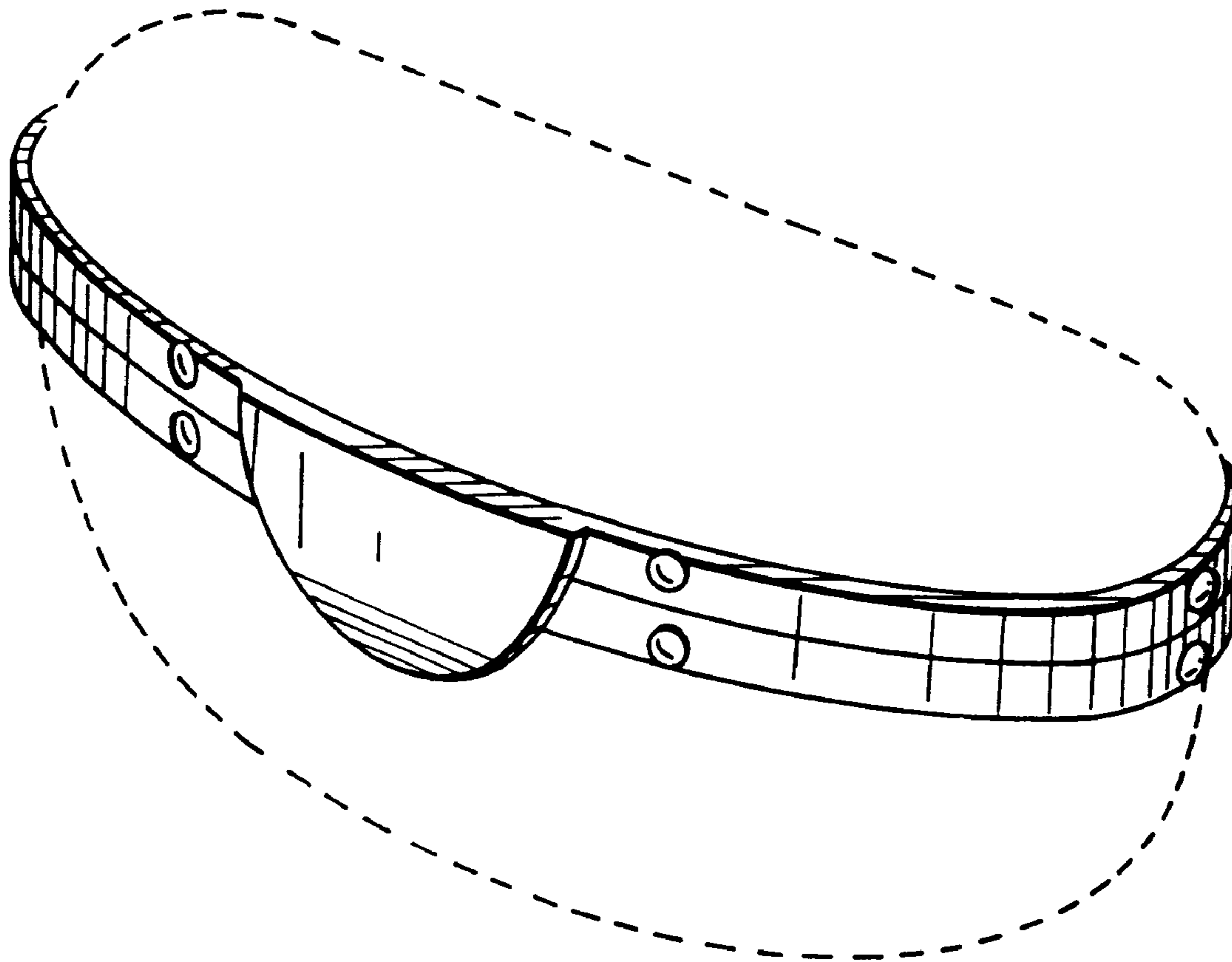


FIG. 1

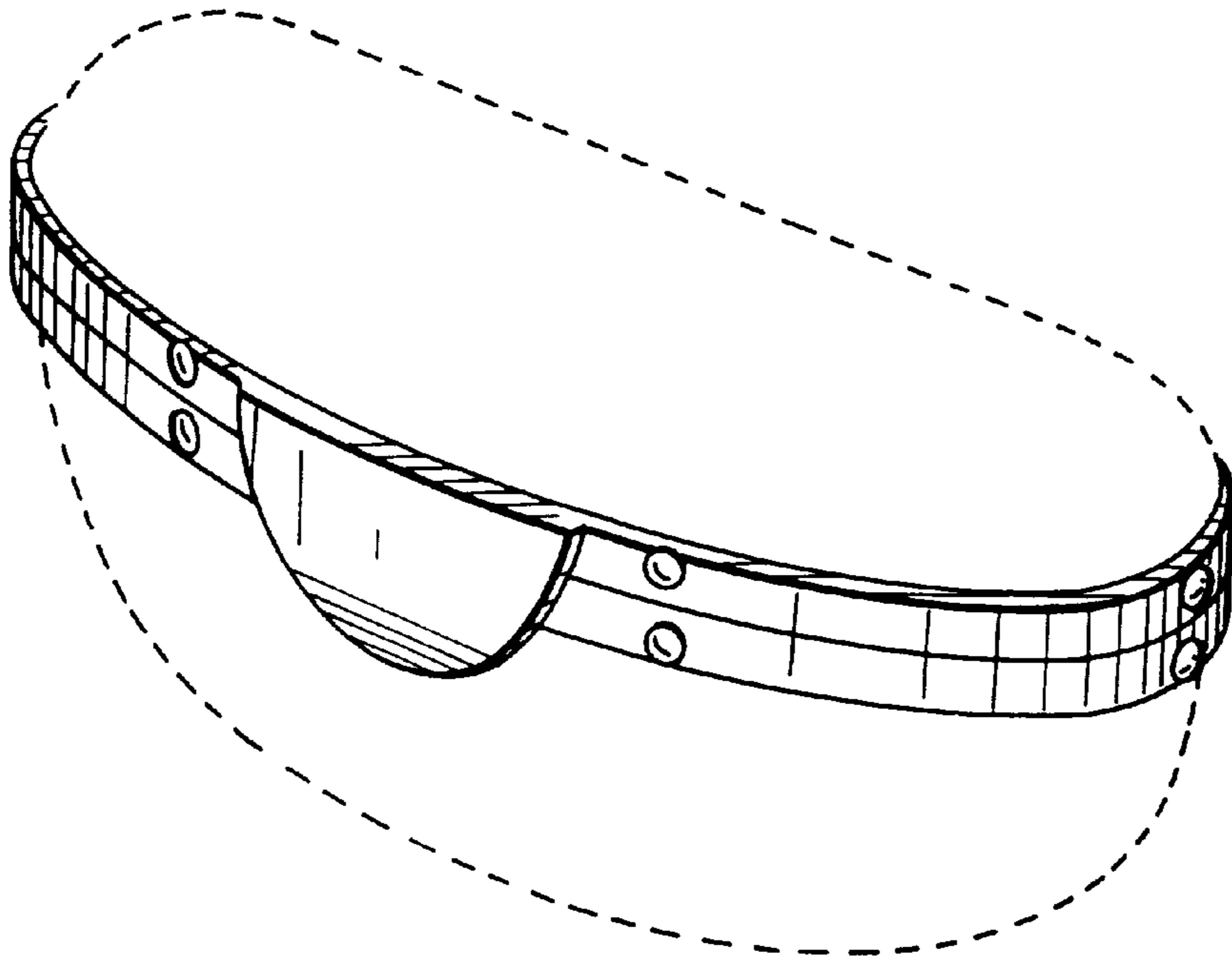


FIG. 2

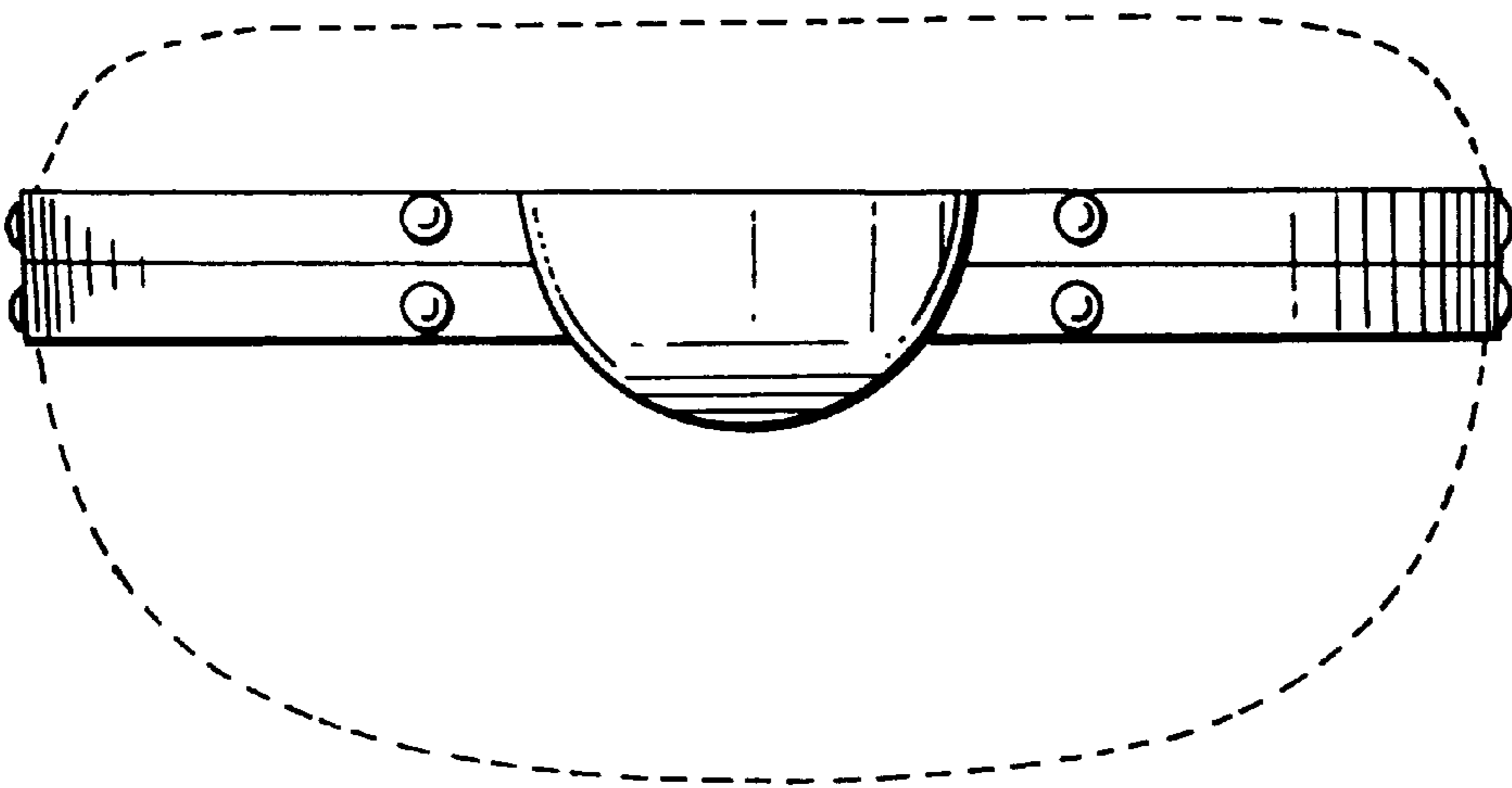


FIG. 3

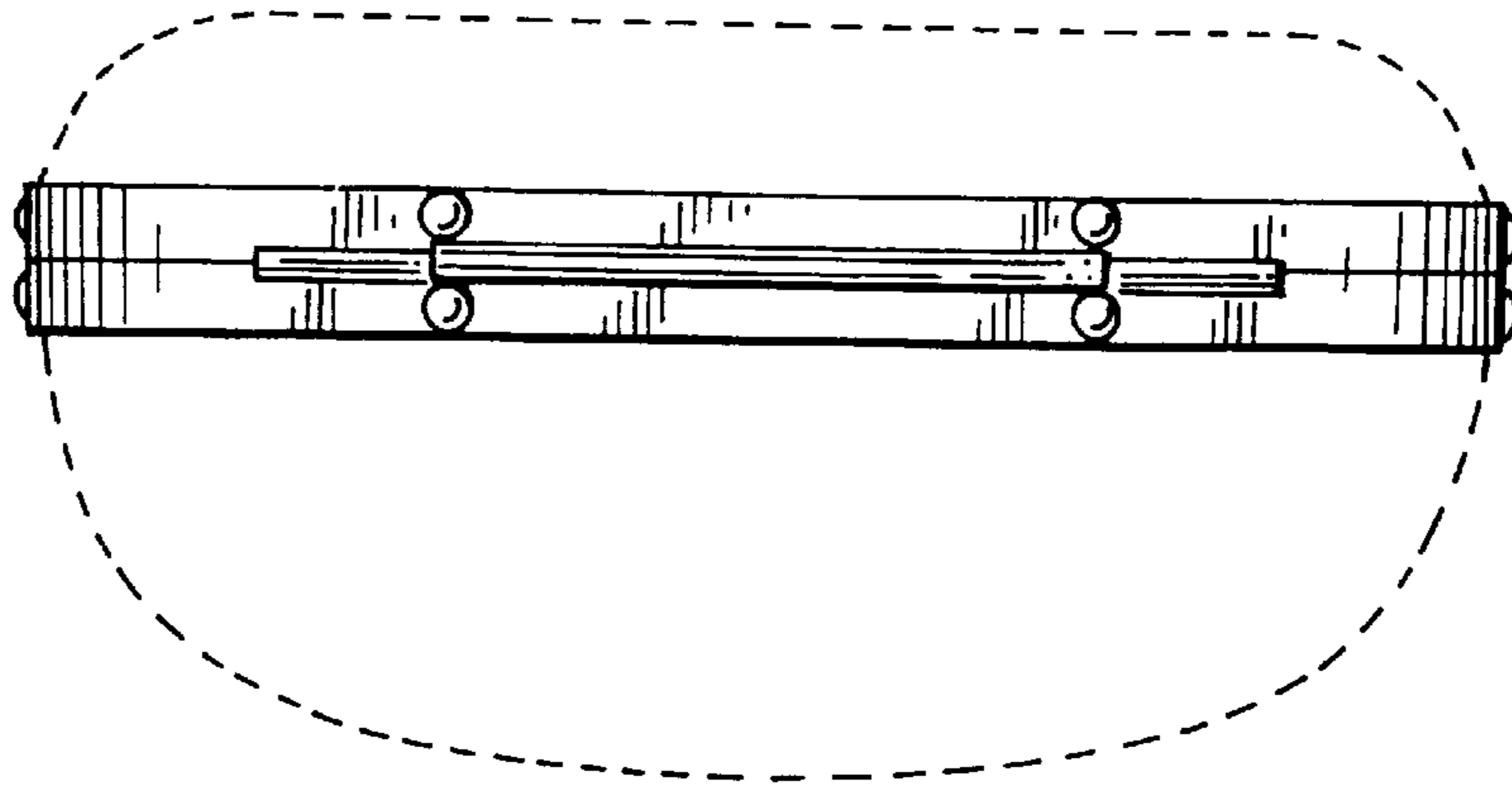


FIG. 4

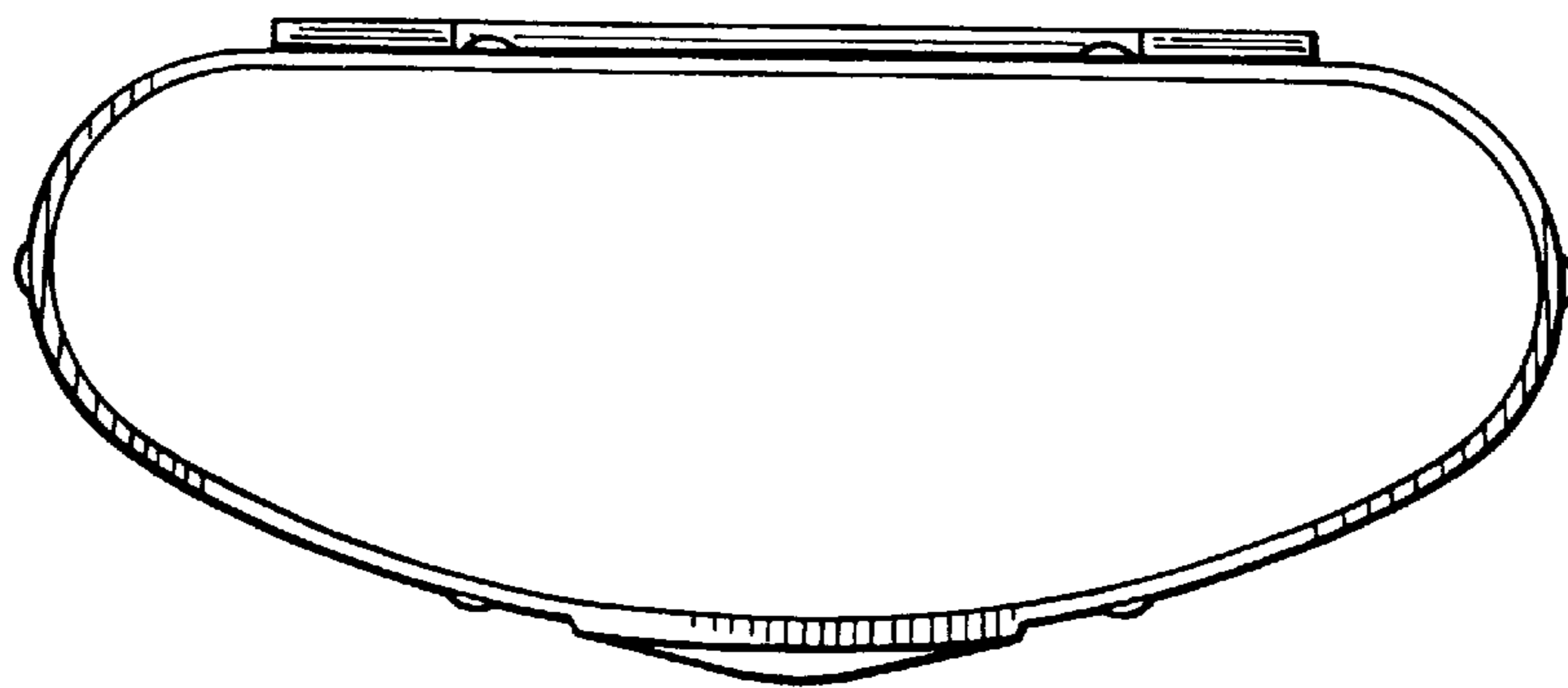


FIG. 5

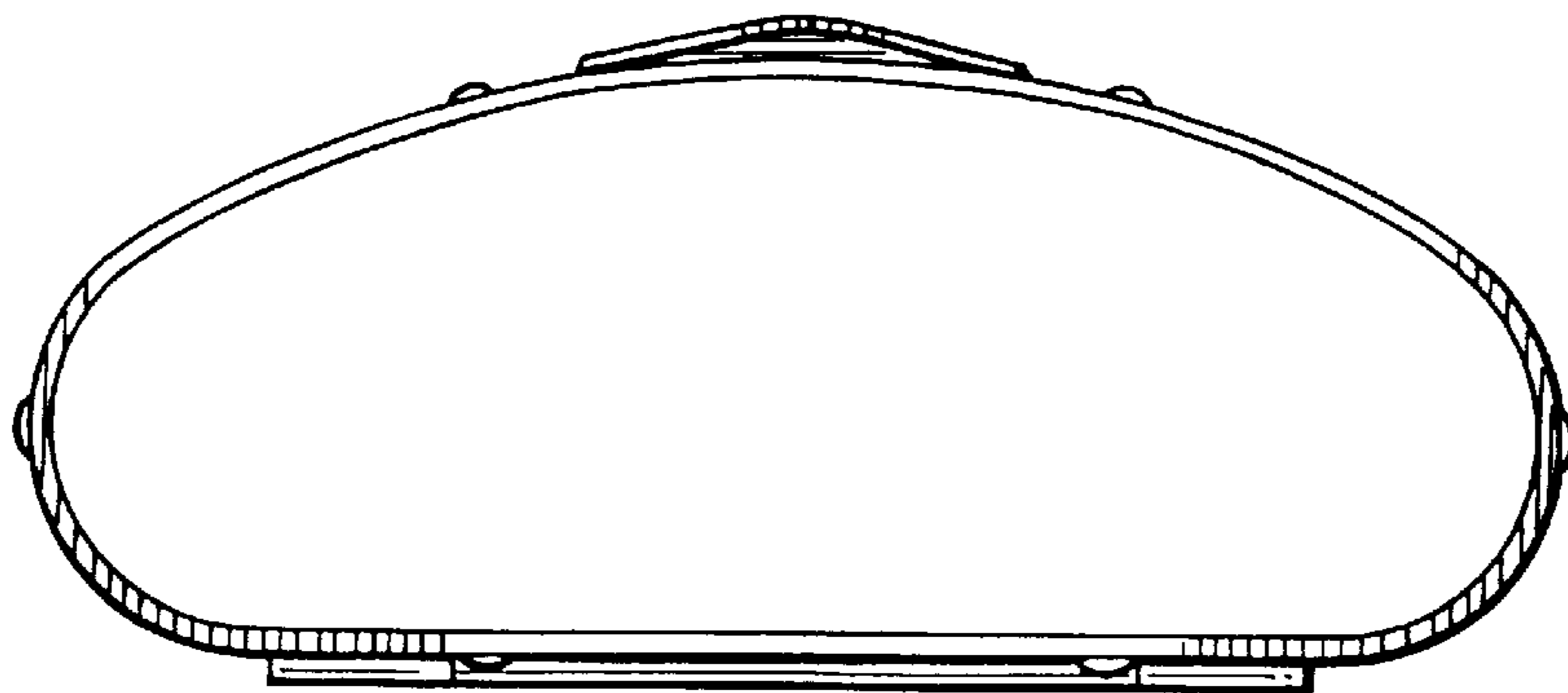


FIG. 6

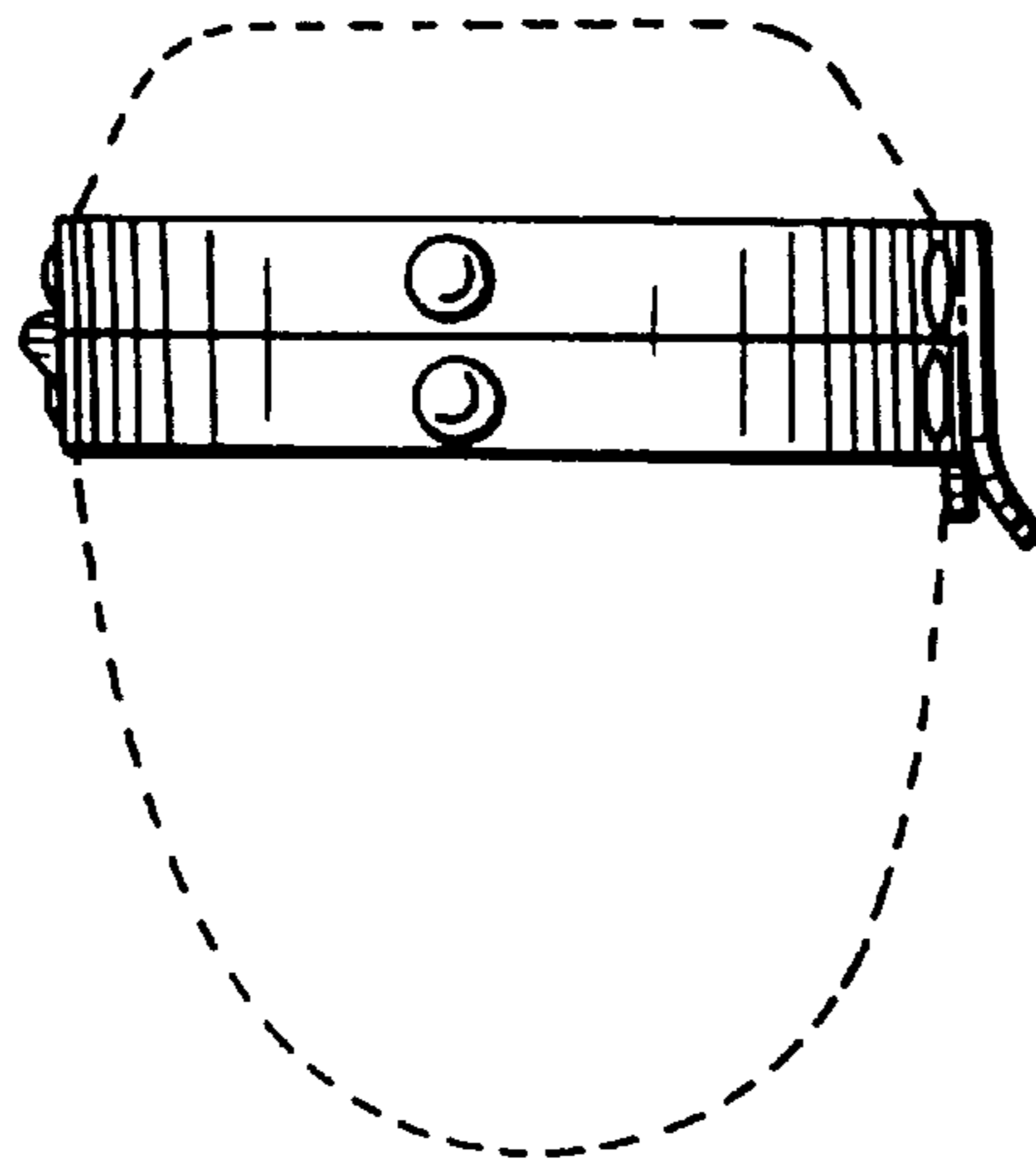


FIG. 7

