



US00D423222S

United States Patent [19] Ryan

[11] **Patent Number: Des. 423,222**

[45] **Date of Patent: ** Apr. 25, 2000**

[54] **GOLF BAG TOP**

[75] Inventor: **Dennis Ryan**, Springfield, Tenn.

[73] Assignee: **Datrek Professional Bags, Inc.**,
Springfield, Tenn.

[**] Term: **14 Years**

[21] Appl. No.: **29/100,078**

[22] Filed: **Feb. 3, 1999**

[51] **LOC (6) Cl.** **03-99**

[52] **U.S. Cl.** **D3/320**

[58] **Field of Search** D3/319-321, 255,
D3/259; 206/315.3, 315.5, 315.6, 315.7,
315.8; 248/95-96, 99-101

[56] **References Cited**

U.S. PATENT DOCUMENTS

D. 105,331	7/1937	Hotze	D3/255
D. 316,779	5/1991	Henrickson et al.	D3/255
D. 323,741	2/1992	Antonious	D3/320
D. 325,299	4/1992	Antonious	D3/320
D. 327,168	6/1992	Antonious	D3/320
3,230,992	1/1966	Kish, Jr.	206/315.3
3,315,719	4/1967	Kish, Jr.	206/315.3
5,358,109	10/1994	Nichols	206/315.3
5,361,899	11/1994	Reimers	206/315.6
5,799,786	9/1998	Beck et al.	206/315.7
5,918,737	7/1999	Kwon	206/315.3

FOREIGN PATENT DOCUMENTS

663533	12/1951	United Kingdom	206/315.5
1418463	12/1975	United Kingdom	206/315.5

OTHER PUBLICATIONS

Excerpt of an advertising brochure advertising OMEGA™ Series, undated.

Excerpt of an advertising brochure of Tectonic Corporation used under license by Burton Golf, Inc. advertising NIBLOCK® Security Systems, undated.

Excerpt of an advertising brochure advertising Fury™, undated.

Excerpt of an advertising brochure advertising XL Tour Series™, undated.

Excerpt of an advertising brochure advertising EXECUTIVE™ Series A, undated.

Primary Examiner—Louis S. Zarfes
Assistant Examiner—Robert A. Delehanty
Attorney, Agent, or Firm—Waddey & Patterson; I. C. Waddey, Jr.

[57] **CLAIM**

The ornamental design for golf bag top, as shown and described.

DESCRIPTION

FIG. 1 is a front, side perspective view of a golf bag top showing my new design;

FIG. 2 is a top plan view shown on a reduced scale thereof;

FIG. 3 is a left, side elevation view shown on a reduced scale thereof;

FIG. 4 is a rear elevation view thereof;

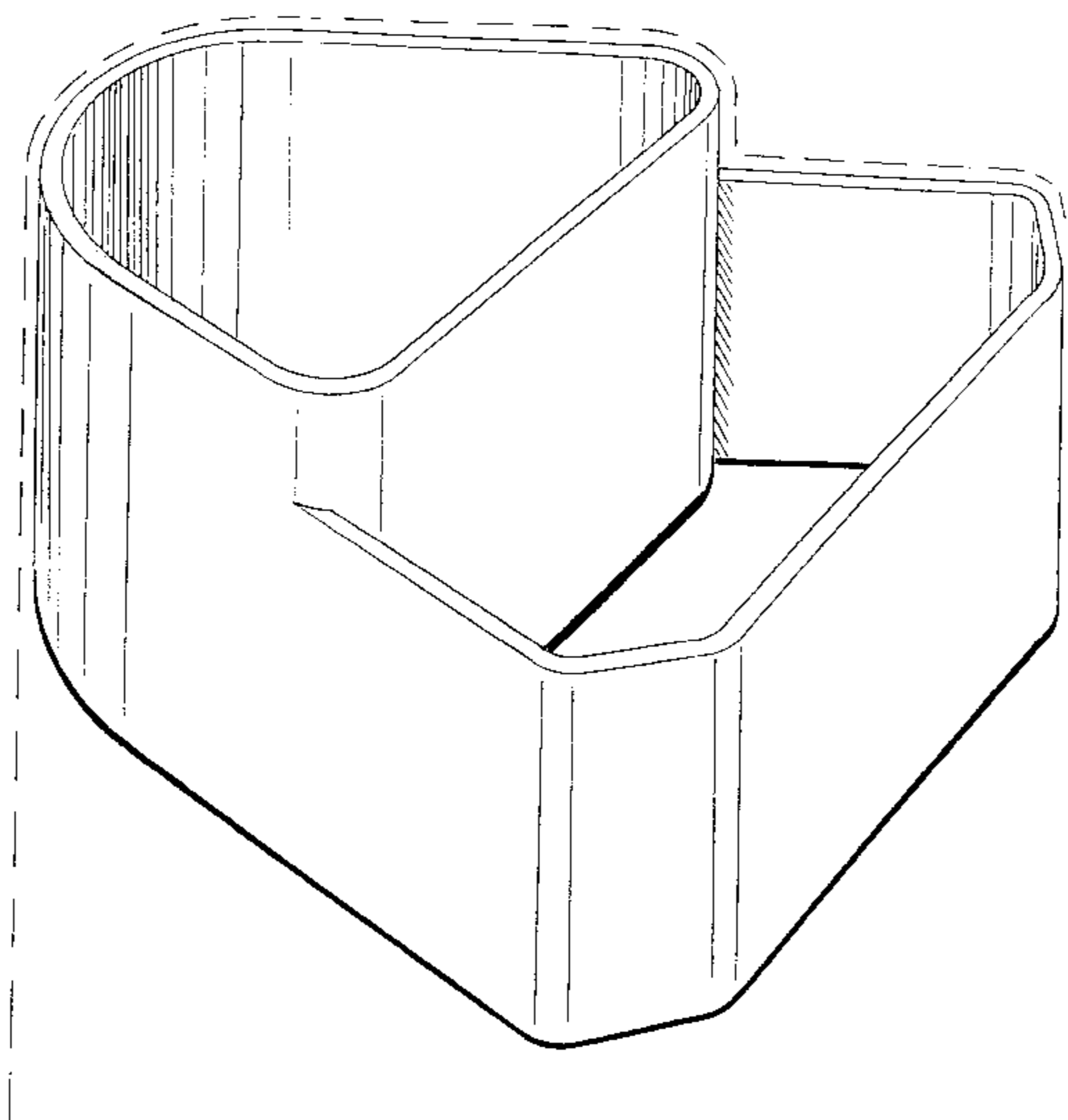
FIG. 5 is a right side elevation view thereof;

FIG. 6 is a front elevation view thereof; and,

FIG. 7 is a bottom plan view thereof.

The broken line showing of a partial view of a golf bag is for illustrative purposes only and forms no part of the claimed design.

1 Claim, 6 Drawing Sheets



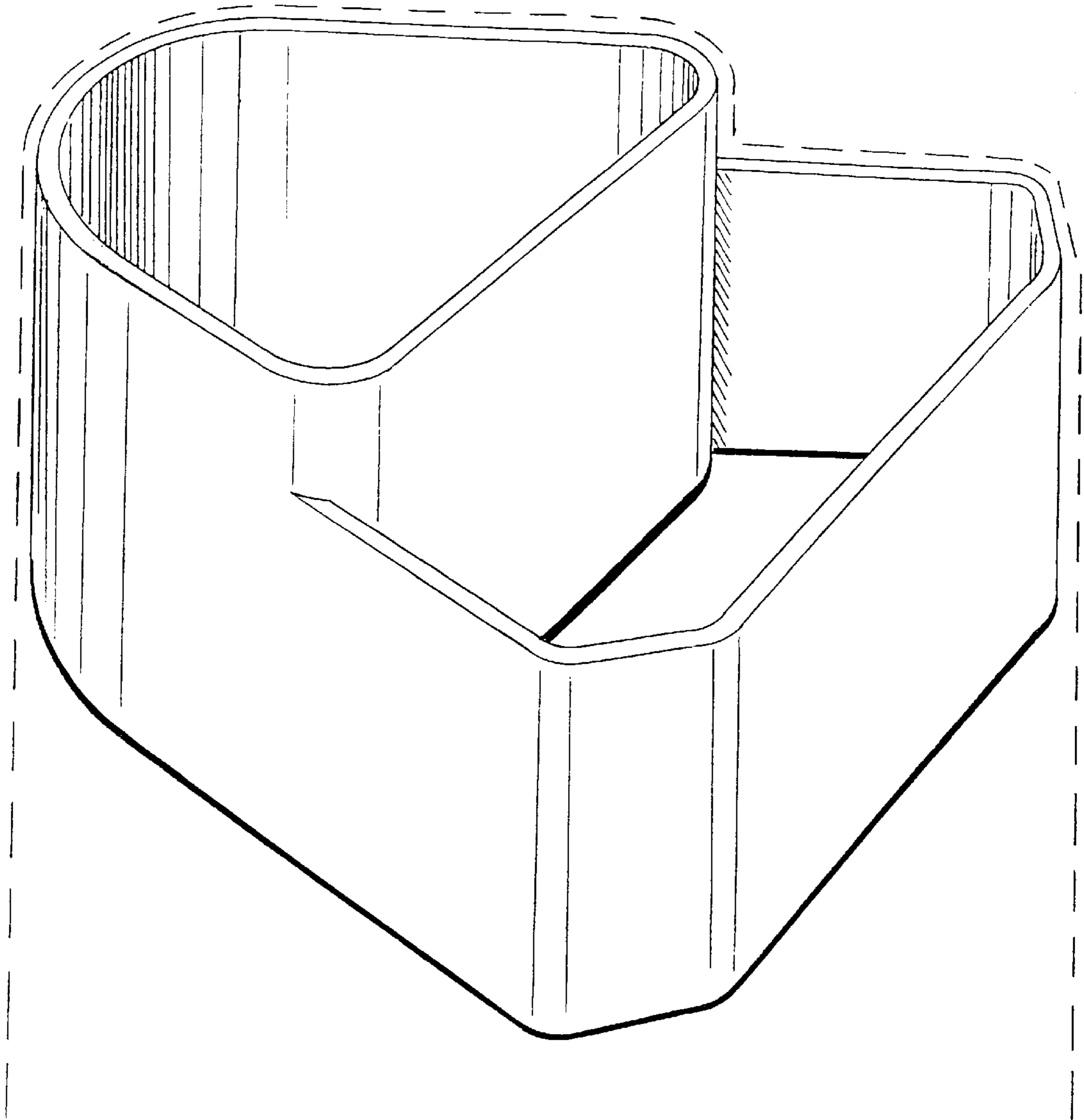


FIG. 1

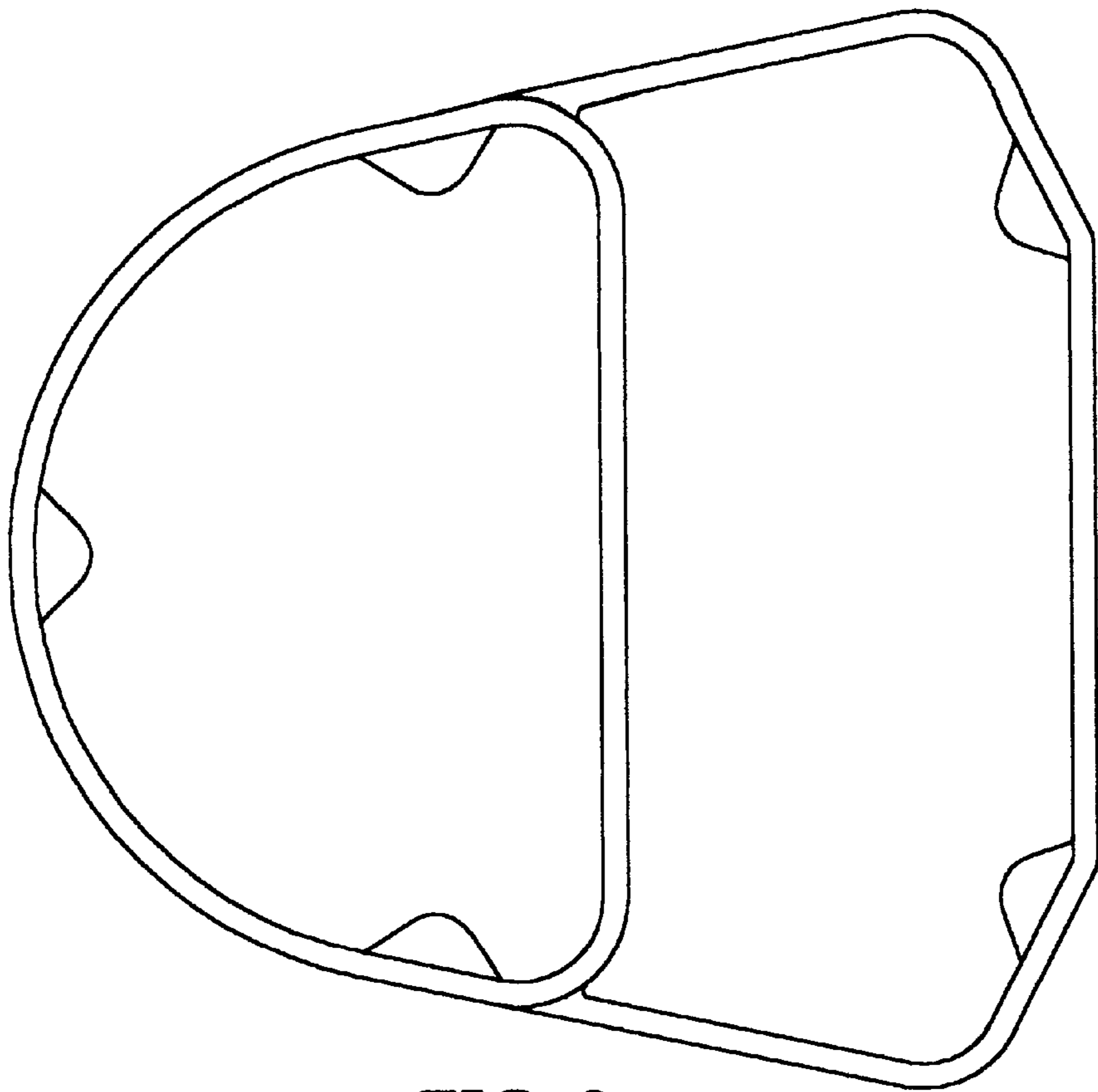


FIG. 2

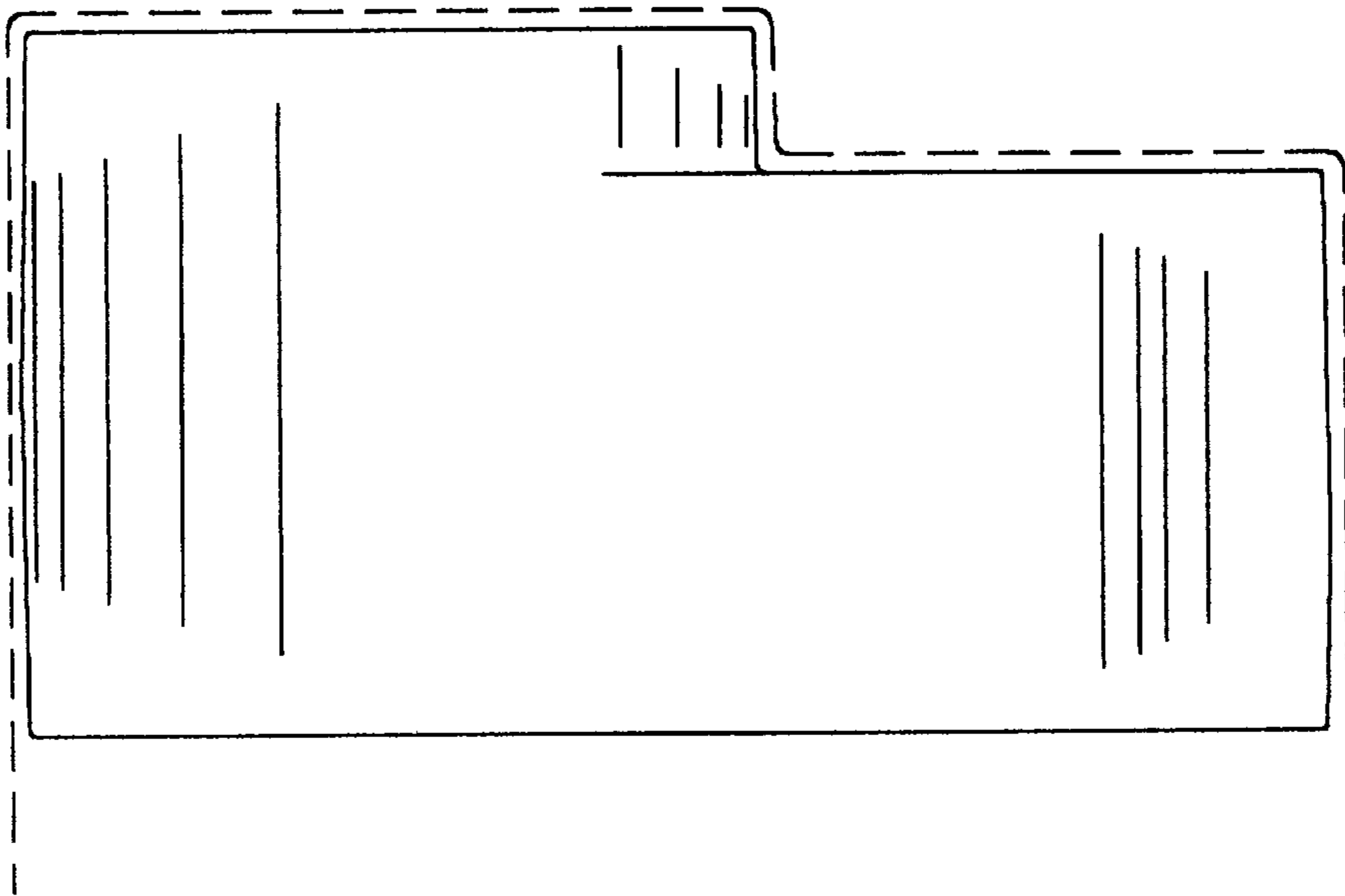


FIG. 3

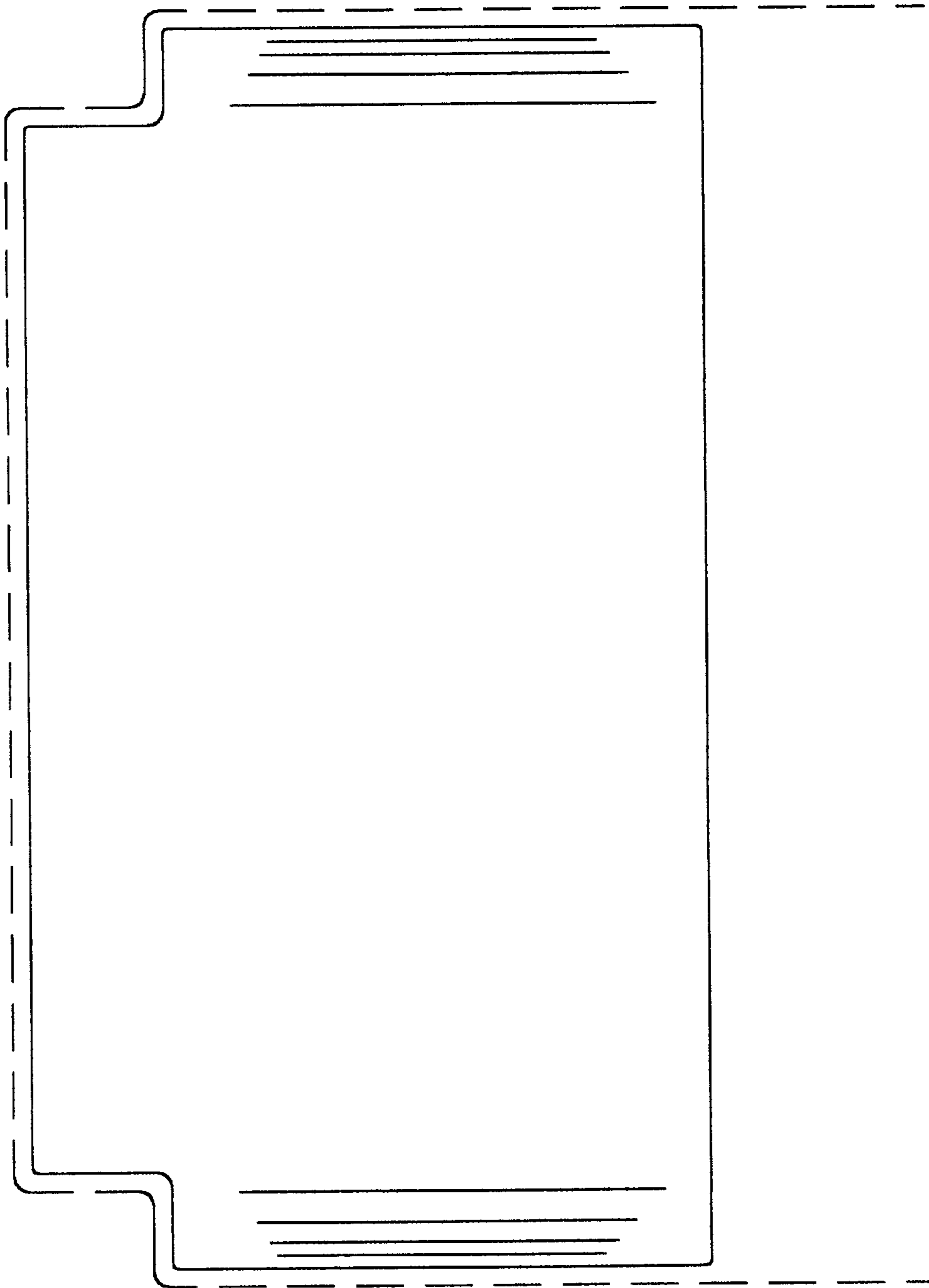


FIG. 4

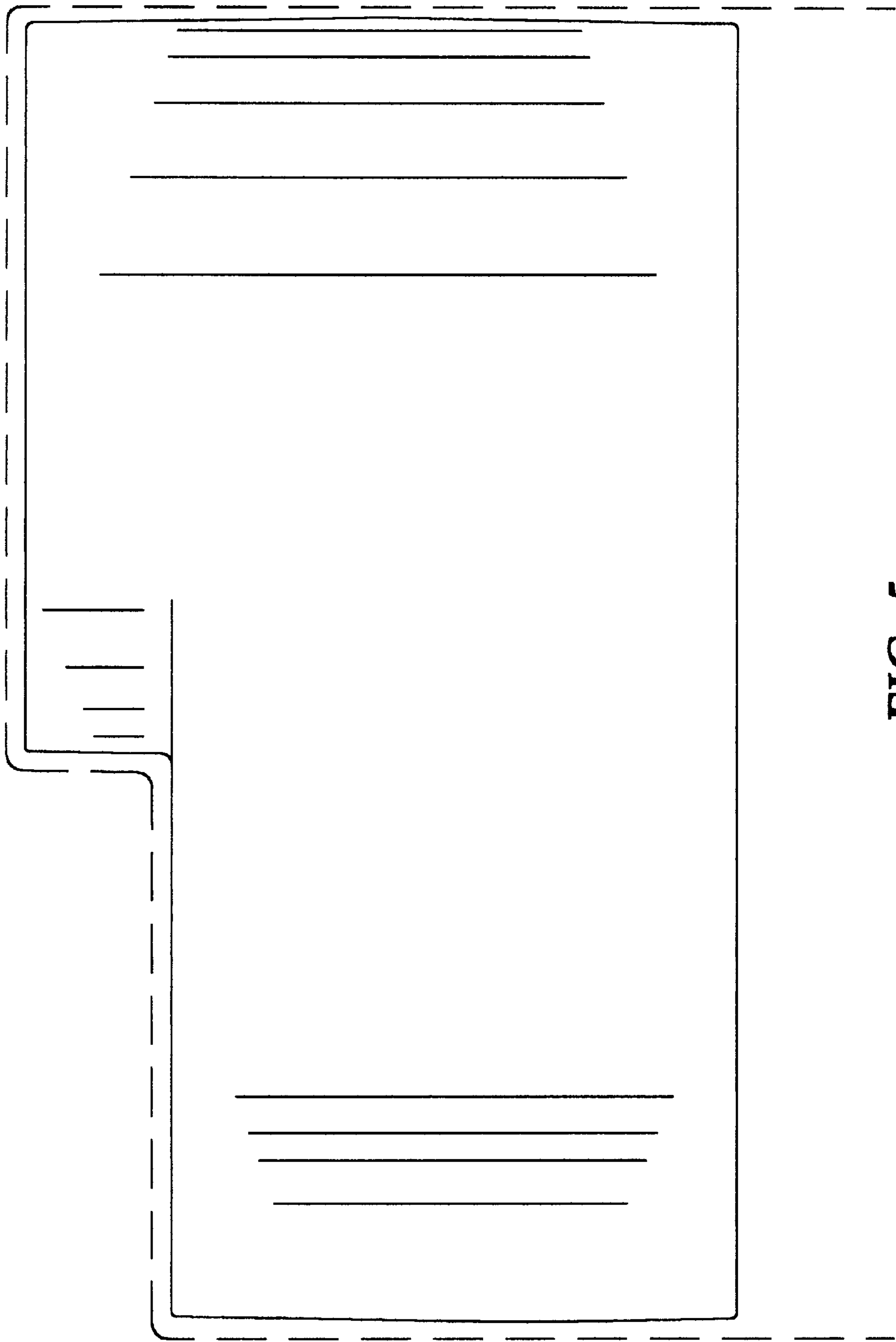


FIG. 5

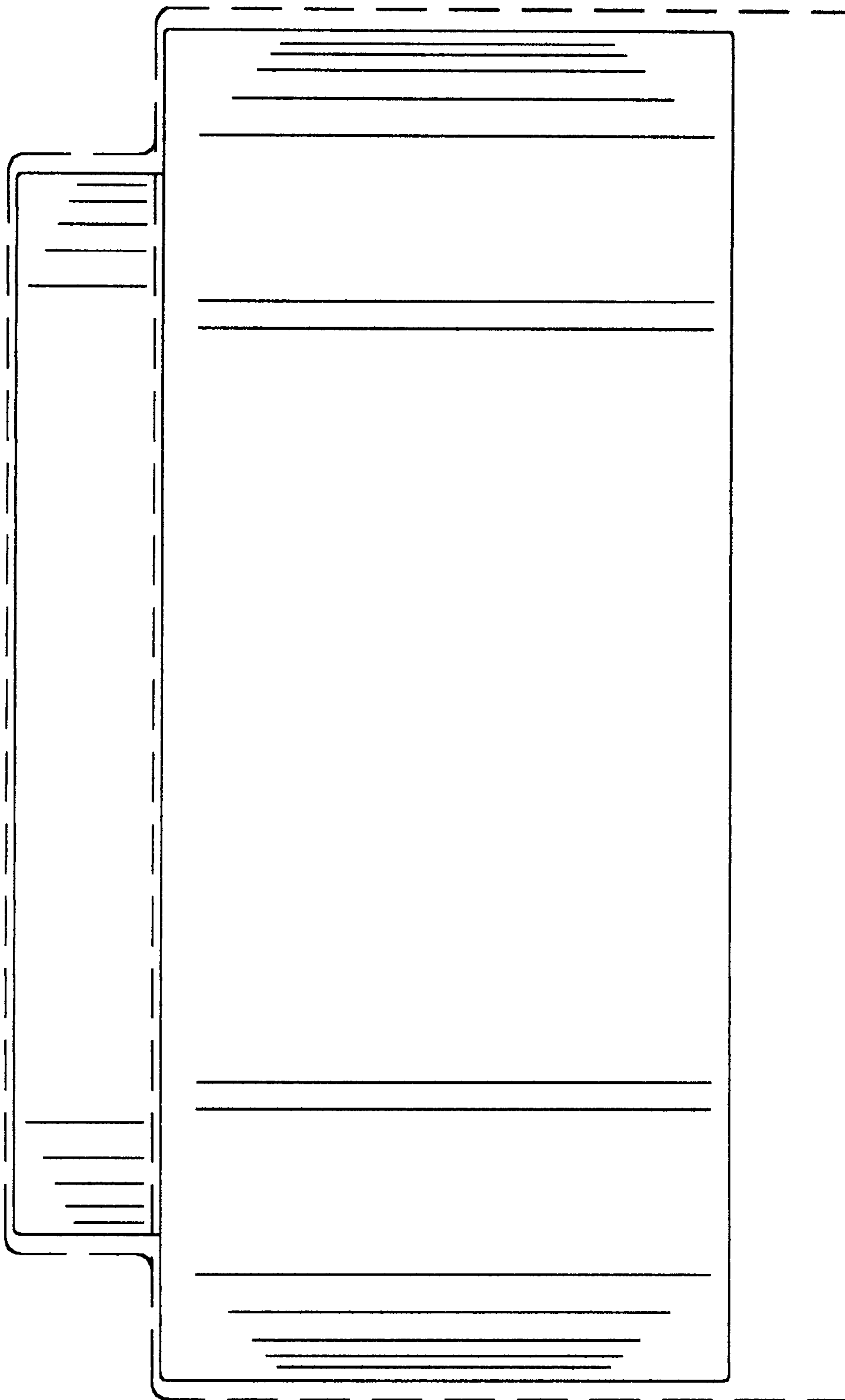


FIG. 6

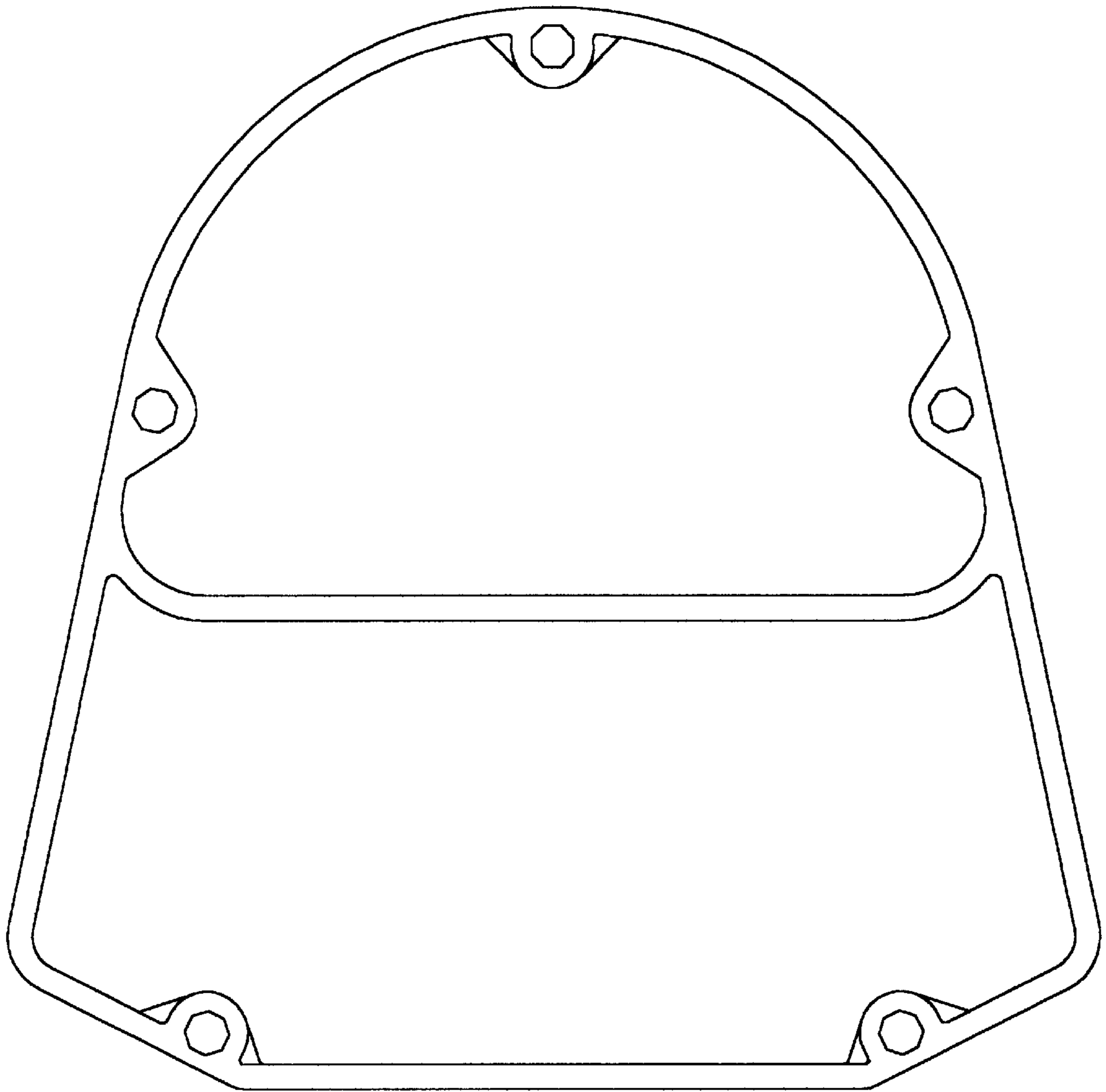


FIG. 7