



US00D423220S

United States Patent [19]
McDade

[11] **Patent Number: Des. 423,220**

[45] **Date of Patent: ** Apr. 25, 2000**

[54] **DOCUMENT STORAGE AND RETAINING DEVICE FOR MOUNTING ONTO A STORAGE CONTAINER**

[75] Inventor: **Clinton L. McDade**, Charlotte, N.C.

[73] Assignee: **Schaefer Systems International, Inc.**, Charlotte, N.C.

[**] Term: **14 Years**

[21] Appl. No.: **29/091,885**

[22] Filed: **Aug. 7, 1998**

[51] **LOC (6) Cl.** **03-99**

[52] **U.S. Cl.** **D3/318; D20/43**

[58] **Field of Search** **D3/304-309, 318; D20/43, 44, 99; 220/1.5, 23.6, 23.83; 206/503, 510, 513, 518; 211/126.1, 126.9-126.13; 40/312, 325, 308, 617, 757, 761-765**

[56] **References Cited**

U.S. PATENT DOCUMENTS

| | | | | |
|------------|---------|----------------|-------|----------|
| D. 25,989 | 9/1896 | Coverston | | D20/43 |
| D. 26,461 | 12/1896 | Sassenhoff | | D20/43 |
| D. 185,408 | 6/1959 | Zimmerman | | D20/43 |
| D. 246,350 | 11/1977 | Powell | | D3/304 |
| D. 326,550 | 5/1992 | Waterman | | D3/304 |
| D. 347,513 | 5/1994 | Yoshikawa | | D3/304 |
| D. 362,276 | 9/1995 | Murakami | | D20/43 |
| 1,417,325 | 5/1922 | Hopp | | D20/43 X |
| 5,903,993 | 5/1999 | Maticko et al. | | 40/757 |

Primary Examiner—Martie K. Holtje

Attorney, Agent, or Firm—Kennedy Covington Lobdell & Hickman

[57] **CLAIM**

The ornamental design for a document storage and retaining device for mounting onto a storage container, as shown and described.

DESCRIPTION

FIG. 1 is a top, front, and left perspective view of a document storage and retaining device for mounting onto a storage container showing my new design;

FIG. 2 is a bottom, front, and left perspective view of the document storage and retaining device of FIG. 1;

FIG. 3 is a top plan view of the document storage and retaining device of FIG. 1;

FIG. 4 is an enlarged top plan view of one of the mounting mechanisms at one end of the document storage and retaining device of FIG. 3;

FIG. 5 is a front elevational view of the document storage and retaining device of FIG. 1;

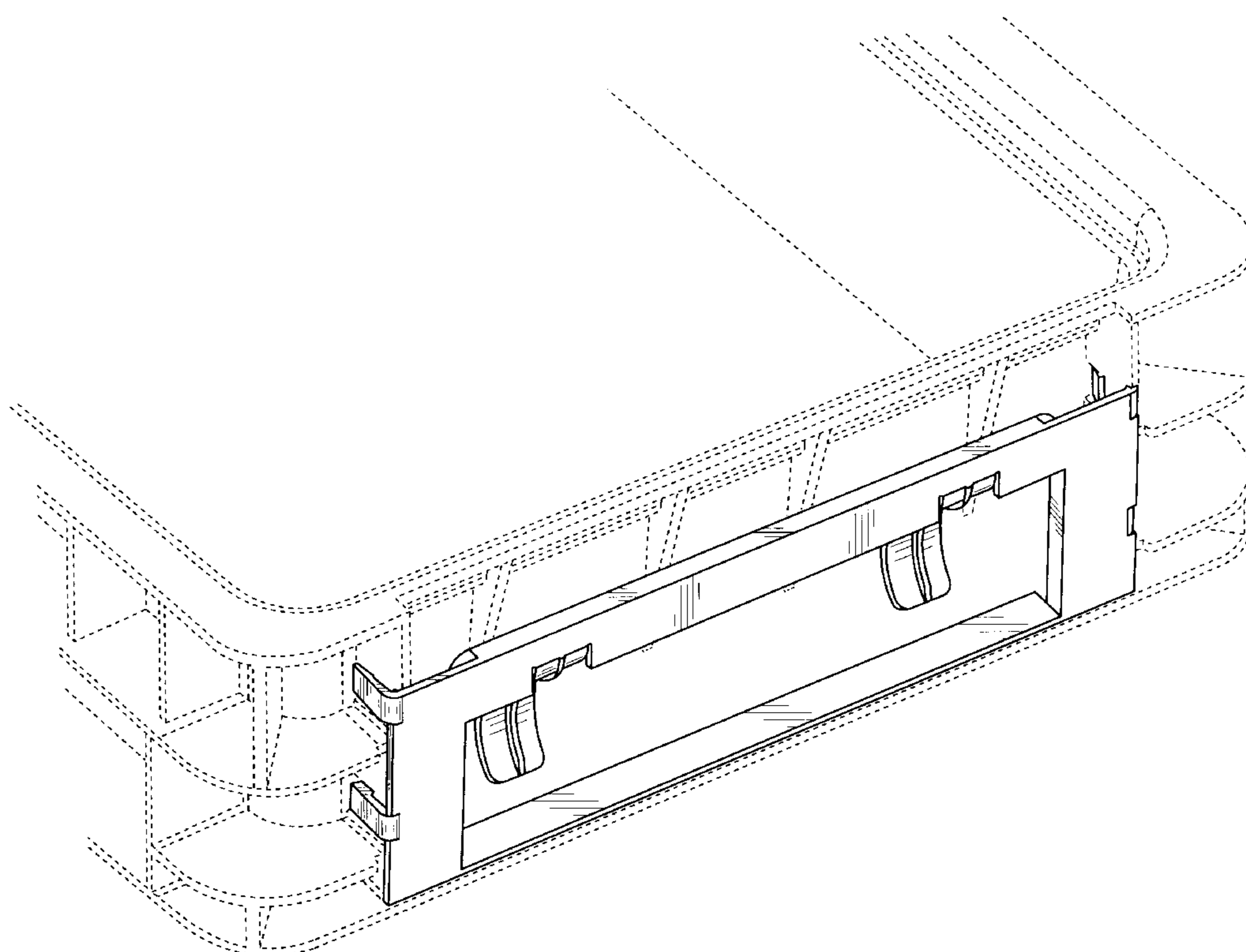
FIG. 6 is a right side view of the document storage and retaining device of FIG. 1;

FIG. 7 is a bottom plan view of the document storage and retaining device of FIG. 1; and,

FIG. 8 is a rear elevational view of the document storage and retaining device of FIG. 1.

The broken lines showing the storage container are for illustrative purposes only and form no part of the claimed design. It should be further understood that the left side view of the document storage and retaining device is a mirror image of the right side view as shown in FIG. 5.

1 Claim, 5 Drawing Sheets



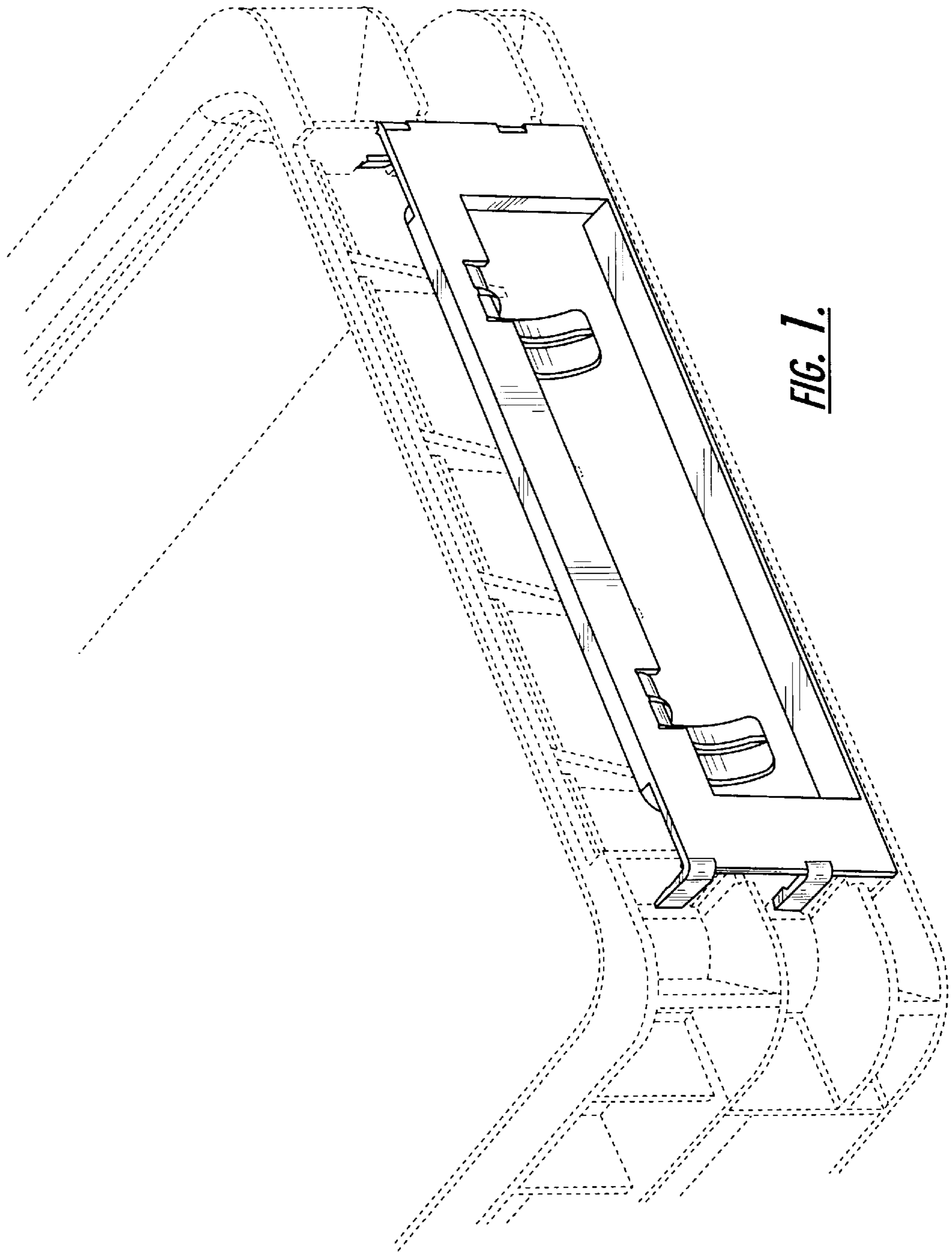
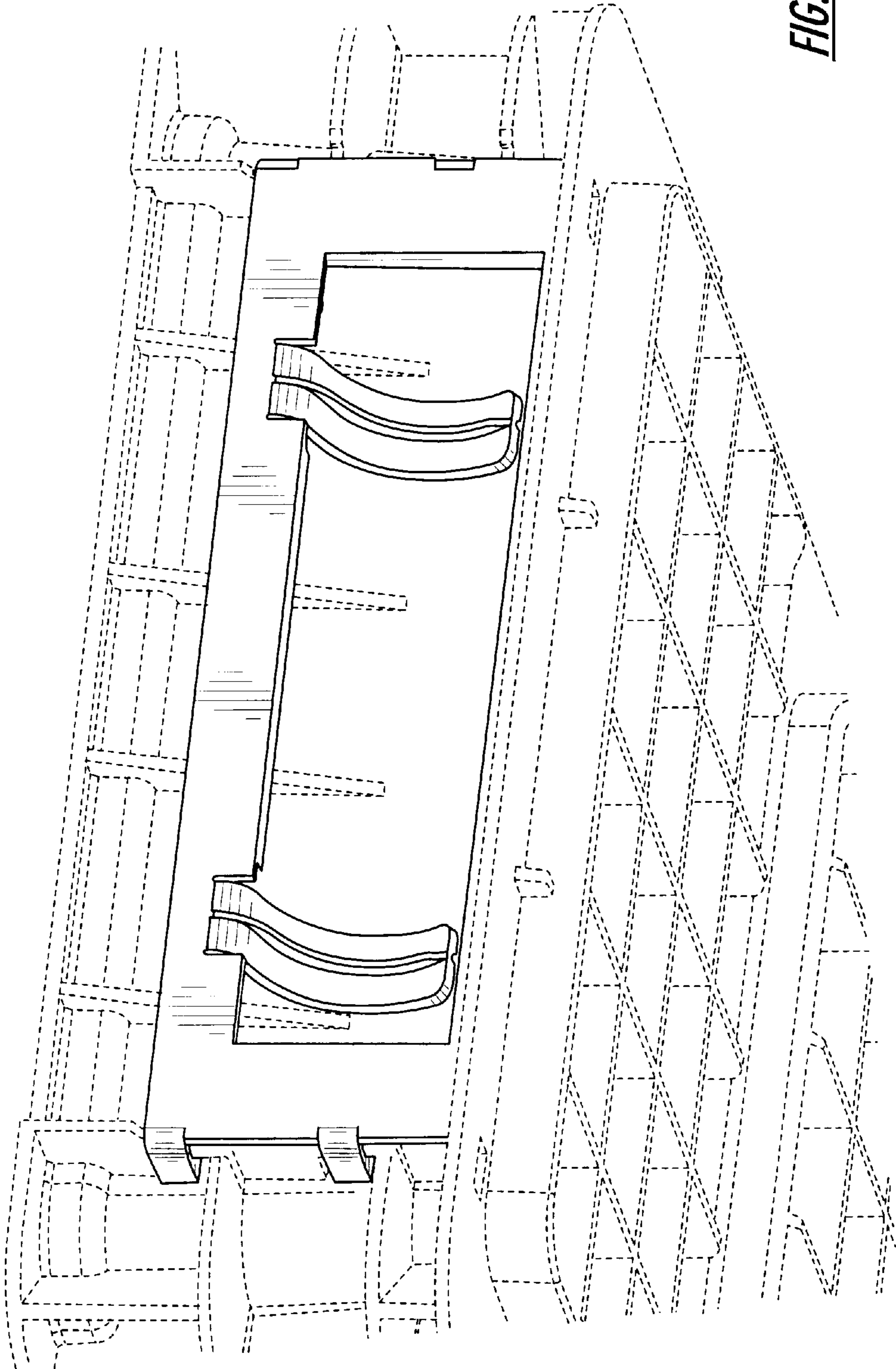


FIG. 2.



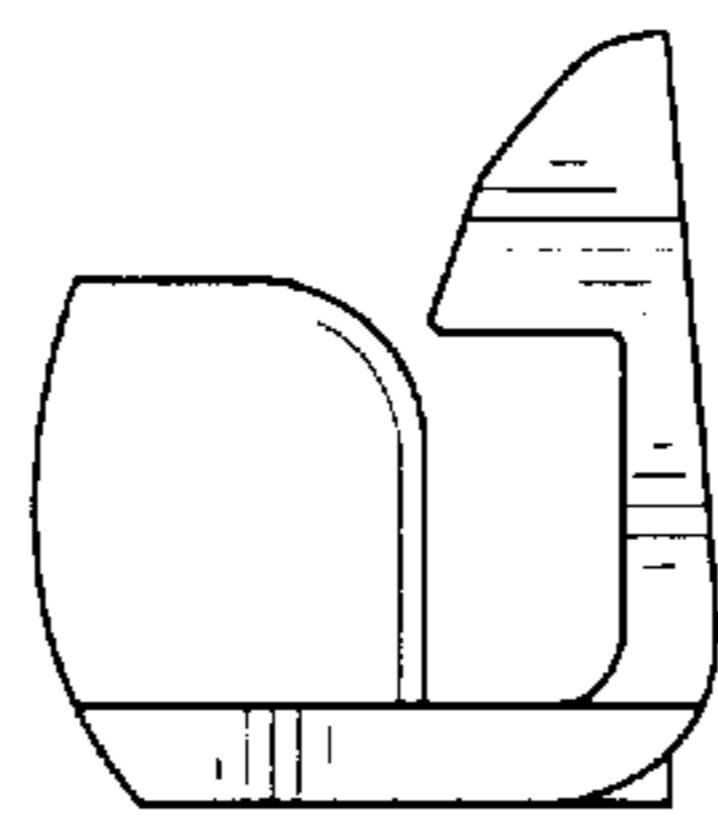
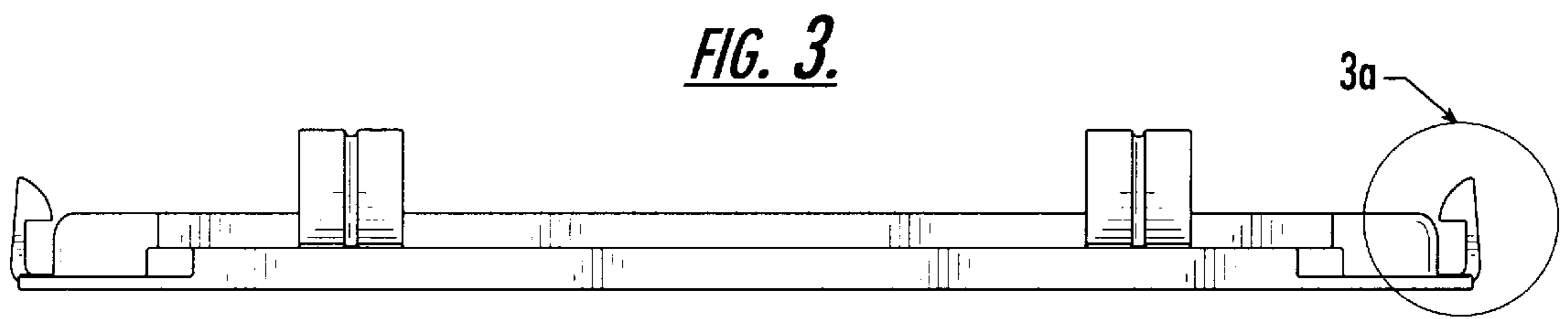


FIG. 4.

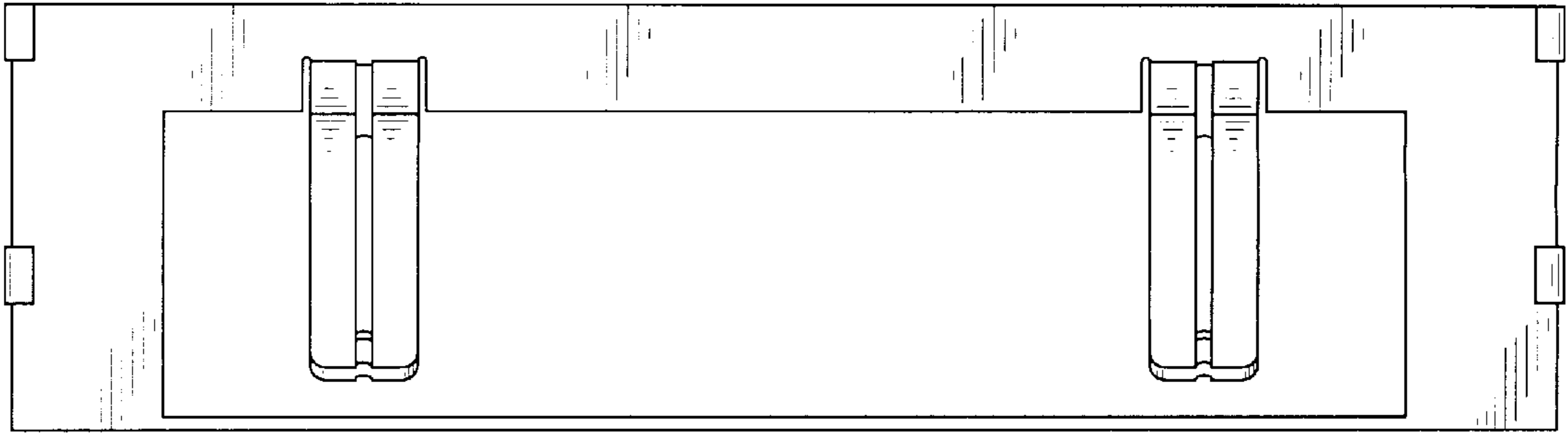


FIG. 5.

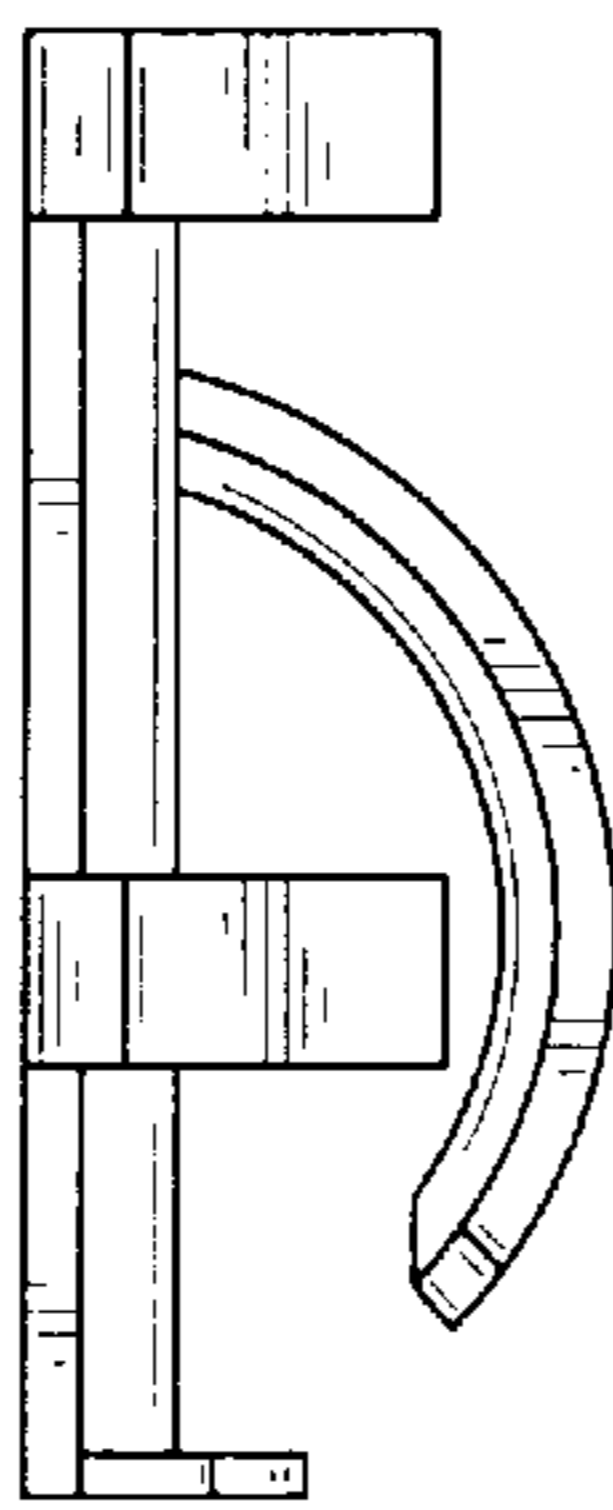


FIG. 6.

FIG. 7.

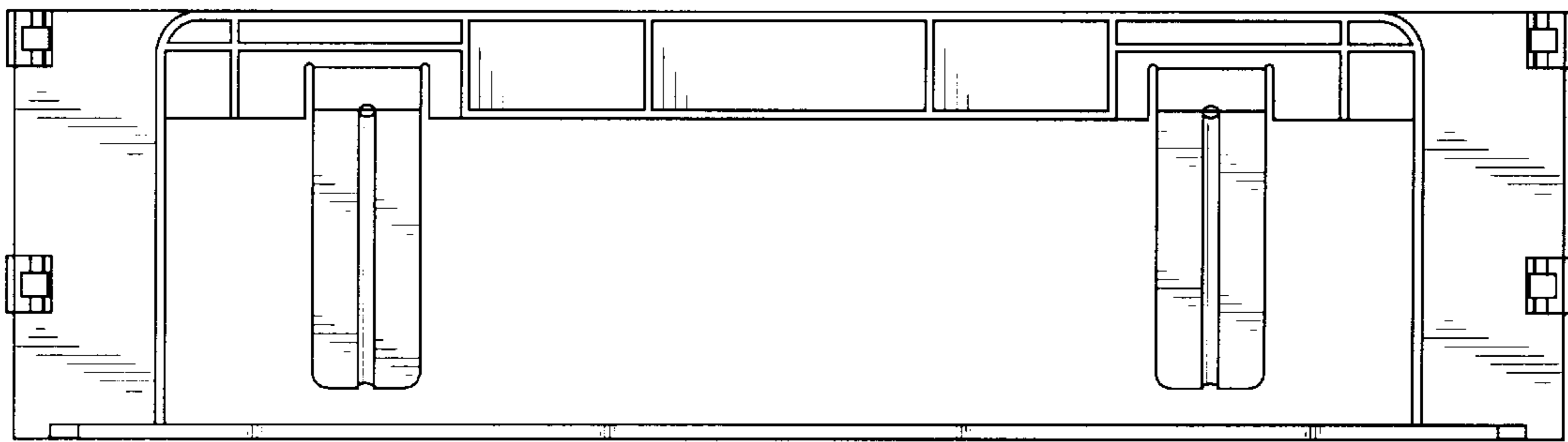
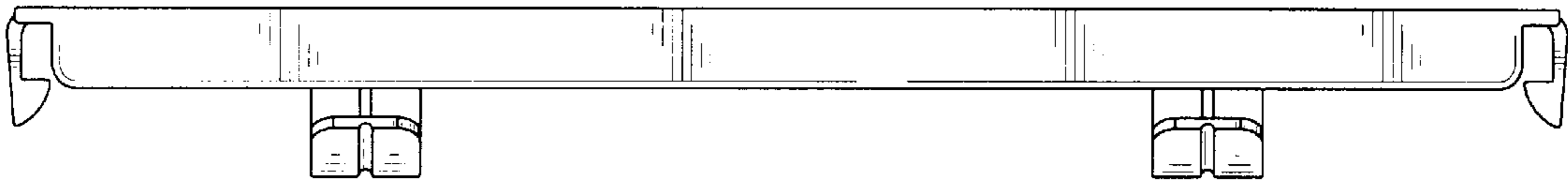


FIG. 8.