



US00D423204S

United States Patent [19] Lamprou

[11] Patent Number: Des. 423,204

[45] Date of Patent: ** Apr. 25, 2000

[54] SHOE UPPER

[75] Inventor: Van Lamprou, Hermosa Beach, Calif.

[73] Assignee: Skechers U.S.A., Inc., Manhattan Beach, Calif.

[**] Term: 14 Years

[21] Appl. No.: 29/102,049

[22] Filed: Mar. 16, 1999

[51] LOC (6) Cl. 02-04

[52] U.S. Cl. D2/969; D2/907; D2/902

[58] Field of Search D2/902, 907-912,
D2/969, 970, 947-960; 36/83, 89, 102,
106, 113, 114, 126-131, 3 R, 45, 46.5,
48, 50.1, 25 R, 4

[56] References Cited

U.S. PATENT DOCUMENTS

- D. 132,630 6/1942 Pfeiffer .
- D. 233,805 12/1974 Kubo D2/902
- D. 240,280 6/1976 Senter D2/902
- D. 247,073 1/1978 Kane et al. .
- D. 248,512 7/1978 Nova et al. D2/912
- D. 248,513 7/1978 Soler .
- D. 257,074 9/1980 Gucci .
- D. 263,643 4/1982 Vermonet .
- D. 265,015 6/1982 Higgins .
- D. 276,569 12/1984 Kohno .
- D. 279,620 7/1985 Ueda D2/908
- D. 283,366 4/1986 Chassaing .
- D. 283,463 4/1986 Chassaing .
- D. 284,043 6/1986 Lowe, Jr. et al. .
- D. 287,782 1/1987 Palacio .
- D. 293,970 2/1988 Brown et al. .
- D. 294,654 3/1988 Liggett et al. .
- D. 295,341 4/1988 Liggett et al. .
- D. 295,578 5/1988 Tong .
- D. 296,037 6/1988 Brown et al. D2/970
- D. 296,491 7/1988 Diaz .
- D. 297,069 8/1988 Le .
- D. 297,183 8/1988 Selbiger .
- D. 297,382 8/1988 Swett .
- D. 298,882 12/1988 Selbiger .

- D. 299,181 1/1989 Harken et al. .
- D. 299,783 2/1989 Brown et al. .
- D. 299,784 2/1989 Brown et al. .
- D. 299,886 2/1989 Brown et al. .
- D. 300,782 4/1989 Brown et al. .
- D. 300,983 5/1989 Le .
- D. 301,183 5/1989 Duclos .
- D. 303,868 10/1989 Argyropoulos D2/907
- D. 306,370 3/1990 Selbiger et al. .
- D. 306,371 3/1990 Feller et al. .
- D. 307,350 4/1990 Brown et al. .
- D. 310,289 9/1990 Farina .
- D. 310,291 9/1990 Selbiger .
- D. 311,268 10/1990 Hatfield .

(List continued on next page.)

OTHER PUBLICATIONS

Cabela's Catalog, p. 95, Items A & B, Chukka Boot; p. 126, Rockport Chukka & Cabela's Classic Safari Boot, Jul. 1991. Cabela's Catalog, p. 195 Cabela's Outfitter Series; p. 244 Teton II Hikers, Kalmath and Kahnteena Hikers, Gunnison Hiker; p. 246, Grand Mesa Hikers, Aug. 1999.

Primary Examiner—Louis S. Zarfaz
Assistant Examiner—Greg Andoll
Attorney, Agent, or Firm—Marshall A. Lerner; Bradford E. Mattes; Kleinberg & Lerner, LLP

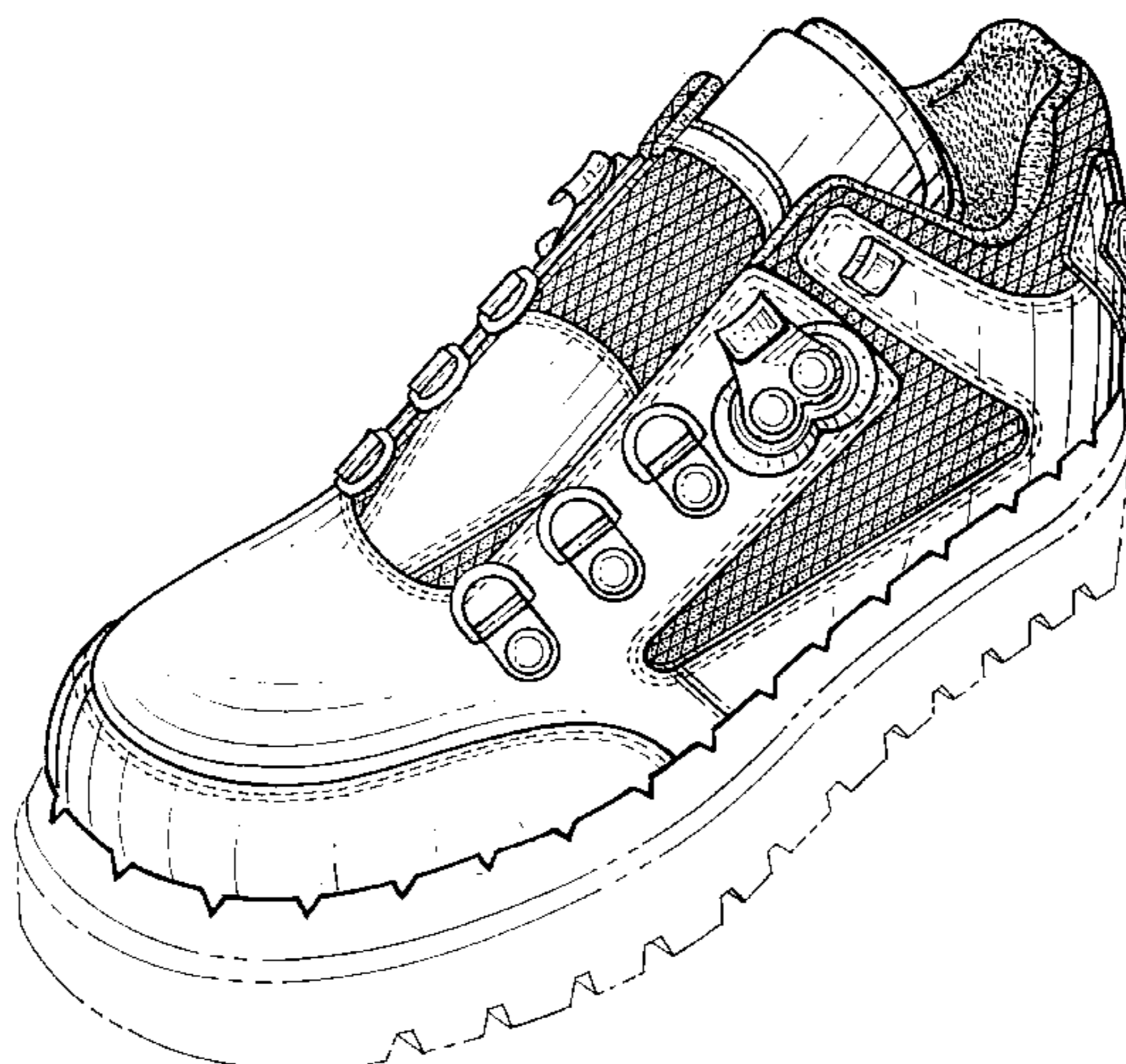
[57] CLAIM

The ornamental design for a shoe upper, as shown and described.

DESCRIPTION

FIG. 1 is a perspective view of the front, right and top of a shoe upper showing my new design. FIG. 2 is a right side elevational view thereof; FIG. 3 is a top plan view thereof; FIG. 4 is a left side elevational view thereof; FIG. 5 is a front elevational view thereof; and, FIG. 6 is a rear elevational view thereof. The broken line showing of the sole in the figures is for illustrative purposes only and forms no part of the claimed design.

1 Claim, 4 Drawing Sheets



U.S. PATENT DOCUMENTS

D. 315,054	3/1991	Hatfield .	
D. 317,224	6/1991	Lucas .	
D. 317,823	7/1991	Hatfield .	
D. 318,944	8/1991	Lucas .	
D. 326,354	5/1992	Hatfield .	
D. 326,950	6/1992	Legacki et al. .	
D. 328,667	8/1992	Tonkel et al. .	
D. 329,734	9/1992	Preskar et al. .	
D. 333,553	3/1993	Bevier .	
D. 334,651	4/1993	Smith .	
D. 337,649	7/1993	Greene .	
D. 341,476	11/1993	Duclos .	
D. 341,937	12/1993	Minkin	D2/970
D. 342,370	12/1993	Keen .	
D. 345,460	3/1994	Ryder	D2/969
D. 346,897	5/1994	Morris et al.	D2/970
D. 349,806	8/1994	Minkin	D2/970
D. 351,275	10/1994	Hatfield et al. .	
D. 351,939	11/1994	Ryder	D2/970
D. 353,481	12/1994	Cintron .	
D. 353,482	12/1994	Cintron .	
D. 354,165	1/1995	Werman	D2/970
D. 355,069	2/1995	Aveni .	
D. 358,702	5/1995	Edwards .	
D. 358,930	6/1995	Blanchini	D2/970
D. 362,333	9/1995	Teague .	
D. 365,199	12/1995	Avar .	
D. 365,922	1/1996	O'Rorke .	
D. 366,141	1/1996	von Conta .	
D. 367,161	2/1996	Shea .	
D. 368,578	4/1996	Smith .	
D. 369,456	5/1996	Peterson .	
D. 370,554	6/1996	Greene .	
D. 374,763	10/1996	von Conta .	
D. 379,030	5/1997	Egelja .	
D. 380,594	7/1997	von Conta .	
D. 380,597	7/1997	Brooks et al.	D2/970
D. 381,492	7/1997	Nakano .	
D. 381,794	8/1997	Gelli .	
D. 381,798	8/1997	Cyr	D2/970
D. 382,389	8/1997	Morris .	
D. 382,992	9/1997	Chiu	D2/970
D. 384,195	9/1997	Brooks et al.	D2/970
D. 385,395	10/1997	Morris .	
D. 385,397	10/1997	Duclos	D2/970
D. 385,689	11/1997	James .	
D. 387,194	12/1997	Serna .	
D. 392,793	3/1998	Koh .	
D. 393,142	4/1998	Brown .	
D. 394,145	5/1998	von Conta .	
D. 399,043	10/1998	Duclos et al.	D2/969
D. 399,044	10/1998	Hamel	D2/970
D. 400,697	11/1998	Egelja et al. .	
D. 400,699	11/1998	Brooks et al.	D2/970
D. 402,100	12/1998	Greenberg	D2/970
D. 403,148	12/1998	Kelchak	D2/970
D. 403,849	1/1999	Greenberg	D2/969
D. 404,553	1/1999	Greenberg	D2/969
D. 404,905	2/1999	Kelchak	D2/970
D. 405,238	2/1999	Hamel	D2/970
D. 405,599	2/1999	Hamel	D2/969
D. 408,979	5/1999	Boyer	D2/970
D. 410,326	6/1999	Duclos	D2/970
1,952,628	3/1934	MacDonald .	
1,973,292	9/1934	Littell et al. .	
2,226,110	12/1940	Bass .	
2,247,459	7/1941	Wolfhard et al. .	
2,299,500	10/1942	Sawyer .	
2,311,746	2/1943	Ghez et al. .	
2,370,109	2/1945	Pipitone .	
2,591,211	4/1952	Spencer	36/4
2,889,639	6/1959	Rudine .	
2,978,817	4/1961	Brenner .	
3,095,656	7/1963	Lipare .	
3,545,107	12/1970	Cinquegrana et al.	36/50.1
3,672,078	6/1972	Fukuoka .	
3,729,840	5/1973	Famolare, Jr. .	
3,798,804	3/1974	Funck	36/45
3,890,725	6/1975	Lea et al. .	
4,290,212	9/1981	Matsson .	
4,300,256	11/1981	Laganas .	
4,538,366	9/1985	Norton .	
4,651,447	3/1987	Sullivan .	
4,670,998	6/1987	Pasternak .	
4,736,531	4/1988	Richard .	
4,742,625	5/1988	Sydor et al. .	
4,896,440	1/1990	Salaverria .	
4,949,476	8/1990	Anderie .	
4,972,610	11/1990	Tong .	
5,369,895	12/1994	Hammerschmidt .	
5,371,957	12/1994	Gaudio .	

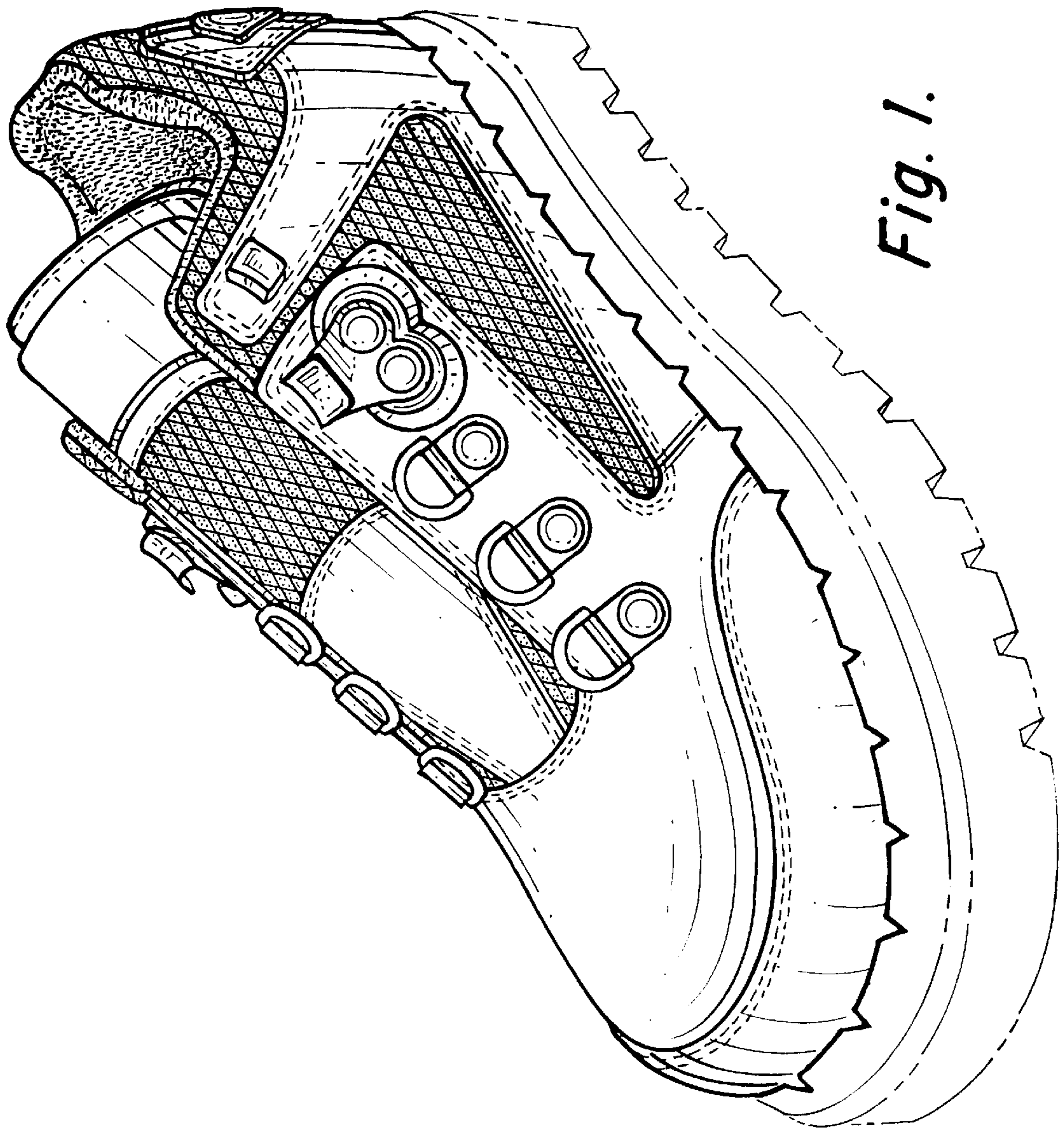


Fig. 1.

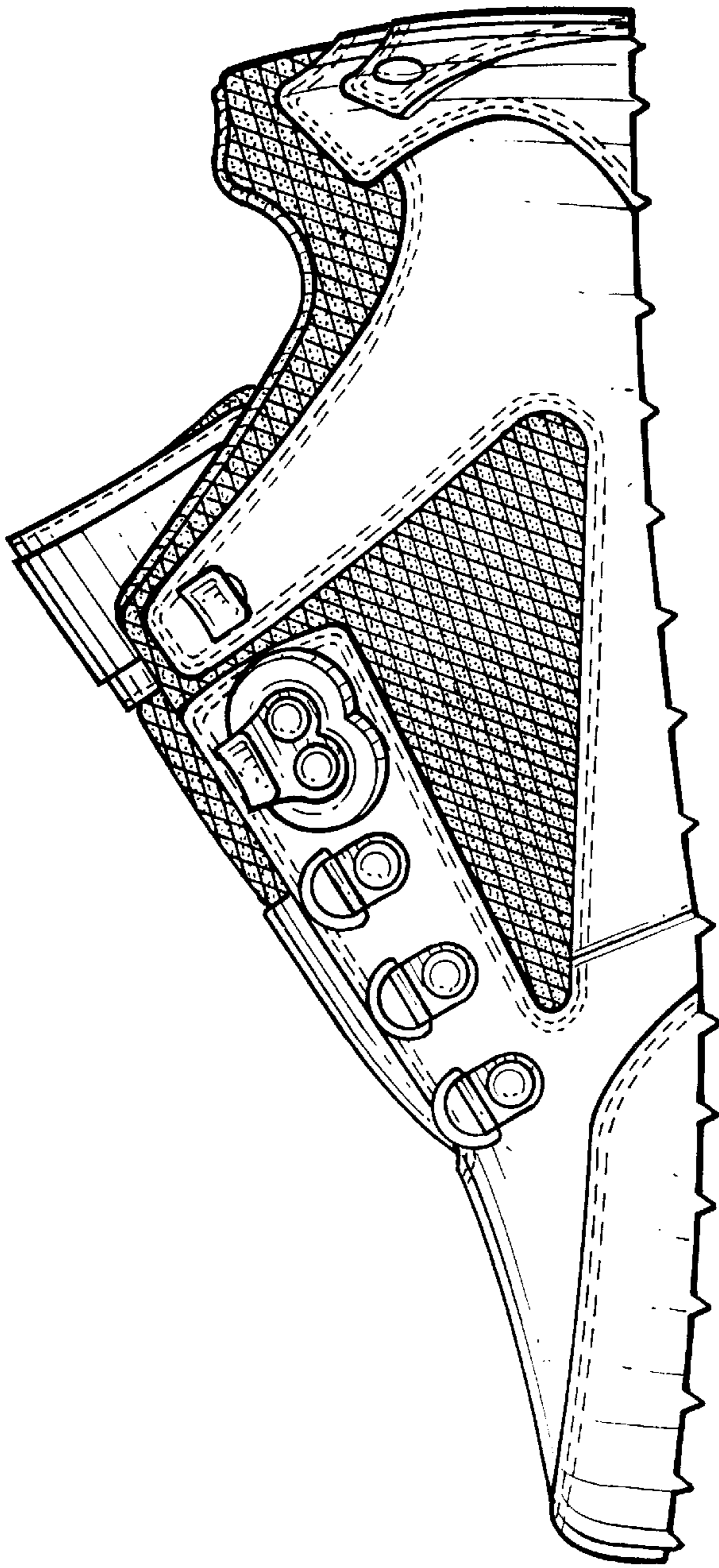


Fig. 2.

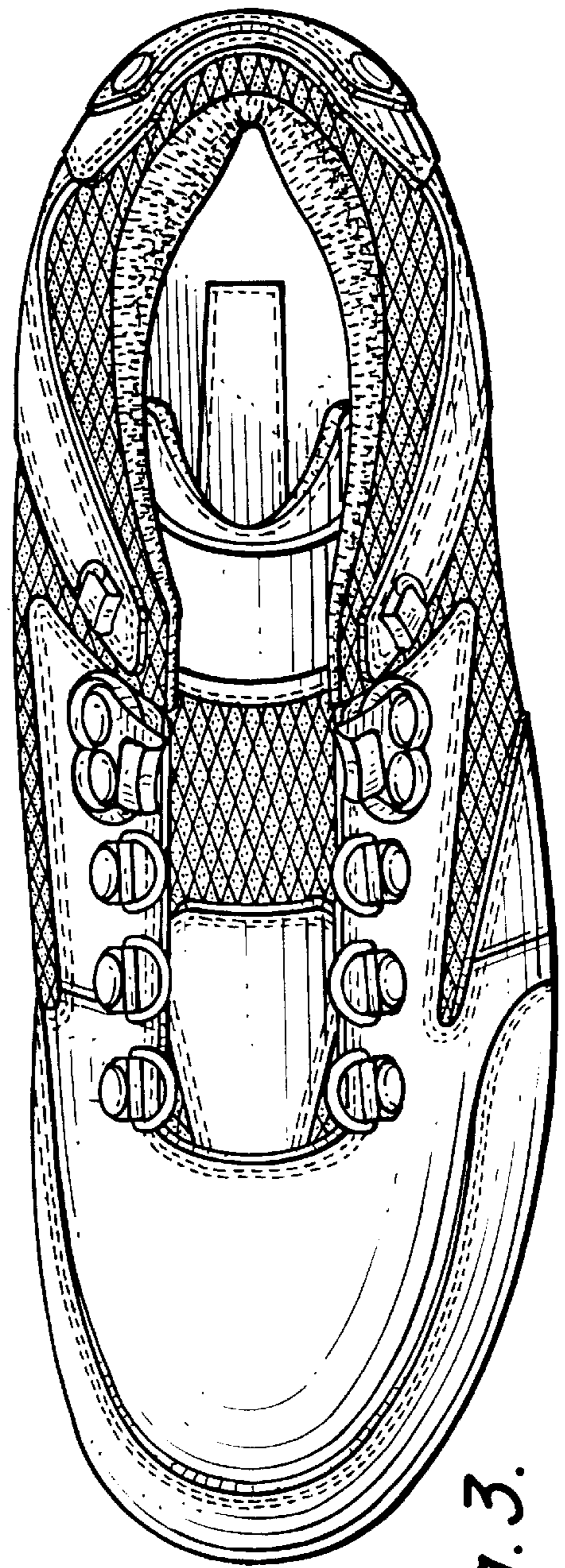


Fig. 3.

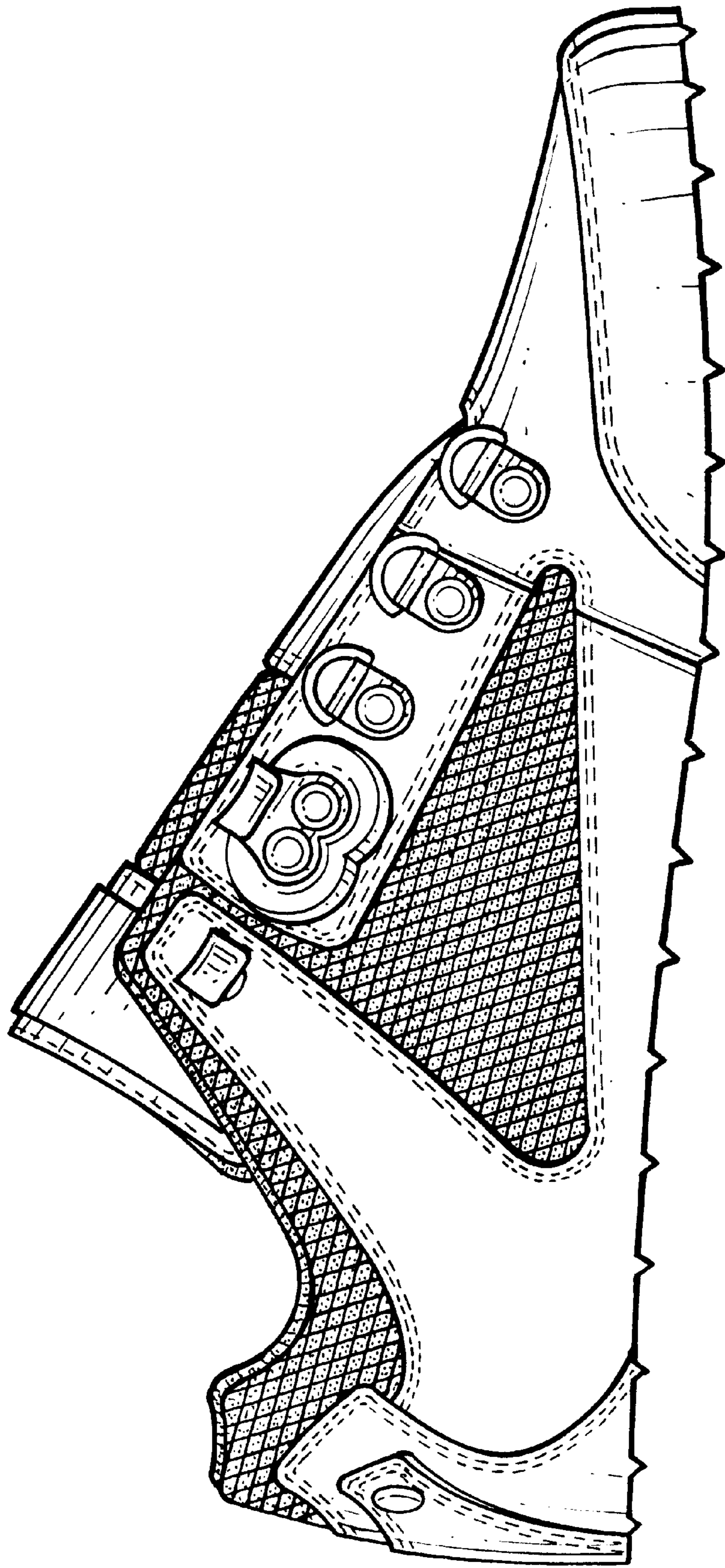


Fig. 4.

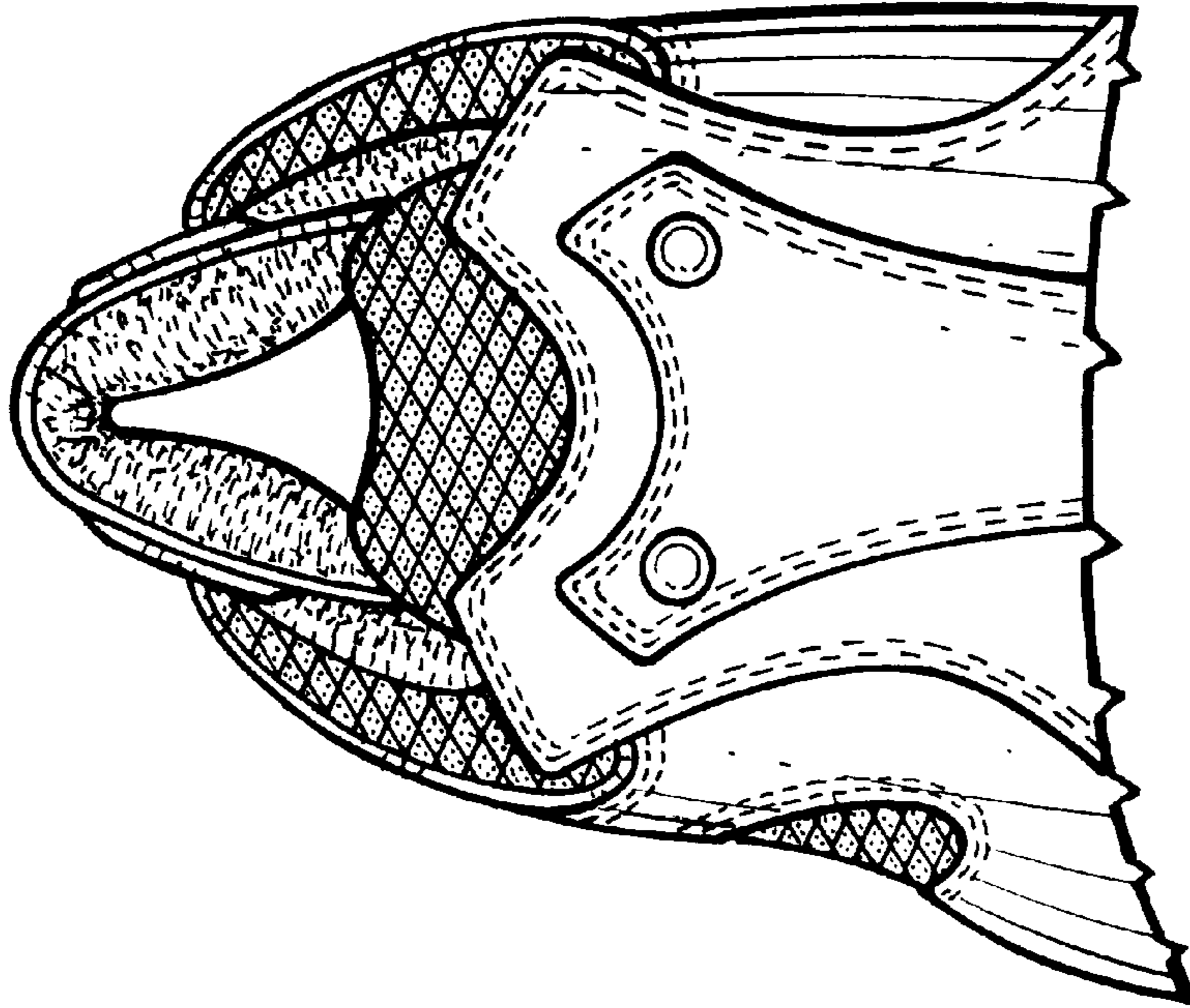


Fig. 6.

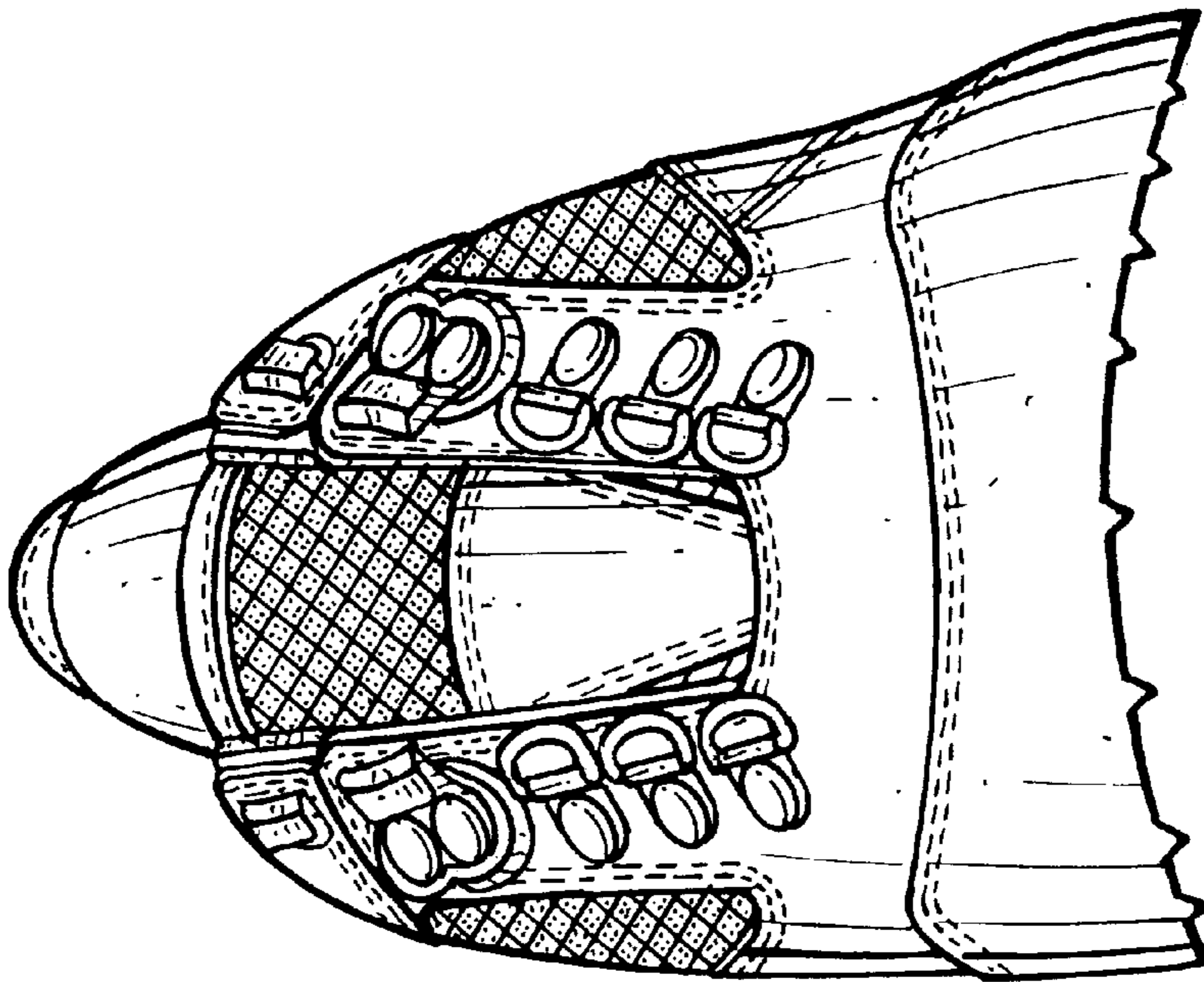


Fig. 5.