



US00D423185S

# United States Patent [19]

Sherman et al.

[11] Patent Number: Des. 423,185

[45] Date of Patent: \*\* \*Apr. 25, 2000

[54] **CHOCOLATE CONFECTION**

[75] Inventors: **Ryan Sherman; David Ryan**, both of Seattle, Wash.

[73] Assignee: **Starbucks Corporation**, Seattle, Wash.

[\*] Notice: This patent is subject to a terminal disclaimer.

[\*\*] Term: **14 Years**

[21] Appl. No.: **29/099,918**

[22] Filed: **Jan. 29, 1999**

[51] **LOC (6) Cl.** ..... **01-01**

[52] **U.S. Cl.** ..... **D1/127**

[58] **Field of Search** ..... D1/127, 128, 129, D1/199, 126, 125, 100; D24/101, 103; D28/8.1; 426/104, 660, 92, 283, 805

[56] **References Cited**

**U.S. PATENT DOCUMENTS**

D. 21,760	8/1892	Mapother .	
D. 40,268	9/1909	Marvin .	
D. 40,269	9/1909	Marvin .	
D. 55,542	6/1920	Wipf .	
D. 67,194	5/1925	Epstein .....	D1/127
D. 70,559	7/1926	Hochstadter .	
D. 88,109	3/1932	Reiche .	
D. 88,226	11/1932	Gold .	
D. 107,317	10/1937	Murguiondo .	
D. 108,546	2/1938	Lazow .	
D. 110,341	7/1938	Carter et al. .	
D. 166,563	1/1952	Peters .	
D. 166,873	5/1952	Peters .	
D. 179,214	11/1956	Peters .	
D. 188,694	8/1960	Freeman .	
D. 194,576	2/1963	Herman .	
D. 195,658	7/1963	Merritt .	
D. 205,572	8/1966	Davies .	

D. 223,759	6/1972	File et al. ....	D24/101
D. 250,556	12/1978	Shorin et al. .	
D. 279,402	6/1985	Lane et al. .	
D. 288,140	2/1987	Fontlladosa .	
D. 315,435	3/1991	Kirkpatrick et al. .	
D. 329,114	9/1992	Kesdekoglu .	
D. 334,645	4/1993	Kennedy .	
D. 338,994	9/1993	Kesdekoglu .	
D. 340,121	10/1993	Russell .	
D. 343,269	1/1994	Kirkham .....	D1/199
D. 347,515	6/1994	Creighton et al. .	
D. 357,338	4/1995	Bornhorst .	
D. 372,351	8/1996	Margolis .	
D. 376,038	12/1996	Pearce .	
D. 395,150	6/1998	Yang .	
787,887	4/1905	Baker .	
1,850,560	5/1932	Middendorf .	
5,447,584	9/1995	Shakespeare et al. .	

**OTHER PUBLICATIONS**

Belusa Chocolate, 1987 #31 Candy.  
The Candy Cookbook, 1995 p. 47. Rectangular Candy pieces.

*Primary Examiner*—Pamela Burgess  
*Attorney, Agent, or Firm*—Christensen O'Connor Johnson & Kindness PLLC

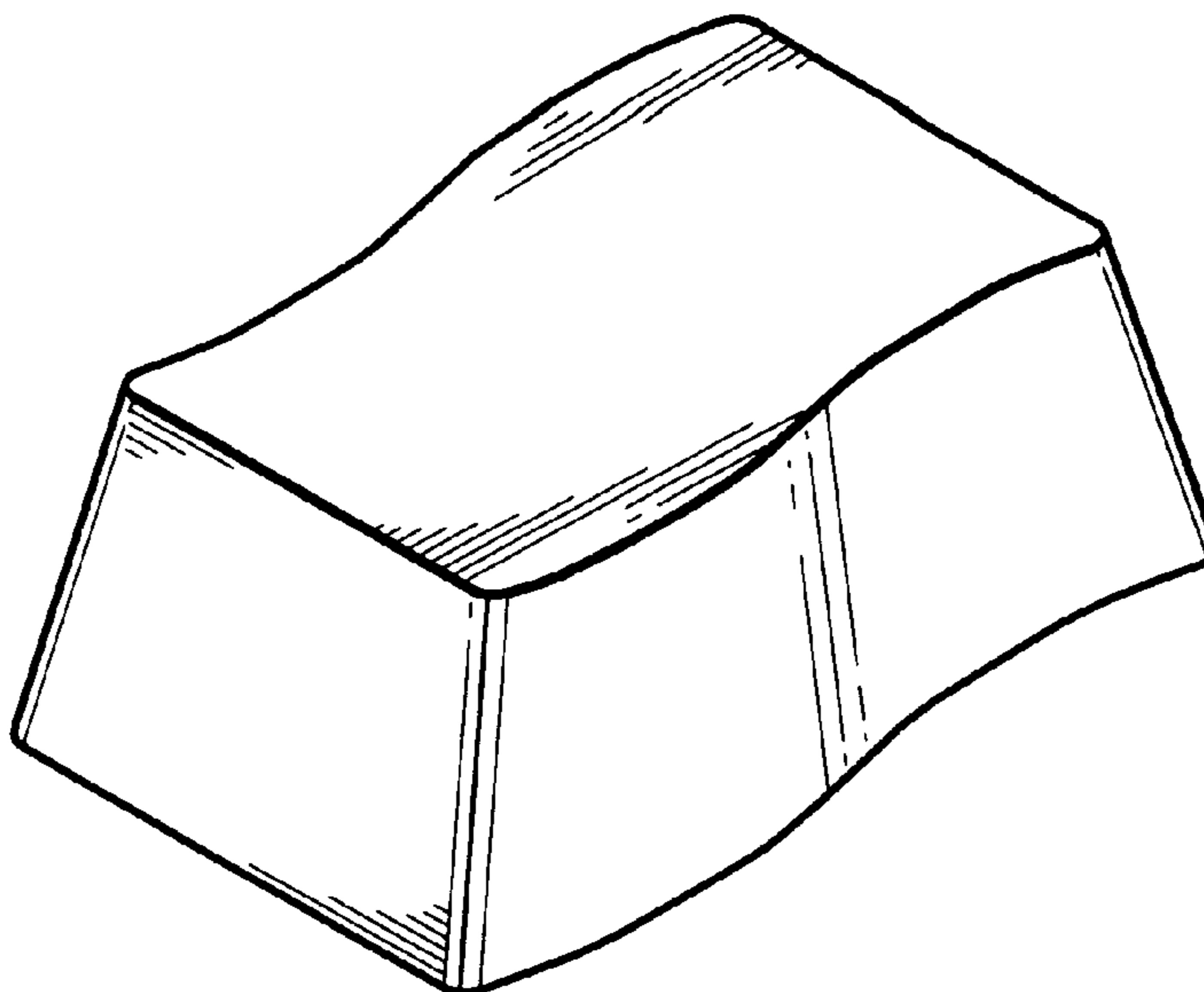
[57] **CLAIM**

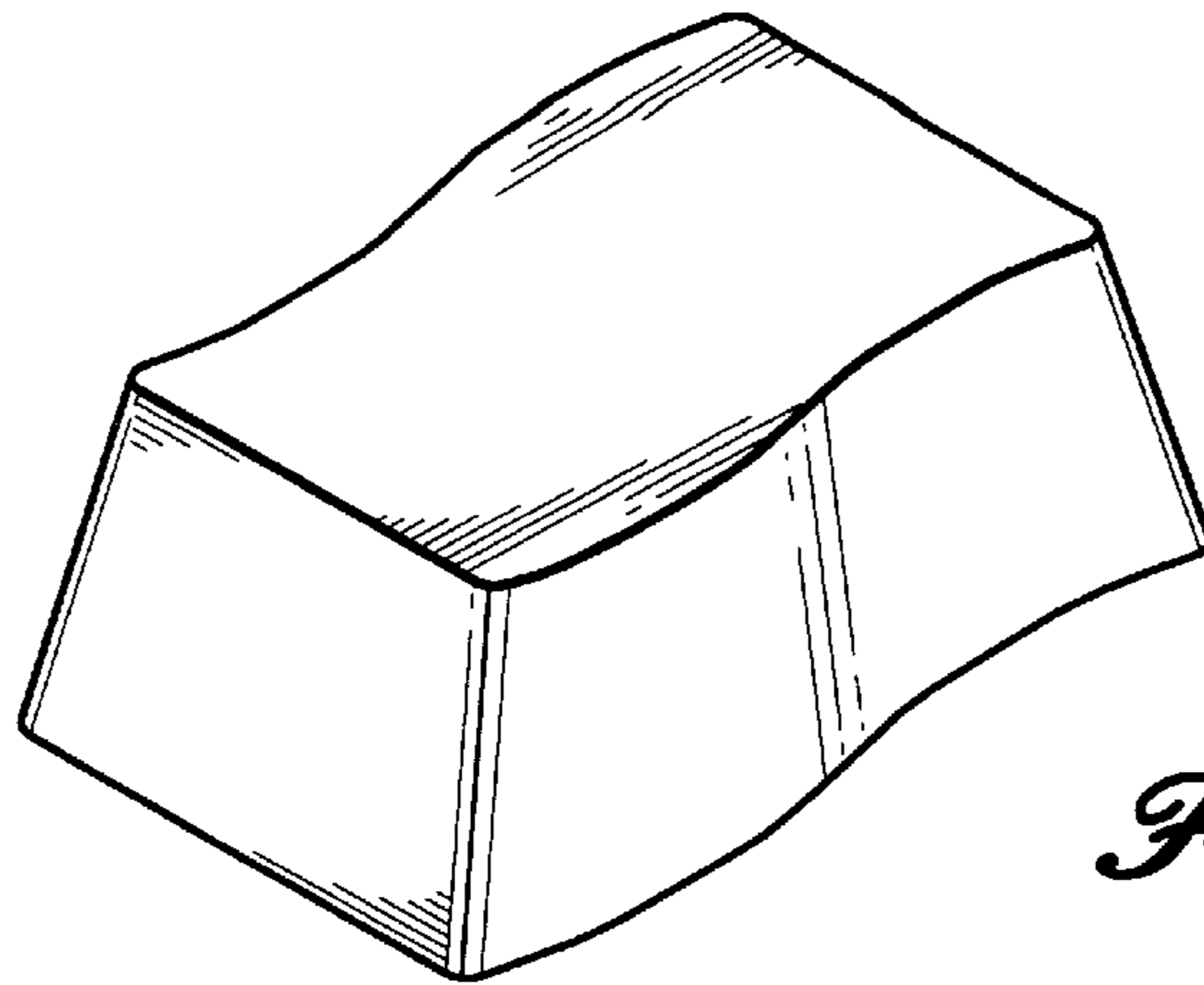
We claim the ornamental design for a chocolate confection, as shown and described.

**DESCRIPTION**

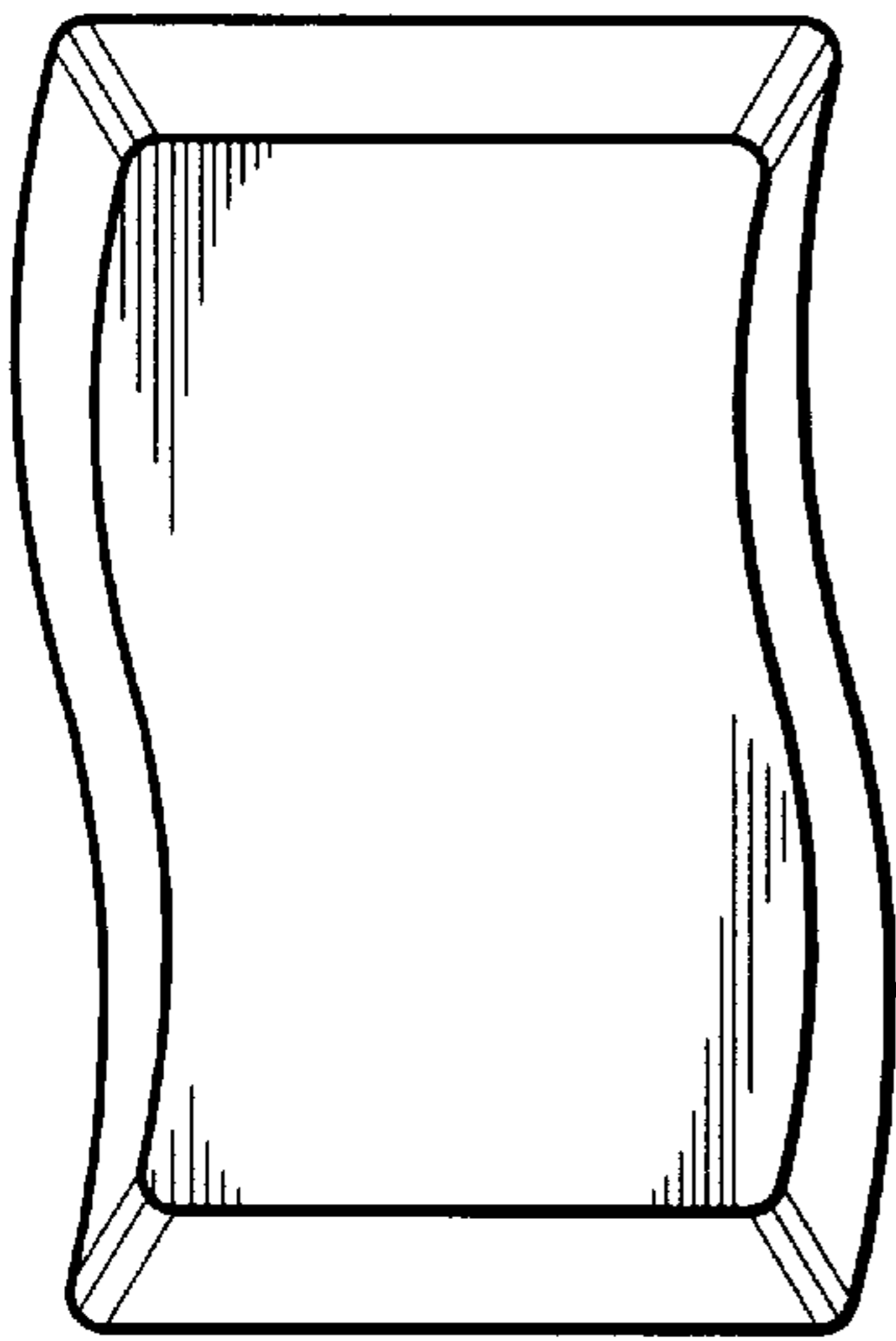
FIG. 1 is a front, left side perspective view of our new chocolate confection;  
FIG. 2 is a top view thereof;  
FIG. 3 is a bottom view thereof;  
FIG. 4 is a left side view thereof, the right side being the same; and,  
FIG. 5 is a front view thereof, the back side being the same.

**1 Claim, 1 Drawing Sheet**

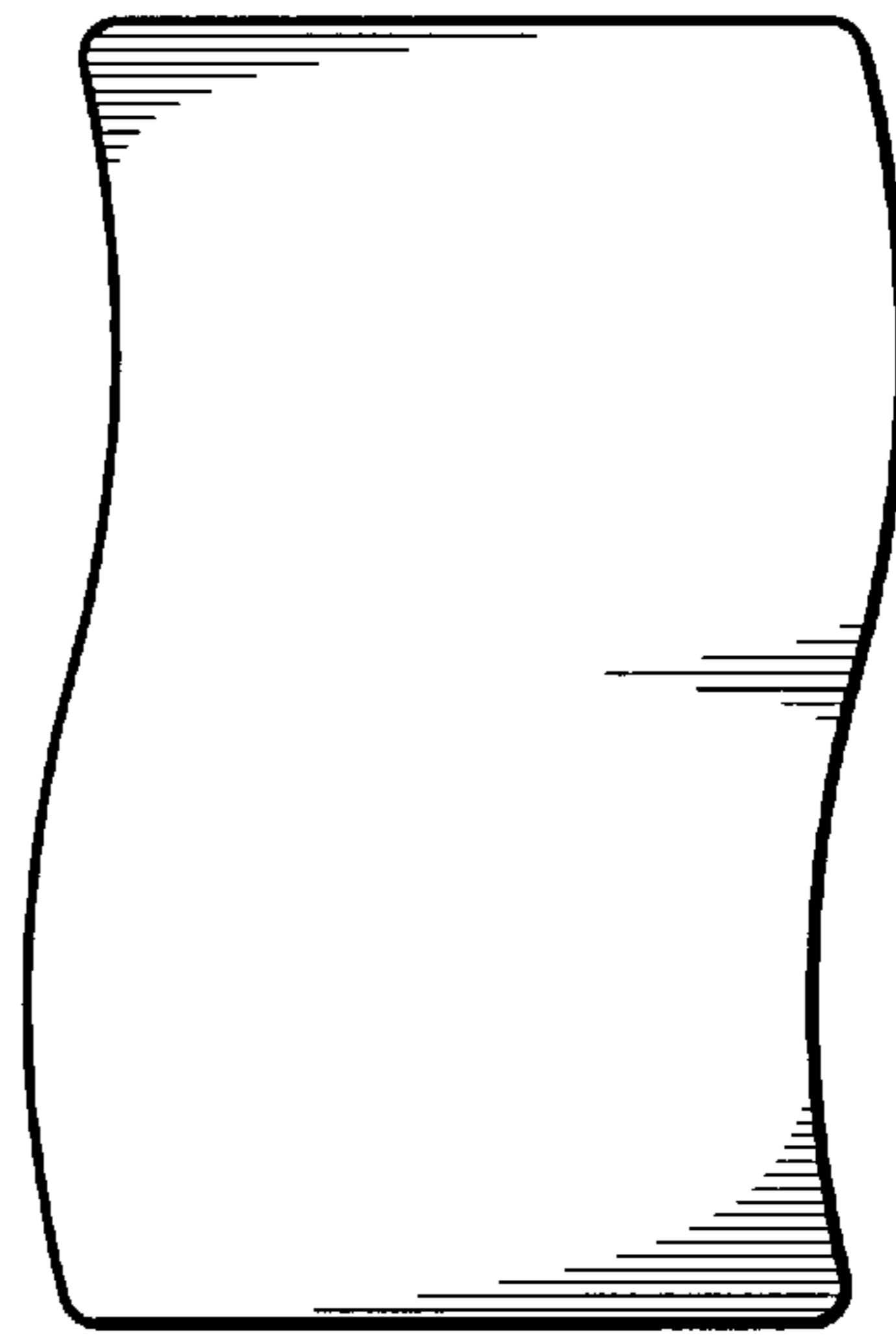




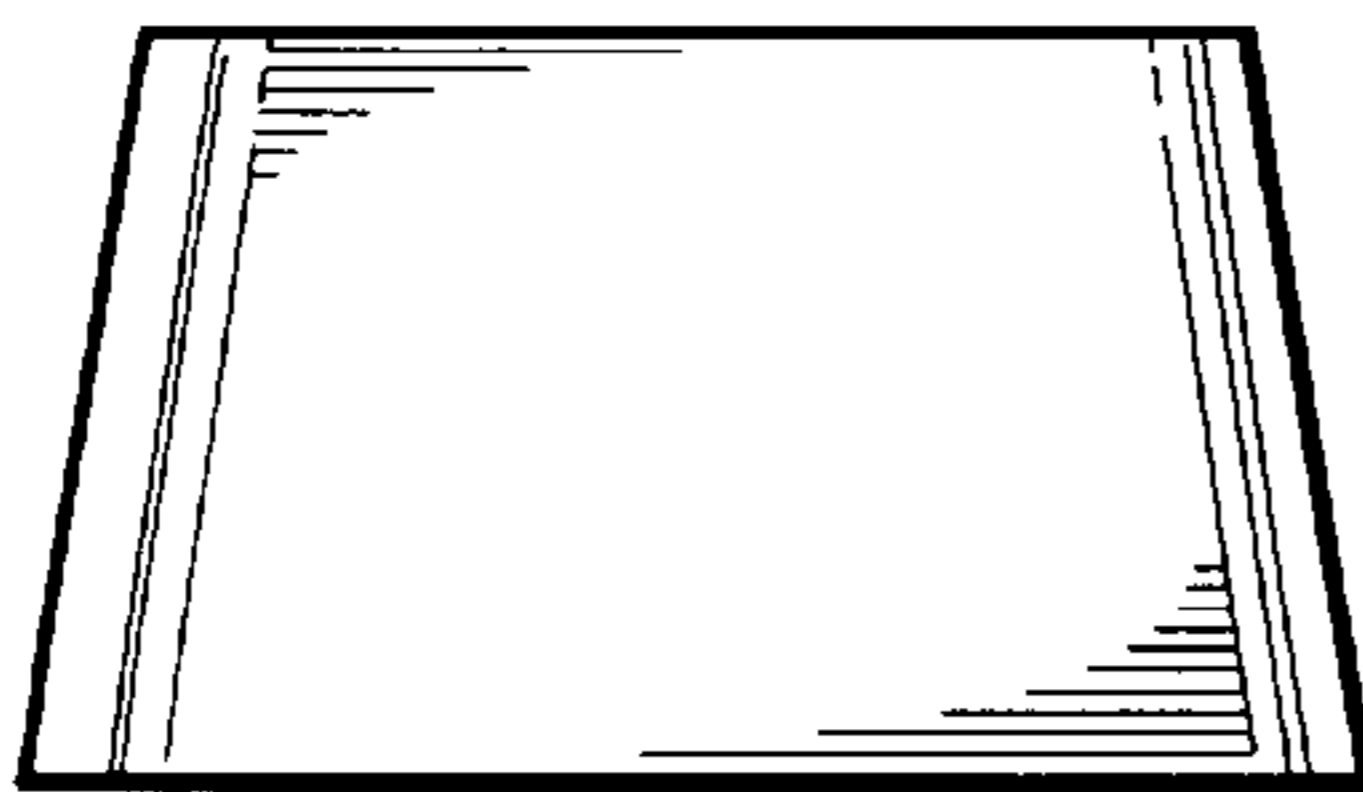
*Fig. 1*



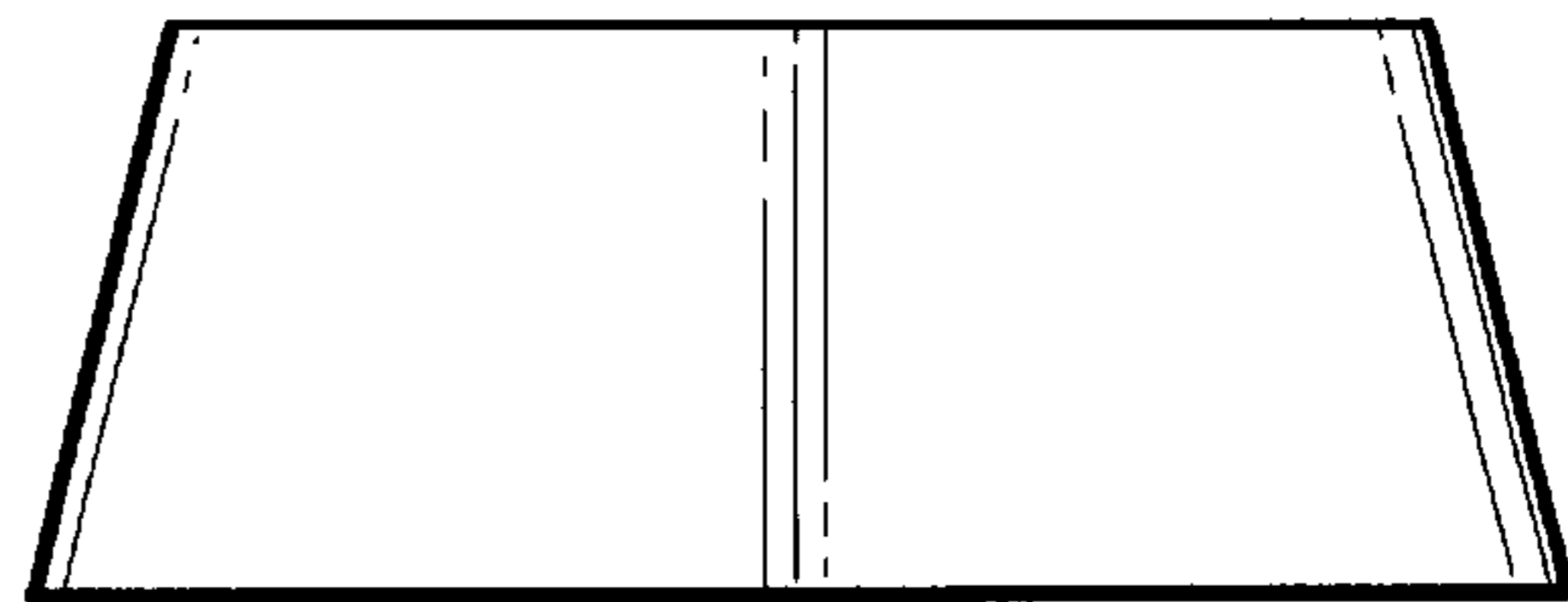
*Fig. 2*



*Fig. 3*



*Fig. 4*



*Fig. 5*