



US00D423182S

United States Patent [19] Klein

[11] Patent Number: Des. 423,182

[45] Date of Patent: ** *Apr. 18, 2000

[54] MAILBOX

[76] Inventor: Theodore K. Klein, 12310 Austin, Palos Heights, Ill. 60463

[*] Notice: This patent is subject to a terminal disclaimer.

[**] Term: 14 Years

[21] Appl. No.: 29/103,543

[22] Filed: Apr. 16, 1999

[51] LOC (6) Cl. 99-00

[52] U.S. Cl. D99/30

[58] Field of Search D99/29, 30; 232/17, 232/19, 20, 21, 22, 27; D25/233, 56; 52/518, 233; 446/106

[56] References Cited

U.S. PATENT DOCUMENTS

D. 158,292	4/1950	Keeler	D99/30
D. 166,749	5/1952	Heinz	D99/30
D. 256,287	8/1980	McConnell	D99/30
D. 291,937	9/1987	Fisher	D99/30
D. 296,602	7/1988	KLein	.	
D. 354,611	1/1995	Hazlett	D99/30
5,035,356	7/1991	Granger	232/17
5,143,284	9/1992	Socarras	232/21

OTHER PUBLICATIONS

Smithsonian, Top Mailbox, Shingle Roof p. 189, Nov. 1989.
 Home, Middle Right, Copper Top p. 22, Feb. 1996.
 Klein, Theodore K., AH 3 Plain Sides, Flat Roof, 1986, U.S.A.
 Klein, Theodore K., AH 5 Lattice Sides, Flat Roof, 1986, U.S.A.
 Klein, Theodore K., AH 12 Plain Sides, Shingled Roof, 1986, U.S.A.
 Klein, Theodore K., AH 14 Log Sides, Shingled Roof, 1986, U.S.A.
 Klein, Theodore K., AH 15 T111 Sides, Shingled Roof, 1986, U.S.A.
 Klein, Theodore K., AH 25 Shingled & Side Door For Paper, 1986, U.S.A.

Klein, Theodore K., AH 12K Plain Sides, Kurfed Roof, 1986, U.S.A.
 Klein, Theodore K., AH 14K Log Sides, Kurfed Roof, 1986, U.S.A.
 Klein, Theodore K., AH 15K TK111 Sides, Kurfed Roof, 1986, U.S.A.
 Klein, Theodore K., CH 1 Plain Sides, Plain Roof, 1995, U.S.A.
 Klein, Theodore K., CH 2 Plain Sides, Plain Roof, 1995, U.S.A.
 Klein, Theodore K., CH 3 Grooved Sides, Shingled Roof, 1995, U.S.A.
 Klein, Theodore K., CH 4 Log Sides, Shingled Roof, 1995, U.S.A.
 Klein, Theodore K., CH 5 T111 Sides, Shingled Roof, 1995, U.S.A.
 Klein, Theodore K., CH 2K Plain Sides, Kurfed Roof, 1995, U.S.A.
 Klein, Theodore K., CH 3K Grooves Sides, Kurfed Roof, 1995, U.S.A.
 Klein, Theodore K., CH 4K Log Sides, Kurfed Roof, 1995, U.S.A.
 Klein, Theodore K., CH 5K T111 Sides, Kurfed Roof, 1995, U.S.A.

(List continued on next page.)

Primary Examiner—Paula A. Mortimer
Attorney, Agent, or Firm—Wildman, Harrold, Allen & Dixon; Thomas J. Ring

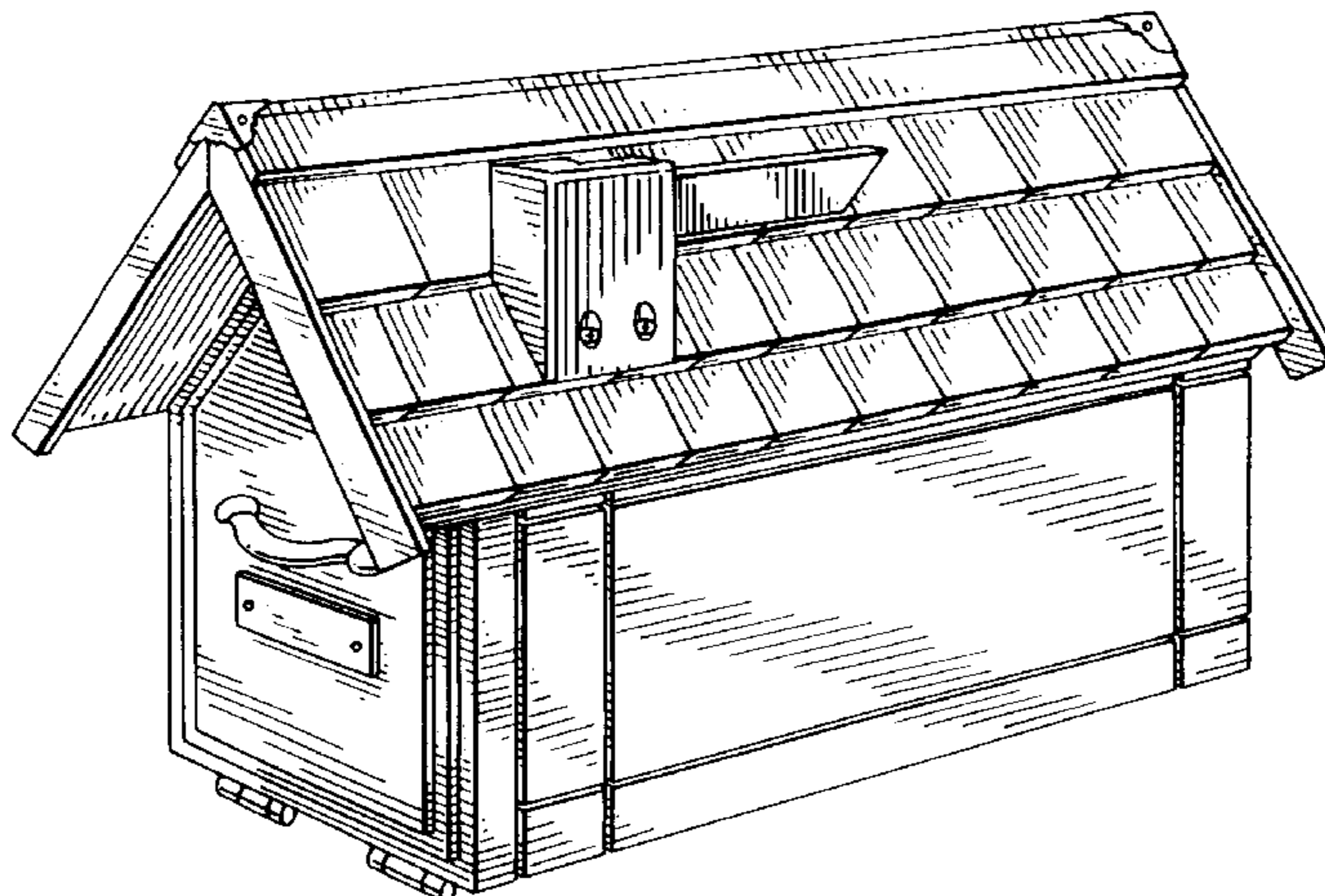
[57] CLAIM

The ornamental design for a mailbox, as shown and described.

DESCRIPTION

FIG. 1 is a perspective view of a mailbox;
 FIG. 2 is a top plan view thereof;
 FIG. 3 is a right side elevational view thereof;
 FIG. 4 is a left side elevational view thereof;
 FIG. 5 is a front elevational view thereof;
 FIG. 6 is a rear elevational view thereof; and,
 FIG. 7 is a bottom plan view thereof.

1 Claim, 2 Drawing Sheets



OTHER PUBLICATIONS

Klein, Theodore K., TK 101 Large Box, 4 Grooved Sides, 1984, U.S.A.

Klein, Theodore, K., TK 102 Medium Box, 3 Grooved Sides, 1984, U.S.A.

Klein, Theodore K., TK 103 Small Box, 2 Grooved Sides, 1984, U.S.A.

Klein, Theodore K., CM 1 Plain Chimney, 1 Window, 1997, U.S.A.

Klein, Theodore K., CM 2 Plain Chimney, 2 Windows, 1997, U.S.A.

Klein, Theodore K., CM 3 Plain Chimney, 3 Windows, 1997, U.S.A.

Klein, Theodore K., CM 4 Stone Chimney, 4 Windows, 1997, U.S.A.

FIG. 1

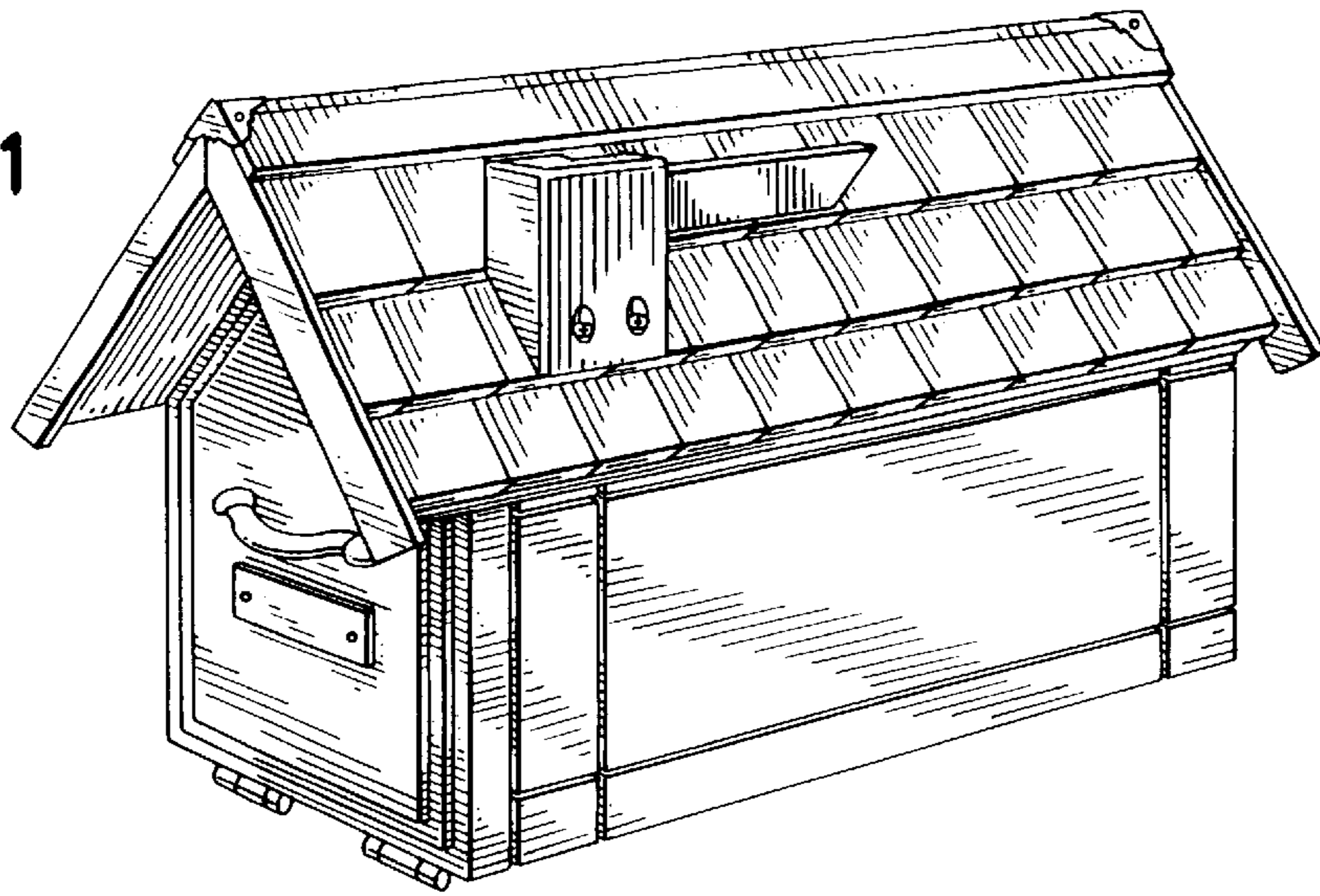


FIG. 2

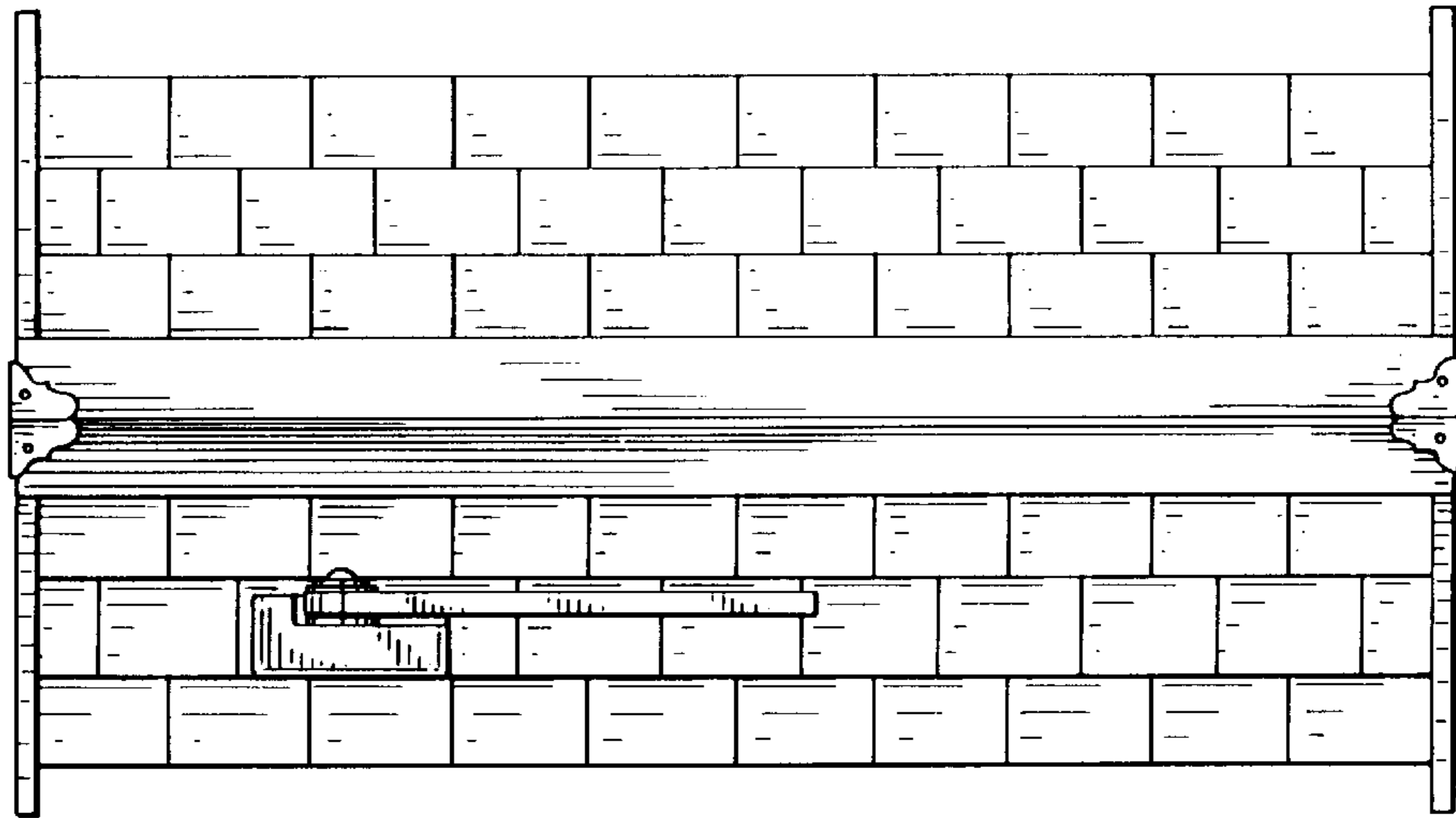


FIG. 3

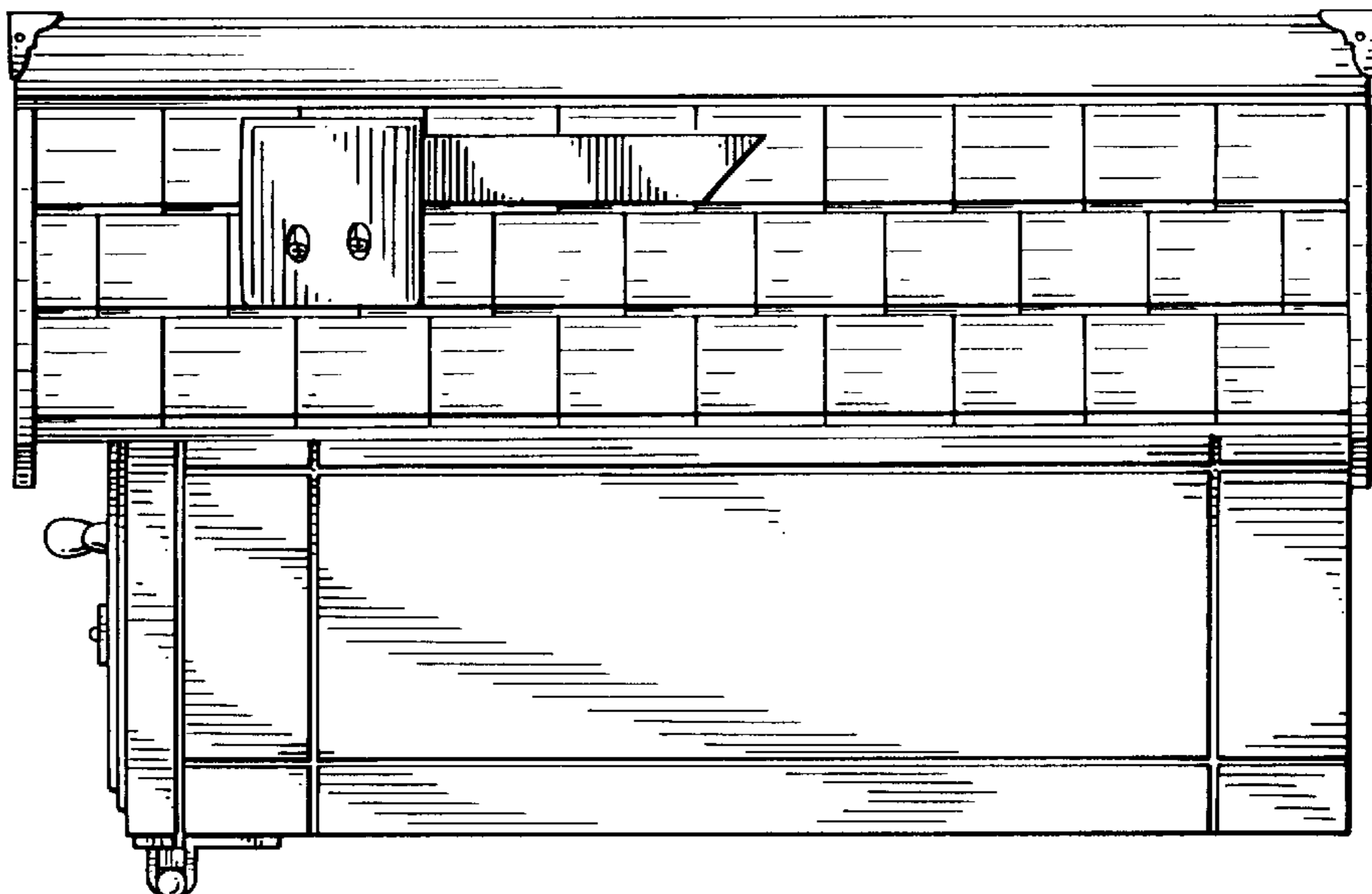


FIG. 4

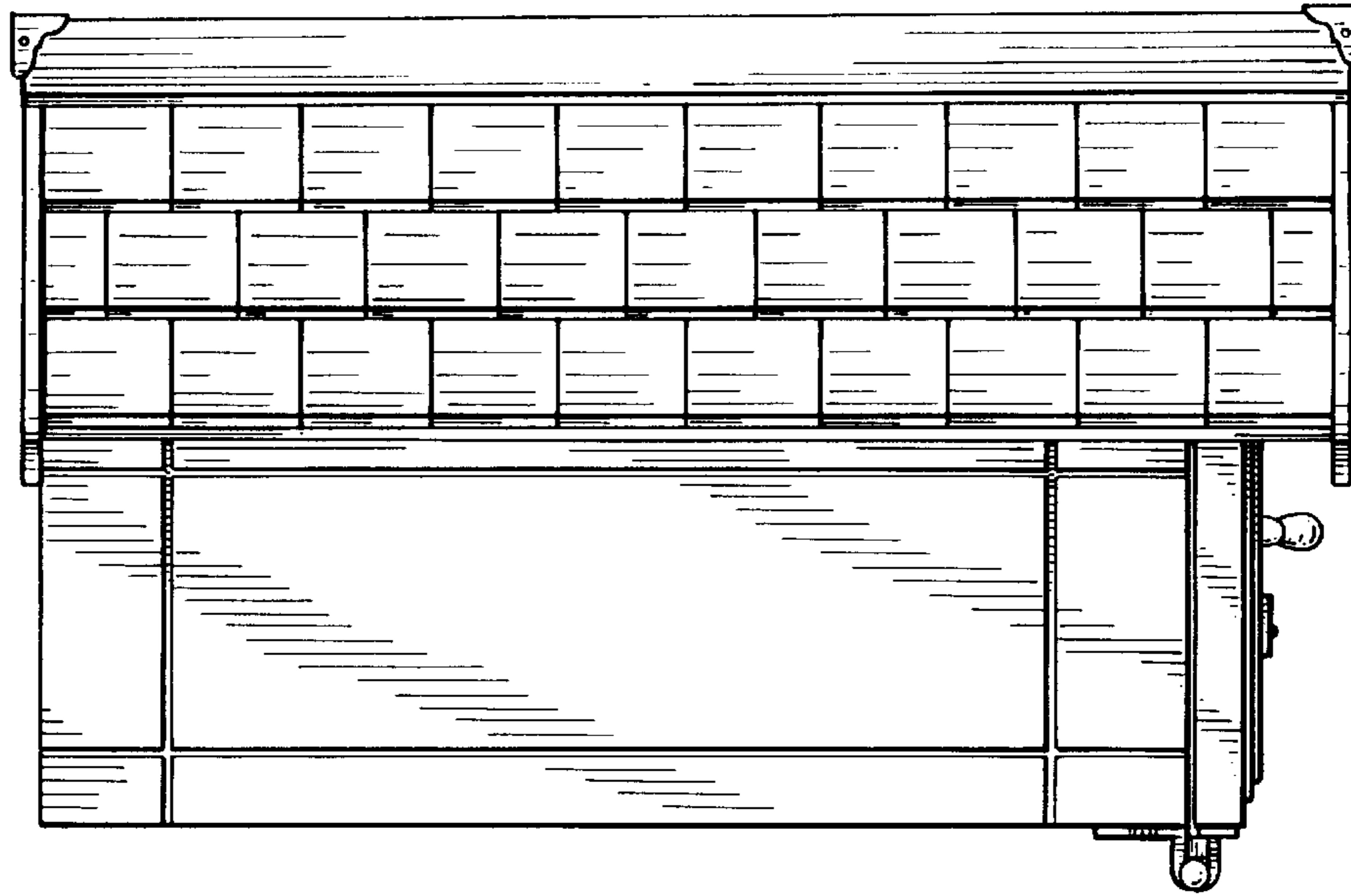


FIG. 5

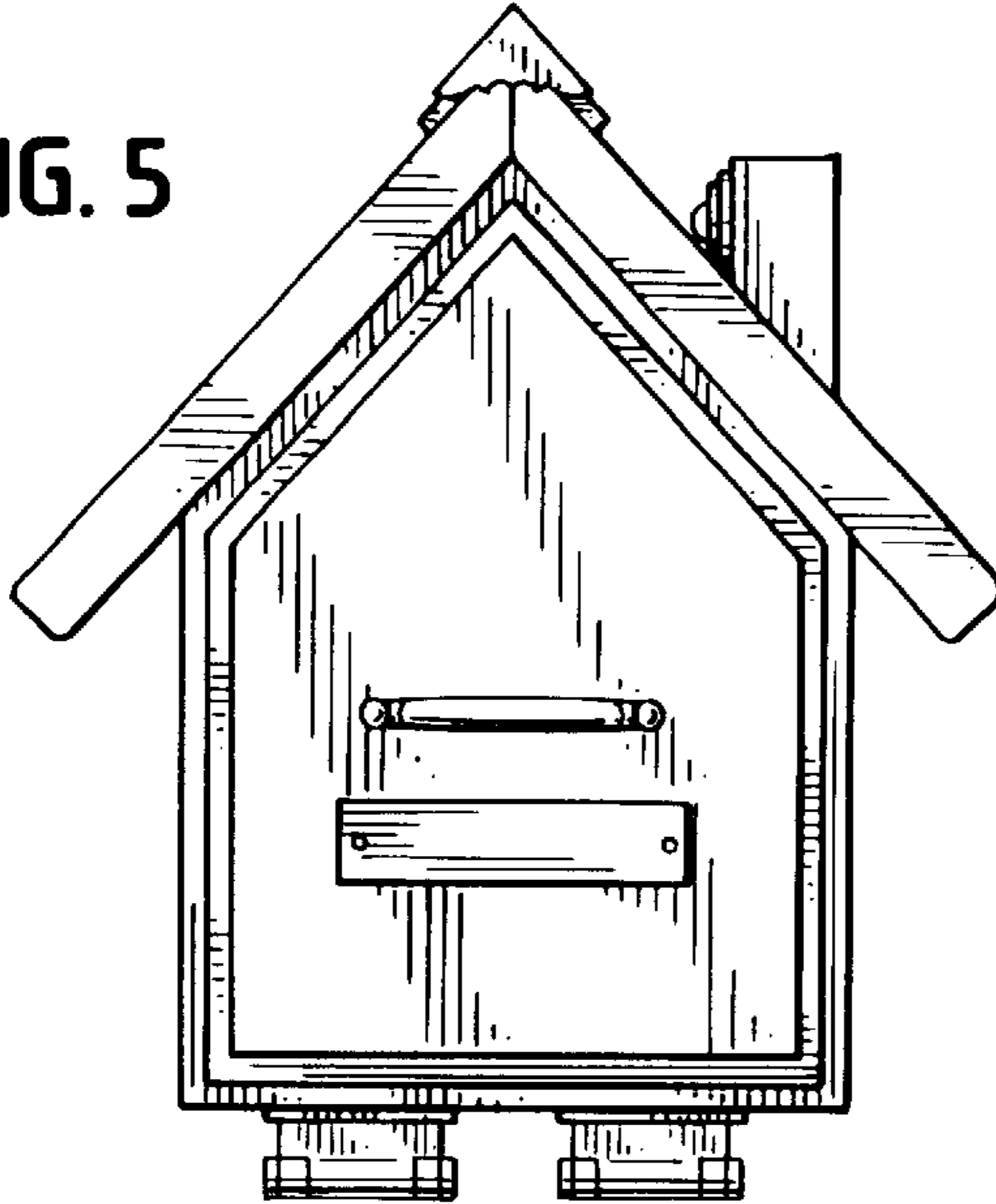


FIG. 6

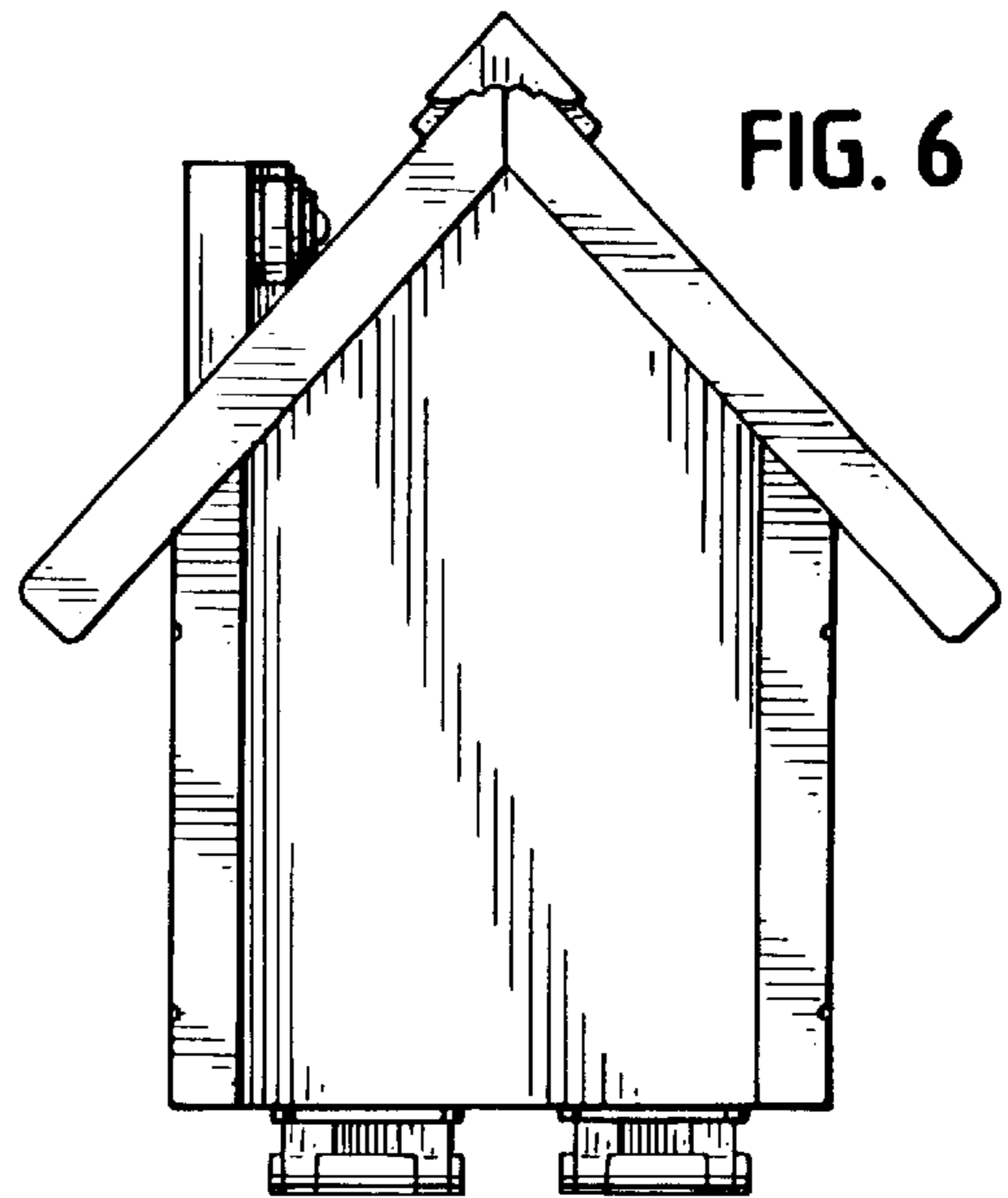


FIG. 7

